

SLIMA HO

LED COMMERCIAL DOWNLIGHT

Recessed Wafer | 4" Round

The SLIMA HO Series LED downlight the ideal recessed downlight for any retrofit or new construction project. The spring-action housing clips facilitates the installation process for any power option. The SLIMA downlights has a selectable CCT switch enabling to change the color projection from 2700K to 5000K, offering an unparalleled level of flexibility. It is characterized by the high lumen output

Application: Office | Retail | Hotels | Restaurants | Residential | Library

	DATE	QTY	ACC. QTY	TYPE
PROJECT				
PN				
ACCESSORY PN				
NOTES				



DYNAMIC MENU

Order Information	Page 2
Dimensions	Page 3
Accessories	Page 4
Photometric Data	Page 6

[Install Instruction link](#)

SPECIFICATIONS

Input Voltage	120V
Power Factor	>0.9
Total Harmonic Distortion	<20%
Dimming Page 6	TRIAC
CRI	90 CRI
CCT	<div style="display: flex; gap: 10px;"> <div style="border: 1px solid gray; border-radius: 50%; width: 25px; height: 25px; background-color: #fff9c4; display: flex; align-items: center; justify-content: center;">27K</div> <div style="border: 1px solid gray; border-radius: 50%; width: 25px; height: 25px; background-color: #fff176; display: flex; align-items: center; justify-content: center;">30K</div> <div style="border: 1px solid gray; border-radius: 50%; width: 25px; height: 25px; background-color: #fff9c4; display: flex; align-items: center; justify-content: center;">35K</div> <div style="border: 1px solid gray; border-radius: 50%; width: 25px; height: 25px; background-color: #e1bee7; display: flex; align-items: center; justify-content: center;">40K</div> </div>
Efficacy	~83
Size	4 inch
Power	12W
Ambient Temperature Range	-20°C to 40°C
Mounting Accessories	New construction Retro-fit
Trim Finish	White



Distribution



PRODUCT FEATURES



PRODUCT CERTIFICATIONS



SYSTEM WARRANTY – 5 YEARS

Eralux will warrant defective drivers, LEDs and boards for 5 years from the date of purchase. This warranty is valid only if the fixture is installed and used as per installation guides and specifications. If a defect is present, Eralux will send drivers and boards at no fee with a thorough replacement instructions along with instructions on the return of the defective parts back to Eralux.

LUMEN MAINTENANCE – L70 at 50,000 hours

Rated for 70% initial lumen output at 50,000 hours of operation, operated at 25°C ambient temperature; per guidelines published by the Illuminating Engineering Society (IES).

ORDERING GUIDE

AE-DL-SLHO	-04	-12W	-TRIAC	-P2750	-WH
AE-DL-SLHO ERALUX Slima HO Commercial Recessed Wafer Downlight	-04 4 inches	-12W 12W 1000 lm	-TRIAC TRIAC Dimming	-P2750 CCT Switchable 27/30/35/40/50K	-WH White

Fixture Family	Size	Power	Controls	CCT	Finish
----------------	------	-------	----------	-----	--------

ORDERING GUIDE – FRAME KIT

AE-DL-FRKT	-04	-UNV
AE-DL-FRKT ERALUX FRAME KIT Round Downlights	-04 4 Inches	-UNV ¹

Fixture Family	Size	Type
----------------	------	------

1. Junction Box is not included. SLIMA SERIES comes with a junction box by default.

ORDERING GUIDE – EMBB

[BLANK] No EMBB
BLD-HM8D-YYY 8W emergency battery backup
EMBB

SLIMA HO

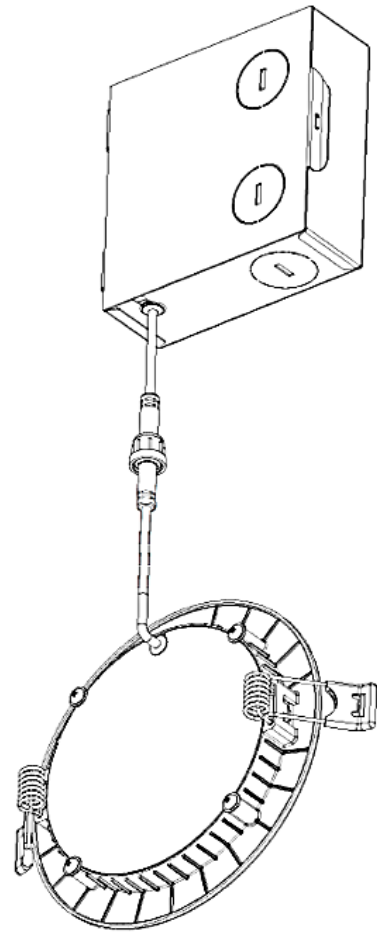
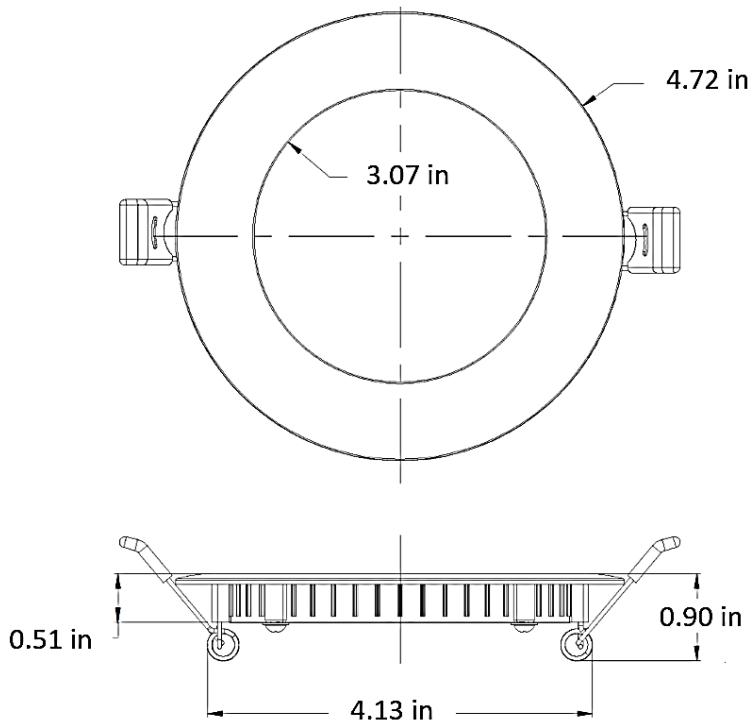
LED COMMERCIAL DOWNLIGHT

Recessed Wafer | 4" Round

DIMENSIONS

FIXTURE

AE-DL-SLHO-04-12W-TRIAC-P2750-WH



Ceiling cut-out:
4.15 – 4.25 in \varnothing

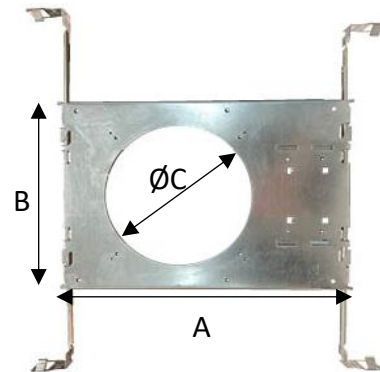
ACCESSORIES

Ordered separately, field installed

NEW CONSTRUCTION UNIVERSAL FRAME KIT

SPECIFICATIONS	
MATERIAL	22-gauge galvanized steel housing
MOUNTING	T Grid Ceiling
	Gypsum Ceiling
	Maximum Thickness ~1.5"
LENGTH (A)	12.75"
WIDTH (B)	8.63"

OPENING SIZE			
ORDERING CODE	SIZE	SHAPE	C
AE-DL-FRKT-04-UNV	4"	Round	Ø 4.5"



CONTROL ACCESSORIES

Ordered separately, field installed

EMERGENCY BATTERY BACK UP - REMOTE

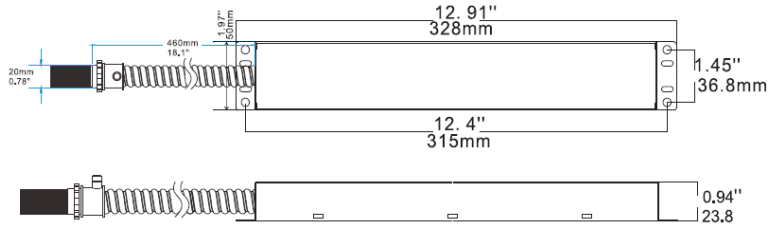
BLD-HM8D-YYY



The BLD-HMXXD-YYY series LED Emergency Driver is UL listed for field and factory installations. It switches to emergency mode during power failures, providing up to 90 minutes of lighting. With an integrated battery, charger, and converter, it delivers 6-25W constant power at 170VDC. Ideal for 0-10V dimmable indoor commercial LED fixtures, such as flat panels, troffers, downlights, and linear strip lights.

SPECIFICATIONS

Input Voltage	100-347 Vac
Power Frequency	50/60HZ
Input Power	8W max
Output Voltage	170V Dc
Output Power	8W
Ambient Temperature	0°C to 50°C
	30°F to 122°F

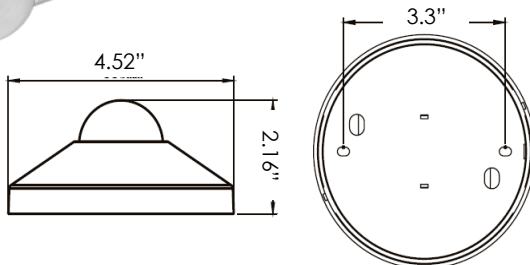


ROOM OCCUPANCY SENSOR

PART NUMBER	DESCRIPTION
AE-CT-DT806	Line Voltage Motion Sensor
RC102	RC102 Remote Control

SPECIFICATIONS

Input Voltage	120-277 Vac	
Power Frequency	50/60HZ	
Rated Load	At 120 Vac	800W
	At 277 Vac	1200W
Detection Range	3-10 Meters	
	9.8-32.8 Feet	
Standby Power	~0.9W	
Time Setting	10 sec to 30 min	
Light Control	10-2,000LUX	
Installation	Ceiling Mounted	



DIMMER COMPATIBILITY LIST

TRIAC Dimming

Brand	Model	Brand	Model
LUTRON	S-600PR-WH	LEVITON	6631-1LW
	CTCL-153PR-WH		6674-POT
	DVWCL-153PH-WH		6672-1LW
	DVCL-153PR-BL		6683-IW
	TG600PR-LA		
	TGCL-153PH-WH		
	CT600P-WH		

LUMENS ESTIMATE

Lumen output varies based on CCT and CRI. An estimate of lumen output of the various CCT/CRI combinations, use correction factors as per table below:

LUMEN ESTIMATE ADJUSTMENT FACTORS				
CCT	2700K	3000K	3500K	4000K
NORMAL	0.97	1	1.03	1.05

PHOTOMETRIC DATA

PART NUMBER		ZONAL LUMEN SUMMARY			POLAR LUMINOUS INTENSITY
AE-DL-SLHO-12W-TRIAC-P2750-WH		Zone	Lumens	% Fixture	Direct Light
Wattage	12W	0-20°	140.62	12.9	
CCT	3500K	0-30°	298.1	27.3	
Distribution	120°	0-40°	487.22	44.6	
		0-60°	857.79	78.6	
		0-80°	1064.94	97.5	
		0-90°	1080.26	98.9	

OVERVIEW



Innovative Design

- The Slim recessed downlight has a full thickness of just 1" allowing it to be used in a variety of application where fixture size and weight plays a decisive role.



Multiple Options

- Available in 4"
- CCT switchable with 5 options from 2700K to 5000K
- White trim finish



Mountings Available

- Fixture comes standard with junction box allowing for excellent cable management reducing installation errors and potential maintenance, facilitating installation.



Accessories

- New construction frame kit.
- Emergency back up battery.



Tests And Certifications

