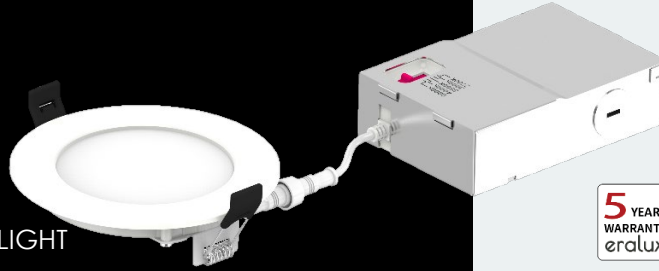


SLIMA

LED COMMERCIAL DOWNLIGHT

Recessed Downlight



eralux®



The **SLIMA** Series LED downlight the ideal recessed downlight for any retrofit or new construction project. The spring-action housing clips facilitates the installation process for any power option. The SLIMA downlights has a selectable CCT switch enabling to change the color projection from 2700K to 5000K, offering an unparalleled level of flexibility. It has several Sizes ; 4 and 6 inches in both white and black finish.

DATE	
PROJECT NAME	
TYPE	
QTY	
ORDERING CODE	AE-DL-SL - -

OPERATING & ELECTRICAL

INPUT VOLTAGE	120Vac
POWER FACTOR	0.9
DIMMING	TRIAC
TOTAL HARMONIC DISTORTION (THD)	<20%

PERFORMANCE

LUMENS PER WATT	75 LPW
BEAM ANGLE	Lambertian

MECHANICAL & HOUSING

HOUSING	Aluminum
LENS	Highly durable polycarbonate and high transmittance lens
FINISH	White or black powder coat finish
POWER SUPPLY	Factory wired electronic LED driver
SPRING	Stainless steel spring-action clips

APPLICATION CONDITION

AMBIENT TEMPERATURE RANGE	-20°C to 40°C
PROTECTION	Wet location rated, IC rated

COMPATIBLE MOUNTING

MOUNTING	New construction or retrofit. Mounted with stainless steel spring-action housing clips.
----------	---

WARRANTY

SYSTEM WARRANTY – 5 YEARS

Eralux will warrant defective drivers, LEDs and boards for 5 years from the date of purchase. This warranty is valid only if the fixture is installed and used as per installation guides and specifications. If a defect is present, Eralux will send drivers and boards at no fee with a thorough replacement instructions along with instructions on the return of the defective parts back to Eralux.

LUMEN MAINTENANCE – L70 at 50,000 hours

Rated for 70% initial lumen output at 50,000 hours of operation, operated at 25°C ambient temperature; per guidelines published by the Illuminating Engineering Society (IES).

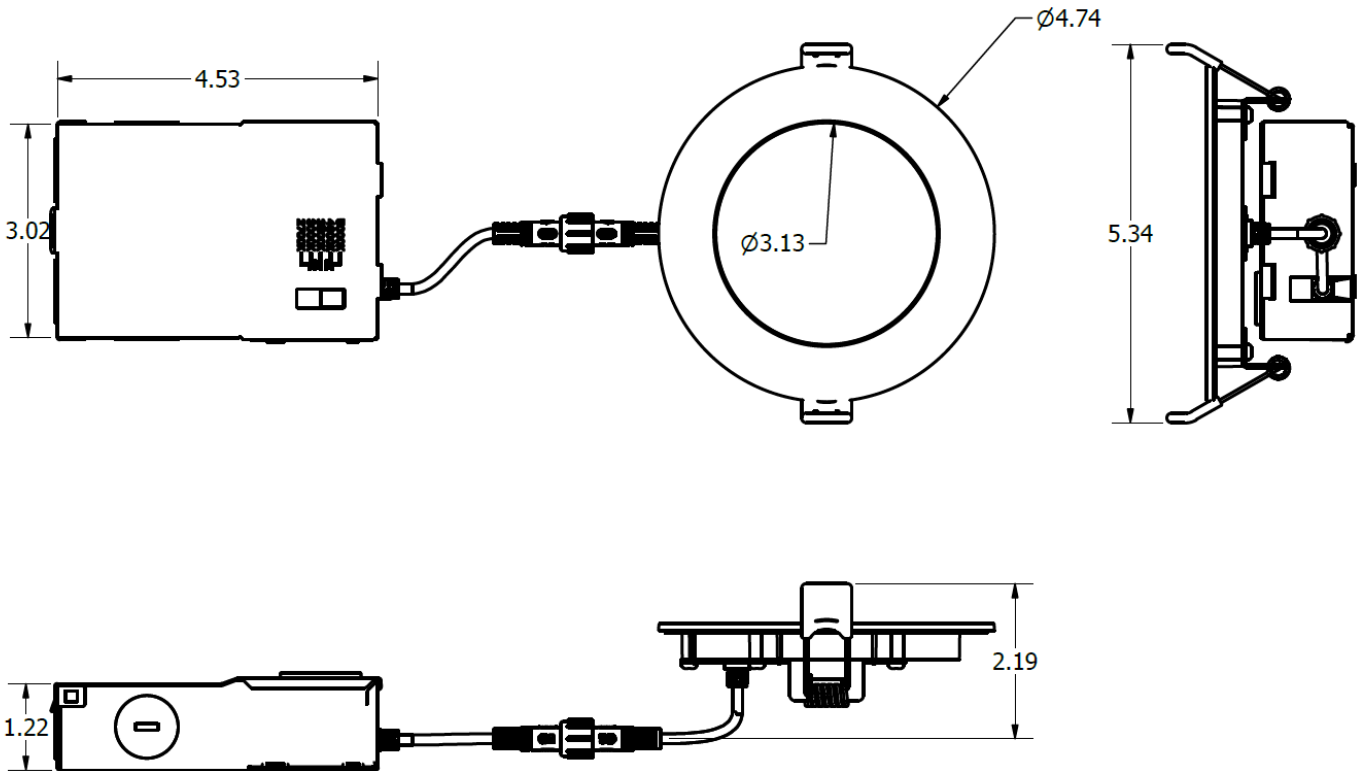
DATE			
PROJECT NAME			
TYPE			
QTY			
ORDERING CODE	AE-DL-SL	-	-

ORDERING GUIDE

FIXTURE FAMILY	SHAPE & SIZE	FINISH
AE-DL-SL-	-	-
AE-DL-SL SLIMA Series recessed downlight TRIAC dimming 2700K/3000K/3500K/4000K /5000K CCT switchable	04- 4" Round housing 9W:650lms	BK Black Finish
	06- 6" Round housing 14W:1150lms	WH White Finish

PRODUCT DIMENSIONS

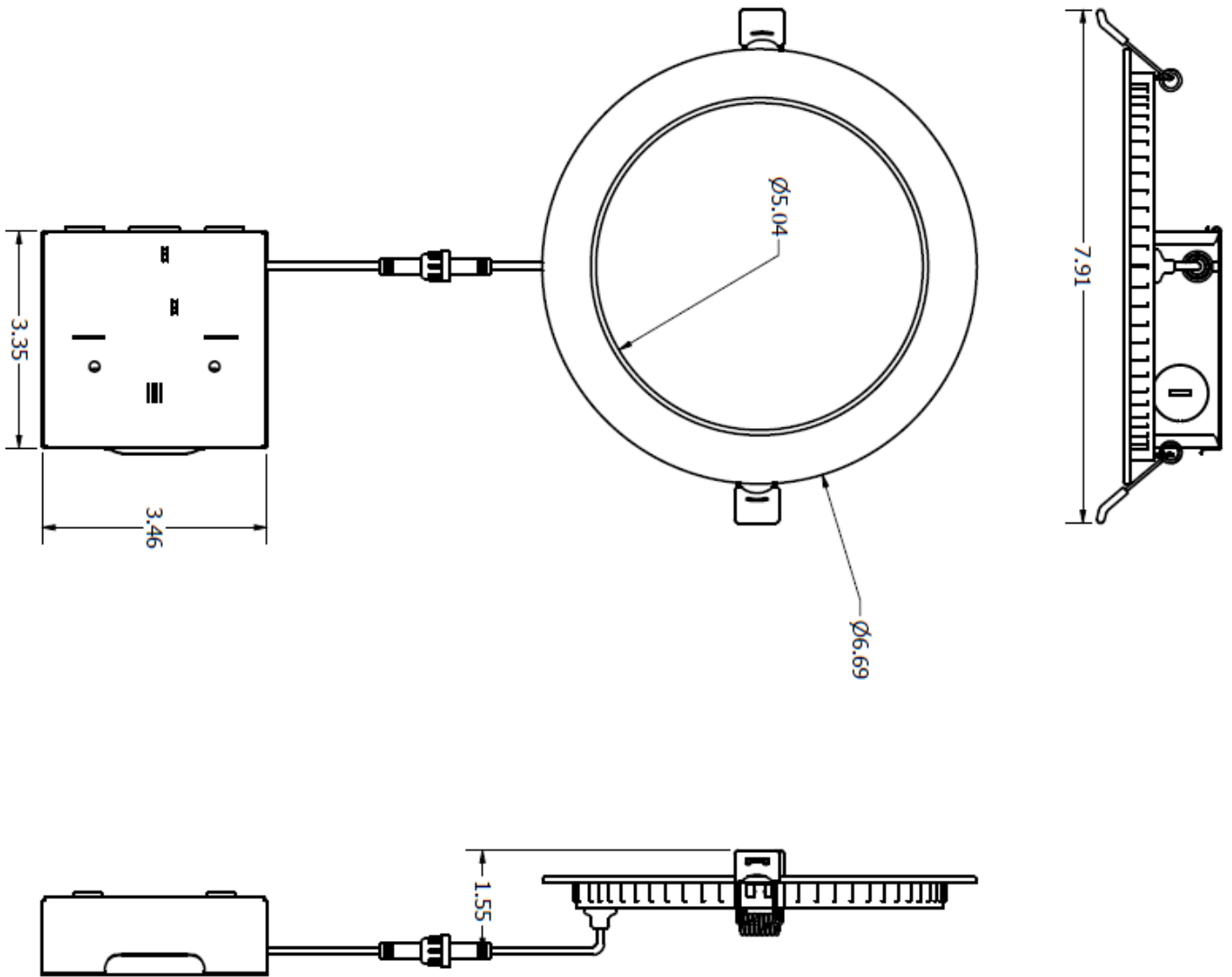
AE-DL-SL-04-XX



DATE			
PROJECT NAME			
TYPE			
QTY			
ORDERING CODE	AE-DL-SL	-	-

PRODUCT DIMENSION

AE-DL-SL-06-XX



DATE			
PROJECT NAME			
TYPE			
QTY			
ORDERING CODE	AE-DL-SL	-	-

ACCESSORIES

Ordered separately, field installed

NEW CONSTRUCTION UNIVERSAL FRAME KIT

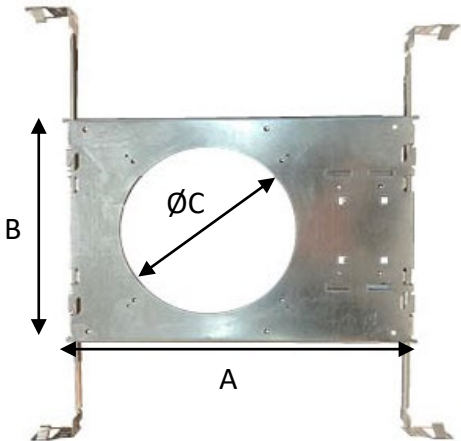


MATERIAL 22-gauge galvanized steel housing

MOUNTING T-bar or drywall ceilings
Up to 1.5" thick

Ordering Code AE-DL-FRKT-04-UNV

FRAME KIT DIMENSIONS



DIMENSIONS

4" Round	A	12.75" [324 mm]
	B	8.63" [219 mm]
	C	Ø 4.50" [114 mm]
6" Round	A	12.75" [324mm]
	B	8.63" [219 mm]
	C	Ø 6.37" [162 mm]
8" Round	A	12.75" [324mm]
	B	8.63" [219 mm]
	C	Ø 7.25" [184 mm]

DATE			
PROJECT NAME			
TYPE			
QTY			
ORDERING CODE	AE-DL-SL	-	-

ACCESSORIES (Continued)

Ordered separately, field installed

NEW CONSTRUCTION FRAME KIT

AE-DL-FRKT-04

4" Round

Housing Constructed of 22-gauge galvanized steel. For use in direct contact with thermal insulation.

Junction box 22-gauge galvanized steel with 2 Snap-On covers with knockouts for 1/2" & 3/4" conduits.

Hanger bars Pre-nailed style bar hangers that telescope from 15" to 26" suitable for short or long axis of housing.

EMERGENCY LED DRIVER (BLD-HMXXD-YYY)

BLD-HM8D-YYY

OUTPUT POWER : 8 WATTS

BLD-HM25D-YYY

OUTPUT POWER : 25 WATTS



Single Flex(Standard)

Easy Wiring

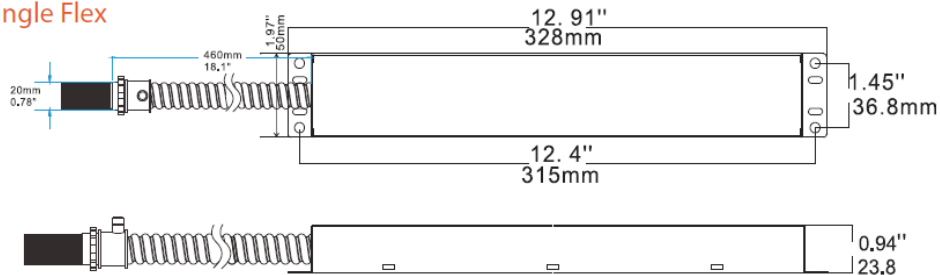
Certified For CA Title 20

Constant Power Performance

BLD-HMXXD-YYY series LED Emergency Driver is UL listed for field and factory installation that allows the same LED fixture to be used for both normal and emergency operation . In the event of a power failure , the emergency driver switches to emergency mode and operates the existing. Fixture to 90 minutes. The unit contains a battery , charge , and converter circuit in a single enclosure .This module will operate an LED array load at 6-25W with constant power at a rated output voltage of 170VDC. The constant power design of BLD-HMXXD-YYY maintains the output wattage to LED array, providing consistent illumination for entire emergency runtime. Ideal for use with most 0-10V dimmable indoor commercial LED lighting fixtures, such as LED flat panel, troffer, downlight and suspension mounting LED linear strip lights, etc.

DIMENSIONS (inches and mm)

Single Flex



DATE			
PROJECT NAME			
TYPE			
QTY			
ORDERING CODE	AE-DL-SL	-	-

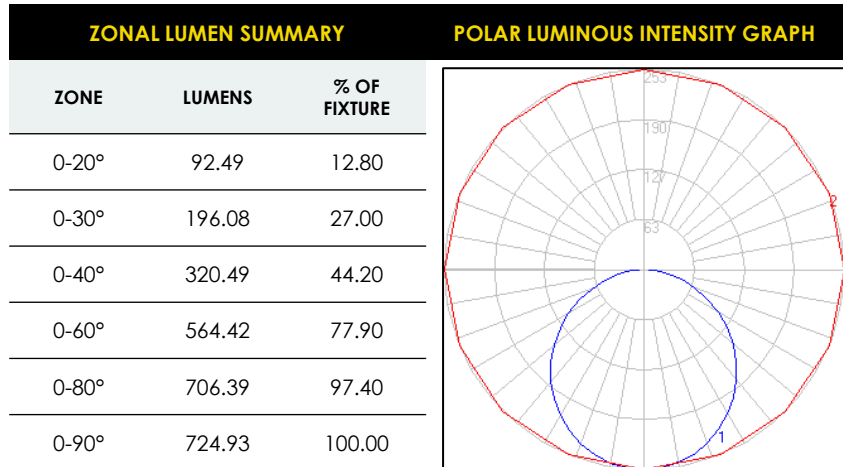
LUMEN ESTIMATE

Lumen output varies based on CCT and CRI. An estimate of lumen output of the various CCT/CRI combinations, use correction factors as per table below:

LUMEN ESTIMATE ADJUSTMENT FACTORS				
CCT	2700K	3000K	3500K	4000K
NORMAL	0.97	1	1.03	1.05

PHOTOMETRIC DATA

AE-DL-SL-04 (9W, 3500K)



DIMMER COMPATIBILITY LIST

Dimmer: Low Line (120V/100V) TRIAC
LUTRON -S-600PR-WH
LUTRON-CTCL-153PR-WH
LUTRON-DVWCL-153PH-WH
LUTRON-DVCL-153PR-BL
LUTRON-TG600PR-LA
LUTRON-TGCL-153PH-WH
LUTRON-CT600P-WH
LEVITON-6631-1LW
LEVITON-6674-POT
LEVITON-6672-1LW
LEVITON-6683-IW

DATE			
PROJECT NAME			
TYPE			
QTY			
ORDERING CODE	AE-DL-SL	-	-

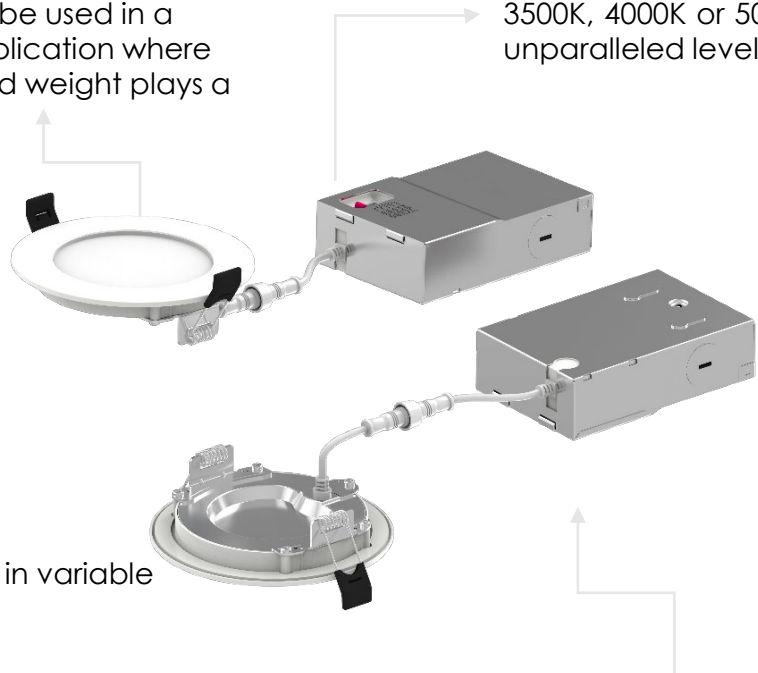
OVERVIEW

ULTRA-THIN PROFILE

The Slim recessed downlight has a full thickness of just 1" allowing it to be used in a variety of application where fixture size and weight plays a decisive role.

SELECTABLE CCT

With a simple switch, the CCT can be changed to 2700K, 3000K, 3500K, 4000K or 5000K, offering an unparalleled level of flexibility.



MULTIPLE SIZES

The Slima Series come in variable sizes ; 4- and 6-inches.



EASY INSTALLATION

Fixture comes standard with junction box allowing for excellent cable management reducing installation errors and potential maintenance, facilitating installation.

