

SLIMA

LED COMMERCIAL DOWNLIGHT

Recessed Wafer | 4" & 6" Round

The SLIMA Series LED downlight is ideal for both retrofit and new constructions. Its spring-action housing clips make easy installation, selectable CCT switch lets you adjust the color temperature from 2700K to 5000K. Available in 4" & 6" sizes, it comes in white and black finishes, providing a versatile lighting option for any space.

Applications: Office | Retail stores | Hotels | Restaurants | Home interior | Library Etc.

eralux®

	DATE	QTY	ACC. QTY	TYPE
PROJECT				
PN				
ACCESSORY PN				
NOTES				




DYNAMIC MENU

Order Information	Page 2
Dimensions	Page 3
Accessories	Page 4
Photometric Data	Page 6

[Install Instruction link](#)

SPECIFICATIONS

Input Voltage	120V		
Power Factor	>0.9		
Total Harmonic Distortion	<20%		
Dimming Page 6	TRIAC		
CRI	80 - 90 CRI		
CCT	<div style="display: flex; gap: 10px;"> 27K 30K 35K 40K 50K </div>		
Efficacy	~78 LPW or ~100 LPW		
Size	<table border="1" style="width: 100%;"> <tr> <td style="width: 50%;">4"</td> <td style="width: 50%;">6"</td> </tr> </table>	4"	6"
4"	6"		
Power	<table border="1" style="width: 100%;"> <tr> <td style="width: 50%;">9W</td> <td style="width: 50%;">14W</td> </tr> </table>	9W	14W
9W	14W		
Ambient Temperature Range	-20°C to 40°C		
Mounting Accessories	New construction Retro-fit		
Trim Finish	White Black		
Distribution			



PRODUCT FEATURES



PRODUCT CERTIFICATIONS



SYSTEM WARRANTY – 5 YEARS

Eralux will warrant defective drivers, LEDs and boards for 5 years from the date of purchase. This warranty is valid only if the fixture is installed and used as per installation guides and specifications. If a defect is present, Eralux will send drivers and boards at no fee with a thorough replacement instructions along with instructions on the return of the defective parts back to Eralux.

LUMEN MAINTENANCE – L70 at 50,000 hours

Rated for 70% initial lumen output at 50,000 hours of operation, operated at 25°C ambient temperature; per guidelines published by the Illuminating Engineering Society (IES).

LED COMMERCIAL DOWNLIGHT

Recessed Wafer | 4" & 6" Round



ORDERING GUIDE – 100LPW

AE-DL-SL			
AE-DL-SL Slima Series Recessed Wafer Downlight CCT Switchable 27/30/35/40/50K	-04 4" 9W 900 lm -06 6" 12W 1200 lm	-BK Black -WH White	[BLANK] 100LPW 90CRI
Fixture Family	Size	Finish	LPW



ORDERING GUIDE – 78LPW

AE-DL-SL			
AE-DL-SL Slima Series Recessed Wafer Downlight CCT Switchable 27/30/35/40/50K	-04 4" 9W 700 lm @ 78 LPW -06 6" 14W 1100 lm @ 78 LPW	-BK Black -WH White	-1 78LPW 80CRI
Fixture Family	Size	Finish	LPW



ORDERING GUIDE – FRAME KIT

AE-DL-FRKT		
AE-DL-FRKT ERALUX FRAME KIT Round Downlights	-04 4 Inches -06 6 Inches	-UNV ¹
Fixture Family	Size	Type



ORDERING GUIDE – EMBB

[BLANK] No EMBB BLD-HM8D-YYY 8W emergency battery backup
EMBB

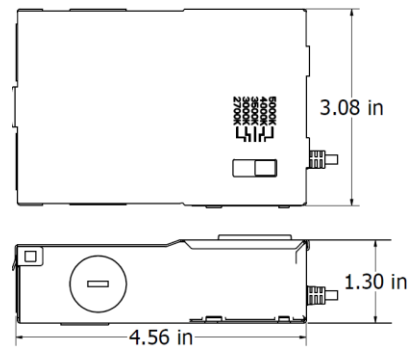
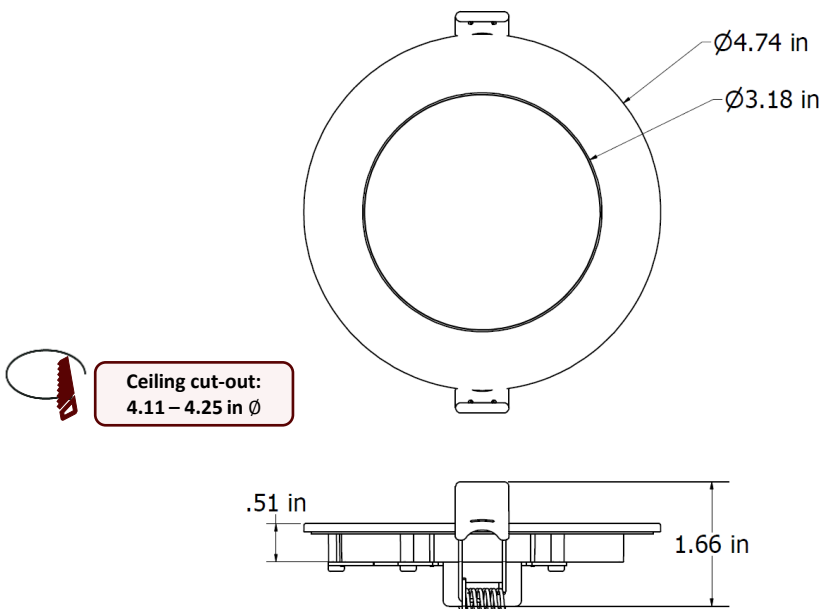
1. Junction Box is not included. SLIMA SERIES comes with a junction box by default.

DIMENSIONS

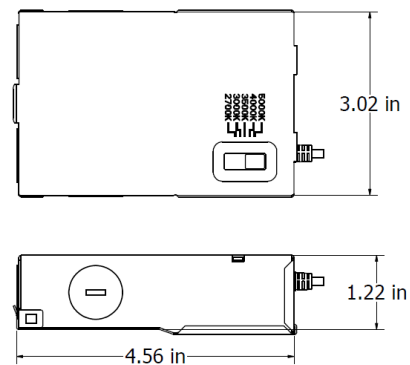
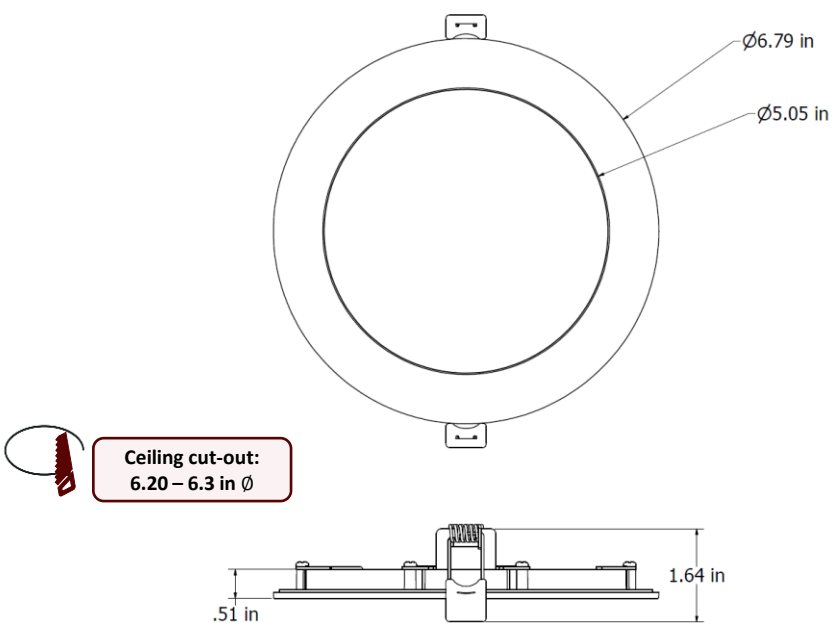
FIXTURE

DRIVER

AE-DL-SL-04-XX-1



AE-DL-SL-06-XX-1

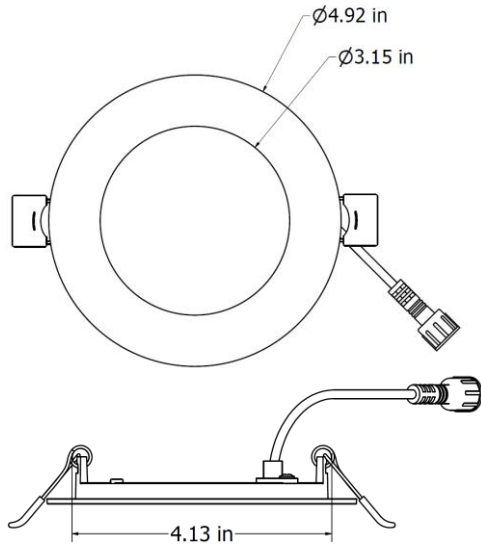


DIMENSIONS

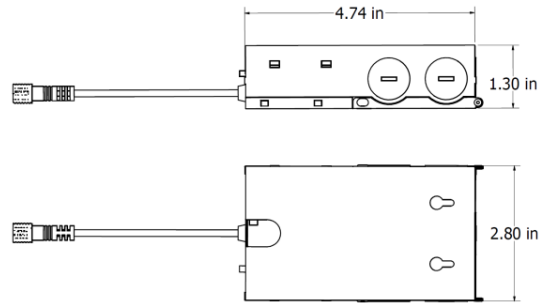
FIXTURE

DRIVER

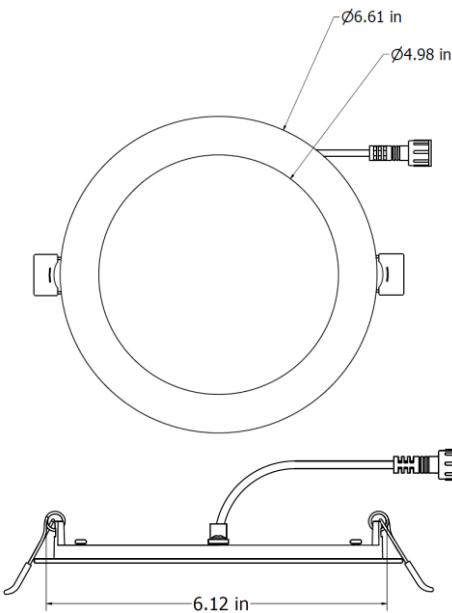
AE-DL-SL-04-XX



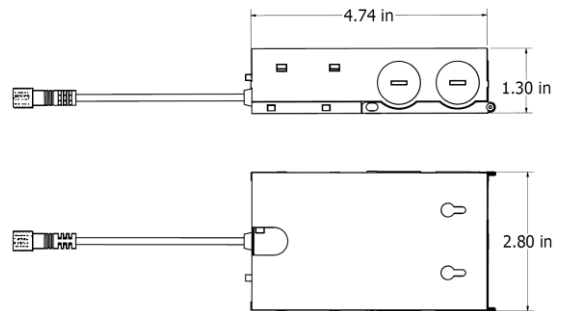
Ceiling cut-out:
4.15 – 4.3 in \varnothing



AE-DL-SL-06-XX



Ceiling cut-out:
6.15 – 6.3 in \varnothing



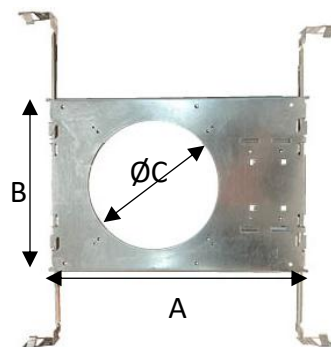
ACCESSORIES

Ordered separately, field installed.

NEW CONSTRUCTION UNIVERSAL FRAME KIT

SPECIFICATIONS	
MATERIAL	22-gauge galvanized steel housing
MOUNTING	T Grid Ceiling
	Gypsum Ceiling
	Maximum Thickness ~1.5"
LENGTH (A)	12.75"
WIDTH (B)	8.63"

OPENING SIZE			
ORDERING CODE	SIZE	SHAPE	C
AE-DL-FRKT-04-UNV	4"	Round	Ø 4.5"
AE-DL-FRKT-06-UNV	6"	Round	Ø 6.37"



CONTROLS

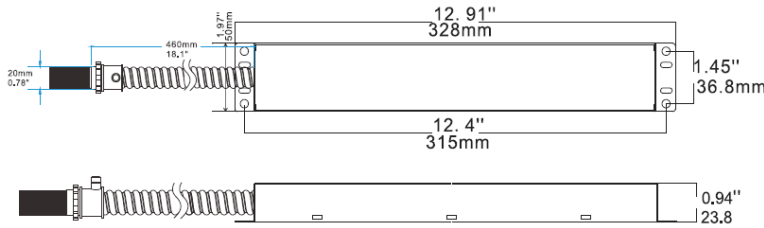
Ordered separately, field installed

EMERGENCY LED DRIVER (BLD-HMXXD-YYY)

BLD-HM8D-YYY



The BLD-HMXXD-YYY series LED Emergency Driver is UL listed for field and factory installations. It switches to emergency mode during power failures, providing up to 90 minutes of lighting. With an integrated battery, charger, and converter, it delivers 6-25W constant power at 170VDC. Ideal for 0-10V dimmable indoor commercial LED fixtures, such as flat panels, troffers, downlights, and linear strip lights.



ROOM OCCUPANCY SENSOR

PART NUMBER	DESCRIPTION
AE-CT-DT806	Line Voltage Motion Sensor
RC102	RC102 Remote Control



SPECIFICATIONS	
Input Voltage	100-347 Vac
Power Frequency	50/60HZ
Input Power	8W max
Output Voltage	170V Dc
Output Power	8W
Ambient Temperature	0°C to 50°C
	30°F to 122°F
Installation	Remote

SPECIFICATIONS	
Input Voltage	120-277 Vac
Power Frequency	50/60HZ
Rated Load	At 120 Vac 800W
	At 277 Vac 1200W
Detection Range	3-10 Meters
	9.8-32.8 Feet
Standby Power	~0.9W
Time Setting	10 sec to 30 min
Light Control	10-2,000LUX
Installation	Ceiling Mounted

DIMMER COMPATIBILITY LIST

TRIAC Dimming 75LPW version

Brand	Model	Brand	Model
LUTRON	S-600PR-WH	LEVITON	6631-1LW
	CTCL-153PR-WH		6674-POT
	DVWCL-153PH-WH		6672-1LW
	DVCL-153PR-BL		6683-IW
	TG600PR-LA		
	TGCL-153PH-WH		
	CT600P-WH		

TRIAC Dimming 100LPW version

Model	Model
MACL-153M-ES	LEVITON CL-6672
MACL-154M-E	LEVITON 1PL06
TGCL-153P	LEVITON CL-6674
SCL-153P-1V	LEVITON CL-6683
MACL-153MR-WH	LEVITON TG-600PH-LA
DVCL-153P	DV-600P

LUMENS ESTIMATE

Lumen output varies based on CCT and CRI. An estimate of lumen output of the various CCT/CRI combinations, use correction factors as per table below:

LUMEN ESTIMATE ADJUSTMENT FACTORS				
CCT	2700K	3000K	3500K	4000K
NORMAL	0.97	1	1.03	1.05

PHOTOMETRIC DATA

PART NUMBER		ZONAL LUMEN SUMMARY			POLAR LUMINOUS INTENSITY
AE-DL-SL-04-XX		Zone	Lumens	% Fixture	Direct Light
Wattage	9W	0-20°	129.76	13.4	
CCT	5000K	0-30°	273.9	28.3	
Distribution	110°	0-40°	444.17	45.9	
LPW	100	0-60°	771.24	79.7	
		0-80°	950.5	98.2	
		0-90°	967.54	100	
PART NUMBER		ZONAL LUMEN SUMMARY			POLAR LUMINOUS INTENSITY
AE-DL-SL-06-XX		Zone	Lumens	% Fixture	Direct Light
Wattage	12W	0-20	175.86	13.4	
CCT	5000K	0-30	371.3	28.4	
Distribution	110°	0-40	602.77	46	
LPW	100	0-60	1047.62	80	
		0-80	1286.76	98.3	
		0-90	1308.99	100	

OVERVIEW



Innovative Design

- The Slim recessed downlight has a full thickness of just 1" allowing it to be used in a variety of application where fixture size and weight plays a decisive role.



Multiple Options

- 2 sizes 4" and 6"
- 75LPW or 100LPW
- 5 CCT switchable from 2700K to 5000K.



Mountings Available

Durable stainless steel spring action housing clips for retrofit installations or purchase with the new construction frame kit for new constructions.



Accessories

- New construction frame kit.
- Emergency back up battery.



Emergency backup battery



Tests And Certifications



→ 75LPW version



→ 100LPW version