

SPLINTER

OUTDOOR LED LIGHT

Architectural Bollard | Dark Sky | Turtle Safe

The SPLINTER bollard is an elegant lighting solution for your outdoor spaces, available in two power options and three-color temperature choices. Crafted from durable materials, it is built to endure the toughest weather conditions. Its innovative optical system ensures effective illumination while minimizing glare. The distinctive "smiley face" design adds a unique touch to your surroundings.

Applications: Garden | Orchard | Walkway | Pathway



	DATE	QTY	ACC. QTY	TYPE
PROJECT				
PN				
ACCESSORY PN				
NOTES				




DYNAMIC MENU

Order Information	Page 2
Dimensions	Page 3
Accessories	Page 4
Photometric Data	Page 5

[Install Instruction link](#)

SPECIFICATIONS

Input Voltage	120-277V
Power Factor	>0.9
Total Harmonic Distortion	<20%
Dimming	0-10V dimming
CRI	70 CRI
CCT	<div style="display: flex; gap: 10px;"> <div style="border: 1px solid black; border-radius: 50%; padding: 2px 5px;">30K</div> <div style="border: 1px solid black; border-radius: 50%; padding: 2px 5px;">40K</div> <div style="border: 1px solid black; border-radius: 50%; padding: 2px 5px;">50K</div> </div>
Efficacy	~120 lm/W
Power	14W 24W
Ambient Temperature Range	-40°C to 50°C
Mounting Options	Concrete anchor mount
Fixture Finish	Black 
Protection	IP66 dust and water resistance IK10 impact resistance 2KV surge protector
Distribution	Type 5
Height	35 inch



PRODUCT FEATURES



PRODUCT CERTIFICATIONS



SYSTEM WARRANTY – 5 YEARS

Eralux will warrant defective drivers, LEDs and boards for 5 years from the date of purchase. This warranty is valid only if the fixture is installed and used as per installation guides and specifications. If a defect is present, Eralux will send drivers and boards at no fee with a thorough replacement instructions along with instructions on the return of the defective parts back to Eralux.

LUMEN MAINTENANCE – L70 at 50,000 hours

Rated for 70% initial lumen output at 50,000 hours of operation, operated at 25°C ambient temperature; per guidelines published by the Illuminating Engineering Society (IES).

OUTDOOR LED LIGHT

Architectural Bollard | Dark Sky | Turtle Safe



ORDERING GUIDE

AE-OD-ST				-BK	
AE-OD-ST ERALUX Outdoor Products Splinter Bollard Fixture	-14UV 14W 1,680 lm -24UV 24W 2,880 lm	-830¹ 80 CRI 3000K -840¹ 80 CRI 4000K -850¹ 80 CRI 5000K	-24² 24" Height 6.5" Diameter -30² 30" Height 6.5" Diameter -35² 35" Height 6.5" Diameter	-BK Black	-[BLANK] No option -GC 120V GFCI Receptacle option

Fixture Family	Power	CRI & CCT	Height	Finish	Option
----------------	-------	-----------	--------	--------	--------

1. Only products with 3000K CCT or lower are DarkSky approved.
2. 24" and 30" height Splinters will not have the GFCI option.



ORDERING GUIDE - TURTLE SAFE



AE-OD-ST	-14UV	-8TS		-BK	
AE-OD-ST ERALUX Outdoor Products Splinter Bollard Fixture	-14UV 14W 1,680 lm	-8TS Amber Turtle Safe 80 CRI	-24² 24" Height 6.5" Diameter -30² 30" Height 6.5" Diameter -35² 35" Height 6.5" Diameter	-BK Black	-[BLANK] No option -GC 120V GFCI Receptacle option

Fixture Family	Power	CRI & CCT	Height	Finish	Option
----------------	-------	-----------	--------	--------	--------



ORDERING GUIDE - ACCESSORIES

AE-OD-ST ERALUX Outdoor Products Splinter Bollard Fixture	-SIDE SHIELD Optical Back Shield	-BK Black

Accessory Family	Accessory	Finish
------------------	-----------	--------

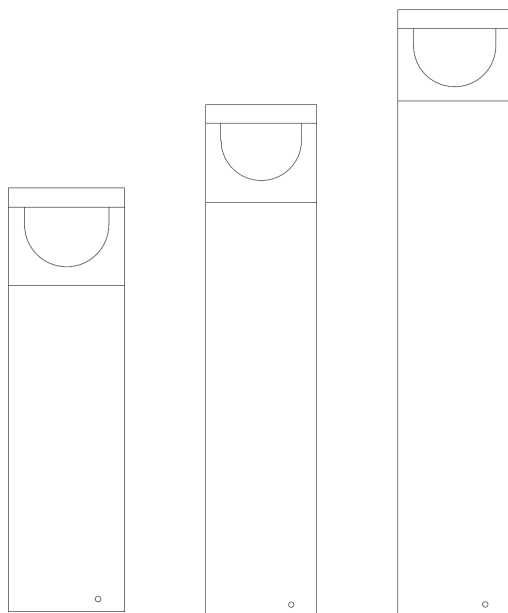
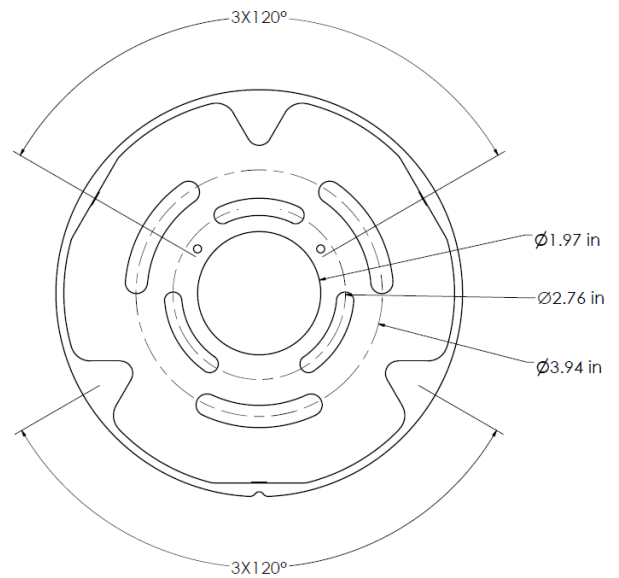
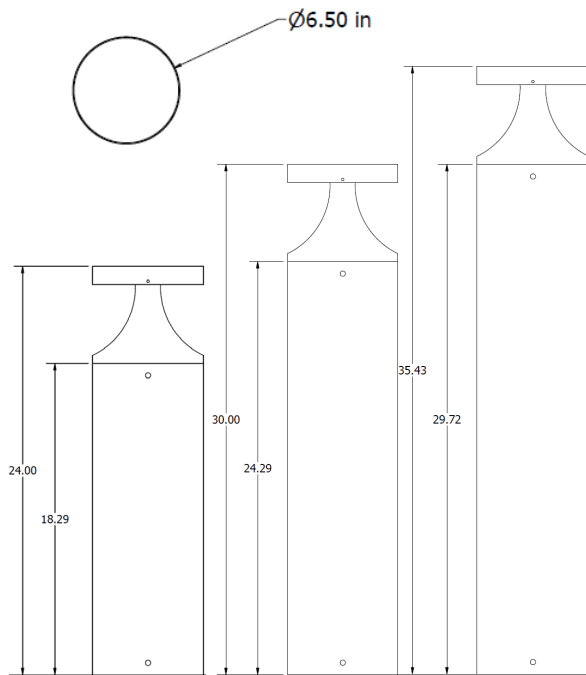
DIMENSIONS - FIXTURE

SPLINTER

BODY



BASE PLATE



OUTDOOR LED LIGHT

Architectural Bollard | Dark Sky | Turtle Safe

ACCESSORIES

OPTICAL SHIELD

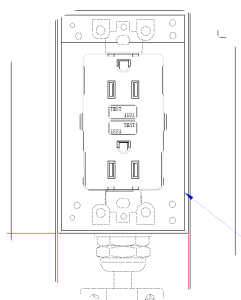
Code	Description	Picture
AE-OD-ST-SIDE SHIELD-BK	Side Shield to direct light from one face only	

B-U-G RATING

Power	BUG
14W	B1-U0-G1
24W	B2-U1-G2

GFCI RECEPTACLE

- Factory installed GFCI outlet option, output voltage 120V with safety flap.
- Exterior cover easy locking system sealed from water intrusion.



Compliant with Dark Sky requirements only for 3000K

- Restrict the amount of upward-directed light
- Avoid glare
- Avoid over-lighting
- Utilize dimming and other appropriate lighting controls
- Minimize short-wavelength (bluish) light in the nighttime environment (reduce light pollution).

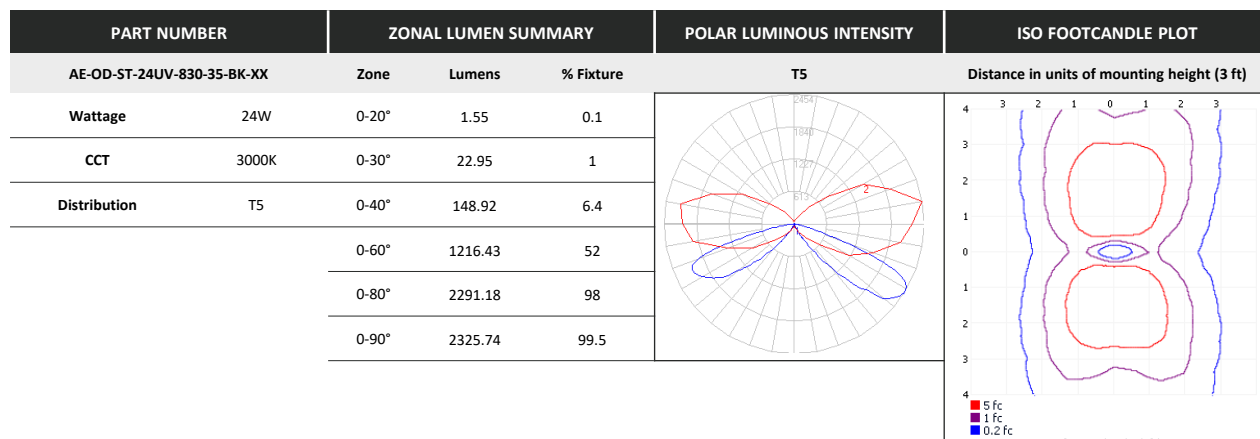
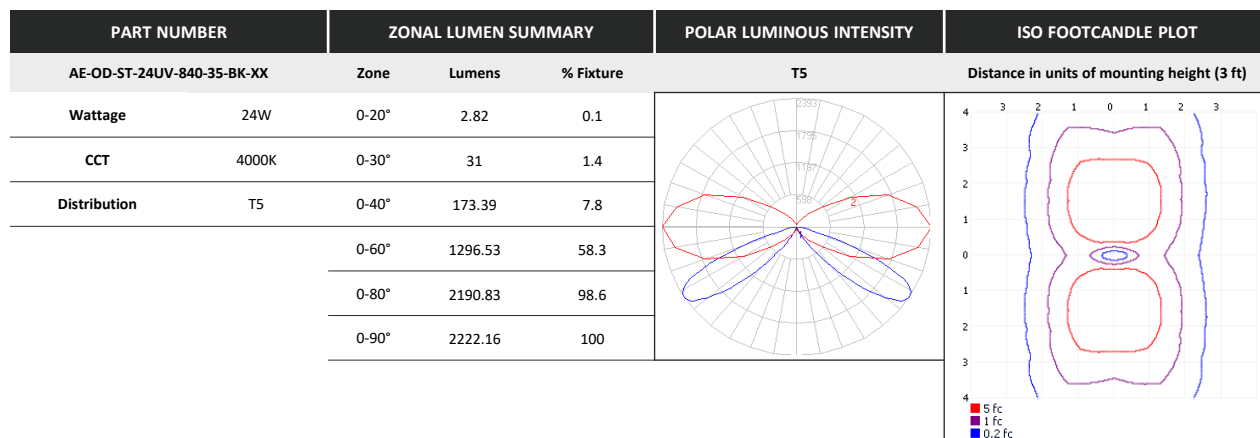
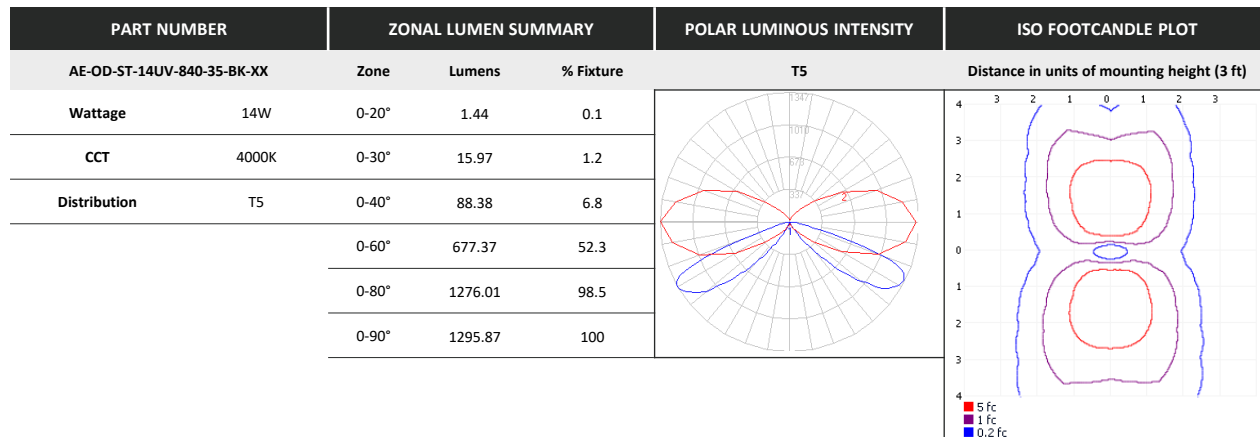


**DARKSKY
APPROVED**
Reduces light pollution
Certified by DarkSky.org

OUTDOOR LED LIGHT

Architectural Bollard | Dark Sky | Turtle Safe

PHOTOMETRIC DATA



OUTDOOR LED LIGHT

Architectural Bollard | Dark Sky | Turtle Safe

OVERVIEW



Innovative Design

- Aluminum die cast housing and fins for better heat dissipation
- Highly robust polycarbonate and high transmittance lens.



Mounting Available

- Concrete anchor mount



Multiple Options

- 2 different powers options.
- Optical back Shield
- 3 different CCTs



Protection



- Protected against dust ingress.
- Protected against water jets
- Impact resistant
- 2KV surge protector



Accessories

- Side shield



Turtle Safe

- Avoid and minimize lighting impact to sea turtles
- Produces long wavelength above 560nm (580 nm) which is amber light



Dark Sky

- Dark sky compliance with 3000K CCT and black finish



DARKSKY APPROVED
Reduces light pollution
Certified by DarkSky.org



Tests And Certifications

