



SPT WALL MOUNT

LINEAR FIXTURES

Linear Architectural Lighting

The SPT series light features a 30% up-light and a 70% downlight, ideal for office space to ensure a uniformly lit working space. These fixtures can be mounted in a continuous row seamlessly. The SPT also features the selectable CCT capabilities enabling the end user to set up their environment to the right ambiance. This series is wall mounted.



DATE	
PROJECT NAME	
TYPE	
QTY	
ORDERING CODE	AE-SF-SPTCA -010-WMT-

OPERATING & ELECTRICAL

INPUT VOLTAGE	120-347V
POWER FACTOR	0.9
DIMMING	0-10V external dimming down to 10%
TOTAL HARMONIC DISTORTION (THD)	<20%

PERFORMANCE

LUMENS PER WATT	105 LPW at 80CRI, 4000K
POWER	50, 80, 100W
DISTRIBUTION	Lambertian 30% up-light, 70% downlight

MECHANICAL & HOUSING

HOUSING	Extruded aluminum for increased rigidity and strength
LENS	Highly durable polycarbonate and high transmittance lens
FINISH	Nebula White, Atomic Black finish, Silver RAL7044, Gun Powder RAL7011
POWER SUPPLY	Factory wired electronic LED driver
LED BOARD	Discrete LED

APPLICATION CONDITION

AMBIENT TEMPERATURE RANGE	-10°C to 40°C
---------------------------	---------------

COMPATIBLE MOUNTING

MOUNTING	Wall mount
----------	------------

WARRANTY

SYSTEM WARRANTY – 5 YEARS

Eralux will warrant defective drivers, LEDs and boards for 5 years from the date of purchase. This warranty is valid only if the fixture is installed and used as per installation guides and specifications. If a defect is present, Eralux will send drivers and boards at no fee with a thorough replacement instructions along with instructions on the return of the defective parts back to Eralux.

LUMEN MAINTENANCE – L85 at 50,000 hours

Rated for 85% initial lumen output at 50,000 hours of operation, operated at 25°C ambient temperature; per guidelines published by the Illuminating Engineering Society (IES).

SPT WALL MOUNT

LINEAR FIXTURES

Linear Architectural Lighting

DATE	
PROJECT NAME	
TYPE	
QTY	
ORDERING CODE	AE-SF-SPTCA -010-WMT-

ORDERING GUIDE

EXAMPLE: AE-SF-SPTCA45030/35/40010-WMT-WH-GB

FIXTURE FAMILY	VOLTAGE	LENGTH	POWER	CCT	CONTROLS	MOUNTING	FINISH	DIMMING
AE-SF-SPT	CA				-010-	-WMT-		
AE-SF-SPT ERALUX SPT Selectable linear architectural fixture	CA 120-347Vac input voltage	4 4 feet length	50 50 watts: 5,250 lumens 30% up-light, 70% downlight	30/35/40 3000/3500/4000K selectable CCT	010 0-10V external dimming	-WMT Wall mounted	WH-GB ERALUX Nebula White	[LEAVE BLANK] None
		6 6 feet length	80 80 watts: 8,400 lumens 30% up-light, 70% downlight	30/40/50 3000/4000/5000K selectable CCT			BK-GB ERALUX Atomic Black	-LDE1 Lutron Hi-lume 1% EcoSystem driver with Soft-on, Fade-to-Black dimming technology down to 1%
		8 8 feet length	100 100 watts: 10,500 lumens 30% up-light, 70% downlight	GN-GB Gun powder – RAL7011			-EMBB* Emergency Battery Backup	
								-1DIM **

CAUTION: If there are multiple fixtures connected to the same 0-10V dimming line, a 0-10V controller must be considered to enable consistent dimming across the fixtures. Failure to do so will lead to inconsistent dimming and behaviors in the fixtures. Single switch is not recommended for controlling multiple fixtures simultaneously.

* 1DIM available only in 120-277V

Maximum of 300 Wattages powered by 1 electrical drop

SPT WALL MOUNT

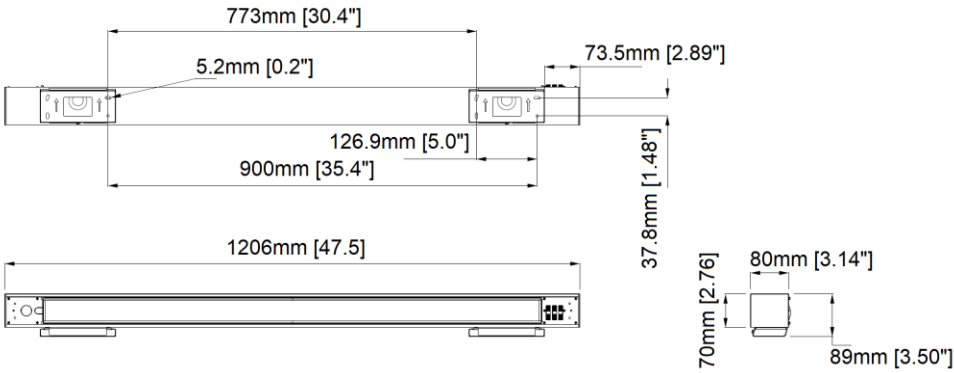
LINEAR FIXTURES

Linear Architectural Lighting

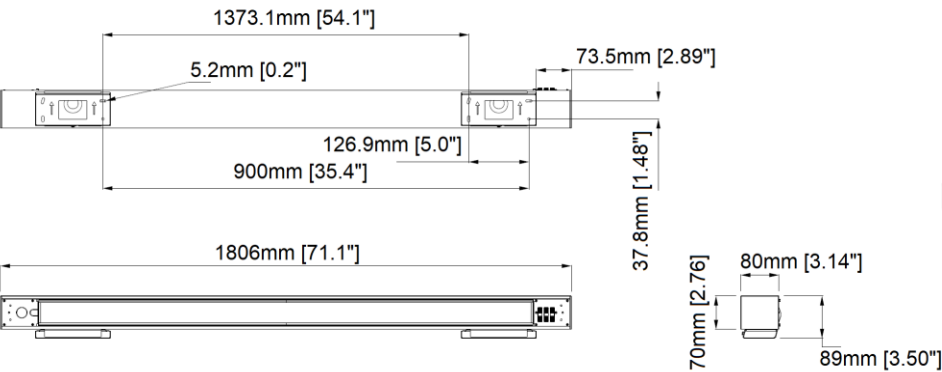
DATE	
PROJECT NAME	
TYPE	
QTY	
ORDERING CODE	AE-SF-SPTCA -010-WMT-

PRODUCT DIMENSION – WALL MOUNT

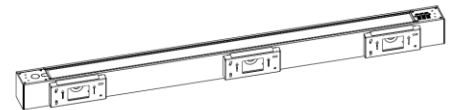
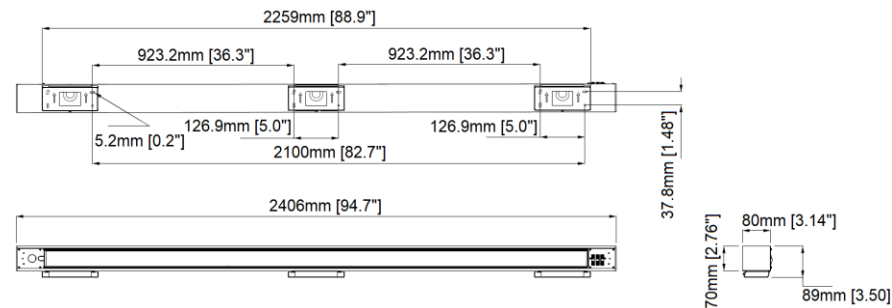
AE-SF-SPTCA440



AE-SF-SPTCA660



AE-SF-SPTCA880



SPT WALL MOUNT

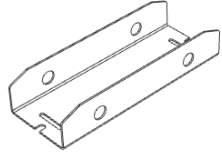
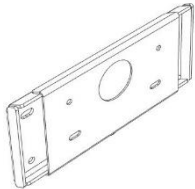
LINEAR FIXTURES

Linear Architectural Lighting

DATE						
PROJECT NAME						
TYPE						
QTY						
ORDERING CODE	AE-SF-SPTCA				-010-WMT-	-

ACCESSORIES

Ordered separately, field installed

Part Number	Description	Picture
AE-SF-G4/5-LINK	Linkable Metal Accessory – 1pc	
AE-SF-WMB-WH AE-SF-WMB-BK	Wall mount kit – 2 pieces	

SPT WALL MOUNT

LINEAR FIXTURES

Linear Architectural Lighting

DATE					
PROJECT NAME					
TYPE					
QTY					
ORDERING CODE	AE-SF-SPTCA			-010-WMT-	

ACCESSORIES (Continued)

Ordered separately, field installed

EMERGENCY LED DRIVER (BLD-YTXXD-XXX)

BLD-YT08D-XXX

OUTPUT POWER : 8 WATTS

BLD-YT15D-XXX

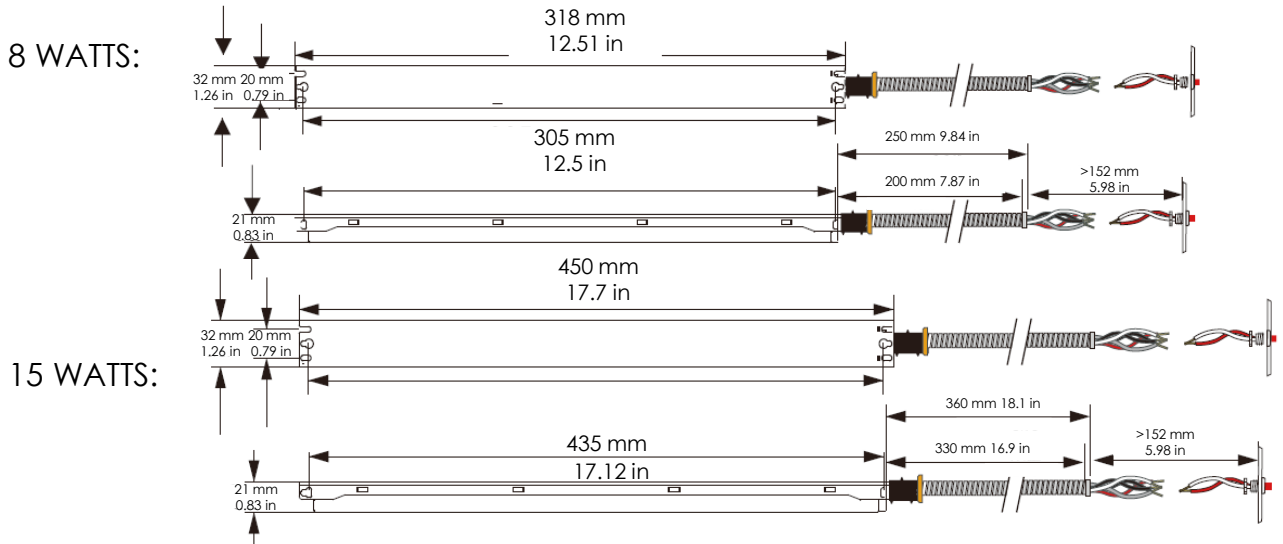
OUTPUT POWER : 15 WATTS



- Easy Wiring
- Certified For CA Title 20
- Constant Power Performance

BLD-YTXXD-XXX LED Emergency Driver is UL listed for field and factory installation that allows the same LED fixture to be used for both normal and emergency operation. In the event of a power failure, the emergency driver switches to emergency mode and operates the fixture for 90 minutes. This module will operate a LED array load at 8W or 15W with constant power at a rated output voltage of 30-60 VDC. The constant power design of BLD-YTXXD-XXX maintains the output wattage to the LED array, providing consistent illumination for the entire emergency runtime. Its slim shape is ideal for use in linear LED lighting fixtures.

DIMENSIONS (inches and mm)



SPT WALL MOUNT

LINEAR FIXTURES

Linear Architectural Lighting

DATE					
PROJECT NAME					
TYPE					
QTY					
ORDERING CODE	AE-SF-SPTCA			-010-WMT-	-

LUMEN ESTIMATE

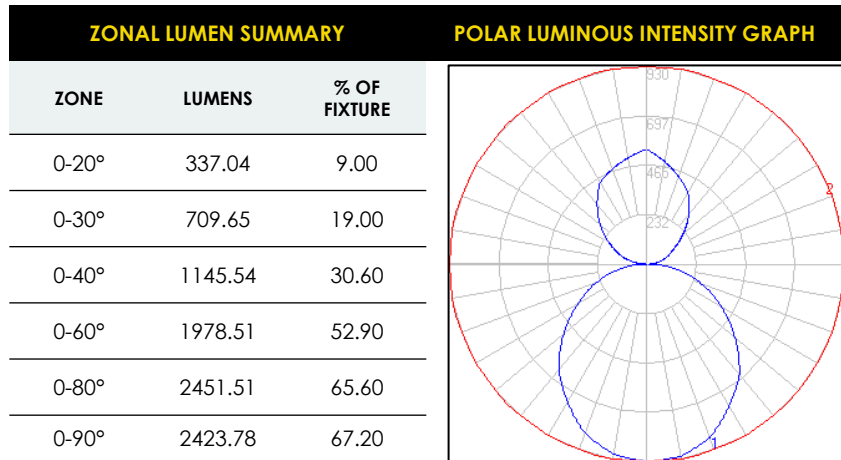
Lumen output varies based on CCT and CRI. An estimate of lumen output of the various CCT/CRI combinations, use correction factors as per table below:

LUMEN ESTIMATE ADJUSTMENT FACTORS				
CCT	3000K	3500K	4000K	5000K
PREMIUM (80CRI)	0.94	0.97	1	1.03

PHOTOMETRIC DATA

AE-SF-SPTUV450N30/35/40WWH (4000K)

- AE-SF-SPTCA23030/3540010WH-GB 35W 3500K
- 35 WATTS
- 3500K CCT
- 2 FT



DIMMER COMPATIBILITY LIST

0-10V Dimmer
LEGRAND RH4FBL3PTC
LUTRON DVS7V-WH
LEVITON IP710-LFZ

0-10V Dimmer
EATON WBSD-010SLD
LEVITON DS710
LUTRON MS-Z101
HUBBEL LHDIRS3N