

TANGO E

eralux®

LED Commercial Downlight

Recessed Downlight | Baffle Reflector | 4", 6" & 8" Round

The TANGO E is a canless round recessed commercial downlight with an aluminum housing, matte-finish baffle reflector that helps in reducing glare, regressed lens and spring mechanisms for easy installation. It's ideal for both retrofits and new construction in education, office, or commercial environments (frame kit required). Available in 4", 6" and 8", it features selectable lumens and five CCT switches, offering great flexibility on-site. It will brighten your space by offering high lumen output around 110-125lm/W. Applications: Art Galleries | Commercial Offices | Retail Stores | Hospitality

	DATE	QTY	ACC. QTY	TYPE
PROJECT				
PN				
ACCESSORY PN				
NOTES				



DYNAMIC MENU

Order Information	Page 2
Dimensions	Page 2
Accessories	Page 4
Photometric Data	Page 7

[Install Instruction link](#)

SPECIFICATIONS

Input Voltage	120-277/347V			
Power Factor	>0.9			
Total Harmonic Distortion	<20%			
Dimming Page 3	0-10V dimming (down to 10%)			
CRI	90 CRI			
CCT	<div style="display: flex; gap: 10px;"> 27K 30K 35K 40K 50K </div>			
Efficacy	~110 Lm/W for 4" and 6" ~125 Lm/W for 8"			
Size (inch)	<table style="width: 100%; text-align: center;"> <tr> <td>4"</td> <td>6"</td> <td>8"</td> </tr> </table>	4"	6"	8"
4"	6"	8"		
Power (W)	<table style="width: 100%; text-align: center;"> <tr> <td>10/13/16</td> <td>12/16/20</td> <td>18/24/32</td> </tr> </table>	10/13/16	12/16/20	18/24/32
10/13/16	12/16/20	18/24/32		
Ambient Temperature Range	-20°C to 40°C			
Mounting Options	New construction Retrofit			
Reflector Finish	Matte white Baffled			
Trim Finish	Matte white			

Distribution



PRODUCT FEATURES



PRODUCT CERTIFICATIONS



SYSTEM WARRANTY – 5 YEARS

Eralux will warrant defective drivers, LEDs and boards for 5 years from the date of purchase. This warranty is valid only if the fixture is installed and used as per installation guides and specifications. If a defect is present, Eralux will send drivers and boards at no fee with a thorough replacement instructions along with instructions on the return of the defective parts back to Eralux.

LUMEN MAINTENANCE – L70 at 50,000 hours

Rated for 70% initial lumen output at 50,000 hours of operation, operated at 25°C ambient temperature; per guidelines published by the Illuminating Engineering Society (IES).

LED Commercial Downlight

Recessed Downlight | Baffle Reflector | 4", 6" & 8" Round



ORDERING GUIDE

AE-DL-TGE		-D	-P	2750	-WH
AE-DL-TGE ERALUX Tango E recessed downlight 120-277/347V	-4 -16W 4" 10/13/16 W 1300/1500/1850 lm -6 -20W 6" 12/16/20 W 1350/1850/2300 lm -8 -32W 8" 18/25/32 W 2500/3250/4000 lm @4000K	-D 0-10V	-P Premium 90 CRI	2750 27/30/35/40/50K Switchable	-WH Matte White
Fixture Family	Size Power	Dimming	CRI	CCT	Finish



ORDERING GUIDE – FRAME KIT

AE-DL-FRKT	
AE-DL-FRKT ERALUX FRAME KITS Round Downlights	-04 4 Inches -06 6 Inches -08 8 Inches
Fixture Family	Size

NOTES

- Junction Box is included with the frame kit.



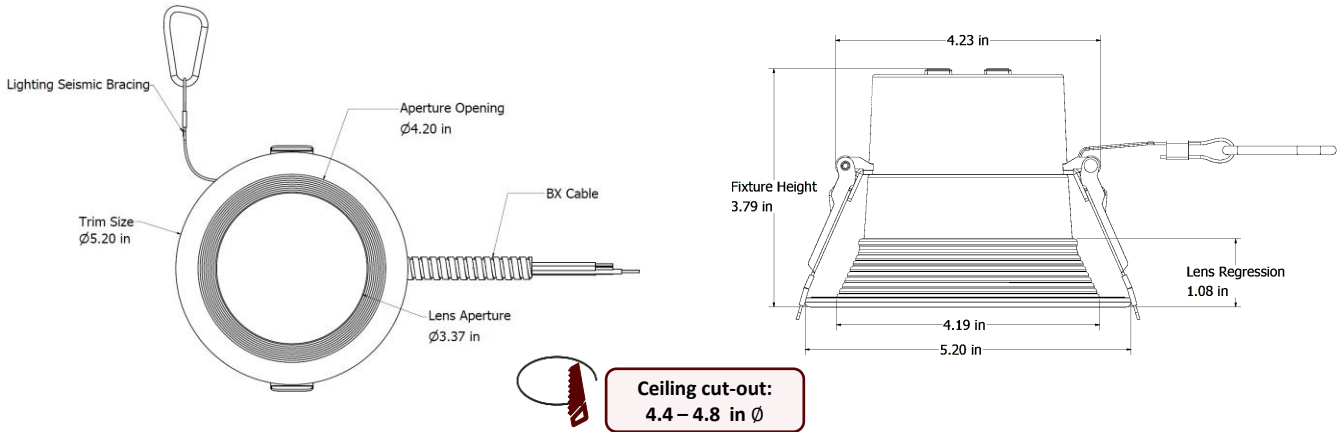
ORDERING GUIDE – EMBB

[BLANK] No EMBB BLD-HM8D-YYY 8W emergency battery backup
EMBB

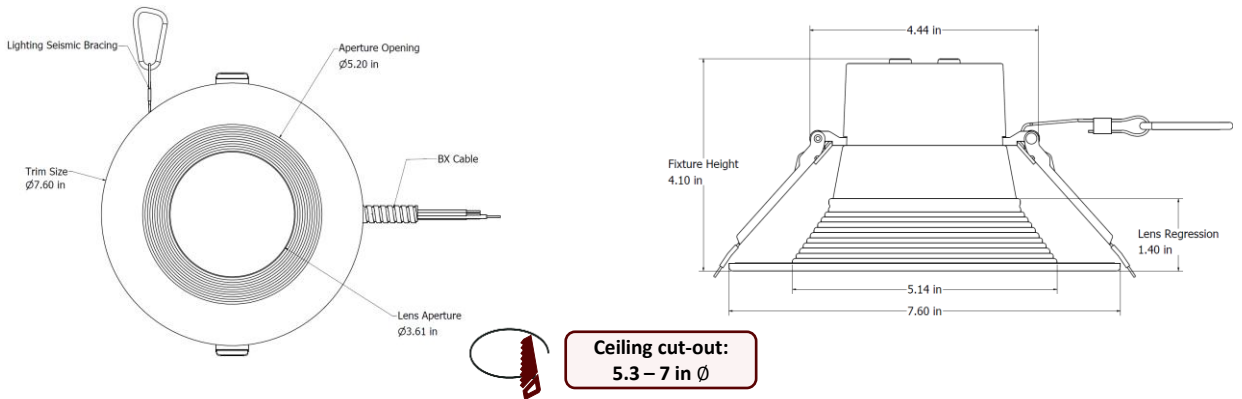
DIMENSIONS

FIXTURE

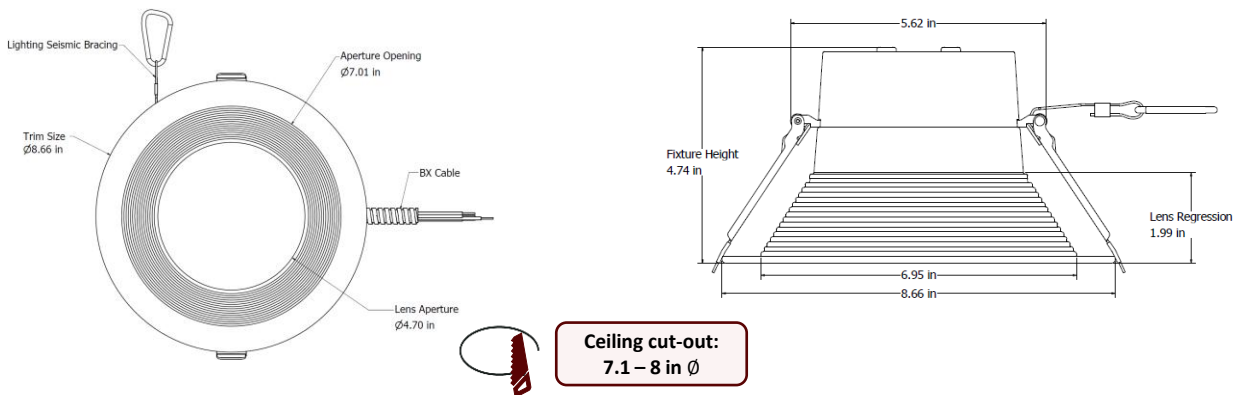
AE-DL-TGE-4-16W



AE-DL-TGE-6-20W



AE-DL-TGE-8-32W



BX Cable length: 17 in – 18 in
Lighting Seismic Bracing Length: 19 in

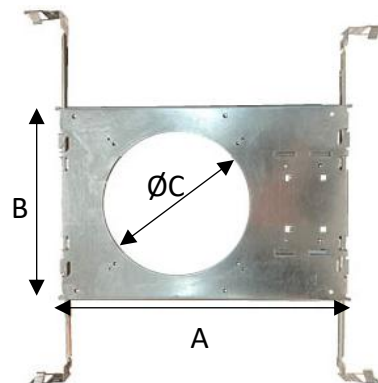
MOUNTING ACCESSORIES

Ordered separately, field installed.

NEW CONSTRUCTION FRAME KIT

SPECIFICATIONS	
MATERIAL	<ul style="list-style-type: none"> 22-gauge galvanized steel housing Galvanized steel junction box with multiple knockouts
MOUNTING	T Grid Ceiling
	Gypsum Ceiling
	Maximum Thickness ~1.5"
LENGTH (A)	12.75"
WIDTH (B)	8.63"

OPENING SIZE			
ORDERING CODE	SIZE	SHAPE	C
AE-DL-FRKT-04	4"	Round	Ø 4.5"
AE-DL-FRKT-06	6"	Round	Ø 6.37"
AE-DL-FRKT-08	8"	Round	Ø 7.25"



LED Commercial Downlight

Recessed Downlight | Baffle Reflector | 4", 6" & 8" Round

CONTROLS

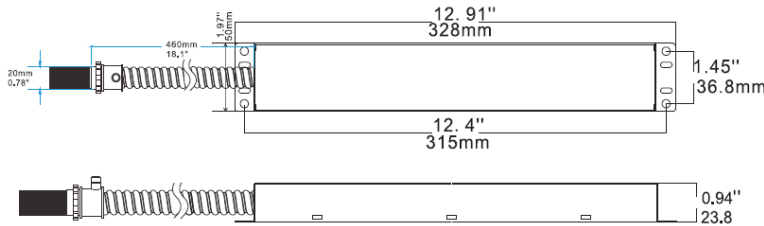
Ordered separately, field installed

EMERGENCY LED DRIVER (BLD-HMXXD-YYY)

BLD-HM8D-YYY

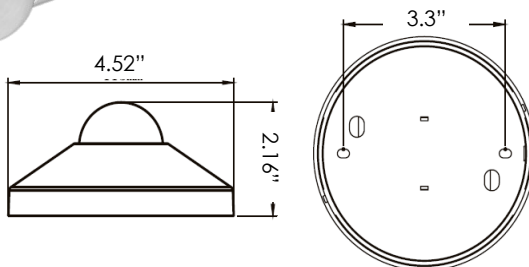


The BLD-HMXXD-YYY series LED Emergency Driver is UL listed for field and factory installations. It switches to emergency mode during power failures, providing up to 90 minutes of lighting. With an integrated battery, charger, and converter, it delivers 6-25W constant power at 170VDC. Ideal for 0-10V dimmable indoor commercial LED fixtures, such as flat panels, troffers, downlights, and linear strip lights.



ROOM OCCUPANCY SENSOR

PART NUMBER	DESCRIPTION
AE-CT-DT806	Line Voltage Motion Sensor
RC102	RC102 Remote Control



SPECIFICATIONS	
Input Voltage	100-347 Vac
Power Frequency	50/60HZ
Input Power	8W max
Output Voltage	170V Dc
Output Power	8W
Ambient Temperature	0°C to 50°C
	30°F to 122°F
Installation	Remote

SPECIFICATIONS		
Input Voltage	120-277 Vac	
Power Frequency	50/60HZ	
Rated Load	At 120 Vac	800W
	At 277 Vac	1200W
Detection Range	3-10 Meters	
	9.8-32.8 Feet	
Standby Power	~0.9W	
Time Setting	10 sec to 30 min	
Light Control	10-2,000LUX	
Installation	Ceiling Mounted	

LUMENS AT DIFFERENT CCT

ORDER CODE	POWER	INPUT VOLTAGE	BEAM ANGLE	CCT				
				2700K	3000k	3500K	4000K	5000K
AE-DL-TGE-4-16W-D-P2750	10W	120-277/347V	100°	1100	1150	1250	1300	1200
	13W			1350	1400	1450	1500	1450
	16W			1600	1700	1750	1850	1800
AE-DL-TGE-6-20W-D-P2750	12W	120-277/347V	105°	1200	1250	1300	1350	1300
	16W			1600	1700	1750	1850	1800
	20W			2050	2150	2250	2300	2200
AE-DL-TGE-8-32W-D-P2750	18W	120-277/347V	105°	2200	2350	2450	2500	2450
	25W			2900	3000	3200	3250	3200
	32W			3600	3700	3950	4000	3900

DIMMER COMPATIBILITY LIST

0-10V DIMMING

Brand	Model
LUTRON	RMJS-8TN-DV-B
	DVSTV-36WH29
	DVSTV-WH
LEGRAND	RH4FBL3PTCCCV6
	RH4FBL3PTC
LEVITON	IP710-LFZ

LED Commercial Downlight

Recessed Downlight | Baffle Reflector | 4", 6" & 8" Round

PHOTOMETRIC DATA

PART NUMBER		ZONAL LUMEN SUMMARY			POLAR LUMINOUS INTENSITY	CONE DISTRIBUTION			
AE-DL-TGE-4-16W-D-P2750		Zone	Lumens	% Fixture	Direct Light	Center Beam Fc	Beam Width		
Wattage	16W	0-20°	372.71	18.1		2.5ft	170 fc	4.5 ft	4.9 ft
CCT	5000K	0-30°	770.07	37.3		5.0ft	42.6 fc	9.1 ft	9.8 ft
Distribution	100°	0-40°	1202.71	58.3		7.5ft	18.9 fc	13.6 ft	14.7 ft
Size	4"	0-60°	1842.64	89.3		10.0ft	10.6 fc	18.2 ft	19.6 ft
		0-80°	2048.90	99.3		12.5ft	6.81 fc	22.7 ft	24.5 ft
		0-90°	2063.20	100		15.0ft	4.73 fc	27.3 ft	29.4 ft
						■ Vert. Spread: 84.6° ■ Horiz. Spread: 88.8°			

PART NUMBER		ZONAL LUMEN SUMMARY			POLAR LUMINOUS INTENSITY	CONE DISTRIBUTION			
AE-DL-TGE-6-20W-D-P2750		Zone	Lumens	% Fixture	Direct Light	Center Beam Fc	Beam Width		
Wattage	20W	0-20°	431.45	18.0		2.5ft	198 fc	4.9 ft	4.9 ft
CCT	5000K	0-30°	893.44	37.4		5.0ft	49.5 fc	9.8 ft	9.8 ft
Distribution	105°	0-40°	1405.02	58.8		7.5ft	22 fc	14.7 ft	14.8 ft
Size	6"	0-60°	2159.59	90.3		10.0ft	12.4 fc	19.6 ft	19.7 ft
		0-80°	2375.90	99.4		12.5ft	7.93 fc	24.5 ft	24.6 ft
		0-90°	2390.47	100		15.0ft	5.51 fc	29.3 ft	29.5 ft
						■ Vert. Spread: 88.7° ■ Horiz. Spread: 89.1°			

PART NUMBER		ZONAL LUMEN SUMMARY			POLAR LUMINOUS INTENSITY	CONE DISTRIBUTION			
AE-DL-TGE-8-32W-D-P2750		Zone	Lumens	% Fixture	Direct Light	Center Beam Fc	Beam Width		
Wattage	32W	0-20°	707.15	17.2		2.5ft	319 fc	5.1 ft	5.5 ft
CCT	5000K	0-30°	1478.74	36.0		5.0ft	79.9 fc	10.2 ft	10.9 ft
Distribution	105°	0-40°	2351.52	57.3		7.5ft	35.5 fc	15.3 ft	16.4 ft
Size	8"	0-60°	3687.72	89.8		10.0ft	20 fc	20.4 ft	21.8 ft
		0-80°	4075.36	99.3		12.5ft	12.8 fc	25.5 ft	27.3 ft
		0-90°	4104.33	100		15.0ft	8.87 fc	30.7 ft	32.8 ft
						■ Vert. Spread: 91.2° ■ Horiz. Spread: 95.1°			

OVERVIEW



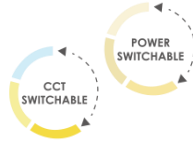
Innovative Design

- Housing made from aluminum for increased rigidity and strength.
- Wet location rated and suitable for temperatures ranging from -20 to 40 degrees Celsius.
- Baffle reflector helps in reducing glare



Multiple Options

- 3 sizes 4", 6", and 8"
- 3 lumens selectable
- 5 CCT switchable from 2700K to 5000K.



Mountings Available

Durable stainless steel spring action housing clips for retrofit installations or purchase with the new construction frame kit for new constructions.



Accessories

- New construction frame kit.
- 8W Emergency back up battery.



Tests And Certifications

