

TANGO X

LED Commercial Downlight

Recessed Downlight | 4", 6" & 8" Round

The TANGO X is a round recessed commercial downlight with an aluminum housing, matte-finish reflector, and spring mechanisms for easy installation. It's ideal for both retrofits and new construction in education, office, or commercial environments (frame kit required). Available in 4", 6" and 8", it features selectable lumens and five CCT switches, offering great flexibility on-site.

Applications: Art Galleries | Commercial Offices | Retail Stores | Hospitality

DATE	QTY	ACC. QTY	TYPE
PROJECT			
PN			
ACCESSORY PN			
NOTES			



DYNAMIC MENU

Order Information	Page 2
Dimensions	Page 3
Accessories	Page 4
Photometric Data	Page 7

[Install Instruction link](#)

SPECIFICATIONS

Input Voltage	120-347V		
Power Factor	>0.9		
Total Harmonic Distortion	<20%		
Dimming Page 6	0-10V dimming (down to 10%)		
CRI	90 CRI		
CCT	27K 30K 35K 40K 50K		
Efficacy	~90-93 LPW for 4" and 6" ~86 LPW for 8"		
Size (inch)	4"	6"	8"
Power (W)	7/11/15	10/14/18	18/24/30
Ambient Temperature Range	-20°C to 40°C		
Mounting Options	New construction Retrofit		
Reflector Finish	Matte white		
Trim Finish	Matte white		



PRODUCT FEATURES



PRODUCT CERTIFICATIONS



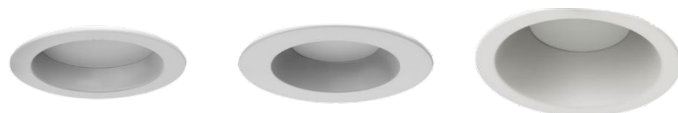
SYSTEM WARRANTY – 5 YEARS

Eralux will warrant defective drivers, LEDs and boards for 5 years from the date of purchase. This warranty is valid only if the fixture is installed and used as per installation guides and specifications. If a defect is present, Eralux will send drivers and boards at no fee with a thorough replacement instructions along with instructions on the return of the defective parts back to Eralux.

LUMEN MAINTENANCE – L70 at 50,000 hours

Rated for 70% initial lumen output at 50,000 hours of operation, operated at 25°C ambient temperature; per guidelines published by the Illuminating Engineering Society (IES).

Distribution



ORDERING GUIDE

AE-DL-TGX	-CA		-010	-9	2750	-WH
AE-DL-TGX ERALUX Tango X recessed downlight	-CA 120-347V	-4 -15W 4" 7/11/15 W 650/1023/1395 lm -6 -18W 6" 10/14/18 W 930/1302/1670 lm -8 -30W 8" 18/24/30 W 1548/2064/2580 lm	-010 0-10V	-9 Premium 90 CRI	2750 27/30/35/40/50K Switchable	-WH Matte White
Fixture Family	Input Voltage	Size Power	Dimming	CRI	CCT	Finish

ORDERING GUIDE – FRAME KIT

AE-DL-FRKT ERALUX FRAME KITS Round Downlights	[BLANK] Frame kit -PL Chicago plenum	-04 4 Inches -06 6 Inches -08 8 Inches	-UNV ¹
Fixture Family	Option	SIZE	TYPE

1. Junction Box is not included. TANGO X SERIES comes with a junction box by default.

ORDERING GUIDE – EMBB

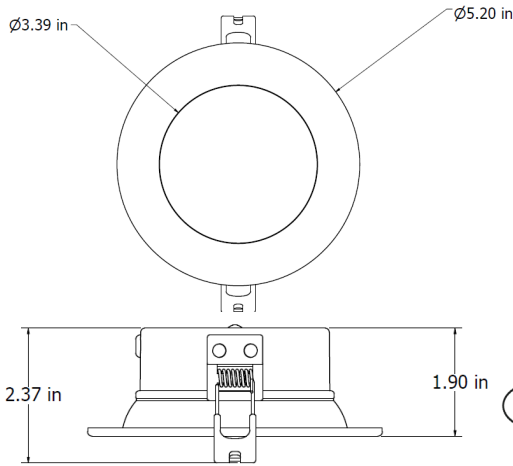
[BLANK] No EMBB
BLD-HM8D-YYY 8W emergency battery backup
EMBB

DIMENSIONS

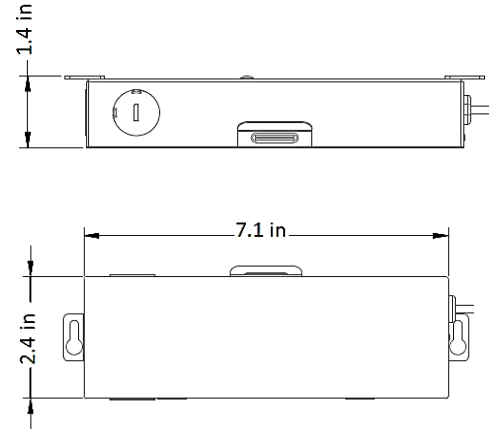
FIXTURE

DRIVER

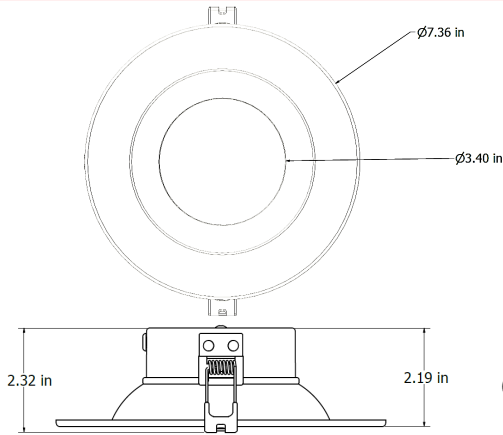
AE-DL-TGX-CA-4-15W



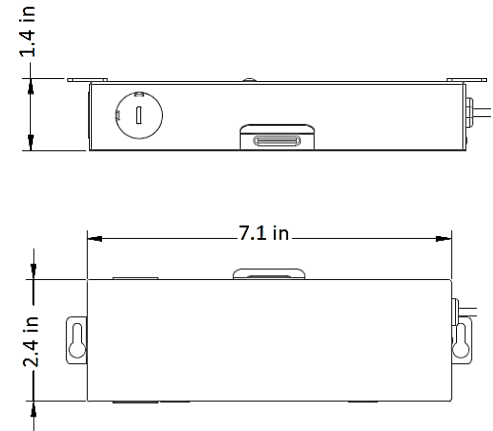
Ceiling cut-out:
4.6 – 5.0 in Ø



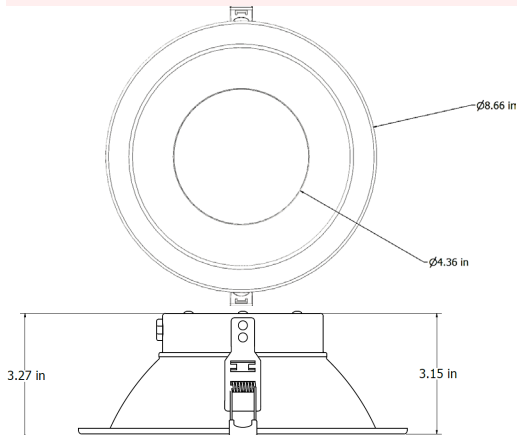
AE-DL-TGX-CA-6-18W



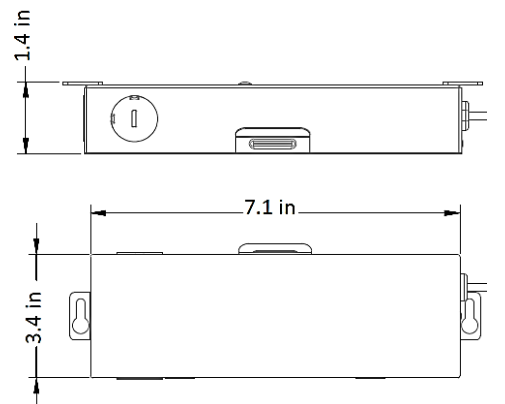
Ceiling cut-out:
5.5 – 7.1 in Ø



AE-DL-TGX-CA-8-30W



Ceiling cut-out:
7.3 – 8.4 in Ø



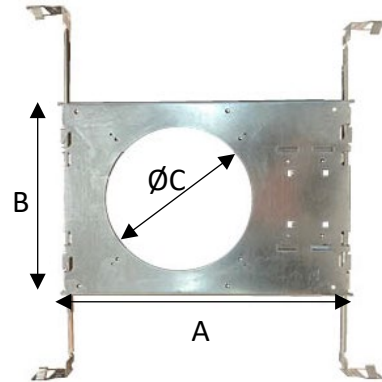
MOUNTING ACCESSORIES

Ordered separately, field installed.

NEW CONSTRUCTION UNIVERSAL FRAME KIT

SPECIFICATIONS	
MATERIAL	22-gauge galvanized steel housing
MOUNTING	T Grid Ceiling
	Gypsum Ceiling
	Maximum Thickness ~1.5"
LENGTH (A)	12.75"
WIDTH (B)	8.63"

OPENING SIZE			
ORDERING CODE	SIZE	SHAPE	C
AE-DL-FRKT-04-UNV	4"	Round	Ø 4.5"
AE-DL-FRKT-06-UNV	6"	Round	Ø 6.37"
AE-DL-FRKT-08-UNV	8"	Round	Ø 7.25"



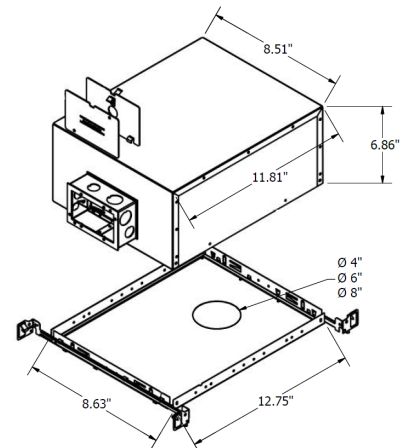
CHICAGO PLENUM

SPECIFICATIONS	
MATERIAL	27-gauge galvanized steel frame Galvanized steel junction box with gasket
MOUNTING	T-bar or drywall ceilings Up to 1.5" thick

OPENING SIZE		
ORDERING CODE	SIZE	SHAPE
AE-DL-FRKT-PL-04	4"	Round
AE-DL-FRKT-PL-06	6"	Round
AE-DL-FRKT-PL-08	8"	Round

COMPONENTS

- Chicago Plenum External Cover
- Chicago Plenum Internal Cover
- Chicago Plenum I.C. Box
- Chicago Plenum 4-inch Plaster Frame
- Chicago Plenum 6-inch Plaster Frame
- Chicago Plenum 8-inch Plaster Frame
- Chicago Plenum Suspension Bars (2 sets)



LED Commercial Downlight Recessed Downlight | 4", 6" & 8" Round

CONTROLS

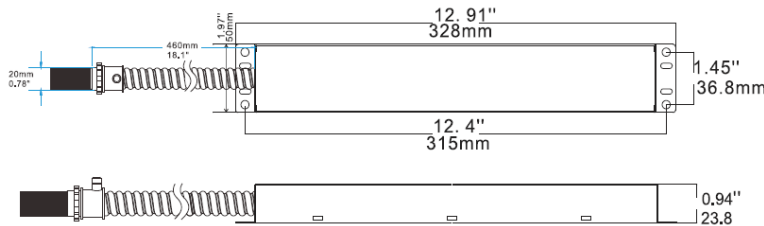
Ordered separately, field installed

EMERGENCY LED DRIVER (BLD-HMXXD-YYY)

BLD-HM8D-YYY



The BLD-HMXXD-YYY series LED Emergency Driver is UL listed for field and factory installations. It switches to emergency mode during power failures, providing up to 90 minutes of lighting. With an integrated battery, charger, and converter, it delivers 6-25W constant power at 170VDC. Ideal for 0-10V dimmable indoor commercial LED fixtures, such as flat panels, troffers, downlights, and linear strip lights.

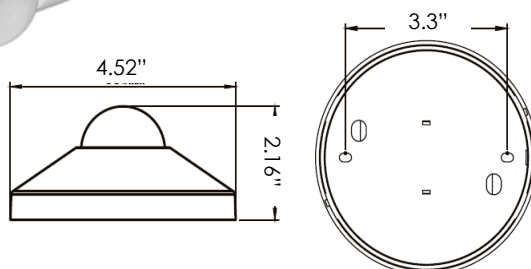


SPECIFICATIONS	
Input Voltage	100-347 Vac
Power Frequency	50/60HZ
Input Power	8W max
Output Voltage	170V Dc
Output Power	8W
Ambient Temperature	0°C to 50°C
	30°F to 122°F
Installation	Remote

ROOM OCCUPANCY SENSOR

PART NUMBER	DESCRIPTION
AE-CT-DT806	Line Voltage Motion Sensor
RC102	RC102 Remote Control

SPECIFICATIONS		
Input Voltage	120-277 Vac	
Power Frequency	50/60HZ	
Rated Load	At 120 Vac	800W
	At 277 Vac	1200W
Detection Range	3-10 Meters	
	9.8-32.8 Feet	
Standby Power	~0.9W	
Time Setting	10 sec to 30 min	
Light Control	10-2,000LUX	
Installation	Ceiling Mounted	



LUMENS AT DIFFERENT CCT

ORDER CODE	POWER	INPUT VOLTAGE	BEAM ANGLE	CCT				
				2700K	3000k	3500K	4000K	5000K
AE-DL-TGX-CA-4-15W-010-92750-XX	7W	120-347V	95°	650	690	700	730	720
	11W			900	980	1030	1046	1000
	15W			1130	1200	1300	1300	1200
AE-DL-TGX-CA-6-18W-010-92750-XX	10W	120-347V	95°	880	920	970	980	960
	14W			1100	1200	1260	1280	1250
	18W			1360	1460	1560	1600	1500
AE-DL-TGX-CA-8-30W-010-92750-XX	18W	120-347V	95°	1630	1700	1800	1820	1750
	24W			1970	2130	2250	2280	2140
	30W			2150	2360	2500	2530	2340

DIMMER COMPATIBILITY LIST

0-10V DIMMING

Brand	Model
LUTRON	RMJS-8TN-DV-B
	DVSTV-36WH29
	DVSTV-WH
LEGRAND	RH4FBL3PTCCCV6
	RH4FBL3PTC
LEVITON	IP710-LFZ

PHOTOMETRIC DATA

PART NUMBER		ZONAL LUMEN SUMMARY			POLAR LUMINOUS INTENSITY	CONE DISTRIBUTION			
AE-DL-TGX-CA-4-15W-010-92750-XX		Zone	Lumens	% Fixture	Direct Light	Center Beam Fc	Beam Width		
Wattage	15W	0-20°	196.05	16.3		1.7ft	190 fc	4.2 ft	3.4 ft
CCT	4000K	0-30°	410.37	34		3.3ft	50.4 fc	8.1 ft	6.6 ft
Distribution	95°	0-40°	654.04	54.2		5.0ft	21.9 fc	12.3 ft	10.1 ft
Size	4"	0-60°	1055.95	87.5		6.7ft	12.2 fc	16.4 ft	13.5 ft
		0-80°	1196.11	99.1		8.3ft	7.96 fc	20.3 ft	16.7 ft
		0-90°	1206.45	100		10.0ft	5.49 fc	24.5 ft	20.1 ft
						■ Vert. Spread: 101.6° ■ Horiz. Spread: 90.4°			

PART NUMBER		ZONAL LUMEN SUMMARY			POLAR LUMINOUS INTENSITY	CONE DISTRIBUTION			
AE-DL-TGX-CA-6-18W-010-92750-XX		Zone	Lumens	% Fixture	Direct Light	Center Beam Fc	Beam Width		
Wattage	18W	0-20°	253.67	15.2		1.7ft	247 fc	4.2 ft	4.2 ft
CCT	4000K	0-30°	534.43	32.1		3.3ft	65.6 fc	8.2 ft	8.1 ft
Distribution	95°	0-40°	863.54	51.9		5.0ft	28.6 fc	12.4 ft	12.3 ft
Size	6"	0-60°	1448.65	87.1		6.7ft	15.9 fc	16.6 ft	16.5 ft
		0-80°	1654.21	99.4		8.3ft	10.4 fc	20.5 ft	20.4 ft
		0-90°	1663.62	100		10.0ft	7.14 fc	24.7 ft	24.6 ft
						■ Vert. Spread: 102.1° ■ Horiz. Spread: 101.7°			

PART NUMBER		ZONAL LUMEN SUMMARY			POLAR LUMINOUS INTENSITY	CONE DISTRIBUTION			
AE-DL-TGX-CA-8-30W-010-92750-XX		Zone	Lumens	% Fixture	Direct Light	Center Beam Fc	Beam Width		
Wattage	30W	0-20°	438.85	17.3		1.7ft	434 fc	3.6 ft	3.6 ft
CCT	4000K	0-30°	914.34	36.1		3.3ft	115 fc	7.0 ft	7.0 ft
Distribution	95°	0-40°	1453.12	57.4		5.0ft	50.1 fc	10.7 ft	10.6 ft
Size	8"	0-60°	2288.72	90.3		6.7ft	27.9 fc	14.3 ft	14.2 ft
		0-80°	2519.05	99.4		8.3ft	18.2 fc	17.7 ft	17.6 ft
		0-90°	2533.45	100		10.0ft	12.5 fc	21.3 ft	21.3 ft
						■ Vert. Spread: 93.6° ■ Horiz. Spread: 93.5°			

OVERVIEW



Innovative Design

- Housing made from aluminum for increased rigidity and strength.
- Matte finish reflector.
- Wet location rated and suitable for temperatures ranging from -20 to 40 degrees Celsius.



Multiple Options

- 3 sizes 4", 6", and 8"
- 3 lumens selectable
- 5 CCT switchable from 2700K to 5000K.



Mountings Available

Durable stainless steel spring action housing clips for retrofit installations or purchase with the new construction frame kit for new constructions.



Accessories

- New construction frame kit.
- Emergency back up battery.



Tests And Certifications

