

# TANGO

## DOWNLIGHT

Commercial Downlight



The TANGO series is the 8-inch commercial downlight family from ERALUX. This downlight features a spring mechanism that makes installation a breeze. It is perfect for retrofit and for new constructions environment (junction box or frame kit required). The 8 inch can achieve 2500 lumens at 90 CRI, 3000K. The TANGO Series separates itself from competitor downlights by having selectable lumens, and CCT switches, enabling high flexibility at the project location.

# eralux®



DATE	
PROJECT NAME	
<b>TYPE</b>	
QTY	
ORDERING CODE	AE-DL-TGE - - -D-P2750 -WH

### OPERATING & ELECTRICAL

INPUT VOLTAGE	120-347V
POWER FACTOR	0.9
DIMMING	0-10V Dimming (Dim down to 10%)
TOTAL HARMONIC DISTORTION(THD)	<20%

### PERFORMANCE

LEMENS PER WATT	75-85 LPW at 90CRI
POWER CONSUMPTION	30W Max for 8 inch
DISTRIBUTION	Lambertian

### MECHANICAL & HOUSING

HOUSING	Aluminum
LENS	Highly durable polycarbonate and high transmittance lens
FINISH	White powder coat finish
POWER SUPPLY	Factory wired electronic LED driver
LED BOARD	COB

### APPLICATION CONDITION

AMBIENT TEMPERATURE RANGE	-10 °C to 35°C
PROTECTION	Wet rated

### COMPATIBLE MOUNTING

MOUNTING	New construction or retrofit Mounted with stainless steel spring-action housing clips
----------	--

### WARRANTY

#### SYSTEM WARRANTY – 5 YEARS

Eralux will warrant defective drivers, LEDs and boards for 5 years from the date of purchase. This warranty is valid only if the fixture is installed and used as per installation guides and specifications. If a defect is present, Eralux will send drivers and boards at no fee with a thorough replacement instructions along with instructions on the return of the defective parts back to Eralux.

#### LUMEN MAINTENANCE – L70 at 50,000 hours

Rated for 70% initial lumen output at 50,000 hours of operation, operated at 25°C ambient temperature; per guidelines published by the Illuminating Engineering Society (IES)

DATE					
PROJECT NAME					
<b>TYPE</b>					
QTY					
ORDERING CODE	AE-DL-TGE	-	-	-D-P2750	-WH

## ORDERING GUIDE

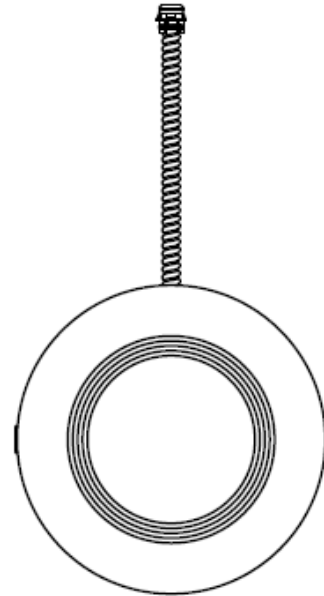
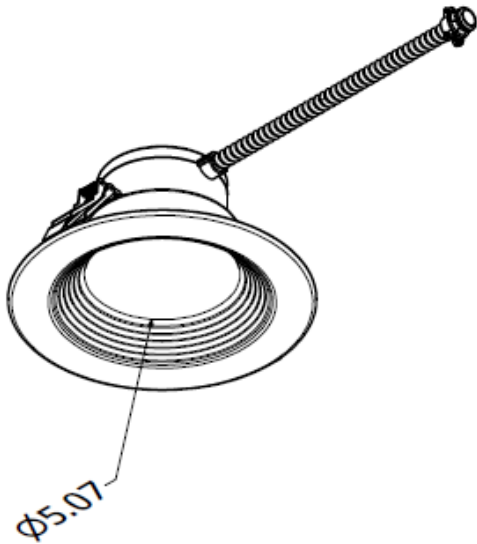
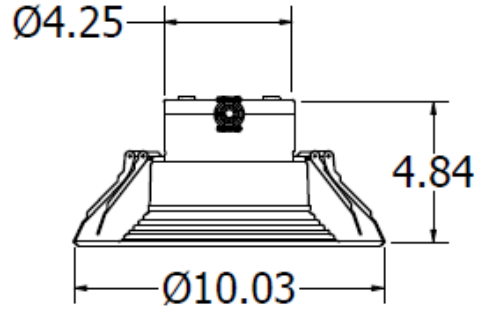
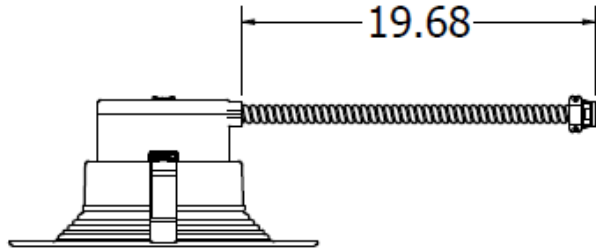
EXAMPLE: AE-DL-TGE-6-20W-D-P2750-WH

FIXTURE FAMILY	SIZE	POWER	DIMMING	CRI	CCT	FINISH
<b>AE-DL-TGE</b>	<b>-</b>	<b>-</b>	<b>-D</b>	<b>-P</b>	<b>2750</b>	<b>-WH</b>
<b>AE-DL-TGE</b> ERALUX Tango Series downlight	<b>-8</b> 8 inch	<b>-30W</b> 30 Watts 20-25-30W Selectable Power. 1500-2000- 2500 Lms	<b>-D</b> 0-10V Dimming	<b>P</b> Premium 90 CRI	<b>2750</b> 2700K/3000K/3500K/ 4000K/5000K Selectable CCT	<b>-WH</b> WHITE FINISH

DATE					
PROJECT NAME					
<b>TYPE</b>					
QTY					
ORDERING CODE	AE-DL-TGE	-	-	-D-P2750	-WH

## PRODUCT DIMENSIONS (in inches)

AE-DL-TGE-8-30W-D-P2750



Ceiling cut-out: 7 1/2" - 9 1/4" Ø

DATE					
PROJECT NAME					
TYPE					
QTY					
ORDERING CODE	AE-DL-TGE	-	-	-D-P2750	-WH

## ACCESSORIES

Ordered separately, field installed

## NEW CONSTRUCTION UNIVERSAL FRAME KIT

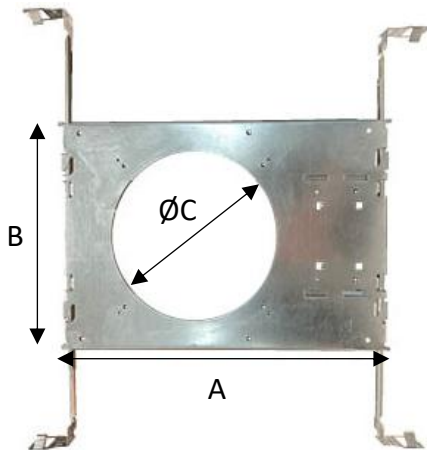


**MATERIAL** 22-gauge galvanized steel housing

**MOUNTING** T-bar or drywall ceilings  
Up to 1.5" thick

**Ordering Code** AE-DL-FRKT-06-UNV  
AE-DL-FRKT-08-UNV

## FRAME KIT DIMENSIONS



### DIMENSIONS

	A	
4" Round	A	12.75" [324 mm]
	B	8.63" [219 mm]
	C	Ø 4.50" [114 mm]
6" Round	A	12.75" [324mm]
	B	8.63" [219 mm]
	C	Ø 6.37" [162 mm]
8" Round	A	12.75" [324mm]
	B	8.63" [219 mm]
	C	Ø 7.25" [184 mm]

DATE					
PROJECT NAME					
<b>TYPE</b>					
QTY					
ORDERING CODE	AE-DL-TGE	-	-	-D-P2750	-WH

## ACCESSORIES(Continued)

Ordered separately, field installed

### EMERGENCY LED DRIVER (BLD-HMXXD-YYY)

BLD-HM8D-YYY

OUTPUT POWER : 8 WATTS

BLD-HM25D-YYY

OUTPUT POWER : 25 WATTS



**Single Flex(Standard)**

Easy Wiring

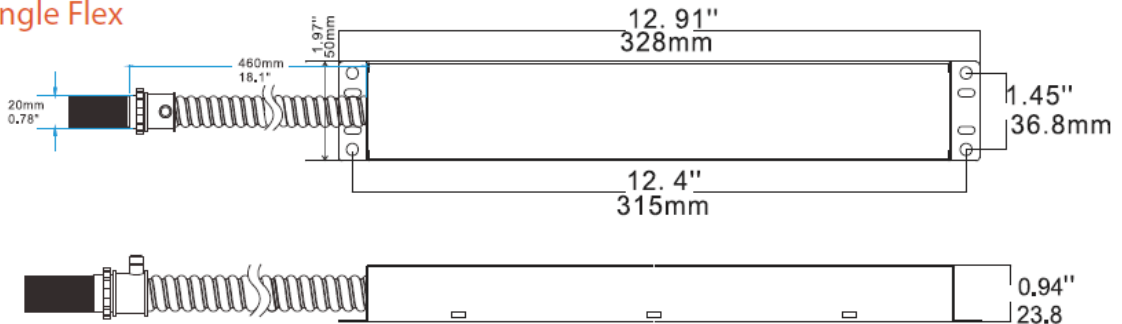
Certified For CA Title 20

Constant Power Performance

BLD-HMXXD-YYY series LED Emergency Driver is UL listed for field and factory installation that allows the same LED fixture to be used for both normal and emergency operation . In the event of a power failure , the emergency driver switches to emergency mode and operates the existing. Fixture to 90 minutes. The unit contains a battery , charge , and converter circuit in a single enclosure .This module will operate an LED array load at 6-25W with constant power at a rated output voltage of 170VDC. The constant power design of BLD-HMXXD-YYY maintains the output wattage to LED array, providing consistent illumination for entire emergency runtime. Ideal for use with most 0-10V dimmable indoor commercial LED lighting fixtures, such as LED flat panel, troffer, downlight and suspension mounting LED linear strip lights, etc.

### DIMENSIONS (inches and mm)

**Single Flex**



DATE					
PROJECT NAME					
<b>TYPE</b>					
QTY					
ORDERING CODE	AE-DL-TGE	-	-	-D-P2750	-WH

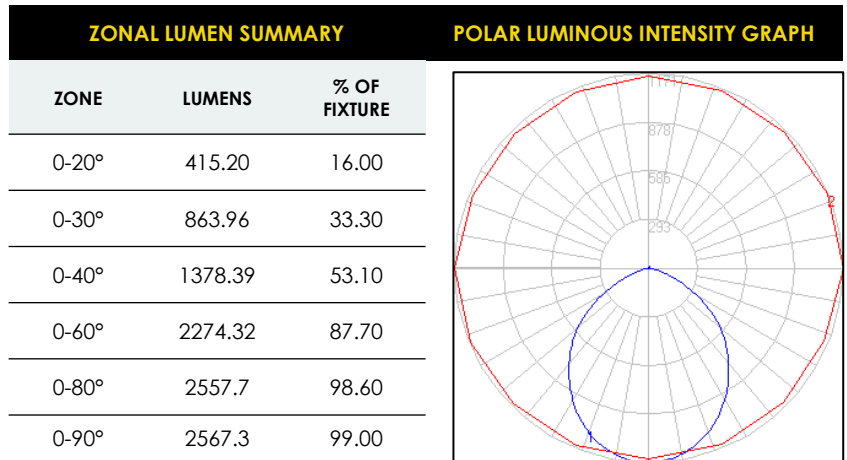
## LUMEN ESTIMATE

Lumen output varies based on CCT and CRI. An estimate of lumen output of the various CCT/CRI combinations, use correction factors as per table below:

LUMEN ESTIMATE ADJUSTMENT FACTORS					
CCT	2700K	3000K	3500K	4000K	5000K
PREMIUM (90CRI)	0.96	1	1.03	1.06	1.09

## PHOTOMETRIC DATA

AE-DL-TGE-8-30W-D-P2750



DATE					
PROJECT NAME					
<b>TYPE</b>					
QTY					
ORDERING CODE	AE-DL-TGE	-	-	-D-P2750	-WH

## OVERVIEW



### ENERGY EFFICIENT LUMINAIRE

Energy Star certified high-efficacy output of >75 lumens per watt at 90CRI.

### UNPARALLELED LIGHT FLEXIBILITY

Use the DIP switches on the top of the fixture's housing to switch between 3 lumen packages and 4 color temperature options from 2700K to 5000K.

### RETROFIT OR NEW CONSTRUCTION

Durable stainless steel spring action housing clips for retrofit installations or purchase with the new construction frame kit for new constructions.

### PREMIUM DESIGN AND CONSTRUCTION

Housing made from aluminum for increased rigidity and strength. Wet location rated and suitable for temperatures ranging from -20 to 40 degrees Celsius.