

TANGO EVOLVE

DOWNLIGHT

Commercial Downlight



eralux®



The TANGO series is the 6- and 8-inch commercial downlight family from ERALUX. This downlight features a spring mechanism that makes installation a breeze. It is perfect for retrofit and for new construction environment (junction box or frame kit required). The 6 inches can achieve up to 1500 lumens while the 8 inch can achieve 2500 lumens at 90 CRI, 3000K. The TANGO Series separates itself from competitor downlights by having selectable lumens, and CCT switches, enabling high flexibility at the project location.

DATE	
PROJECT NAME	
TYPE	
QTY	
ORDERING CODE	AE-DL-TGE - - -D-P2750 -WH

OPERATING & ELECTRICAL

INPUT VOLTAGE	120-277/347V
POWER FACTOR	0.9
DIMMING	0-10V Dimming (Dim down to 10%)
TOTAL HARMONIC DISTORTION(THD)	<20%

PERFORMANCE

LEMENS PER WATT	75-85 LPW at 90CRI
POWER CONSUMPTION	20W Max for 6 inch 30W Max for 8 inch
DISTRIBUTION	Lambertian

MECHANICAL & HOUSING

HOUSING	Aluminum
LENS	Highly durable polycarbonate and high transmittance lens
FINISH	White powder coat finish
POWER SUPPLY	Factory wired electronic LED driver
LED BOARD	COB

APPLICATION CONDITION

AMBIENT TEMPERATURE RANGE	-10 °C to 35°C
PROTECTION	Wet rated

COMPATIBLE MOUNTING

MOUNTING	New construction or retrofit Mounted with stainless steel spring-action housing clips
----------	--

WARRANTY

SYSTEM WARRANTY – 5 YEARS

Eralux will warrant defective drivers, LEDs and boards for 5 years from the date of purchase. This warranty is valid only if the fixture is installed and used as per installation guides and specifications. If a defect is present, Eralux will send drivers and boards at no fee with a thorough replacement instructions along with instructions on the return of the defective parts back to Eralux.

LUMEN MAINTENANCE – L70 at 50,000 hours

Rated for 70% initial lumen output at 50,000 hours of operation, operated at 25°C ambient temperature; per guidelines published by the Illuminating Engineering Society (IES)

TANGO EVOLVE

DOWNLIGHT
Commercial Downlight

DATE					
PROJECT NAME					
TYPE					
QTY					
ORDERING CODE	AE-DL-TGE	-	-	-D-P2750	-WH

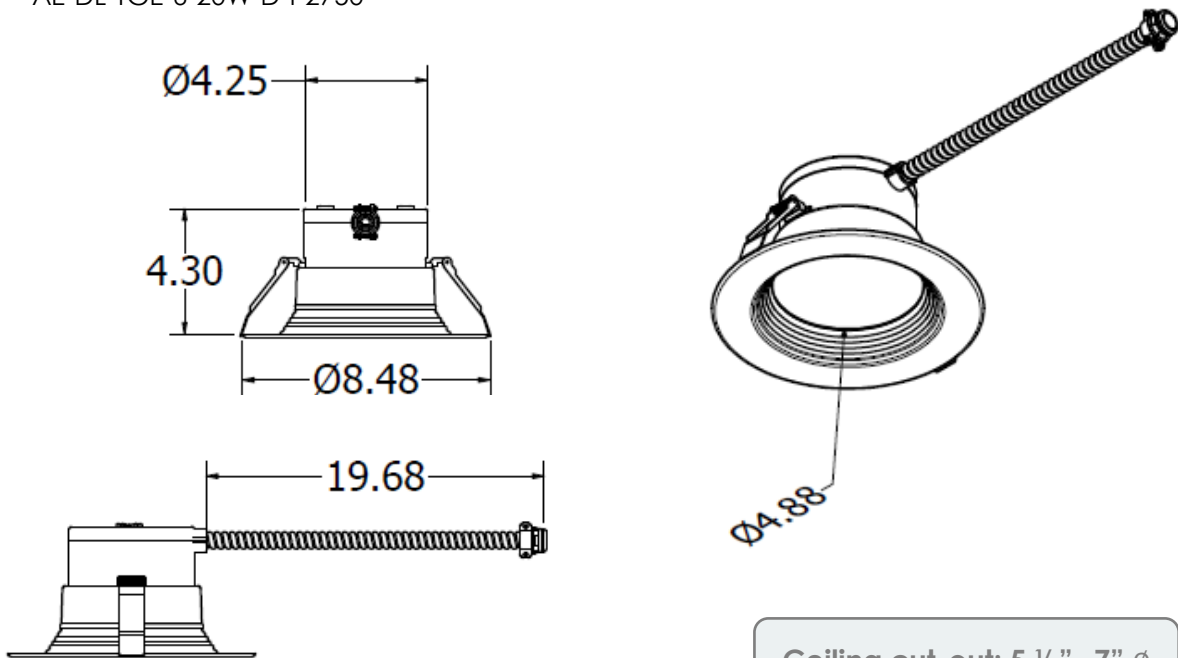
ORDERING GUIDE

EXAMPLE: AE-DL-TGE-6-20W-D-P2750-WH-1

FIXTURE FAMILY	SIZE	POWER	DIMMING	CRI	CCT	FINISH
AE-DL-TGE	-	-	-D	-P	2750	-WH-1
AE-DL-TGE ERALUX Tango Series downlight	-6 6 inch	-20W 20 Watts 12-15-20W Selectable Power. 1000-1500-2000 lms	-D 0-10V Dimming	P Premium 90 CRI	2750 2700K/3000K/3500K/ 4000K/5000K Selectable CCT	-WH-1 WHITE FINISH
	-8 8 inch	-30W 30 Watts 20-25-30W Selectable Power. 1500-2000-2500 Lms				

PRODUCT DIMENSIONS (inches)

AE-DL-TGE-6-20W-D-P2750



Ceiling cut-out: 5 1/2" - 7" Ø

eralux®
TANGO EVOLVE

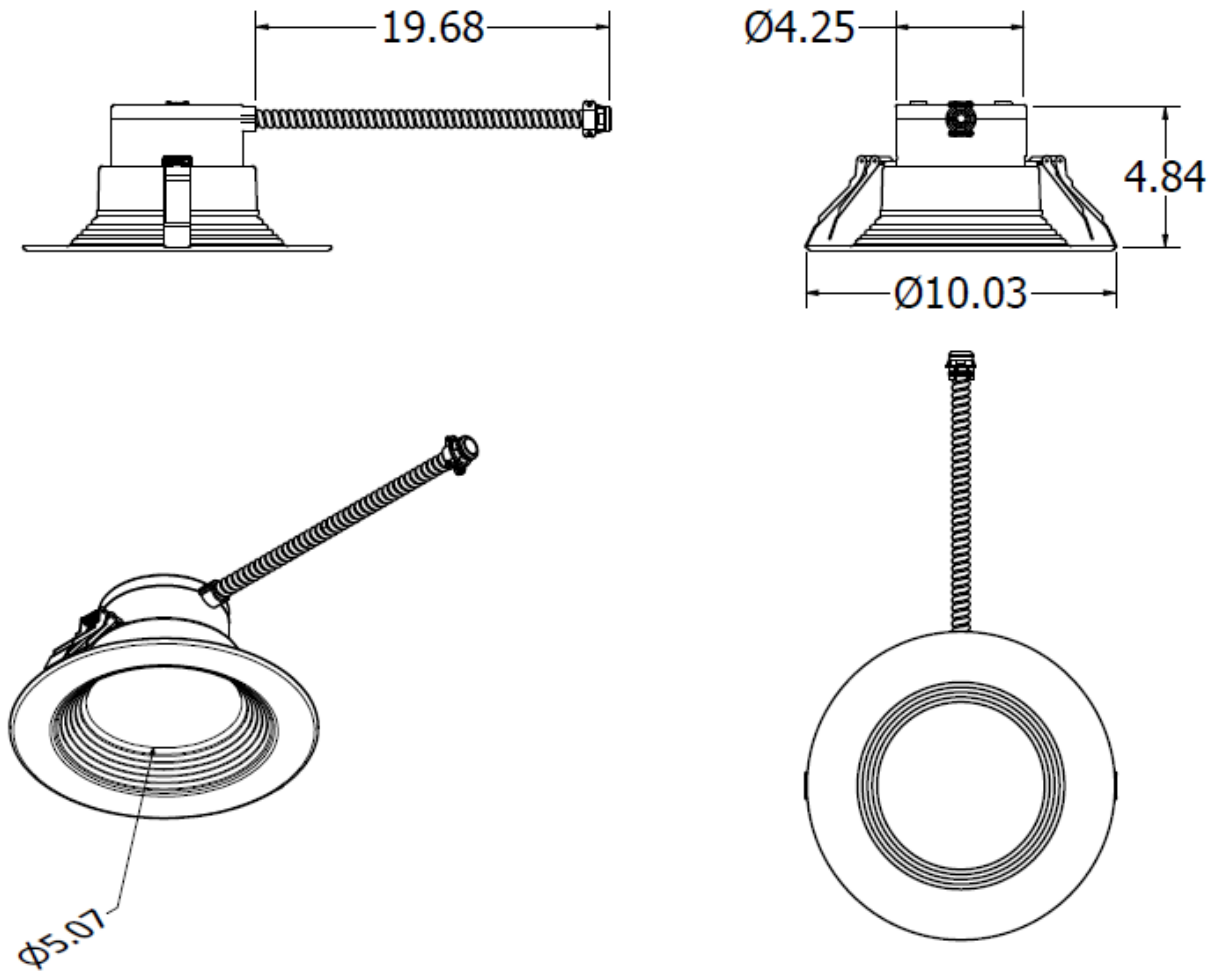
DOWNLIGHT

Commercial Downlight

DATE	
PROJECT NAME	
TYPE	
QTY	
ORDERING CODE	AE-DL-TGE - - -D-P2750 -WH

PRODUCT DIMENSIONS (in inches)

AE-DL-TGE-8-30W-D-P2750



Ceiling cut-out: 7 1/2" - 9 1/4" Ø

TANGO EVOLVE

DOWNLIGHT

Commercial Downlight

DATE					
PROJECT NAME					
TYPE					
QTY					
ORDERING CODE	AE-DL-TGE	-	-	-D-P2750	-WH

ACCESSORIES

Ordered separately, field installed

NEW CONSTRUCTION UNIVERSAL FRAME KIT

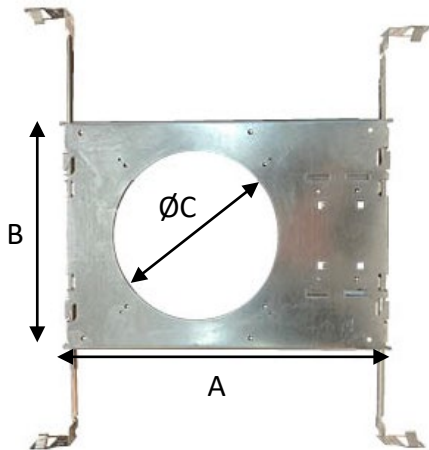


MATERIAL 22-gauge galvanized steel housing

MOUNTING T-bar or drywall ceilings
Up to 1.5" thick

Ordering Code AE-DL-FRKT-06-UNV
AE-DL-FRKT-08-UNV

FRAME KIT DIMENSIONS



DIMENSIONS

	A	
4" Round	A	12.75" [324 mm]
	B	8.63" [219 mm]
	C	Ø 4.50" [114 mm]
6" Round	A	12.75" [324mm]
	B	8.63" [219 mm]
	C	Ø 6.37" [162 mm]
8" Round	A	12.75" [324mm]
	B	8.63" [219 mm]
	C	Ø 7.25" [184 mm]

DATE					
PROJECT NAME					
TYPE					
QTY					
ORDERING CODE	AE-DL-TGE	-	-	-D-P2750	-WH

ACCESSORIES(Continued)

Ordered separately, field installed

EMERGENCY LED DRIVER (BLD-HMXXD-YYY)

BLD-HM8D-YYY

OUTPUT POWER : 8 WATTS

BLD-HM25D-YYY

OUTPUT POWER : 25 WATTS



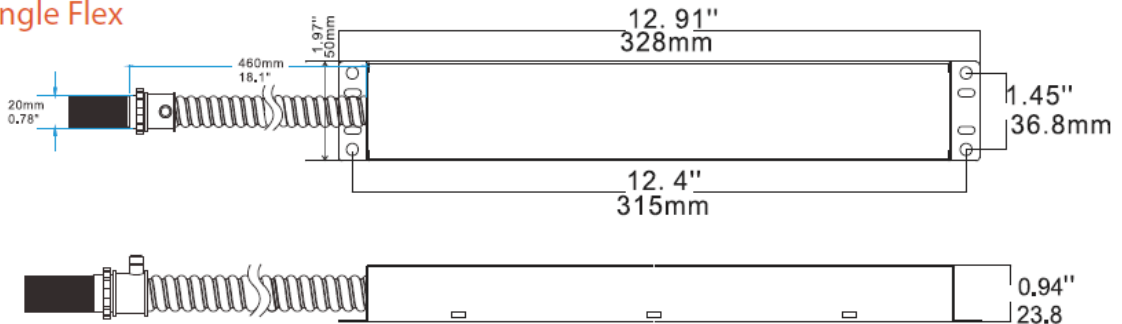
Single Flex(Standard)

- Easy Wiring
- Certified For CA Title 20
- Constant Power Performance

BLD-HMXXD-YYY series LED Emergency Driver is UL listed for field and factory installation that allows the same LED fixture to be used for both normal and emergency operation . In the event of a power failure , the emergency driver switches to emergency mode and operates the existing. Fixture to 90 minutes. The unit contains a battery , charge , and converter circuit in a single enclosure .This module will operate an LED array load at 6-25W with constant power at a rated output voltage of 170VDC. The constant power design of BLD-HMXXD-YYY maintains the output wattage to LED array, providing consistent illumination for entire emergency runtime. Ideal for use with most 0-10V dimmable indoor commercial LED lighting fixtures, such as LED flat panel, troffer, downlight and suspension mounting LED linear strip lights, etc.

DIMENSIONS (inches and mm)

Single Flex



eralux®

TANGO EVOLVE

Commercial Downlight

DATE					
PROJECT NAME					
TYPE					
QTY					
ORDERING CODE	AE-DL-TGE	-	-	-D-P2750	-WH

LUMEN ESTIMATE

Lumen output varies based on CCT and CRI. An estimate of lumen output of the various CCT/CRI combinations, use correction factors as per table below:

LUMEN ESTIMATE ADJUSTMENT FACTORS					
CCT	2700K	3000K	3500K	4000K	5000K
PREMIUM (90CRI)	0.96	1	1.03	1.06	1.09

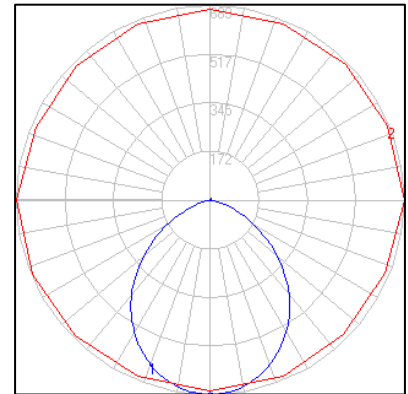
PHOTOMETRIC DATA

AE-DL-TGE-6-20W-D-P2750

ZONAL LUMEN SUMMARY

ZONE	LUMENS	% OF FIXTURE
0-20°	320.73	15.7
0-30°	670.63	32.7
0-40°	1076.01	52.5
0-60°	1783.48	87
0-80°	2039.32	99.5
0-90°	2049.28	100

POLAR LUMINOUS INTENSITY GRAPH

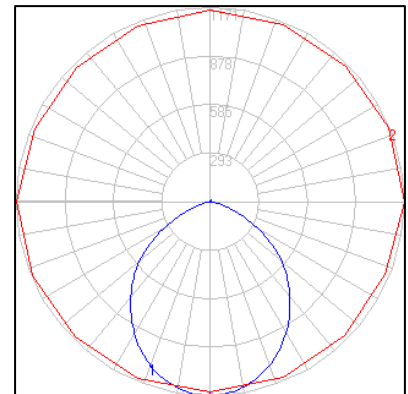


AE-DL-TGE-8-30W-D-P2750

ZONAL LUMEN SUMMARY

ZONE	LUMENS	% OF FIXTURE
0-20°	415.20	16.00
0-30°	863.96	33.30
0-40°	1378.39	53.10
0-60°	2274.32	87.70
0-80°	2557.7	98.60
0-90°	2567.3	99.00

POLAR LUMINOUS INTENSITY GRAPH



DATE					
PROJECT NAME					
TYPE					
QTY					
ORDERING CODE	AE-DL-TGE	-	-	-D-P2750	-WH

OVERVIEW



ENERGY EFFICIENT LUMINAIRE

Energy Star certified high-efficacy output of >75 lumens per watt at 90CRI.

UNPARALLELED LIGHT FLEXIBILITY

Use the DIP switches on the top of the fixture's housing to switch between 3 lumen packages and 4 color temperature options from 2700K to 5000K.

RETROFIT OR NEW CONSTRUCTION

Durable stainless steel spring action housing clips for retrofit installations or purchase with the new construction frame kit for new constructions.

PREMIUM DESIGN AND CONSTRUCTION

Housing made from aluminum for increased rigidity and strength. Wet location rated and suitable for temperatures ranging from -20 to 40 degrees Celsius.