

# TERRA CANOPY

eralux®

## SURFACE MOUNT CANOPY LED LIGHT

### Round Canopy Light | 3" Aperture

Equipped with a power supply, the TERRA series is capable of more than other canopy lights. TERRA Solar Canopy comes with a programmable driver, smart controls capabilities, and is dimmer compatible. The TERRA Solar Canopy is a single point surface adapter that can seamlessly fit onto any surface. Like the TERRA Solar, the fixture will offer a spot beam of light with various angle options. The LED head can lock into place at various angles; you can choose a straight downlight or a perpendicular light to the wall. Terra series comes with tri-mode dimming (Triac, ELV, 0-10V), no flickering and capable of dimming down to 10%.

Applications: Art Galleries | Show Rooms | Retail Stores | Hospitality.

	DATE	QTY	ACC. QTY	TYPE
PROJECT				
PN				
ACCESSORY PN				
NOTES				



#### DYNAMIC MENU

Order Information	<a href="#">Page 2</a>
Dimensions	<a href="#">Page 2</a>
Accessories	<a href="#">Page 3</a>
Photometric Data	<a href="#">Page 4</a>

[Install Instruction link](#)

#### SPECIFICATIONS

Input Voltage	120-277V
Power Factor	>0.9
Total Harmonic Distortion	<20%
Dimming <a href="#">Page 3</a>	TRIAC dimming, 0-10V
CRI	90 CRI
CCT	<div style="display: flex; gap: 10px;"> <div style="background-color: #fff9c4; border-radius: 50%; padding: 2px 5px;">27K</div> <div style="background-color: #fff176; border-radius: 50%; padding: 2px 5px;">30K</div> <div style="background-color: #e0e0e0; border-radius: 50%; padding: 2px 5px;">35K</div> <div style="background-color: #bbdefb; border-radius: 50%; padding: 2px 5px;">40K</div> </div>
Efficacy	~52-56 lm/W
Power	30 W
Ambient Temperature Range	-10°C to 35°C
Mounting Options	Canopy
Fixture Finish	Black   White   Silver
Distribution	Narrow   Flood   Wide   Very Wide 



#### PRODUCT CERTIFICATIONS



#### SYSTEM WARRANTY – 5 YEARS

Eralux will warrant defective drivers, LEDs and boards for 5 years from the date of purchase. This warranty is valid only if the fixture is installed and used as per installation guides and specifications. If a defect is present, Eralux will send drivers and boards at no fee with a thorough replacement instructions along with instructions on the return of the defective parts back to Eralux.

#### LUMEN MAINTENANCE – L85 at 50,000 hours

Rated for 85% initial lumen output at 50,000 hours of operation, operated at 25°C ambient temperature; per guidelines published by the Illuminating Engineering Society (IES).

## SURFACE MOUNT CANOPY

Canopy Light | 3" Aperture



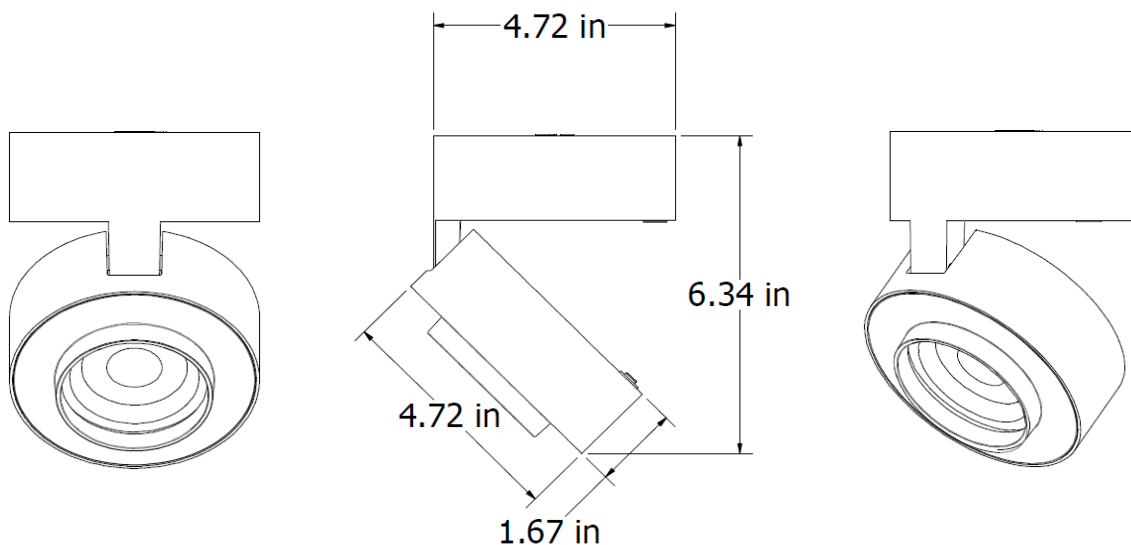
### ORDERING GUIDE

<b>AE-TL-TRC</b>	<b>-30</b>	<b>-UV</b>		<b>P</b>		
<b>AE-TL-TRC</b> ERALUX Terra Canopy Light	<b>-30</b> 30 Watts  1560 lumens At 30K  1685 lumens At 35K and 40K	<b>-UV</b> 120-277V	<b>NF</b> Narrow Flood 20° <b>FL</b> Flood 25° <b>WF</b> Wide Flood 35° <b>VF</b> Very Wide Flood 50°	<b>P</b> Premium 90 CRI	<b>30</b> 3000K <b>35</b> 3500K <b>40</b> 4000K	<b>BK</b> Black powder coat <b>WH</b> White powder coat <b>SV</b> Silver powder Coat

Fixture Family	Wattage	Voltage	Distribution	CRI	CCT	Finish
----------------	---------	---------	--------------	-----	-----	--------

### DIMENSIONS

- Rotation up to 355°
- Tilt +/- 90°



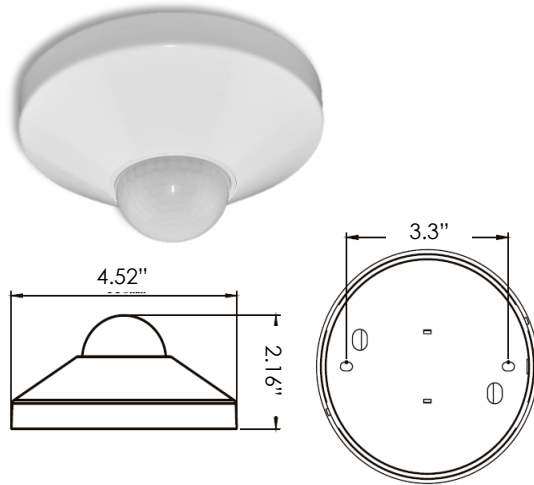
## SURFACE MOUNT CANOPY

Canopy Light | 3" Aperture

### ROOM OCCUPANCY SENSOR

Ordered separately, field installed

PART NUMBER	DESCRIPTION
AE-CT-DT806	Detecta – Room Occupancy Sensor
RC102	RC102 Remote Control



SPECIFICATIONS		
<b>Input Voltage</b>	120-277 Vac	
<b>Power Frequency</b>	50/60HZ	
<b>Rated Load</b>	At 120 Vac	800W
	At 277 Vac	1200W
<b>Detection Range</b>	3-10 Meters	
	9.8-32.75 Feet	
<b>Standby Power</b>	~0.9W	
<b>Time Setting</b>	10 sec to 30 min	
<b>Light Control</b>	10-2,000LUX	
<b>Installation</b>	Ceiling Mounted	

### DIMMER COMPATIBILITY LIST

TRIAC/ELV Dimming

Brand	Model	Brand	Model
Leviton	6602-X	Lutron	SLV-600
	6681-X		S2-LX
	6683-X		GL-600H
	6684-X		NFTU-5A
	6633		DVLV-600P
	6674	Cooper	9530XXX
	IPI06-1LZ	Lightolier	MP600X
	700-X	Advance	SR150LED120
	705-X		

0-10V Dimming

Brand	Model
Lutron, Nova Series	NFTV
Lutron, DIVA Series	DVTV
Leviton, Illumatech	IP710-DL

## SURFACE MOUNT CANOPY

Canopy Light | 3" Aperture

### LUMEN ESTIMATE

Lumen output varies based on CCT and CRI. An estimate of lumen output of the various CCT/CRI combinations, use correction factors as per table below:

LUMEN ESTIMATE ADJUSTMENT FACTORS		
CCT	3000K	4000K
90CRI	0.86	0.93

### PHOTOMETRIC DATA

PART NUMBER		ZONAL LUMEN SUMMARY			POLAR LUMINOUS INTENSITY		CONE DISTRIBUTION		
AE-TL-TRC-30-UVNFP30XX		Zone	Lumens	% Fixture	Direct Light		Center Beam Fc		Beam Width
Wattage	30W	0-20°	1640.48	72.4		1.7ft	1046 fc	0.6 ft	0.6 ft
CCT	3000K	0-30°	1996.08	88.1		3.3ft	278 fc	1.2 ft	1.3 ft
Distribution	20°	0-40°	2131.65	94.1		5.0ft	121 fc	1.9 ft	1.9 ft
		0-60°	2197.96	97.0		6.7ft	67.4 fc	2.5 ft	2.5 ft
		0-80°	2216.87	97.8		8.3ft	43.9 fc	3.1 ft	3.2 ft
		0-90°	2223.98	98.2		10.0ft	30.2 fc	3.8 ft	3.8 ft
							■ Vert. Spread: 21.3° ■ Horiz. Spread: 21.5°		

PART NUMBER		ZONAL LUMEN SUMMARY			POLAR LUMINOUS INTENSITY		CONE DISTRIBUTION		
AE-TL-TRC-30-UVFLP30XX		Zone	Lumens	% Fixture	Direct Light		Center Beam Fc		Beam Width
Wattage	30W	0-20°	1620.85	70.2		1.7ft	851 fc	0.8 ft	0.8 ft
CCT	3000K	0-30°	2004.27	86.8		3.3ft	226 fc	1.6 ft	1.6 ft
Distribution	25°	0-40°	2157.60	93.4		5.0ft	98.4 fc	2.4 ft	2.4 ft
		0-60°	2237.64	96.9		6.7ft	54.8 fc	3.2 ft	3.2 ft
		0-80°	2259.31	97.8		8.3ft	35.7 fc	3.9 ft	4.0 ft
		0-90°	2266.96	98.2		10.0ft	24.6 fc	4.7 ft	4.8 ft
							■ Vert. Spread: 26.6° ■ Horiz. Spread: 26.9°		

PART NUMBER		ZONAL LUMEN SUMMARY			POLAR LUMINOUS INTENSITY		CONE DISTRIBUTION		
AE-TL-TRC-30-UVWFP30XX		Zone	Lumens	% Fixture	Direct Light		Center Beam Fc		Beam Width
Wattage	30W	0-20°	1167.00	54.4		1.7ft	625 fc	1.1 ft	1.1 ft
CCT	3000K	0-30°	1723.86	80.3		3.3ft	166 fc	2.2 ft	2.2 ft
Distribution	35°	0-40°	1955.85	91.1		5.0ft	72.2 fc	3.3 ft	3.3 ft
		0-60°	2072.63	96.6		6.7ft	40.2 fc	4.4 ft	4.4 ft
		0-80°	2097.09	97.7		8.3ft	26.2 fc	5.5 ft	5.5 ft
		0-90°	2104.48	98.0		10.0ft	18.1 fc	6.6 ft	6.6 ft
							■ Vert. Spread: 36.4° ■ Horiz. Spread: 36.4°		

PART NUMBER		ZONAL LUMEN SUMMARY			POLAR LUMINOUS INTENSITY		CONE DISTRIBUTION		
AE-TL-TRC-30-UVVFP30XX		Zone	Lumens	% Fixture	Direct Light		Center Beam Fc		Beam Width
Wattage	30W	0-20°	918.45	43.3		1.7ft	426 fc	2.1 ft	2.1 ft
CCT	3000K	0-30°	1513.48	71.4		3.3ft	113 fc	4.0 ft	4.0 ft
Distribution	50°	0-40°	1873.72	88.4		5.0ft	49.3 fc	6.1 ft	6.1 ft
		0-60°	2036.59	96.0		6.7ft	27.4 fc	8.1 ft	8.2 ft
		0-80°	2069.10	97.6		8.3ft	17.9 fc	10.1 ft	10.1 ft
		0-90°	2078.11	98.0		10.0ft	12.3 fc	12.1 ft	12.2 ft
							■ Vert. Spread: 62.4° ■ Horiz. Spread: 62.6°		

### OVERVIEW



#### Innovative Design

- Die cast aluminum housing for better heat dissipation.
- Improved design extends LED and driver lifespan.



#### Multiple Options

- Multiple beam angles.
- Three CCTs available.
- Black, white, and silver finishes.



#### Tests And Certifications



#### Mountings Available

- Single surface mount canopy allows you to place lights with no restriction from the track direction.

