

TERRA CANOPY

SURFACE MOUNT CANOPY

Canopy Light



eralux®



The TERRA CANOPY wall washer is a powerful choice for your next retail project, equipped with a power supply, the TERRA series is capable of more than other track lights. TERRA CANOPY comes with a programmable driver, smart controls capabilities, and is dimmer compatible. The TERRA CANOPY is a single point surface adapter that can seamlessly fit onto any surface. Like the TERRA, the fixture will offer a double asymmetric beam of light. The LED head can lock into place at various angles, you can choose a straight downlight or a perpendicular light to the wall. Terra series comes with tri-mode dimming (Triac, ELV, 0-10V), no flickering and capable of dimming down to 10%.

DATE	
PROJECT NAME	
TYPE	
QTY	
ORDERING CODE	AE-TL-TRC-UV-DAP

OPERATING & ELECTRICAL

INPUT VOLTAGE	120 – 277 V
POWER FACTOR	>0.9
TOTAL HARMONIC DISTORTION (THD)	<30%
DIMMING	TRIAC (LE/TE) 0 – 10 V

PERFORMANCE

LUMENS PER WATT	62.4 – 67 LPW at 90CRI
POWER CONSUMPTION	30W
DISTRIBUTION	Double Asymmetrical, 25°

MECHANICAL & HOUSING

HOUSING	Aluminum die cast
LENS	Highly durable polycarbonate and high transmittance lens
FINISH	Black, White, Silver
POWER SUPPLY	Factory Wire Electronic LED driver
LED BOARD	COB

APPLICATION CONDITION

AMBIENT TEMPERATURE RANGE	-10 °C to 35°C
---------------------------	----------------

COMPATIBLE MOUNTING

MOUNTING	Canopy
----------	--------

WARRANTY

SYSTEM WARRANTY – 5 YEARS

Eralux will warrant defective drivers, LEDs and boards for 5 years from the date of purchase. This warranty is valid only if the fixture is installed and used as per installation guides and specifications. If a defect is present, Eralux will send drivers and boards at no fee with a thorough replacement instructions along with instructions on the return of the defective parts back to Eralux.

LUMEN MAINTENANCE – L85 at 50,000 hours

Rated for 85% initial lumen output at 50,000 hours of operation, operated at 25°C ambient temperature; per guidelines published by the Illuminating Engineering Society (IES)

TERRA CANOPY

SURFACE MOUNT CANOPY

Canopy Light

DATE	
PROJECT NAME	
TYPE	
QTY	
ORDERING CODE	AE-TL-TRC-UV-DAP

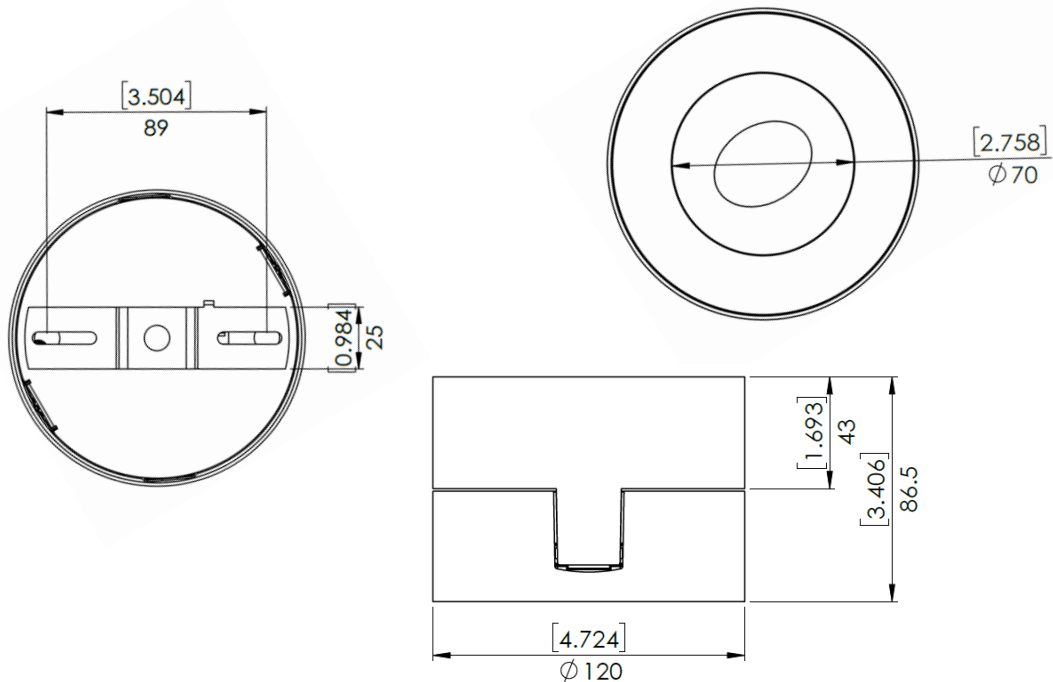
ORDERING GUIDE

EXAMPLE: AE-TL-TRC-UV-DAP30J1BK

FIXTURE FAMILY	VOLTAGE	DISTRIBUTION	CRI	CCT	FINISH
AE-TL-TRC	-UV	-DA	P		
AE-TL-TRC ERALUX TERRA CANOPY light	-UV 120 – 277V	-DA 30 watts: 1340 lumens at 3000K Double Asymmetrical, 25° CBCP 90CRI: 916	P Premium 90 CRI	30 3000K CCT	BK Black powder coat finish
				35 3500K CCT	WH White powder coat finish
				40 4000K CCT	SV Silver powder coat finish

PRODUCT DIMENSIONS

AE-TL-TRC-UV-DAPXXXX



TERRA CANOPY

SURFACE MOUNT CANOPY
Canopy Light

DATE	
PROJECT NAME	
TYPE	
QTY	
ORDERING CODE	AE-TL-TRC-UV-DAP

LUMEN ESTIMATE

Lumen output varies based on CCT and CRI. An estimate of lumen output of the various CCT/CRI combinations, use correction factors as per table below:

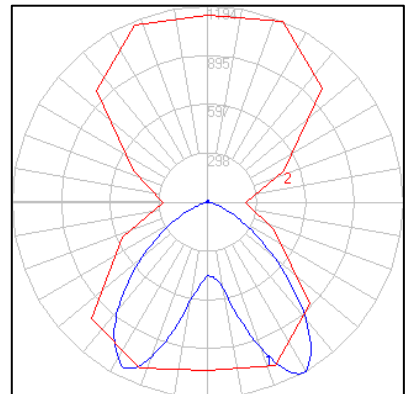
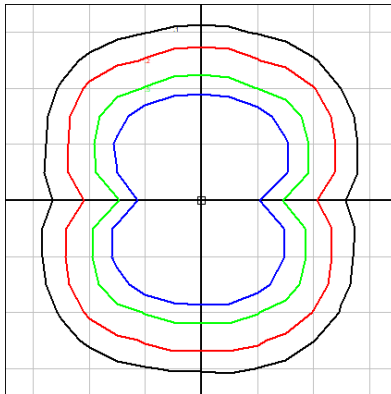
LUMEN ESTIMATE ADJUSTMENT FACTORS		
CCT	3000K	4000K
PREMIUM (90CRI)	.86	.93

PHOTOMETRIC DATA

GRID DISTANCES WITH A MOUNTING HEIGHT OF 10' AFG

POLAR LUMINOUS INTENSITY GRAPHS

AE-TL-TRC-UV-DAP30XX



DIMMER COMPATIBILITY LIST

TRIAC/ELV Dimmer @120VAC
Lutron SLV-600X
Lutron S2-LX
Lutron GL-600H
Lutron NFTU-5A
Lutron DVLV-600P
Leviton 6602-X
Leviton 6681-X
Leviton 6683-X
Leviton 6684-X

TRIAC/ELV Dimmer @120VAC
Leviton 700-X
Leviton 705-X
Leviton 6633
Leviton 6674
Leviton IPI06-1LZ
Cooper 9530XXX
Lightolier MP600X
Advance SR150LED120

0-10V Dimmer @120VAC
Lutron, Diva series (part number DDTV)
Lutron, Nova series (part number NFTV)
Leviton, IllumaTech series (part number IP710-DL)

TERRA CANOPY

SURFACE MOUNT CANOPY

Canopy Light

DATE	
PROJECT NAME	
TYPE	
QTY	
ORDERING CODE	AE-TL-TRC-UV-DAP

OVERVIEW



SURFACE MOUNT CANOPY LIGHT

Single surface mount canopy allows you to place the lights with no restriction from the track direction. Or choose from any of the popular track systems such as Juno, Halo, Lightolier, or Global.

PREMIUM DESIGN

Aluminum die-cast materials selected for efficient thermal heat dissipation, enhanced structural rigidity maximizing LED life and driver function.

PAINT FINISH

Factory standard in black, white, and silver. Contact for custom paint finishes to enhance your fixture to suit your project space.

MULTIPLE OPTIONS

Customize your track head by selecting from a variety of CCT options allowing you to have a unique fixture that suits your project.

DOUBLE ASYMMETRICAL LENS

DA lens is to deliver bat-wing light projecting to shelves at two side of corridor with minimum on-axis light coming from top. Using one column of light heads for double-side lighting purpose.