

TERRA CRESCENT

eralux®

TRACK LED LIGHT

Round Track Head | 3" Aperture | Wall Wash

The TERRA CRESCENT wall wash series is a versatile lighting solution that delivers 30W power and 54-58 lumens per watt efficiency with both double asymmetrical distribution at 90° and single asymmetrical distribution at 30° x 45°. Constructed from durable aluminum die-cast housing in three colors, it features a programmable driver, smart control, and dimmer compatibility for customizable lighting.

Applications: Art Galleries | Show Rooms | Retail Stores | Hospitality.

DATE	QTY	ACC. QTY	TYPE
PROJECT			
PN			
ACCESSORY PN			
NOTES			



DYNAMIC MENU

Order Information	Page 2
Dimensions	Page 3
Accessories	Page 3
Photometric Data	Page 5

[Install Instruction link](#)

SPECIFICATIONS

Input Voltage	120-277V
Power Factor	>0.9
Total Harmonic Distortion	<20%
Dimming Page 4	TRIAC dimming
CRI	90 CRI
CCT	27K 30K 35K 40K
Efficacy	~54-58 lm/W
Power	30 W
Ambient Temperature Range	-10°C to 35°C
Mounting Adapter	Juno Global Halo Lightolier
Mounting Options	Track System Monopoint
Fixture Finish	Black White Silver
Distribution	Single Double Asymmetrical 



PRODUCT CERTIFICATIONS



SYSTEM WARRANTY – 5 YEARS

Eralux will warrant defective drivers, LEDs and boards for 5 years from the date of purchase. This warranty is valid only if the fixture is installed and used as per installation guides and specifications. If a defect is present, Eralux will send drivers and boards at no fee with a thorough replacement instructions along with instructions on the return of the defective parts back to Eralux.

LUMEN MAINTENANCE – L70 at 50,000 hours

Rated for 70% initial lumen output at 50,000 hours of operation, operated at 25°C ambient temperature; per guidelines published by the Illuminating Engineering Society (IES).

TRACK LED LIGHT

Round Track Head | 3" Aperture | Wall Wash



ORDERING GUIDE

AE-TL-TR	-UV		P			
AE-TL-TR ERALUX Terra Crescent Track Head	-UV 120-277V	-SA 30 W 1620 lms Single Asymmetrical 30°x45° -DA 30 W 1620 lms Double Asymmetrical 90°	P Premium 90 CRI	27 2700K 30 3000K 35 3500K 40 4000K	J1 Juno G1 Global H1 Halo L1 Lightolier	BK Black powder coat WH White powder coat SV Silver powder Coat
Fixture Family	Voltage	Distribution	CRI	CCT	Adapter	Finish



ORDERING GUIDE-ACCESSORIES

Ordered separately

T10016 Monopoint Mounting T10017 Duopoint Mounting	-BK Black -WH White
Mounting	Finish

ORDERING GUIDE- TRACK SYSTEM

Track system and components are ordered with the track head if needed.

Refer to the links below for more information

T1
ERALUX Track T1
Compatible with Juno system-1 circuit

T2
ERALUX Track T2
Compatible with Juno system-2 circuit

H1
ERALUX Track H1
Compatible with Halo system-1 circuit

- 2** 2ft track
- 4** 4ft track
- 6** 6ft track
- 8** 8ft track
- 12** 12ft track
- 0001** Mini I Connector
- 0002** T Connector
- 0003** L Connector
- 0004** X Connector
- 0015** End Feed

-BK
Black Finish

-WH
White Finish

Track System	Components	Finish	PN	QTY
--------------	------------	--------	----	-----

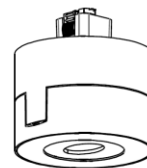
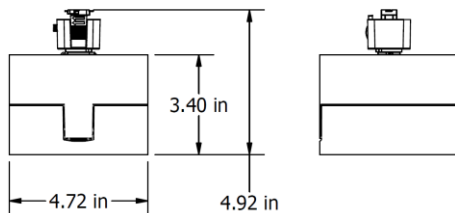
TRACK LED LIGHT

Round Track Head | 3" Aperture | Wall Wash

DIMENSIONS

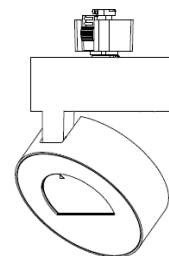
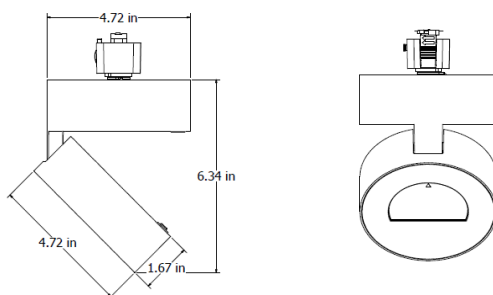
AE-TL-TR-UV-DA-P

- Rotation up to 355°
- Tilt +/- 90°



AE-TL-TR-UV-SA-P

- Rotation up to 355°
- Tilt +/- 90°



ACCESSORIES

MOUNTING

ORDERING CODE		DESCRIPTION	PICTURE
T10016	-WH	Monopoint adapter Surface / wall mount Compatible with Juno system 1 Track head can be installed.	
	-BK		
T10017	-WH	Duopoint adapter Surface / wall mount Compatible with Juno system. 2 Track heads can be installed.	
	-BK		

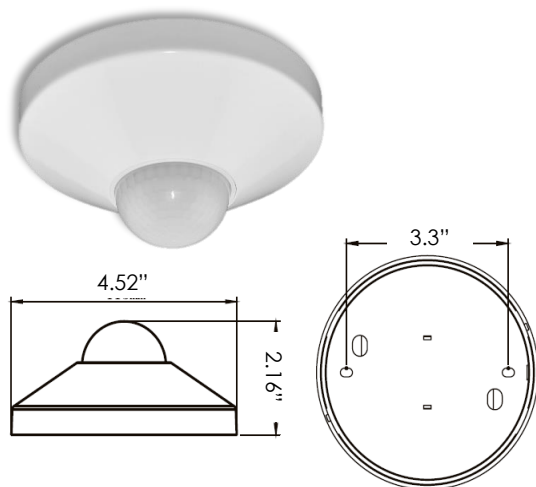
TRACK LED LIGHT

Round Track Head | 3" Aperture | Wall Wash

ROOM OCCUPANCY SENSOR

Ordered separately, field installed

PART NUMBER	DESCRIPTION
AE-CT-DT806	Detecta - Room Occupancy Sensor
RC102	RC102 Remote Control



SPECIFICATIONS		
Input Voltage	120-277 Vac	
Power Frequency	50/60HZ	
Rated Load	At 120 Vac	800W
	At 277 Vac	1200W
Detection Range	3-10 Meters	
	9.8-32.75 Feet	
Standby Power	~0.9W	
Time Setting	10 sec to 30 min	
Light Control	10-2,000LUX	
Installation	Ceiling Mounted	

DIMMER COMPATIBILITY LIST

TRIAC/ELV Dimming

Brand	Model	Brand	Model
Leviton	6602-X	Lutron	SLV-600
	6681-X		S2-LX
	6683-X		GL-600H
	6684-X		NFTU-5A
	6633		DVLV-600P
	6674	Cooper	9530XXX
	IPI06-1LZ	Lightolier	MP600X
	700-X	Advance	SR150LED120
	705-X		

0-10V Dimming

Brand	Model
Lutron, Nova Series	NFTV
Lutron, DIVA Series	DVTV
Leviton, Illumatech	IP710-DL

TRACK LED LIGHT

Round Track Head | 3" Aperture | Wall Wash

LUMEN ESTIMATE

Lumen output varies based on CCT and CRI. An estimate of lumen output of the various CCT/CRI combinations, use correction factors as per table below:

LUMEN ESTIMATE ADJUSTMENT FACTORS			
CCT	3000K	3500K	4000K
90CRI	1	1.03	1.06

PHOTOMETRIC DATA

PART NUMBER	ZONAL LUMEN SUMMARY			POLAR LUMINOUS INTENSITY	CONE DISTRIBUTION				
AE-TL-TR-UV-SAP30X1XX	Zone	Lumens	% Fixture	Direct Light	Center Beam Fc	Beam Width			
Wattage	30W	0-20°	602.96	37.80		1.7ft	737 fc	1.2 ft	1.3 ft
CCT	3000K	0-30°	997.36	62.50		3.3ft	196 fc	2.3 ft	2.5 ft
Distribution	35°x45°	0-40°	1232.77	77.30		5.0ft	85.2 fc	3.5 ft	3.8 ft
		0-60°	1458.45	91.50		6.7ft	47.5 fc	4.7 ft	5.0 ft
		0-80°	1545.89	96.90		8.3ft	30.9 fc	5.8 ft	6.3 ft
		0-90°	1555.88	97.60		10.0ft	21.3 fc	7.0 ft	7.5 ft
						■ Vert. Spread: 38.7° ■ Horiz. Spread: 41.3°			

PART NUMBER	ZONAL LUMEN SUMMARY			POLAR LUMINOUS INTENSITY	CONE DISTRIBUTION				
AE-TL-TR-UV-DAP30X1XX	Zone	Lumens	% Fixture	Direct Light	Center Beam Fc	Beam Width			
Wattage	30W	0-20°	222.95	10.90		1.7ft	156 fc	3.0 ft	1.1 ft
CCT	3000K	0-30°	588.88	28.70		3.3ft	41.4 fc	5.9 ft	2.1 ft
Distribution	90°	0-40°	1070.34	52.10		5.0ft	18 fc	8.9 ft	3.2 ft
		0-60°	1813.87	88.40		6.7ft	10 fc	12.0 ft	4.3 ft
		0-80°	1999.05	97.40		8.3ft	6.54 fc	14.8 ft	5.4 ft
		0-90°	2009.65	97.90		10.0ft	4.51 fc	17.8 ft	6.5 ft
						■ Vert. Spread: 83.5° ■ Horiz. Spread: 35.8°			

TRACK LED LIGHT

Round Track Head | 3" Aperture | Wall Wash

OVERVIEW



Innovative Design

- Die cast aluminum housing for better heat dissipation.
- Improved design extends LED and driver lifespan.



Multiple Options

- Double and Single Asymmetrical Beam Angle
- Four CCTs available.
- Black, white, and silver finishes.



Mountings Available

- Choose from any of the popular track systems such as Juno, Halo, Lightolier, or Global.
- Surface mount with either monopoint or duopoint adapters.



Tests And Certifications



Single Asymmetric



Double Asymmetric