

TERRA CRESCENT

eralux®

TRACK LED LIGHT

Round Track Head | 3" Aperture | Wall Wash

The TERRA CRESCENT wall wash series is a versatile lighting solution that delivers 30W power and 54-58 lumens per watt efficiency with both double asymmetrical distribution at 90° and single asymmetrical distribution at 30° x 45°. Constructed from durable aluminum die-cast housing in three colors, it features a programmable driver, smart control, and dimmer compatibility for customizable lighting.

Applications: Art Galleries | Show Rooms | Retail Stores | Hospitality

	DATE	QTY	ACC. QTY	TYPE
PROJECT				
PN				
ACCESSORY PN				
NOTES				

DYNAMIC MENU	
Order Information	Page 2
Dimensions	Page 3
Accessories	Page 3
Photometric Data	Page 5

[Install Instruction Link](#)



SPECIFICATIONS

Input Voltage	120-277V
Power Factor	>0.9
Total Harmonic Distortion	<20%
Dimming Page 4	TRIAC dimming
CRI	90 CRI
CCT	<div style="display: flex; gap: 10px;"> <div style="border: 1px solid black; border-radius: 50%; width: 20px; height: 20px; background-color: #fff9c4; display: flex; align-items: center; justify-content: center;">27K</div> <div style="border: 1px solid black; border-radius: 50%; width: 20px; height: 20px; background-color: #fff176; display: flex; align-items: center; justify-content: center;">30K</div> <div style="border: 1px solid black; border-radius: 50%; width: 20px; height: 20px; background-color: #bbdefb; display: flex; align-items: center; justify-content: center;">35K</div> <div style="border: 1px solid black; border-radius: 50%; width: 20px; height: 20px; background-color: #e1bee7; display: flex; align-items: center; justify-content: center;">40K</div> </div>
Efficacy	~54-58 lm/W
Power	30 W
Ambient Temperature Range	-10°C to 35°C
Mounting Adapter	Juno Global Halo Lightolier
Mounting Options	Track System Monopoint
Fixture Finish	Black White Silver
	Single Double Asymmetrical
Distribution	

PRODUCT CERTIFICATIONS



SYSTEM WARRANTY – 5 YEARS

Eralux will warrant defective drivers, LEDs and boards for 5 years from the date of purchase. This warranty is valid only if the fixture is installed and used as per installation guides and specifications. If a defect is present, Eralux will send drivers and boards at no fee with a thorough replacement instructions along with instructions on the return of the defective parts back to Eralux.

LUMEN MAINTENANCE – L70 at 50,000 hours

Rated for 70% initial lumen output at 50,000 hours of operation, operated at 25°C ambient temperature; per guidelines published by the Illuminating Engineering Society (IES).

TRACK LED LIGHT

Round Track Head | 3" Aperture | Wall Wash



ORDERING GUIDE

AE-TL-TR	-UV		P			
AE-TL-TR ERALUX Terra Crescent Track Head	-UV 120-277V	-SA 30 W 1620 lms Single Asymmetrical 30°x45° -DA 30 W 1620 lms Double Asymmetrical 90°	P Premium 90 CRI	27 2700K 30 3000K 35 3500K 40 4000K	J1 Juno G1 Global H1 Halo L1 Lightolier	BK Black powder coat WH White powder coat SV Silver powder coat
Fixture Family	Voltage	Distribution	CRI	CCT	Adapter	Finish



ORDERING GUIDE-ACCESSORIES

Ordered separately

T10016 Monopoint Mounting T10017 Duopoint Mounting	-BLK Black -WHT White -SLV Silver
Mounting	Finish



ORDERING GUIDE- TRACK SYSTEM

Track system and components are ordered with the track head if needed.

Refer to the links below for more information

T1 ERALUX Track T1 Compatible with Juno system-1 circuit	-2 2ft track -4 4ft track -6 6ft track -8 8ft track -12 12ft track	-BLK Black Finish	
T2 ERALUX Track T2 Compatible with Juno system-2 circuit	0001 Mini I Connector 0002 T Connector 0003 L Connector 0004 X Connector 0015 End Feed	-WHT White Finish	
H1 ERALUX Track H1 Compatible with Halo system-1 circuit		-SLV Silver Finish	
TRACK SYSTEM	Track System	Finish	PN
			QTY

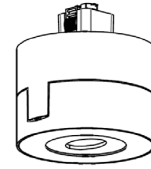
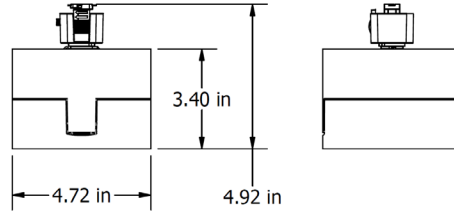
TRACK LED LIGHT

Round Track Head | 3" Aperture | Wall Wash

DIMENSIONS

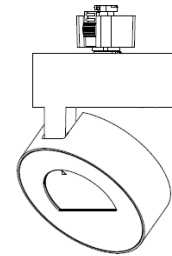
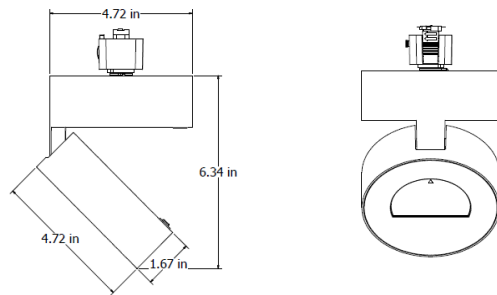
AE-TL-TR-UV-DA-P

- Rotation up to 355°
- Tilt +/- 90°



AE-TL-TR-UV-SA-P

- Rotation up to 355°
- Tilt +/- 90°



ACCESSORIES

MOUNTING

ORDERING CODE		DESCRIPTION	PICTURE
T10016	-WH	Monopoint adapter Surface / wall mount Compatible with Juno system 1 Track head can be installed.	
	-BK		
T10017	-WH	Duopoint adapter Surface / wall mount Compatible with Juno system. 2 Track heads can be installed.	
	-BK		

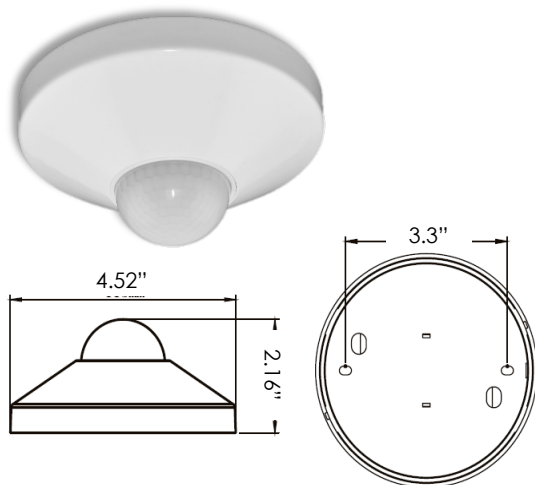
TRACK LED LIGHT

Round Track Head | 3" Aperture | Wall Wash

ROOM OCCUPANCY SENSOR

Ordered separately, field installed

PART NUMBER	DESCRIPTION
AE-CT-DT806	Detecta - Room Occupancy Sensor
RC102	RC102 Remote Control



SPECIFICATIONS		
Input Voltage	120-277 Vac	
Power Frequency	50/60HZ	
Rated Load	At 120 Vac	800W
	At 277 Vac	1200W
Detection Range	3-10 Meters	
	9.8-32.75 Feet	
Standby Power	~0.9W	
Time Setting	10 sec to 30 min	
Light Control	10-2,000LUX	
Installation	Ceiling Mounted	

DIMMER COMPATIBILITY LIST

TRIAC/ELV Dimming

Brand	Model	Brand	Model
Leviton	6602-X	Lutron	SLV-600
	6681-X		S2-LX
	6683-X		GL-600H
	6684-X		NFTU-5A
	6633		DVLV-600P
	6674	Cooper	9530XXX
	IP106-1LZ	Lightolier	MP600X
	700-X	Advance	SR150LED120
	705-X		

0-10V Dimming

Brand	Model
Lutron, Nova Series	NFTV
Lutron, DIVA Series	DVTV
Leviton, Illumatech	IP710-DL

TRACK LED LIGHT

Round Track Head | 3" Aperture | Wall Wash

LUMEN ESTIMATE

Lumen output varies based on CCT and CRI. An estimate of lumen output of the various CCT/CRI combinations, use correction factors as per table below:

LUMEN ESTIMATE ADJUSTMENT FACTORS			
CCT	3000K	3500K	4000K
90CRI	1	1.03	1.06

PHOTOMETRIC DATA

PART NUMBER		ZONAL LUMEN SUMMARY			POLAR LUMINOUS INTENSITY		CONE DISTRIBUTION		
AE-TL-TR-UV-SAP30X1XX		Zone	Lumens	% Fixture	Direct Light		Center Beam Fc		Beam Width
Wattage	30W	0-20°	602.96	37.80		1.7R	737 fc	1.2 ft	1.3 ft
CCT	3000K	0-30°	997.36	62.50		3.3R	196 fc	2.3 ft	2.5 ft
Distribution	35"x45"	0-40°	1232.77	77.30		5.0R	85.2 fc	3.5 ft	3.8 ft
		0-60°	1458.45	91.50		6.7R	47.5 fc	4.7 ft	5.0 ft
		0-80°	1545.89	96.90		8.3R	30.9 fc	5.8 ft	6.3 ft
		0-90°	1555.88	97.60	10.0R	21.3 fc	7.0 ft	7.5 ft	
							■ Vert. Spread: 38.7° ■ Horiz. Spread: 41.3°		

PART NUMBER		ZONAL LUMEN SUMMARY			POLAR LUMINOUS INTENSITY		CONE DISTRIBUTION		
AE-TL-TR-UV-DAP30X1XX		Zone	Lumens	% Fixture	Direct Light		Center Beam Fc		Beam Width
Wattage	30W	0-20°	222.95	10.90		1.7R	156 fc	3.0 ft	1.1 ft
CCT	3000K	0-30°	588.88	28.70		3.3R	41.4 fc	5.9 ft	2.1 ft
Distribution	90°	0-40°	1070.34	52.10		5.0R	18 fc	8.9 ft	3.2 ft
		0-60°	1813.87	88.40		6.7R	10 fc	12.0 ft	4.3 ft
		0-80°	1999.05	97.40		8.3R	6.54 fc	14.8 ft	5.4 ft
		0-90°	2009.65	97.90	10.0R	4.51 fc	17.8 ft	6.5 ft	
							■ Vert. Spread: 83.5° ■ Horiz. Spread: 35.8°		

TRACK LED LIGHT

Round Track Head | 3" Aperture | Wall Wash

OVERVIEW



Innovative Design

- Die-cast aluminum housing for better heat dissipation.
- Improved design extends LED and driver lifespan.



Multiple Options

- Double and Single Asymmetrical beam angle
- Four CCTs available.
- Black, white, and silver finishes.



Double Asymmetric



Single Asymmetric



Tests And Certifications



Mountings Available

- Choose from any of the popular track systems such as Juno, Halo, Lightolier, or Global.
- Surface mount with either monopoint or duopoint adapters.



Note: Terra Crescent canopy option is available. Refer to Terra Canopy and Terra Crescent Canopy spec sheets.

