

# TERRA CRESCENT CANOPY

## TRACK LED LIGHT

### Round Track Head | 3" Aperture | Wall Wash

With a power supply, the TERRA wall washer series is capable of more than other canopy light. TERRA Crescent Canopy comes with a programmable driver, smart controls capabilities, and is dimmer compatible. This canopy is a single point surface adapter that can seamlessly fit onto any surface. Like the TERRA Crescent, the fixture will offer a single asymmetric beam of light. The LED head can lock into place at various angles; you can choose a straight downlight or a perpendicular light to the wall. Terra series comes with tri-mode dimming (Triac, ELV, 0-10V), no flickering and capable of dimming down to 1%.

Applications: Art Galleries | Show Rooms | Retail Stores | Hospitality



	DATE	QTY	ACC. QTY	TYPE
PROJECT				
PN				
ACCESSORY PN				
NOTES				



### DYNAMIC MENU

Order Information	<a href="#">Page 2</a>
Dimensions	<a href="#">Page 3</a>
Accessories	<a href="#">Page 3</a>
Photometric Data	<a href="#">Page 5</a>

[Install Instruction link](#)

### SPECIFICATIONS

Input Voltage	120-277V
Power Factor	>0.9
Total Harmonic Distortion	<30%
Dimming <a href="#">Page 4</a>	TRIAC dimming   ELV   0-10V
CRI	90 CRI
CCT	<div style="display: flex; gap: 10px;"> <div style="background-color: #fff9c4; border-radius: 50%; padding: 5px;">27K</div> <div style="background-color: #fff176; border-radius: 50%; padding: 5px;">30K</div> <div style="background-color: #e0e0e0; border-radius: 50%; padding: 5px;">35K</div> <div style="background-color: #bbdefb; border-radius: 50%; padding: 5px;">40K</div> </div>
Efficacy	~54-58 lm/W
Power	30 W
Ambient Temperature Range	-10°C to 35°C
Mounting Options	Canopy
Fixture Finish	Black   White   Silver

### Distribution



### PRODUCT CERTIFICATIONS



### SYSTEM WARRANTY – 5 YEARS

Eralux will warrant defective drivers, LEDs and boards for 5 years from the date of purchase. This warranty is valid only if the fixture is installed and used as per installation guides and specifications. If a defect is present, Eralux will send drivers and boards at no fee with a thorough replacement instructions along with instructions on the return of the defective parts back to Eralux.

### LUMEN MAINTENANCE – L85 at 50,000 hours

Rated for 85% initial lumen output at 50,000 hours of operation, operated at 25°C ambient temperature; per guidelines published by the Illuminating Engineering Society (IES).

# TERRA CRESCENT CANOPY

## SURFACE MOUNT CANOPY

Canopy Light | 3" Aperture | Wall Wash



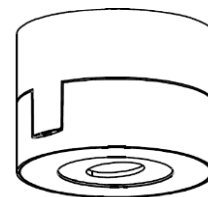
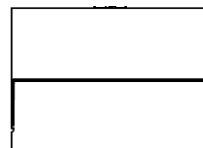
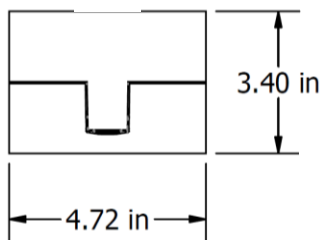
### ORDERING GUIDE

<b>AE-TL-TRC</b>	<b>-UV</b>		<b>P</b>		
<b>AE-TL-TR</b> ERALUX Terra Crescent Canopy Light	<b>-UV</b> 120-277V	<b>-SA</b> 30 W   1620 lms Single Asymmetrical 30°x45° <b>-DA</b> 30 W   1620 lms Double Asymmetrical 90°	<b>P</b> Premium 90 CRI	<b>30</b> 3000K <b>35</b> 3500K <b>40</b> 4000K	<b>BK</b> Black powder coat <b>WH</b> White powder coat <b>SV</b> Silver powder coat
<b>Fixture Family</b>	<b>Voltage</b>	<b>Distribution</b>	<b>CRI</b>	<b>CCT</b>	<b>Finish</b>

### DIMENSIONS

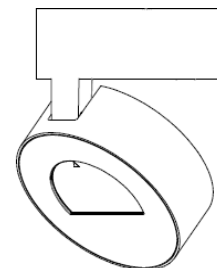
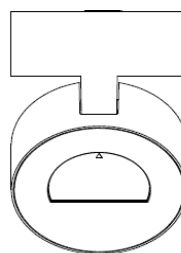
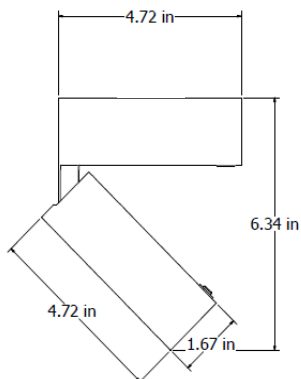
#### AE-TL-TRC-UV-DAPXXXX

- Rotation up to 355°
- Tilt +/- 90°



#### AE-TLC-TR-UV-SAPXXXX

- Rotation up to 355°
- Tilt +/- 90°



# TERRA CRESCENT CANOPY

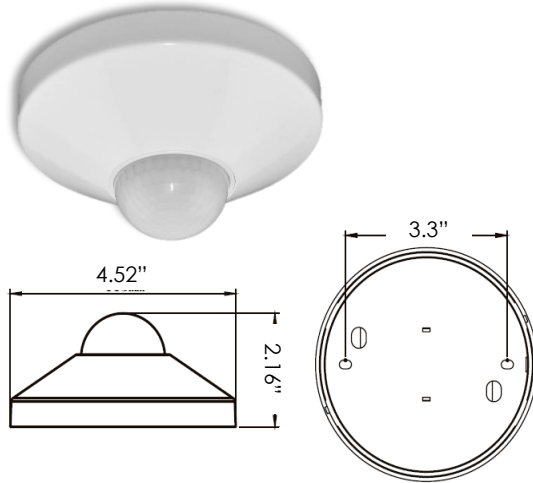
## SURFACE MOUNT CANOPY

Canopy Light | 3" Aperture | Wall Wash

### ROOM OCCUPANCY SENSOR

Ordered separately, field installed

PART NUMBER	DESCRIPTION
AE-CT-DT806	Detecta - Room Occupancy Sensor
RC102	RC102 Remote Control



SPECIFICATIONS		
<b>Input Voltage</b>	120-277 Vac	
<b>Power Frequency</b>	50/60HZ	
<b>Rated Load</b>	At 120 Vac	800W
	At 277 Vac	1200W
<b>Detection Range</b>	3-10 Meters	
	9.8-32.75 Feet	
<b>Standby Power</b>	~0.9W	
<b>Time Setting</b>	10 sec to 30 min	
<b>Light Control</b>	10-2,000LUX	
<b>Installation</b>	Ceiling Mounted	

### DIMMER COMPATIBILITY LIST

TRIAC/ELV Dimming

Brand	Model	Brand	Model
Leviton	6602-X	Lutron	SLV-600
	6681-X		S2-LX
	6683-X		GL-600H
	6684-X		NFTU-5A
	6633		DVLV-600P
	6674	Cooper	9530XXX
	IPI06-1LZ	Lightolier	MP600X
	700-X	Advance	SR150LED120
	705-X		

0-10V Dimming

Brand	Model
Lutron, Nova Series	NFTV
Lutron, DIVA Series	DVTV
Leviton, Illumatech	IP710-DL

## SURFACE MOUNT CANOPY

Canopy Light | 3" Aperture | Wall Wash

### LUMEN ESTIMATE

Lumen output varies based on CCT and CRI. An estimate of lumen output of the various CCT/CRI combinations, use correction factors as per table below:

LUMEN ESTIMATE ADJUSTMENT FACTORS			
CCT	3000K	3500K	4000K
90CRI	1	1.03	1.06

### PHOTOMETRIC DATA

PART NUMBER	ZONAL LUMEN SUMMARY			POLAR LUMINOUS INTENSITY	CONE DISTRIBUTION			
AE-TL-TRC-UV-SAP30X1XX	Zone	Lumens	% Fixture	Direct Light	Center Beam Fc	Beam Width		
Wattage	30W	0-20°	602.96		1.7ft	737 fc	1.2 ft	1.3 ft
CCT	3000K	0-30°	997.36		3.3ft	196 fc	2.3 ft	2.5 ft
Distribution	35"x45"	0-40°	1232.77		5.0ft	85.2 fc	3.5 ft	3.8 ft
		0-60°	1458.45		6.7ft	47.5 fc	4.7 ft	5.0 ft
		0-80°	1545.89		8.3ft	30.9 fc	5.8 ft	6.3 ft
		0-90°	1555.88		10.0ft	21.3 fc	7.0 ft	7.5 ft
				■ Vert. Spread: 38.7° ■ Horiz. Spread: 41.3°				

PART NUMBER	ZONAL LUMEN SUMMARY			POLAR LUMINOUS INTENSITY	CONE DISTRIBUTION			
AE-TL-TRC-UV-DAP30X1XX	Zone	Lumens	% Fixture	Direct Light	Center Beam Fc	Beam Width		
Wattage	30W	0-20°	222.95		1.7ft	156 fc	3.0 ft	1.1 ft
CCT	3000K	0-30°	588.88		3.3ft	41.4 fc	5.9 ft	2.1 ft
Distribution	90°	0-40°	1070.34		5.0ft	18 fc	8.9 ft	3.2 ft
		0-60°	1813.87		6.7ft	10 fc	12.0 ft	4.3 ft
		0-80°	1999.05		8.3ft	6.54 fc	14.8 ft	5.4 ft
		0-90°	2009.65		10.0ft	4.51 fc	17.8 ft	6.5 ft
				■ Vert. Spread: 83.5° ■ Horiz. Spread: 35.8°				

## SURFACE MOUNT CANOPY

Canopy Light | 3" Aperture | Wall Wash

### OVERVIEW



#### Innovative Design

- Die cast aluminum housing for better heat dissipation.
- Improved design extends LED and driver lifespan.



#### Multiple Options

- Double and single asymmetrical beam angles.
- Three CCTs available.
- Black, white, and silver finishes.



Double  
Asymmetric



#### Tests And Certifications



#### Mountings Available

- Single surface mount canopy allows you to place the lights with no restriction from the track direction.



Single  
Asymmetric