

# TERRA SOLAR

## TRACK LIGHTING

Wall Wash Track Fixture



eralux®



Equipped with a power supply, the TERRA wall washer series is capable of more than other track lights. TERRA Solar has a programmable driver, intelligent control capabilities, and dimmer compatibility. The TERRA Solar is made for the track system with various adapter options. TERRA Solar can adapt to your pre-existing track system or with new ERALUX accessories. Like the TERRA Solar Canopy, the fixture will offer a variety of light distribution. The LED head can lock into place at various angles. You can choose a straight downlight or a perpendicular light to the wall. Terra series comes with tri-mode dimming (Triac, ELV, 0-10V), no flickering and can dim down to 1%.

|               |                |  |   |  |  |  |
|---------------|----------------|--|---|--|--|--|
| DATE          |                |  |   |  |  |  |
| PROJECT NAME  |                |  |   |  |  |  |
| TYPE          |                |  |   |  |  |  |
| QTY           |                |  |   |  |  |  |
| ORDERING CODE | AE-TL-TR-30-UV |  | P |  |  |  |

### OPERATING & ELECTRICAL

|                                 |                                     |
|---------------------------------|-------------------------------------|
| INPUT VOLTAGE                   | 120-277V                            |
| POWER FACTOR                    | >0.9                                |
| DIMMING                         | Tri-mode dimming: Triac, ELV, 0-10V |
| TOTAL HARMONIC DISTORTION (THD) | <20%                                |

### PERFORMANCE

|                   |  |
|-------------------|--|
| LUMENS PER WATT   | 54 at 3000K<br>58 at 3500K and 4000K               |
| POWER CONSUMPTION | 30W  |
| DISTRIBUTION      | Narrow flood, flood<br>wide flood, very wide flood |

### MECHANICAL & HOUSING

|              |  |
|--------------|--|
| HOUSING      | Aluminum die cast  |
| LENS         | Highly durable polycarbonate and high transmittance lens |
| FINISH       | Black, White, Silver                                     |
| POWER SUPPLY | Factory wired electronic LED driver                      |
| LED BOARD    | COB  |

### APPLICATION CONDITION

|                           |                |
|---------------------------|----------------|
| AMBIENT TEMPERATURE RANGE | -10 °C to 35°C |
|---------------------------|----------------|

### COMPATIBLE MOUNTING

|          |                                      |
|----------|--------------------------------------|
| MOUNTING | Juno<br>Global<br>Halo<br>Lightolier |
|----------|--------------------------------------|

### WARRANTY

#### SYSTEM WARRANTY – 5 YEARS

Eralux will warrant defective drivers, LEDs and boards for 5 years from the date of purchase. This warranty is valid only if the fixture is installed and used as per installation guides and specifications. If a defect is present, Eralux will send drivers and boards at no fee with a thorough replacement instructions along with instructions on the return of the defective parts back to Eralux.

#### LUMEN MAINTENANCE – L70 at 50,000 hours

Rated for 70% initial lumen output at 50,000 hours of operation, operated at 25°C ambient temperature; per guidelines published by the Illuminating Engineering Society (IES)

# TERRA SOLAR

TRACK LIGHTING

Wall Wash Track Fixture

|               |                |  |   |  |
|---------------|----------------|--|---|--|
| DATE          |                |  |   |  |
| PROJECT NAME  |                |  |   |  |
| TYPE          |                |  |   |  |
| QTY           |                |  |   |  |
| ORDERING CODE | AE-TL-TR-30-UV |  | P |  |

## ORDERING GUIDE

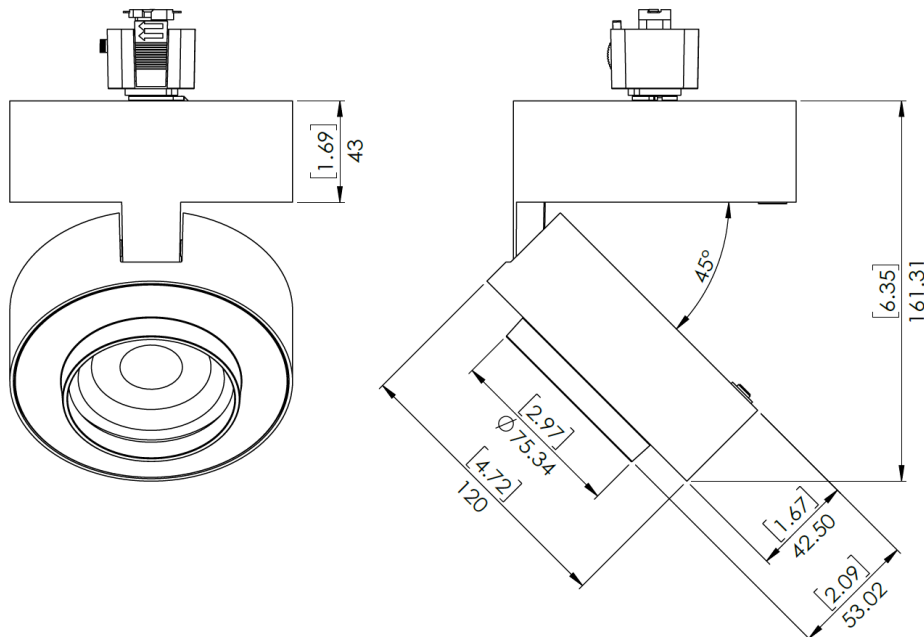
EXAMPLE: AE-TL-TR-30-UVFLP30J1BK

| FIXTURE FAMILY   | WATTAGE   | VOLTAGE                                     | DISTRIBUTION  | CRI                           | CCT                       | ADAPTER                                 | FINISH                                       |
|--|---|---|---|-------------------------------|---------------------------|---|--|
| <b>AE-TL-TR</b>  | <b>-30</b>  | <b>-UV</b>                                  |   | <b>P</b>                      |                           |   |  |
| <b>AE-TL-TR</b><br>ERALUX TERRA<br>Series track<br>light | <b>-30</b><br>30 watts:<br>1,620 lumens at 3000K<br>1,740 lumens at 4000K | <b>-UV</b><br>120V-277V<br>input<br>voltage | <b>NF</b><br>Narrow flood<br>light distribution<br>20°    | <b>P</b><br>Premium<br>90 CRI | <b>27</b><br>2700K<br>CCT | <b>J1</b><br>Juno<br>mounting<br>system | <b>BK</b><br>Black<br>powder<br>coat finish  |
|  |   |   | <b>FL</b><br>Flood light<br>distribution 25°              |                               | <b>30</b><br>3000K<br>CCT |   |  |
|  |   |   | <b>WF</b><br>Wide flood light<br>distribution 35°         |                               | <b>35</b><br>3500K<br>CCT | <b>H1</b><br>Halo<br>mounting<br>system | <b>SV</b><br>Silver<br>powder<br>coat finish |
|  |   |   | <b>VF</b><br>Very wide flood<br>light distribution<br>50° |                               | <b>40</b><br>4000K<br>CCT |   |  |

## PRODUCT DIMENSIONS

AE-TL-TR-30-UVXXPXXX1XX

Weight: 1.050 kg



# TERRA SOLAR

TRACK LIGHTING

Wall Wash Track Fixture

|               |                |   |  |  |
|---------------|----------------|---|--|--|
| DATE          |                |   |  |  |
| PROJECT NAME  |                |   |  |  |
| TYPE          |                |   |  |  |
| QTY           |                |   |  |  |
| ORDERING CODE | AE-TL-TR-30-UV | P |  |  |

## LUMEN ESTIMATE

Lumen output varies based on CCT and CRI. An estimate of lumen output of the various CCT/CRI combinations, use correction factors as per table below:

### LUMEN ESTIMATE ADJUSTMENT FACTORS

| CCT             | 3000K | 4000K |
|-----------------|-------|-------|
| PREMIUM (90CRI) | .86   | .93   |

## PHOTOMETRIC DATA

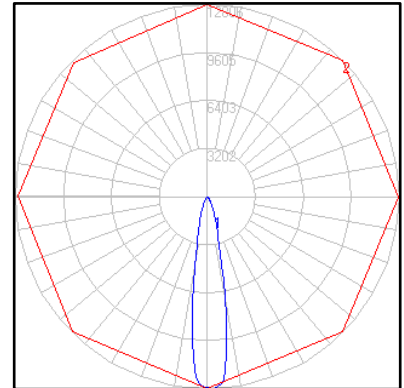
AE-TL-TR-30-UVNFP30X1XX

Narrow Flood 20°

3000K CCT

### ZONAL LUMEN SUMMARY      POLAR LUMINOUS INTENSITY GRAPH

| ZONE  | LUMENS  | % OF FIXTURE |
|-------|---------|--------------|
| 0-20° | 1640.48 | 72.40        |
| 0-30° | 1996.08 | 88.10        |
| 0-40° | 2131.65 | 94.10        |
| 0-60° | 2197.96 | 97.00        |
| 0-80° | 2216.87 | 97.80        |
| 0-90° | 2223.98 | 98.20        |



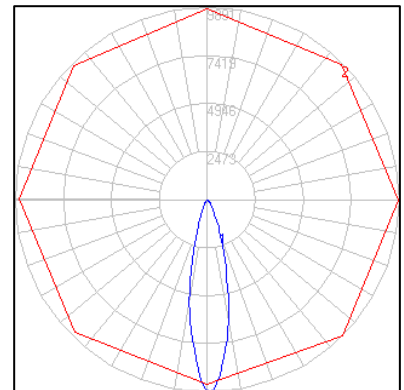
AE-TL-TR-30-UVFLP30X1XX

Flood 25°

3000K CCT

### ZONAL LUMEN SUMMARY      POLAR LUMINOUS INTENSITY GRAPH

| ZONE  | LUMENS  | % OF FIXTURE |
|-------|---------|--------------|
| 0-20° | 1620.85 | 70.20        |
| 0-30° | 2004.27 | 86.80        |
| 0-40° | 2157.6  | 93.40        |
| 0-60° | 2237.64 | 96.90        |
| 0-80° | 2259.31 | 97.80        |
| 0-90° | 2266.96 | 98.20        |



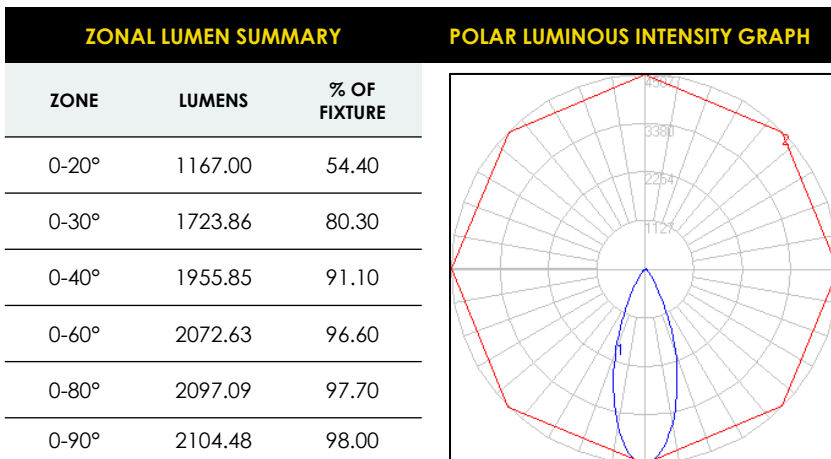
|               |                  |
|---------------|------------------|
| DATE          |                  |
| PROJECT NAME  |                  |
| TYPE          |                  |
| QTY           |                  |
| ORDERING CODE | AE-TL-TR-30-UV P |

## PHOTOMETRIC DATA (CONTINUE)

AE-TL-TR-30-UVWFP30X1XX

Wide Flood 35°

3000K CCT



## DIMMER COMPATIBILITY LIST

| TRIAC/ELV Dimmer @120VAC |
|--------------------------|
| Lutron SLV-600X          |
| Lutron S2-LX             |
| Lutron GL-600H           |
| Lutron NFTU-5A           |
| Lutron DVLV-600P         |
| Leviton 6602-X           |
| Leviton 6681-X           |
| Leviton 6683-X           |
| Leviton 6684-X           |

| TRIAC/ELV Dimmer @120VAC |
|--------------------------|
| Leviton 700-X            |
| Leviton 705-X            |
| Leviton 6633             |
| Leviton 6674             |
| Leviton IPI06-1LZ        |
| Cooper 9530XXX           |
| Lightolier MP600X        |
| Advance SR150LED120      |

| 0-10V Dimmer @120VAC                              |
|---|
| Lutron, Diva series (part number DDTV)            |
| Lutron, Nova series (part number NFTV)            |
| Leviton, IllumaTech series (part number IP710-DL) |

|               |                |  |   |  |
|---------------|----------------|--|---|--|
| DATE          |                |  |   |  |
| PROJECT NAME  |                |  |   |  |
| <b>TYPE</b>   |                |  |   |  |
| QTY           |                |  |   |  |
| ORDERING CODE | AE-TL-TR-30-UV |  | P |  |

## OVERVIEW



### **MULTIPLE MOUNTING ADAPTERS**

Choose from any of the popular track systems such as Juno, Halo, Lightolier, or Global.

### **PREMIUM DESIGN**

Aluminum die-cast materials selected for efficient thermal heat dissipation, enhanced structural rigidity maximizing LED life and driver function.

### **PAINT FINISH**

Factory standard in black, white, and silver. Contact for custom paint finishes to enhance your fixture to suit your project space.

### **MULTIPLE OPTIONS**

Customize your track head by selecting from a variety of CCT options allowing you to have a unique fixture that suits your project.