

TERRA




TRACK LED LIGHT

Round Track Head | 3" Aperture

The TERRA offers advanced capabilities beyond traditional track lights. The TERRA features a programmable driver, intelligent control, and dimmer compatibility with a power consumption of 30 watts, available in three finishes black, white and silver and multiple of beam angles. Compatible with most track systems allowing integration with existing setups or new ERALUX accessories, in addition to monopoint and duopoint mounting. Applications: Art Galleries | Show Rooms | Retail Stores | Hospitality

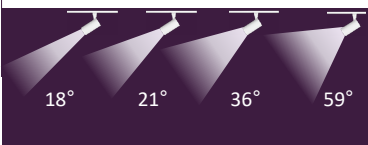
	DATE	QTY	ACC. QTY	TYPE
PROJECT				
PN				
ACCESSORY PN				
NOTES				

 DYNAMIC MENU	
Order Information	Page 2
Dimensions	Page 3
Accessories	Page 3
Photometric Data	Page 5

[Install Instruction Link](#)



SPECIFICATIONS

Input Voltage	120-277V
Power Factor	>0.9
Total Harmonic Distortion	<20%
Dimming Page 4	TRIAC dimming
CRI	90 CRI
CCT	<div style="display: flex; gap: 10px;"> <div style="border: 1px solid black; border-radius: 50%; width: 25px; height: 25px; background-color: #f1c232; display: flex; align-items: center; justify-content: center;">27K</div> <div style="border: 1px solid black; border-radius: 50%; width: 25px; height: 25px; background-color: #f1c232; display: flex; align-items: center; justify-content: center;">30K</div> <div style="border: 1px solid black; border-radius: 50%; width: 25px; height: 25px; background-color: #f1c232; display: flex; align-items: center; justify-content: center;">35K</div> <div style="border: 1px solid black; border-radius: 50%; width: 25px; height: 25px; background-color: #f1c232; display: flex; align-items: center; justify-content: center;">40K</div> </div>
Efficacy	~54-58 lm/W
Power	30 W
Ambient Temperature Range	-10°C to 35°C
Mounting Adapter	Juno Global Halo Lightolier
Mounting Options	Track System Monopoint
Fixture Finish	Black White Silver
	Narrow Flood Wide Very Wide
Distribution	

PRODUCT CERTIFICATIONS



SYSTEM WARRANTY – 5 YEARS

Eralux will warrant defective drivers, LEDs and boards for 5 years from the date of purchase. This warranty is valid only if the fixture is installed and used as per installation guides and specifications. If a defect is present, Eralux will send drivers and boards at no fee with a thorough replacement instructions along with instructions on the return of the defective parts back to Eralux.

LUMEN MAINTENANCE – L70 at 50,000 hours

Rated for 70% initial lumen output at 50,000 hours of operation, operated at 25°C ambient temperature; per guidelines published by the Illuminating Engineering Society (IES).

TRACK LED LIGHT

Round Track Head | 3" Aperture



ORDERING GUIDE

AE-TL-TR	-30	-UV		P			
AE-TL-TR ERALUX Terra Track Head	-30 30 Watts 1620 lumens At 30K 1740 lumens At 40K	-UV 120-277V	NF Narrow Flood 20° FL Flood 25° WF Wide Flood 35° VF Very Wide Flood 50°	P Premium 90 CRI	27 2700K 30 3000K 35 3500K 40 4000K	J1 Juno G1 Global H1 Halo L1 Lightolier	BK Black powder coat WH White powder coat SV Silver powder coat

Fixture Family	Wattage	Voltage	Distribution	CRI	CCT	Adapter	Finish
-----------------------	----------------	----------------	---------------------	------------	------------	----------------	---------------



ORDERING GUIDE-ACCESSORIES

Ordered separately

T10016 Monopoint Mounting	-BLK Black
T10017 Duopoint Mounting	-WHT White
	-SLV Silver

Mounting	Finish
-----------------	---------------



ORDERING GUIDE- TRACK SYSTEM

Track system and components are ordered with the track head if needed.

Refer to the links below for more information

T1 ERALUX Track T1 Compatible with Juno system-1 circuit	-2 2ft track -4 4ft track -6 6ft track -8 8ft track -12 12ft track	-BLK Black Finish	
T2 ERALUX Track T2 Compatible with Juno system-2 circuit	0001 Mini I Connector 0002 T Connector 0003 L Connector 0004 X Connector 0015 End Feed	-WHT White Finish	
H1 ERALUX Track H1 Compatible with Halo system-1 circuit		-SLV Silver Finish	

TRACK SYSTEM	Track System	Finish	PN	QTY
---------------------	---------------------	---------------	-----------	------------

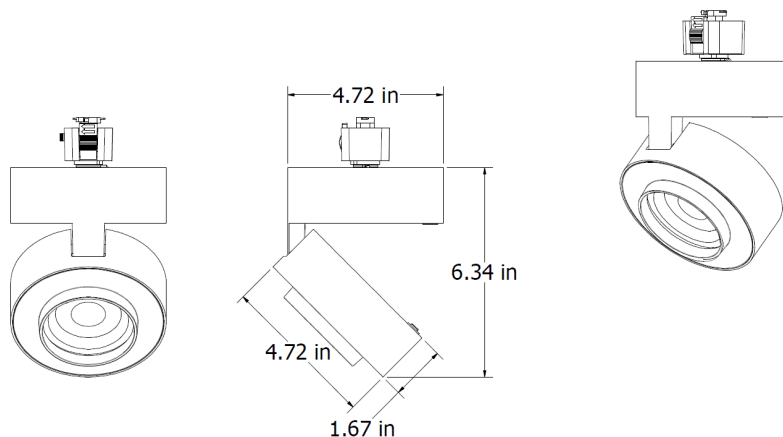
TRACK LED LIGHT

Round Track Head | 3" Aperture

DIMENSIONS

AE-TL-TR-30-UV-XX-P

- Rotation up to 355°
- Tilt +/- 90°



ACCESSORIES

MOUNTING

ORDERING CODE		DESCRIPTION	PICTURE
T10016	-WH	Monopoint adapter Surface / wall mount Compatible with Juno system 1 Track head can be installed.	
	-BK		
T10017	-WH	Duopoint adapter Surface / wall mount Compatible with Juno system. 2 Track heads can be installed.	
	-BK		

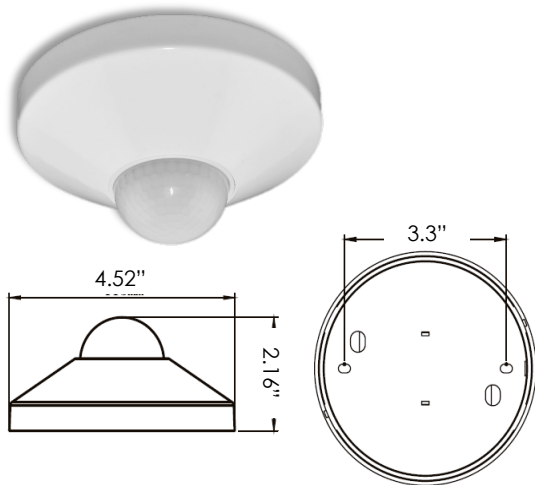
TRACK LED LIGHT

Cylinder Track | 3" Aperture

ROOM OCCUPANCY SENSOR

Ordered separately, field installed

PART NUMBER	DESCRIPTION
AE-CT-DT806	Detecta – Room Occupancy Sensor
RC102	RC102 Remote Control



SPECIFICATIONS		
Input Voltage	120-277 Vac	
Power Frequency	50/60HZ	
Rated Load	At 120 Vac	800W
	At 277 Vac	1200W
Detection Range	3-10 Meters	
	9.8-32.75 Feet	
Standby Power	~0.9W	
Time Setting	10 sec to 30 min	
Light Control	10-2,000LUX	
Installation	Ceiling Mounted	

DIMMER COMPATIBILITY LIST

TRIAC/ELV Dimming

Brand	Model	Brand	Model
Leviton	6602-X	Lutron	SLV-600
	6681-X		S2-LX
	6683-X		GL-600H
	6684-X		NFTU-5A
	6633		DVLV-600P
	6674	Cooper	9530XXX
	IPI06-1LZ	Lightolier	MP600X
	700-X	Advance	SR150LED120
	705-X		

0-10V Dimming

Brand	Model
Lutron, Nova Series	NFTV
Lutron, DIVA Series	DVTV
Leviton, Illumatech	IP710-DL

TRACK LED LIGHT

Round Track Head | 3" Aperture

LUMEN ESTIMATE

Lumen output varies based on CCT and CRI. An estimate of lumen output of the various CCT/CRI combinations, use correction factors as per table below:

LUMEN ESTIMATE ADJUSTMENT FACTORS		
CCT	3000K	4000K
90CRI	0.86	0.93

PHOTOMETRIC DATA

PART NUMBER	ZONAL LUMEN SUMMARY			POLAR LUMINOUS INTENSITY	CONE DISTRIBUTION				
AE-TL-TR-30-UVNFP30XXXX	Zone	Lumens	% Fixture	Direct Light	Center Beam Fc	Beam Width			
Wattage	30	0-20°	1640.48	72.4		1.7ft	1046 fc	0.6 ft	0.6 ft
CCT	3000K	0-30°	1996.08	88.1		3.3ft	278 fc	1.2 ft	1.3 ft
Distribution	20°	0-40°	2131.65	94.1		5.0ft	121 fc	1.9 ft	1.9 ft
		0-60°	2197.96	97		6.7ft	67.4 fc	2.5 ft	2.5 ft
		0-80°	2216.87	97.8		8.3ft	43.9 fc	3.1 ft	3.2 ft
		0-90°	2223.98	98.2		10.0ft	30.2 fc	3.8 ft	3.8 ft
					■ Vert. Spread: 21.3° ■ Horiz. Spread: 21.5°				

PART NUMBER	ZONAL LUMEN SUMMARY			POLAR LUMINOUS INTENSITY	CONE DISTRIBUTION				
AE-TL-TR-30-UVFLP30XXXX	Zone	Lumens	% Fixture	Direct Light	Center Beam Fc	Beam Width			
Wattage	30W	0-20°	1620.85	70.2		1.7ft	851 fc	0.8 ft	0.8 ft
CCT	3000K	0-30°	2004.27	86.8		3.3ft	226 fc	1.6 ft	1.6 ft
Distribution	25°	0-40°	2157.6	93.4		5.0ft	98.4 fc	2.4 ft	2.4 ft
		0-60°	2237.64	96.9		6.7ft	54.8 fc	3.2 ft	3.2 ft
		0-80°	2259.31	97.8		8.3ft	35.7 fc	3.9 ft	4.0 ft
		0-90°	2266.96	98.2		10.0ft	24.6 fc	4.7 ft	4.8 ft
					■ Vert. Spread: 26.6° ■ Horiz. Spread: 26.9°				

PART NUMBER	ZONAL LUMEN SUMMARY			POLAR LUMINOUS INTENSITY	CONE DISTRIBUTION				
AE-TL-TR-30-UVWFP30XXXX	Zone	Lumens	% Fixture	Direct Light	Center Beam Fc	Beam Width			
Wattage	30W	0-20°	1167	54.4		1.7ft	625 fc	1.1 ft	1.1 ft
CCT	3000K	0-30°	1723.86	80.3		3.3ft	166 fc	2.2 ft	2.2 ft
Distribution	35°	0-40°	1955.85	91.1		5.0ft	72.2 fc	3.3 ft	3.3 ft
		0-60°	2072.63	96.6		6.7ft	40.2 fc	4.4 ft	4.4 ft
		0-80°	2097.09	97.7		8.3ft	26.2 fc	5.5 ft	5.5 ft
		0-90°	2104.48	98		10.0ft	18.1 fc	6.6 ft	6.6 ft
					■ Vert. Spread: 36.4° ■ Horiz. Spread: 36.4°				

PART NUMBER	ZONAL LUMEN SUMMARY			POLAR LUMINOUS INTENSITY	CONE DISTRIBUTION				
AE-TL-TR-30-UVVFP30XXXX	Zone	Lumens	% Fixture	Direct Light	Center Beam Fc	Beam Width			
Wattage	30W	0-20°	918.45	43.3		1.7ft	426 fc	2.1 ft	2.1 ft
CCT	3000K	0-30°	1513.48	71.4		3.3ft	113 fc	4.0 ft	4.0 ft
Distribution	50°	0-40°	1873.72	88.4		5.0ft	49.3 fc	6.1 ft	6.1 ft
		0-60°	2036.59	96		6.7ft	27.4 fc	8.1 ft	8.2 ft
		0-80°	2069.1	97.6		8.3ft	17.9 fc	10.1 ft	10.1 ft
		0-90°	2078.11	98		10.0ft	12.3 fc	12.1 ft	12.2 ft
					■ Vert. Spread: 62.4° ■ Horiz. Spread: 62.6°				

TRACK LED LIGHT

Round Track Head | 3" Aperture

OVERVIEW



Innovative Design

- Die-cast aluminum housing for better heat dissipation.
- Improved design extends LED and driver lifespan.



Multiple Options

- Multiple beam angles.
- Four CCTs available.
- Black, white, and silver finishes.



Tests And Certifications



Mountings Available

- Choose from any of the popular track systems such as Juno, Halo, Lightolier, or Global.
- Surface mount with either monopoint or duopoint adapters.



Note: Terra available with canopy.
Refer to Terra Canopy spec sheet.

