

### IMPORTANT SAFETY INSTRUCTION

Read this installation guide prior to attempting installation. Always turn OFF the main power before starting your installation. Consult a qualified electrician before installation. Installation should be carried out by a qualified electrician.

When installing or using the track system, basic safety precautions should always be followed, including the following listed:

1. Do not install the lighting system in a damp or wet location.
2. Ensure the appropriate track connector matches with its compatible track rail.
3. Do not install any part of the track system less than 5 feet above the floor.
4. Do not install any luminaire assembly closer than 5 inches from any window treatments, i.e., curtain, blinds or any similar combustible type material.
5. Do not attempt to energize anything other than the track light luminaires on the track. To reduce the risk of fire and electric shock, do not attempt to connect to power tools, extension cords, appliances, or the like, to the track.
6. Do not exceed the nominal supply voltage or amperage ratings.
7. Turn the power OFF at the fuse or circuit breaker box before doing any installation or maintenance activities.
8. Wear rubber soled shoes and work on a sturdy wooden or non-conductive ladder.
9. The lighting product must be mounted in locations and at heights in compliance with the National Electrical Code and with local building codes. Installing contrary to instruction may cause unsafe conditions.
10. To avoid hazards to children, take accountability for all parts and dispose all packing materials properly.
11. Call the Technical Support department at ERALUX about any installation questions.

### IMPORTANT

This equipment is intended to be installed only by qualified personnel. The installation must be made in accordance with the current edition of the National Electrical Code and all applicable state and local building codes. The final installation must be approved by the appropriate, qualified electrical/building inspector(s). Improper installation may result in a fire or electrical hazard. Ensure the electrical power to the circuit has been disconnected before installing the electrical system.

### WARNING

Risk of fire. Most dwellings built before 1985 have supply wire rated at 60°C.

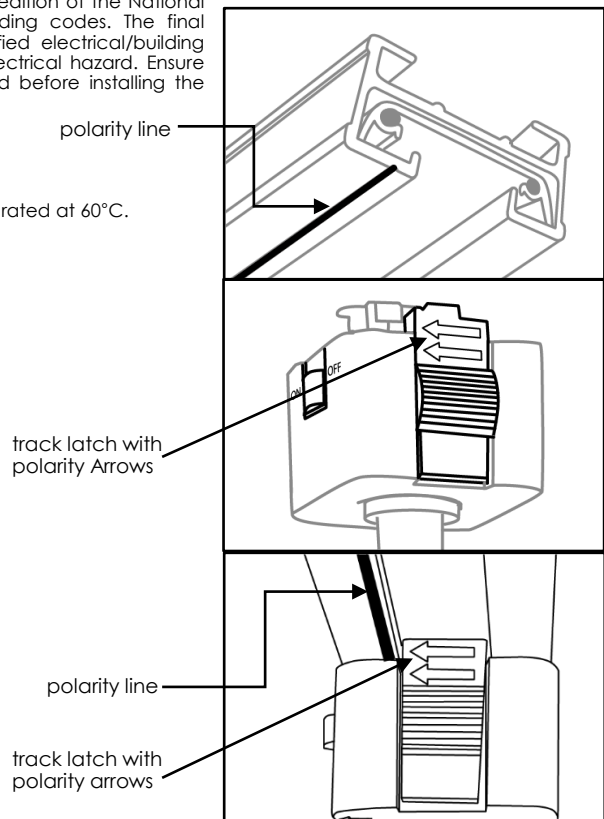
Consult a qualified electrician before installation.

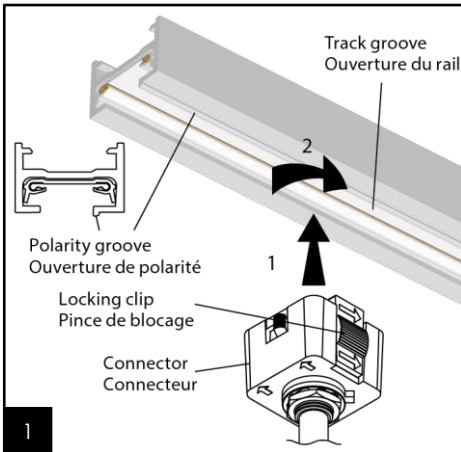
### IMPORTANT SAFETY INSTRUCTION

- Track polarity is indicated by a grooved polarity line that runs the entire length of the track.
- All fixtures have indicator arrows designed to point to the track polarity line.
- To install:
  - A. Insert the fixture contacts into the track channel.
  - B. Retract the track latch by gently pulling down.
  - C. Rotate the adapter 90° so that the polarity arrow points to the polarity line on the track.
- When the fixture is installed, the track latch will lock the fixture into the track.

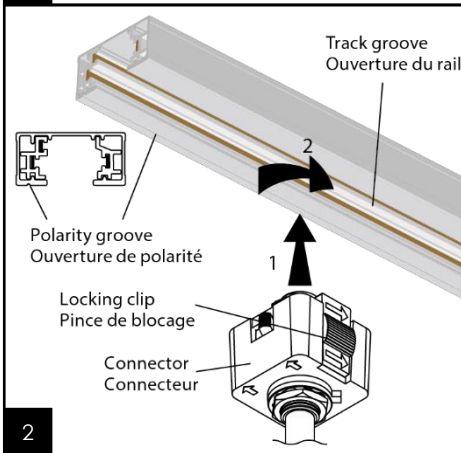
**NOTE:** All latches should face in the same direction after installation.

- Once the fixture is installed into the track move the ON/OFF switch to the ON position.

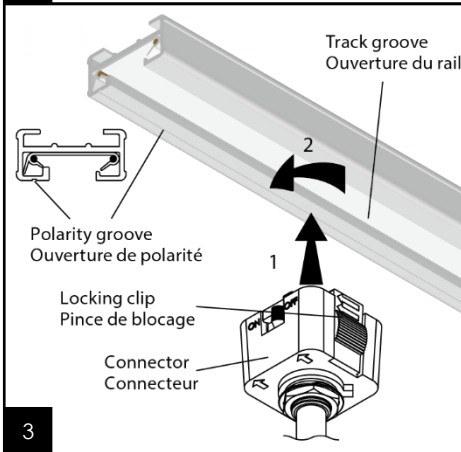




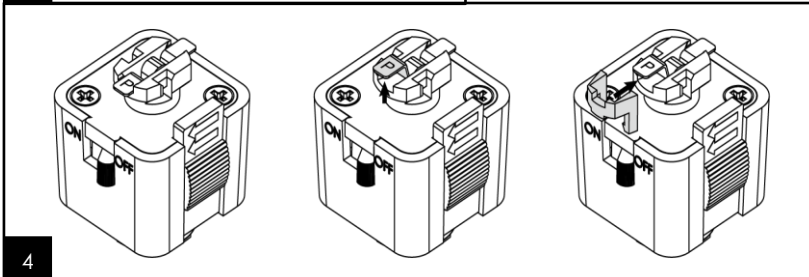
1



2



3



4

### A-Style: (see Diagram 1)

For use with ERALUX T1 or T2 track systems ONLY.

For two circuit track, install clip (see Diagram 4).

1. Place the connector into track groove and ensure that the side with the locking clip is opposite the polarity groove on the track.
2. Push towards track and turn counterclockwise by 90°.
3. To remove the fixture, pull the locking clip downwards (away from the track) and turn clockwise by 90°.
4. Once the assembly is complete, turn the power ON to confirm that the track light fixture is working properly.

### H-Style: (see Diagram 2)

For use with HALO L64, L65 AND LZR track systems ONLY.

1. Place the connector into track groove and make sure that the side with the locking clip is opposite the polarity groove on the track.
2. Push towards track and turn counterclockwise by 90°.
3. To remove the fixture, pull the locking clip downwards (away from the track) and turn clockwise by 90°.
4. Once the assembly is complete, turn the power ON to confirm that the track light fixture is working properly.

### L-Style: (see Diagram 3)

For use with Lightolier basic lytespan track system ONLY.

1. Place the connector into the track groove and ensure that the locking clip is on the same side of the polarity groove on the track.
2. Push towards track and turn clockwise by 90°.
3. To remove the fixture, pull the locking clip downwards (away from the track) and turn counterclockwise by 90°.
4. Once assembly is complete, turn the power ON to confirm that the track light fixture is working properly.

ERALUX Incorporation All Rights Reserved.

Any information provided is subject to change without notice. All values are typical values when measured under normal laboratory conditions.