

THALASSA ET6020

OUTDOOR PRODUCTS

Sconce

The Thalassa outdoor surface mounted cylindrical LED fixture was created with a sleek design deliberately, so it could blend in with many different outdoor building styles. The Thalassa also has an impressive efficacy of 70 LPW providing performance as well as elegance in the install environment. Finally, this product is a complete aluminum die cast offering an unparalleled sense of finesse, fixture strength and quality.



eralux®



| | | | | | | | |
|---------------|--------|---|---|---|-----|---|------|
| DATE | | | | | | | |
| PROJECT NAME | | | | | | | |
| TYPE | | | | | | | |
| QTY | | | | | | | |
| ORDERING CODE | ET6020 | - | - | - | -80 | - | -DMG |

OPERATING & ELECTRICAL

| | |
|---------------------------------|--|
| INPUT VOLTAGE | 120-277Vac |
| POWER FACTOR | 0.9 |
| DIMMING | 0-10V external dimming down to 10% (with DMG option) |
| TOTAL HARMONIC DISTORTION (THD) | <20% |

PERFORMANCE

| | |
|-------------------|---|
| LUMENS PER WATT | ~70 LPW at 80CRI |
| POWER CONSUMPTION | 24W |
| BEAM ANGLE | 24W: 10, 25, 38, 45, 60° 40W: 8, 18, 36, 62° |

WARRANTY

SYSTEM WARRANTY – 5 YEARS

Eralux will warrant defective drivers, LEDs and boards for 5 years from the date of purchase. This warranty is valid only if the fixture is installed and used as per installation guides and specifications. If a defect is present, Eralux will send drivers and boards at no fee with a thorough replacement instructions along with instructions on the return of the defective parts back to Eralux.

LUMEN MAINTENANCE – L85 at 50,000 hours

Rated for 85% initial lumen output at 50,000 hours of operation, operated at 25°C ambient temperature; per guidelines published by the Illuminating Engineering Society (IES). (L85 at 50,000 hours)

APPLICATION CONDITION

| | |
|---------------------------|-------------|
| AMBIENT TEMPERATURE RANGE | -25 to 50°C |
| Protection | IP65 |

COMPATIBLE MOUNTING

| | |
|----------|---------------|
| MOUNTING | Surface Mount |
|----------|---------------|

MECHANICAL & HOUSING

| | |
|--------------|---|
| HOUSING | Aluminum die cast |
| LENS | Highly durable, shatterproof tempered glass lens ensures high efficiency light output for a clean, evenly illuminated surface with minimal glare. |
| FINISH | ERALUX white, black, gray (RAL9006) powder coat finish |
| POWER SUPPLY | Factory wired electronic LED driver |
| LED BOARD | COB |

THALASSA ET6020

OUTDOOR PRODUCTS

Sconce

| | |
|---------------|-------------------------|
| DATE | |
| PROJECT NAME | |
| TYPE | |
| QTY | |
| ORDERING CODE | ET6020 - - - -80 - -DMG |

ORDERING GUIDE

EXAMPLE: ET6020-C24-3-10-80-W-DMG

| FIXTURE FAMILY | POWER | CCT | BEAM ANGLE | CRI | FINISH | CONTROLS |
|--|---|------------------------|------------------------------|----------------------|--|---|
| ET6020 | -C24 | - | - | -80 | - | -DMG |
| ET6020 ERALUX Thalassa ET6020 outdoor surface mounted sconce fixture | -C24 24 watts: 1680 lumens | -3 3000K CCT | -10 10° beam angle | -80 80 CRI | -B Black powder coat finish | -DMG 0-10V external dimming down to 10% |
| | | | -25 25° beam angle | | | |
| | | -4 4000K CCT | -38 38° beam angle | | -W White powder coat finish | |
| | | | -45 45° beam angle | | | |
| | | -6 6000K CCT | -60 60° beam angle | | -S Silver (RAL9006) powder coat finish | |

ORDERING GUIDE

EXAMPLE: ET6020-C40-3-08-80-B-DMG

| FIXTURE FAMILY | POWER | CCT | BEAM ANGLE | CRI | FINISH | CONTROLS |
|--|---|------------------------|--|----------------------|---------------------------------------|---|
| ET6020 | -C40 | - | - | -80 | - | -DMG |
| ET6020 ERALUX Thalassa ET6020 outdoor surface mounted sconce fixture | -C40 40 watts: 2800 lumens | -3 3000K CCT | -08 8° beam angle | -80 80 CRI | -B Black powder coat finish | -DMG 0-10V external dimming down to 10% |
| | | | -18 18° beam angle | | | |
| | | -4 4000K CCT | -36 36° beam angle | | -W White powder coat finish | |
| | | | -62 62° beam angle | | | |
| | | -5 5000K CCT | -S Silver (RAL9006) powder coat finish | | | |

THALASSA ET6020

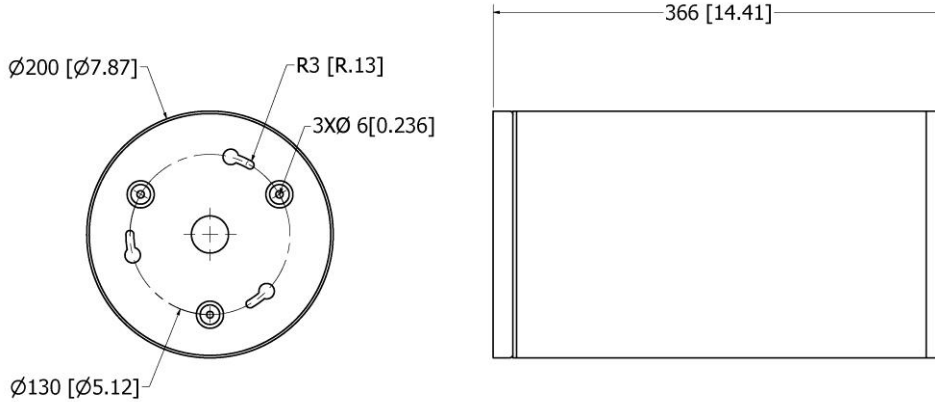
OUTDOOR PRODUCTS

Sconce

| | | | | | | |
|---------------|--------|---|---|---|-----|------|
| DATE | | | | | | |
| PROJECT NAME | | | | | | |
| TYPE | | | | | | |
| QTY | | | | | | |
| ORDERING CODE | ET6020 | - | - | - | -80 | -DMG |

DIMENSIONS

EXAMPLE: AE-OD-ET6020



LUMEN ESTIMATE

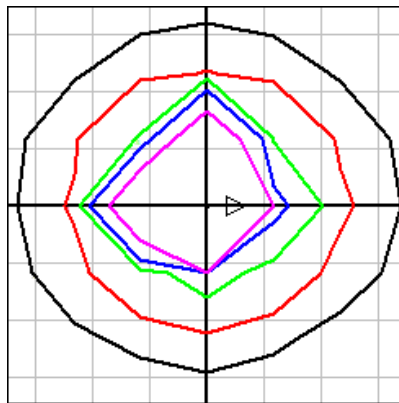
Lumen output varies based on CCT and CRI. An estimate of lumen output of the various CCT/CRI combinations, use correction factors as per table below:

| LUMEN ESTIMATE ADJUSTMENT FACTORS | | | | |
|-----------------------------------|-------|-------|-------|-------|
| CCT | 2700K | 3000K | 3500K | 4000K |
| NORMAL (80CRI) | 0.91 | 1 | 1.02 | 1.03 |

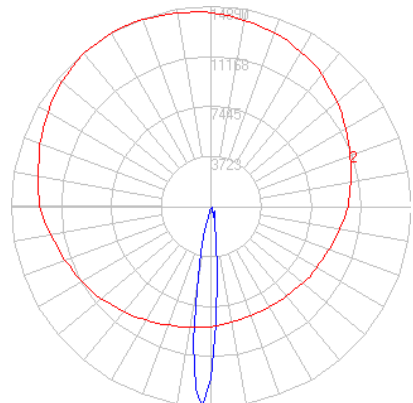
PHOTOMETRIC DATA

ET6020-C24-3-15-80-X-XXX

GRID DISTANCES WITH A MOUNTING HEIGHT OF 10' AFG



POLAR LUMINOUS INTENSITY GRAPHS



| | | | | | | |
|---------------|--------|---|---|---|-----|------|
| DATE | | | | | | |
| PROJECT NAME | | | | | | |
| TYPE | | | | | | |
| QTY | | | | | | |
| ORDERING CODE | ET6020 | - | - | - | -80 | -DMG |

ACCESSORIES

Ordered separately, field installed

EMERGENCY LED DRIVER (BLD-CM20N-480800-8W)

BLD-CM20N-480800-8W

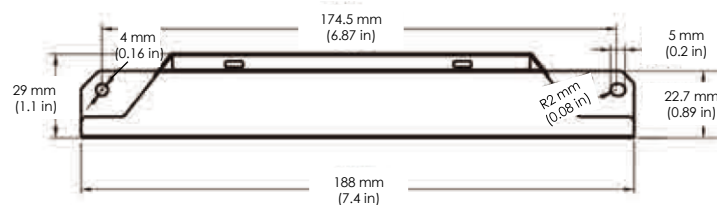
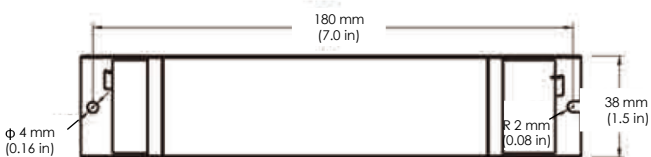
OUTPUT POWER : 8 WATTS



- Easy Wiring
- Certified For CA Title 20
- Constant Power Performance

BLD-CM20N-480800-8W LED Emergency Driver is UL listed for field and factory installation that allows the same LED fixture to be used for both normal and emergency operation. In the event of a power failure, the emergency driver switches to emergency mode and operates the fixture for 90 minutes. The unit contains a battery, charge, and converter circuit in a single enclosure. This module will operate a LED array load at 8W with constant power at a rated output voltage of 25-48 VDC. The constant power design of BLD-CM20N-480800-8W maintains the output wattage to the LED array, providing consistent illumination for the entire emergency runtime. Its slim shape is ideal for use indoor or outdoor LED lighting fixtures, such as linear lights, wall packs or sconces, etc.

DIMENSIONS (inches and mm)



| | | | | | | |
|---------------|--------|---|---|---|-----|------|
| DATE | | | | | | |
| PROJECT NAME | | | | | | |
| TYPE | | | | | | |
| QTY | | | | | | |
| ORDERING CODE | ET6020 | - | - | - | -80 | -DMG |

OVERVIEW



PREMIUM MATERIALS

Constructed from aluminum die-cast enhancing thermal heat dissipation while providing excellent figure strength.

MULTIPLE BEAM ANGLES

Customize your fixture with a unique set of beam angles in the uplight or downlight orientation with the option to having a 20-degree tilt towards the wall.

MULTIPLE FINISH OPTIONS

Select from black, white, or silver powder coat anti-cracking finishes to accent your project space.

CRI

80 CRI provides greater rendering allowing for a more natural light look.

