

# MULTI SERIES

LED SINGLE & MULTI-HEADS  
DOWNLIGHTS



eralux®



The Multi series provide an elegance and flexibility that is set to display the ultimate lighting environments. The series come with UNA, DUA and TRIA category light heads that feature light engines ranging from 10W to 50W. This fixture also comes standard with 0-10V as well as phase dimming enabling the electrician freedom of choice for controls. Further, the spring mechanisms enables a fast installation.

DATE	
PROJECT NAME	
<b>TYPE</b>	
QTY	
ORDERING CODE	

## OPERATING & ELECTRICAL

INPUT VOLTAGE	120-277 Vac
POWER FACTOR	>0.9
TOTAL HARMONIC DISTORTION (THD)	<20%

## PERFORMANCE

LUMENS PER WATT	80 LPW at 90CRI @ 3000K
BEAM ANGLE	15°, 24°, 38°, 55°
TILT ANGLE	Up to 30°
DIMMING	0-10V external dimming TRIAC dimming Dual dimming
POWER	10W 15W 20W 25W

## MECHANICAL & HOUSING

HOUSING	Brushed metal
LENS	PMMA and high transmittance lens
FINISH	Brushed metal providing an elegant finish offered in white and black
POWER SUPPLY	Factory wired electronic LED driver
LED BOARD	COB

## APPLICATION CONDITION

AMBIENT TEMPERATURE RANGE	-10 °C to 40°C
PROTECTION	IP20/IP44

## COMPATIBLE MOUNTING

MOUNTING	Gypse and T-grid with frame kit
----------	---------------------------------

## WARRANTY

### SYSTEM WARRANTY – 5 YEARS

Eralux will warrant defective drivers, LEDs and boards for 5 years from the date of purchase. This warranty is valid only if the fixture is installed and used as per installation guides and specifications. If a defect is present, Eralux will send drivers and boards at no fee with a thorough replacement instructions along with instructions on the return of the defective parts back to Eralux.

### LUMEN MAINTENANCE – L70 at 50,000 hours

Rated for 70% initial lumen output at 50,000 hours of operation, operated at 25°C ambient temperature; per guidelines published by the Illuminating Engineering Society (IES).

# MULTI SERIES

LED SINGLE & MULTI-HEADS

DOWNLIGHT

DATE	
PROJECT NAME	
<b>TYPE</b>	
QTY	
ORDERING CODE	

## UNA

### ORDERING GUIDE

EXAMPLE: AE-DL-UNA-4-35-24-UV-20W-X

FIXTURE FAMILY	DIMENSION	SHAPE	CCT	BEAM ANGLE	INPUT VOLTAGE	POWER	CONTR OLS	FINISH
<b>AE-DL-UNA</b>	-		-	-	<b>-UV</b>	-	<b>-X</b>	-
<b>AE-DL-UNA</b> UNA Series	<b>-3</b> 3 inches	<b>[LEAVE BLANK]</b> Square	<b>-30</b> 3000K CCT	<b>-15</b> 15° Beam angle	<b>-UV</b> 120-277 V	<b>-10W</b> 10 watts 800 lumens	<b>-X</b> Dual dimming	<b>[LEAVE BLANK]</b> White trim
			<b>-35</b> 3500K CCT	<b>-24</b> 24° Beam angle		<b>-15W</b> 15 watts 1,200 lumens		
				<b>-38</b> 38° Beam angle		<b>-20W</b> 20 watts 1,800 lumens		
	<b>-4</b> 4 inches	<b>R</b> Round	<b>-40</b> 4000K CCT	<b>-55</b> 55° Beam angle		<b>-25W</b> 25 watts 2,200 lumens		<b>-BKT</b> Black trim

# MULTI SERIES

LED SINGLE & MULTI-HEADS

DOWNLIGHT

DATE	
PROJECT NAME	
<b>TYPE</b>	
QTY	
ORDERING CODE	

## DUA

### ORDERING GUIDE

EXAMPLE: AE-DL-DUA-4-35-24-UV-20W-X

FIXTURE FAMILY	DIMENSION	CCT	BEAM ANGLE	INPUT VOLTAGE	POWER	CONTR OLS	FINISH
<b>AE-DL-DUA</b>	-	-	-	<b>-UV</b>	-	<b>-X</b>	-
<b>AE-DL-DUA</b> UNA Series	<b>-3</b> 3 inches	<b>-30</b> 3000K CCT	<b>-15</b> 15° Beam angle	<b>-UV</b> 120-277 V	<b>-20W</b> (2X10 watts) 1,600 lumens	<b>-X</b> Dual dimming	<b>[LEAVE BLANK]</b> White trim
			<b>-24</b> 24° Beam angle		<b>-30W</b> (2X15 watts) 2,400 lumens		
		<b>-35</b> 3500K CCT	<b>-40W</b> (2X20 watts) 3,600 lumens				
	<b>-38</b> 38° Beam angle	<b>-50W</b> (2X25 watts) 4,400 lumens					
	<b>-4</b> 4 inches	<b>-40</b> 4000K CCT	<b>-55</b> 55° Beam angle				
				<b>-BKT</b> Black trim			

# MULTI SERIES

LED SINGLE & MULTI-HEADS

DOWNLIGHT

DATE	
PROJECT NAME	
<b>TYPE</b>	
QTY	
ORDERING CODE	

## TRIA

### ORDERING GUIDE

EXAMPLE: AE-DL-TRIA-3-35-24-UV-30W-X

FIXTURE FAMILY	DIMENSION	CCT	BEAM ANGLE	INPUT VOLTAGE	POWER	CONTR OLS	FINISH
<b>AE-DL-TRIA</b>	<b>-3</b>	-	-	<b>-UV</b>	-	<b>-X</b>	-
<b>AE-DL-TRIA</b> TRIA Series	<b>-3</b> 3 inches	<b>-30</b> 3000K CCT	<b>-15</b> 15° Beam angle	<b>-UV</b> 120-277 V	<b>-30W</b> (3X10W) 2,400 lumens	<b>-X</b> Dual dimming	<b>[LEAVE BLANK]</b> White trim
		<b>-35</b> 3500K CCT	<b>-24</b> 24° Beam angle		<b>-45W</b> (3X15W) 3,600 lumens		
		<b>-38</b> 38° Beam angle	<b>-BKT</b> Black trim				
		<b>-40</b> 4000K CCT			<b>-55</b> 55° Beam angle		

# MULTI SERIES

LED SINGLE & MULTI-HEADS

DOWNLIGHT

DATE	
PROJECT NAME	
<b>TYPE</b>	
QTY	
ORDERING CODE	

## ACCESSORIES

(Ordered separately)

EXAMPLE: AE-DL-FRKT-UNA-03

FIXTURE FAMILY	SERIES	SIZE
<b>AE-DL-FRKT</b>	<b>-UNA</b>	-
<b>AE-DL-FRKT</b> ERALUX Frame kit	<b>-UNA</b> UNA series	<b>-03</b> 3 INCHES UNA
		<b>-04</b> 4 INCHES UNA

EXAMPLE: AE-DL-FRKT-DUA-03

FIXTURE FAMILY	SERIES	SIZE
<b>AE-DL-FRKT</b>	<b>-DUA</b>	-
<b>AE-DL-FRKT</b> ERALUX Frame kit	<b>-DUA</b> DUA series	<b>-03</b> 3 INCHES DUA
		<b>-04</b> 4 INCHES DUA

EXAMPLE: AE-DL-FRKT-TRIA-03

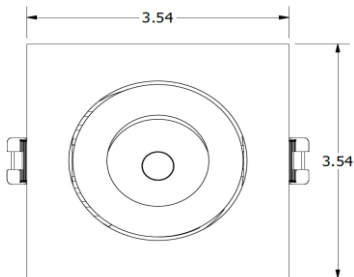
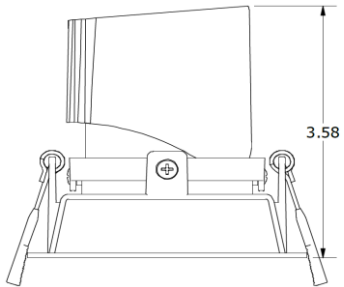
FIXTURE FAMILY	SERIES	SIZE
<b>AE-DL-FRKT</b>	<b>-TRIA</b>	<b>-03</b>
<b>AE-DL-FRKT</b> ERALUX Frame kit	<b>-TRIA</b> TRIA series	<b>-3</b> 3 INCHES TRIA

DATE	
PROJECT NAME	
<b>TYPE</b>	
QTY	
ORDERING CODE	

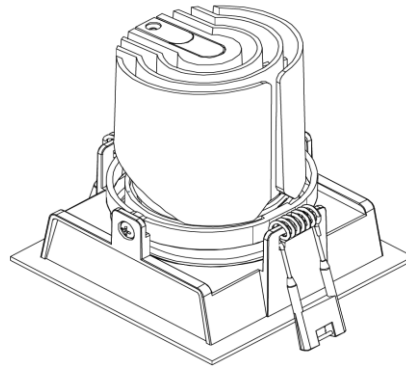
## UNA

### PRODUCT DIMENSIONS

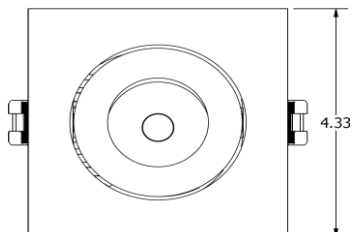
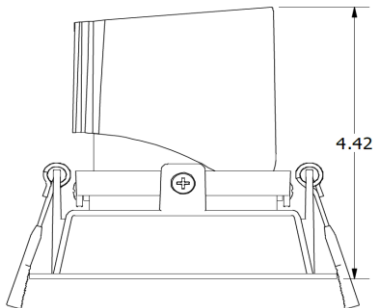
AE-DL-UNA-3



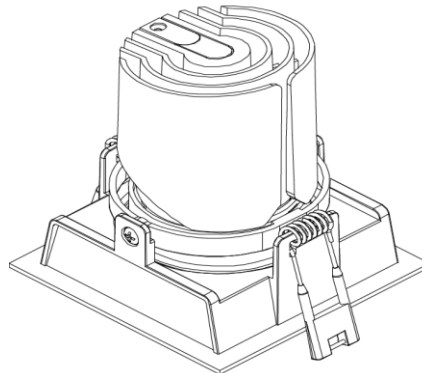
Cut out: 3.15x3.15 in [80x80mm]



AE-DL-UNA-4



Cut out: 3.74x3.74in [95x95mm]



# eralux® MULTI SERIES

LED SINGLE & MULTI-HEADS

DOWNLIGHT

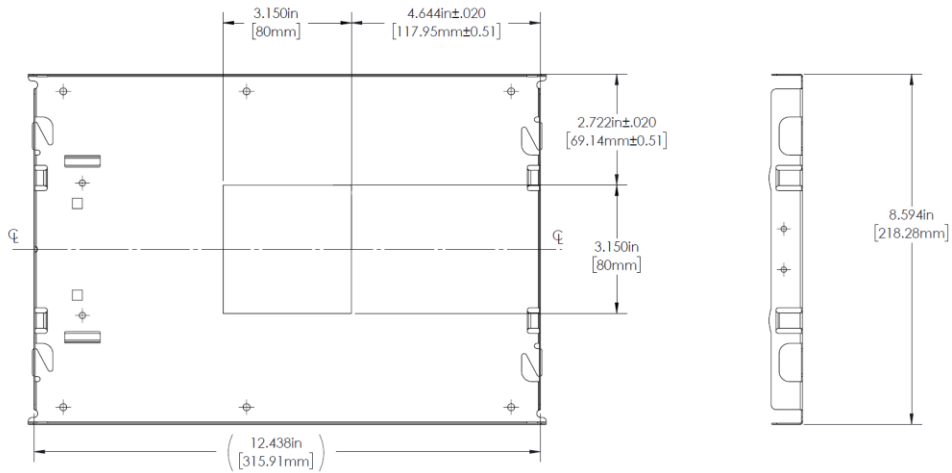
DATE	
PROJECT NAME	
TYPE	
QTY	
ORDERING CODE	

## UNA

### FRAME KIT DIMENSIONS

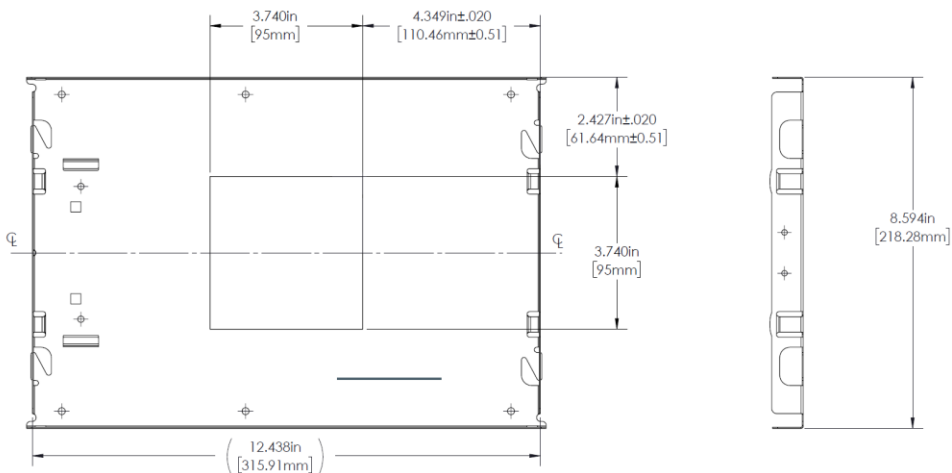
AE-DL-FRKT-UNA-3

(Ordered Separately)



AE-DL-FRKT-UNA-4

(Ordered Separately)



# eralux® MULTI SERIES

LED SINGLE & MULTI-HEADS

DOWNLIGHT

DATE

PROJECT  
NAME

TYPE

QTY

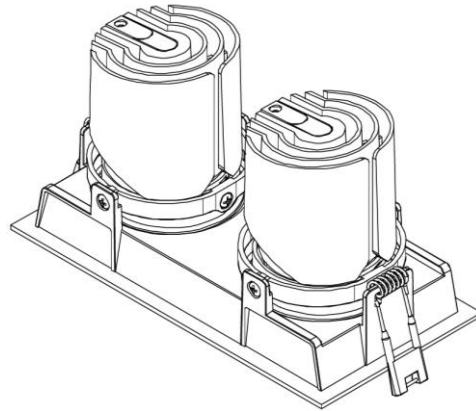
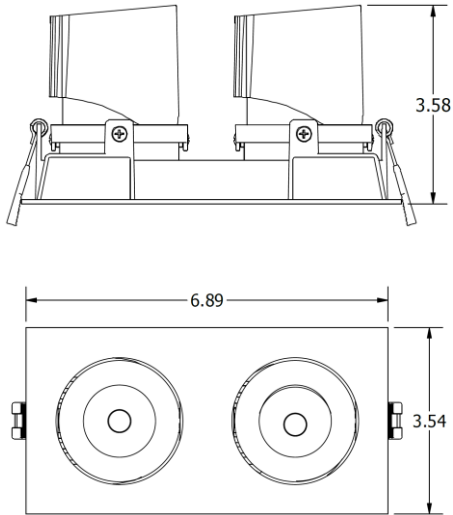
ORDERING  
CODE

## DUA

### PRODUCT DIMENSIONS

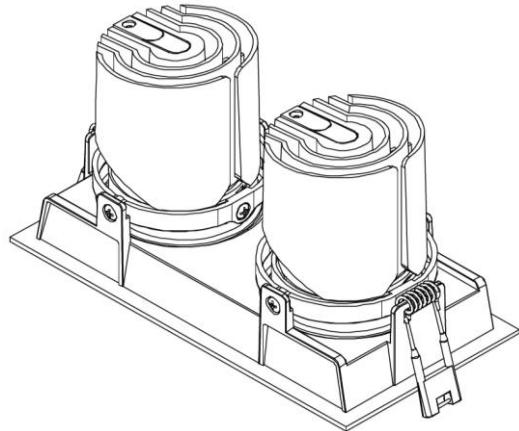
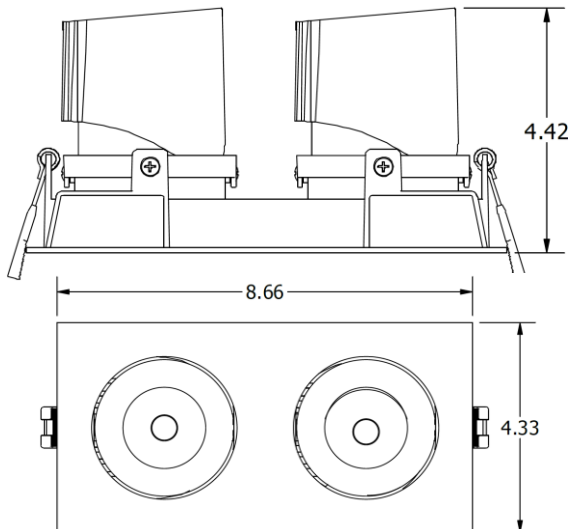
AE-DL-DUA-3

Cut out: 6.5x3.16in [165x80mm]



AE-DL-DUA-4

Cut out: 8.08x3.73in [205x95mm]





eralux®  
**MULTI SERIES**

LED SINGLE & MULTI-HEADS

DOWNLIGHT

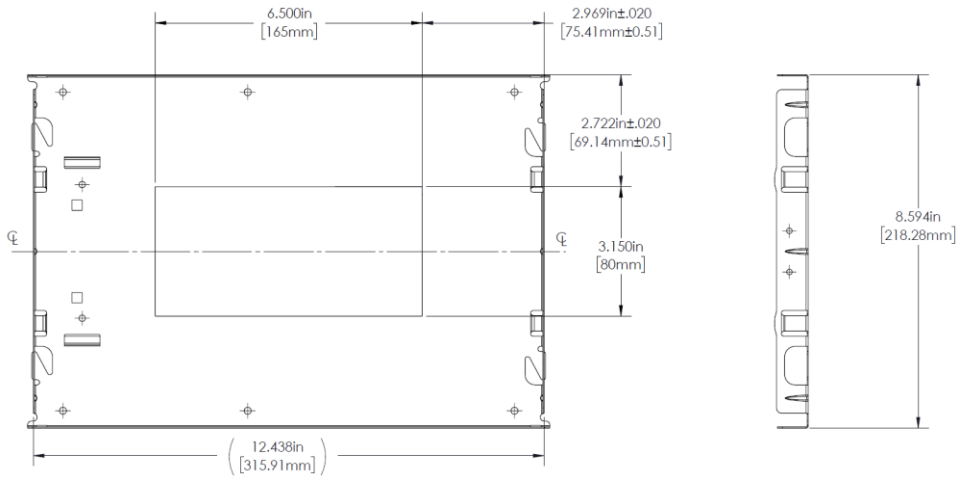
DATE	
PROJECT NAME	
<b>TYPE</b>	
QTY	
ORDERING CODE	

**DUA**

**FRAME KIT DIMENSIONS**

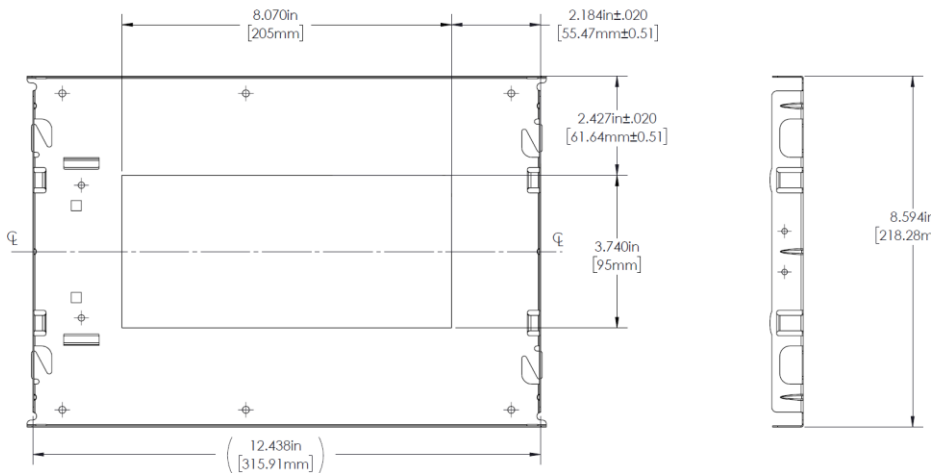
AE-DL-FRKT-DUA-3

(Ordered Separately)



AE-DL-FRKT-DUA-4

(Ordered Separately)



# eralux® MULTI SERIES

LED SINGLE & MULTI-HEADS

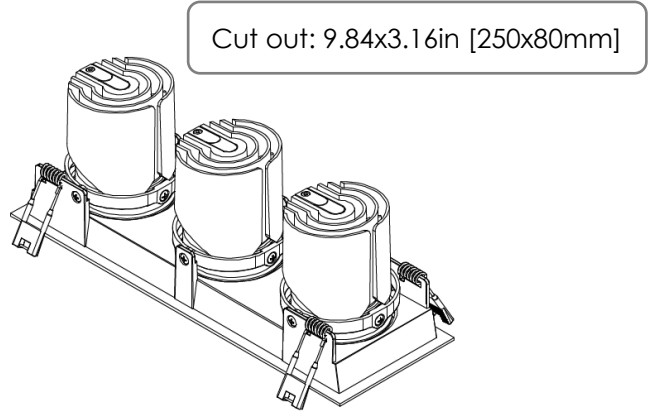
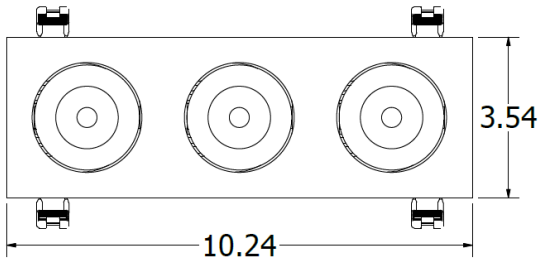
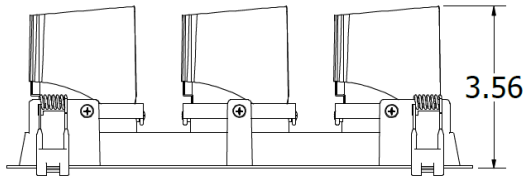
DOWNLIGHT

DATE	
PROJECT NAME	
<b>TYPE</b>	
QTY	
ORDERING CODE	

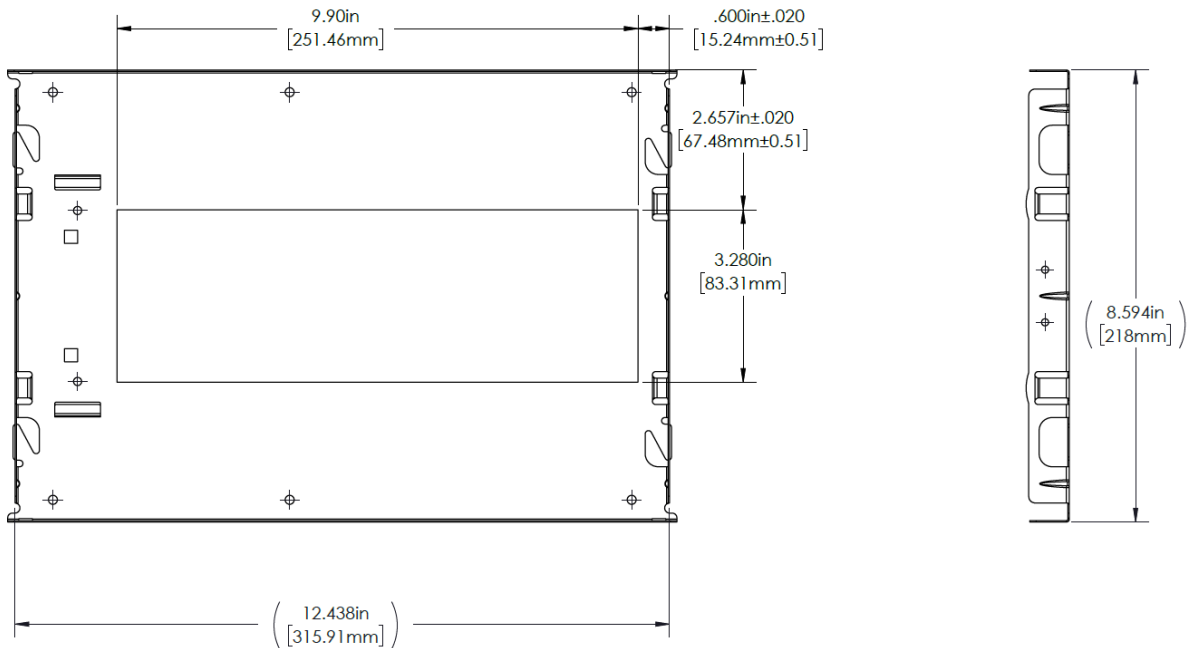
## TRIA

### PRODUCT DIMENSIONS

AE-DL-TRIA-3



### TRIA FRAME KIT DIMENSIONS



# eralux® MULTI SERIES

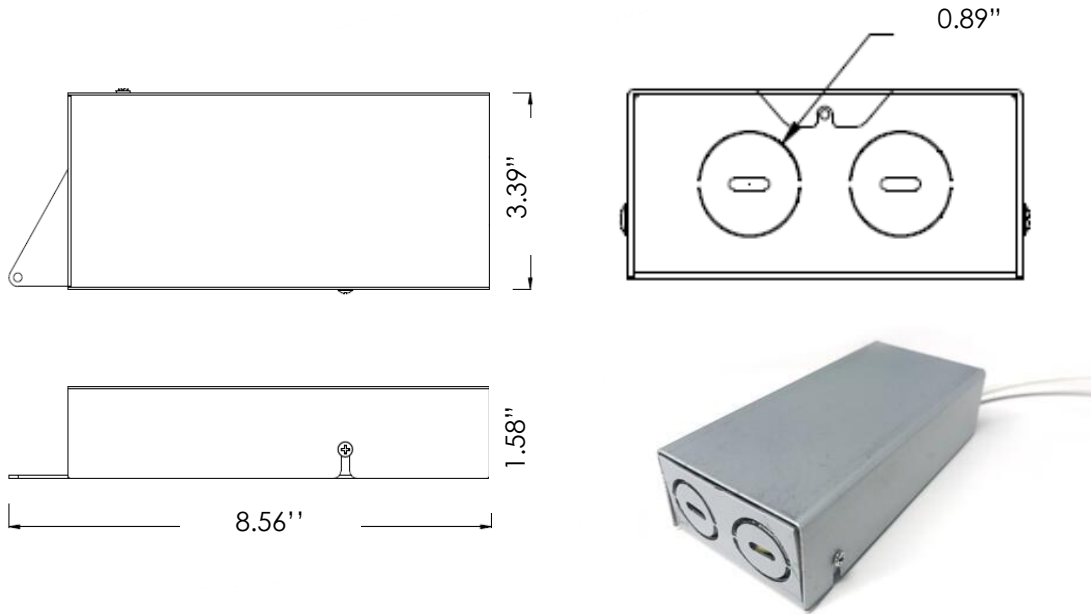
LED SINGLE & MULTI-HEADS

DOWNLIGHT

DATE	
PROJECT NAME	
<b>TYPE</b>	
QTY	
ORDERING CODE	

## JUNCTION BOX DIMENSIONS

(COMPATIBLE WITH SINGLE AND MULTI HEADS)



## LUMIN ESTIMATE

Lumen output varies based on CCT and CRI. An estimate of lumen output of the various CCT/CRI combinations, use correction factors as per table below:

LUMEN ESTIMATE ADJUSTMENT FACTORS				
CCT	2700K	3000K	3500K	4000K
NORMAL (90CRI)	.94	1	1.02	1.03

# eralux® MULTI SERIES

LED SINGLE & MULTI-HEADS

DOWNLIGHT

DATE	
PROJECT NAME	
<b>TYPE</b>	
QTY	
ORDERING CODE	

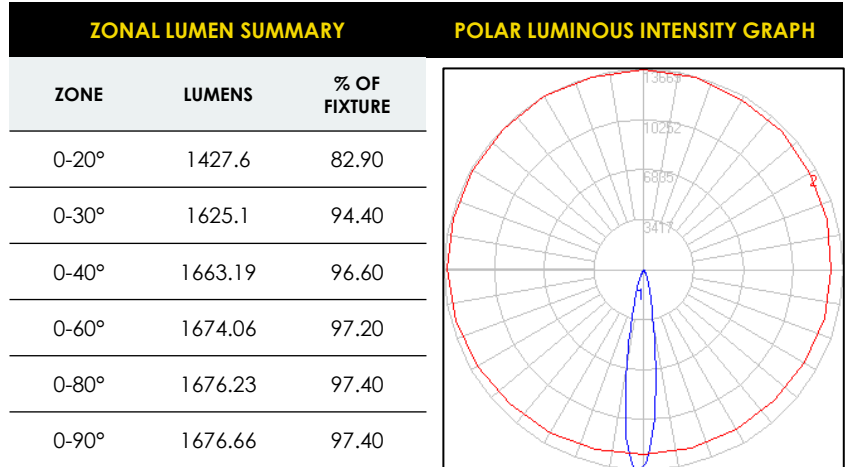
## PHOTOMETRIC DATA

AE-DL-UNA-4-30-15-UV-25W-X

4 inch

15° Beam angle

25 Watts

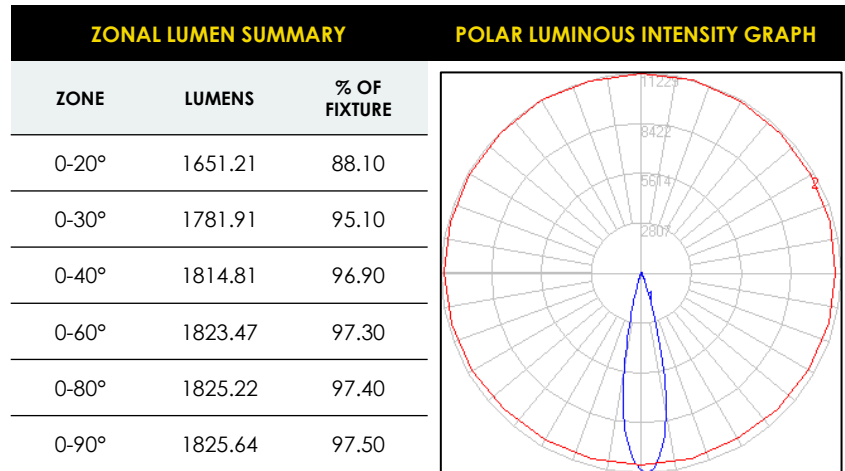


AE-DL-UNA-4-30-24-UV-25W-X

4 inch

24° Beam angle

25 Watts

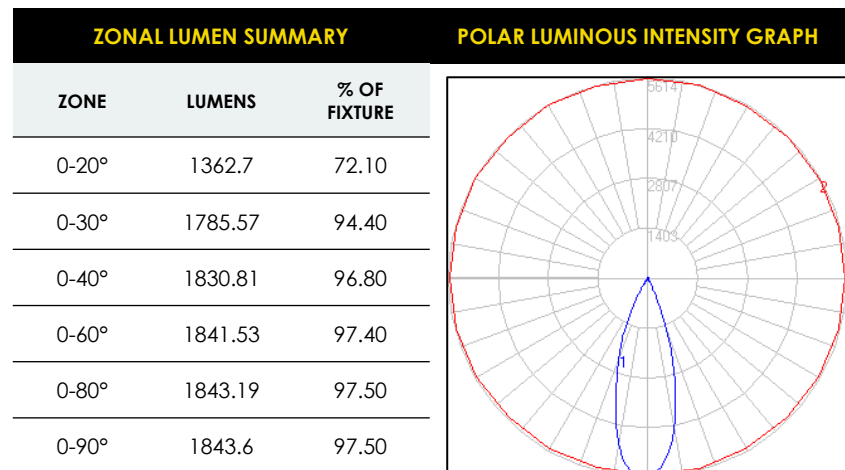


AE-DL-UNA-4-30-38-UV-25W-X

4 inch

38° Beam angle

25 Watts



# eralux® MULTI SERIES

LED SINGLE & MULTI-HEADS

DOWNLIGHT

DATE	
PROJECT NAME	
<b>TYPE</b>	
QTY	
ORDERING CODE	

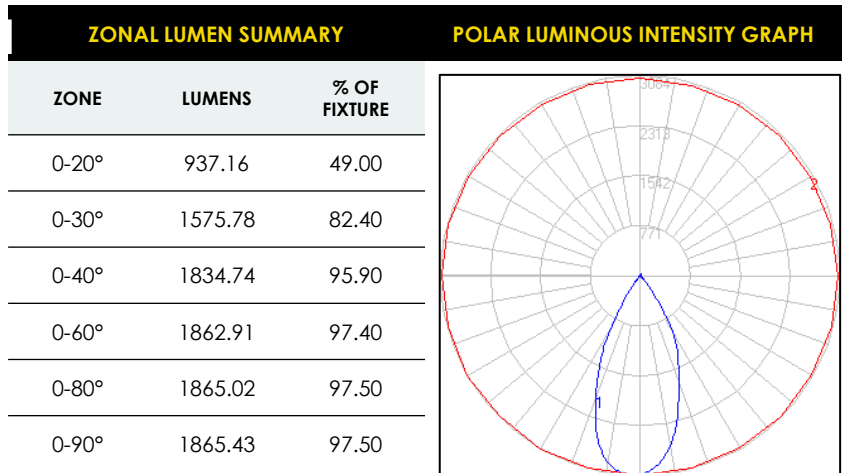
## PHOTOMETRIC DATA

AE-DL-UNA-4-30-55-UV-25W-X

4 inch

55° Beam angle

25 Watts



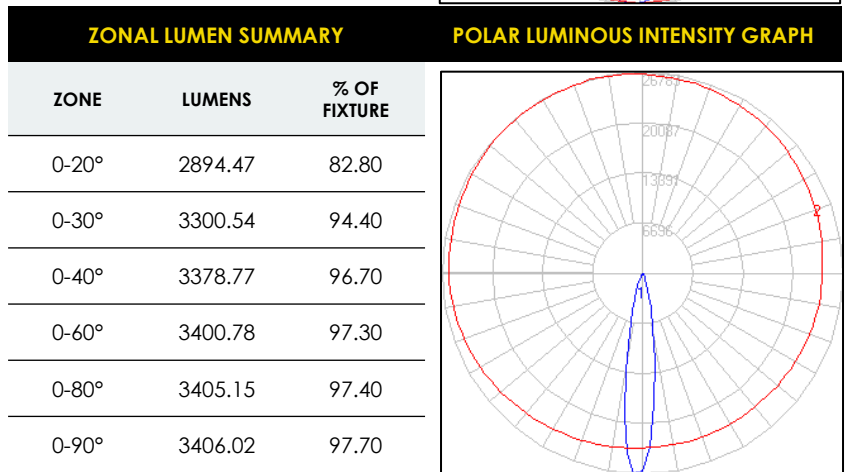
AE-DL-DUA-4-30-15-UV-50W-X

4 inch

3000K CCT

15°

50W



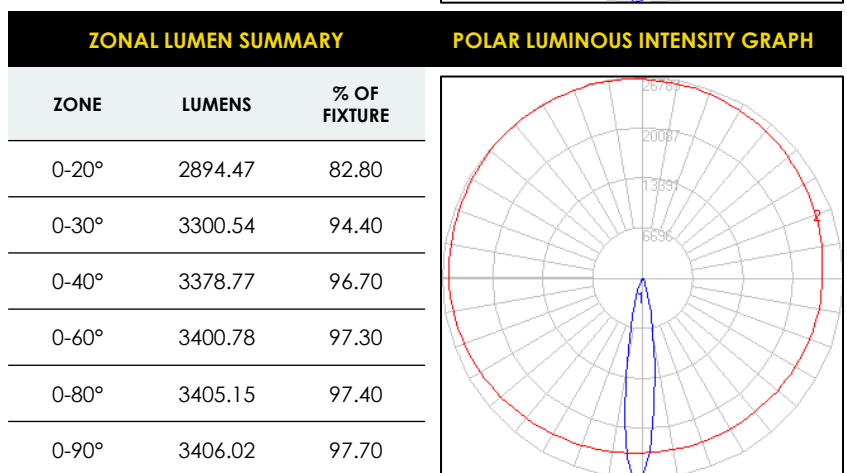
AE-DL-DUA-4-30-15-UV-50W-X

4 inch

3000K CCT

15°

50W



# eralux® MULTI SERIES

LED SINGLE & MULTI-HEADs

DOWNLIGHT

DATE	
PROJECT NAME	
<b>TYPE</b>	
QTY	
ORDERING CODE	

## PHOTOMETRIC DATA

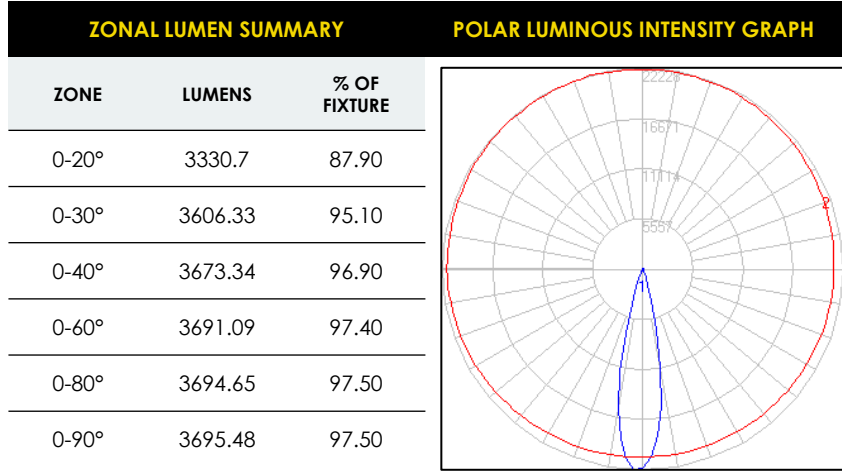
AE-DL-DUA-4-30-24-UV-50W-X

4 inch

3000K CCT

24°

50W



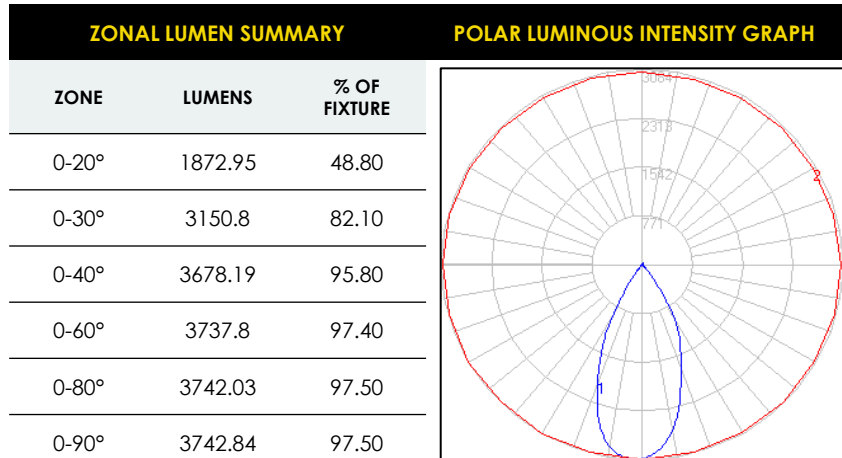
AE-DL-DUA-4-30-55-UV-50W-X

4 inch

3000K CCT

55°

50W



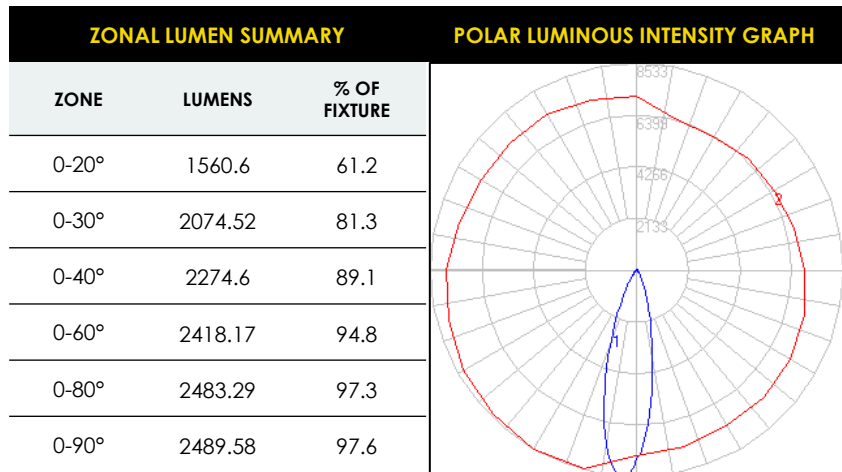
AE-DL-TRIA-3-30-15-UV-30W-X

3 inch

3000K CCT

15°

30W



# eralux® MULTI SERIES

LED SINGLE & MULTI-HEADS

DOWNLIGHT

DATE	
PROJECT NAME	
<b>TYPE</b>	
QTY	
ORDERING CODE	

## PHOTOMETRIC DATA

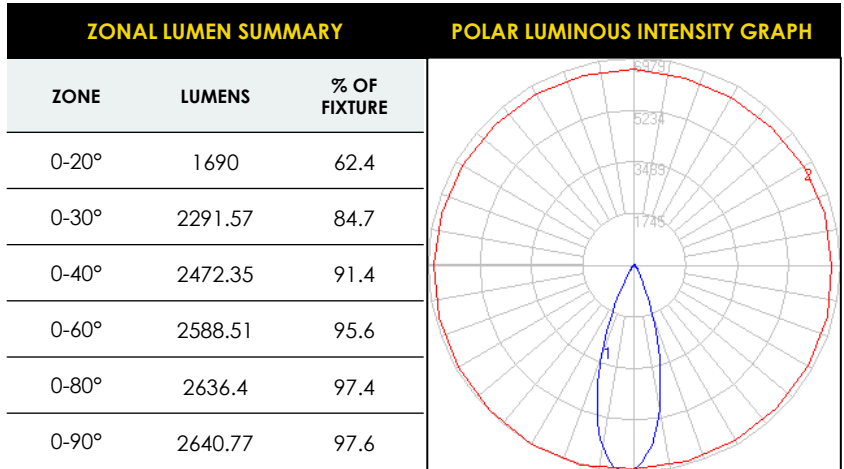
AE-DL-TRIA-3-30-24-UV-30W-X

3 inch

3000K CCT

24°

30W



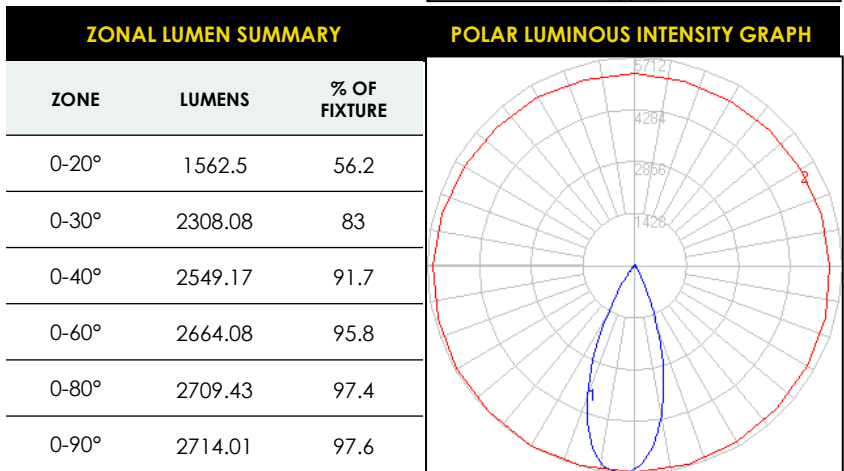
AE-DL-TRIA-3-30-38-UV-30W-X

3 inch

3000K CCT

38°

30W



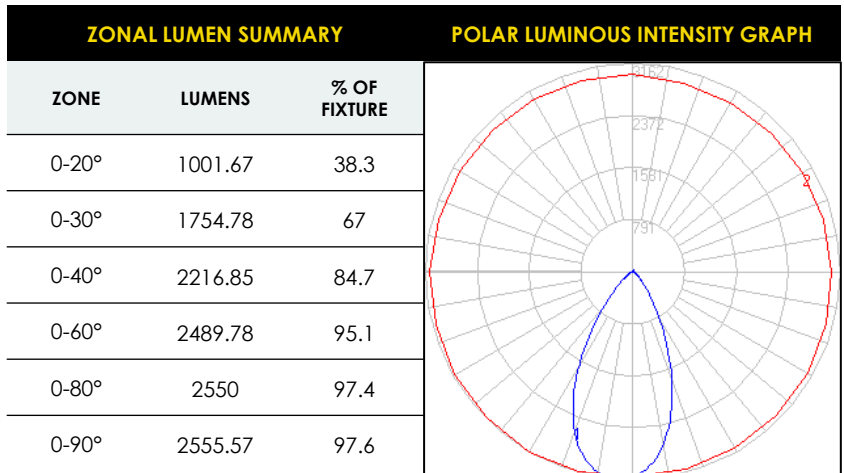
AE-DL-TRIA-3-30-55-UV-30W-X

3 inch

3000K CCT

55°

30W

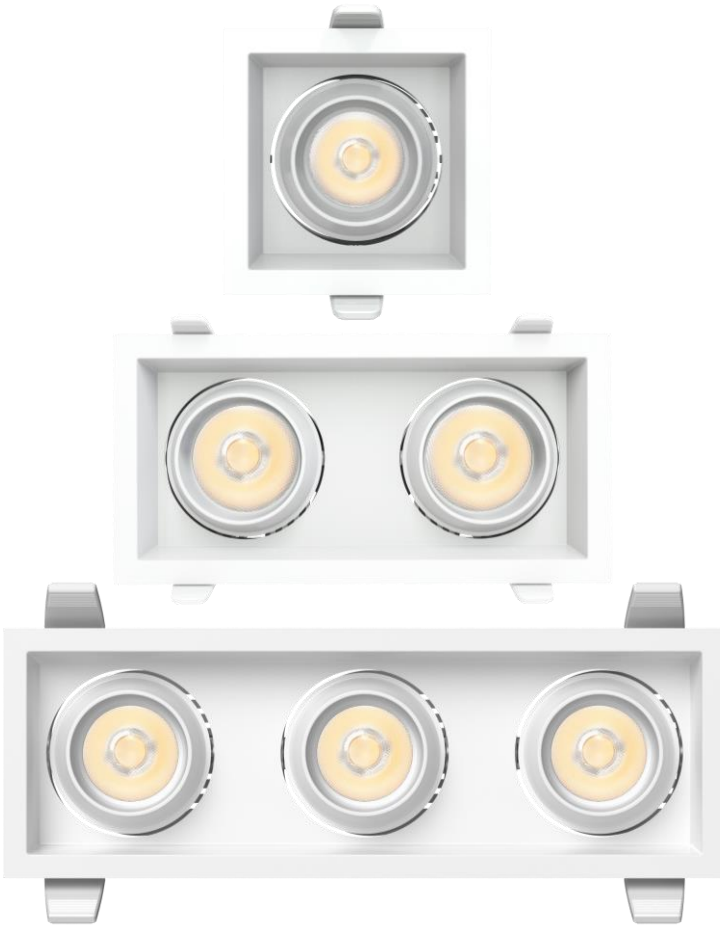


# MULTI SERIES

LED SINGLE & MULTI-HEADS  
DOWNLIGHTS

DATE	
PROJECT NAME	
<b>TYPE</b>	
QTY	
ORDERING CODE	

## OVERVIEW



### **SUPER MODULAR DESIGN**

Unique super modular design making the assemble and disassemble process toolless and effortless. Lens changing and trim changing can be easily be easily done on the field.

### **FLEXIBLE HEADS**

Limitless possibilities with the possibility to aim and adjust the heads in many directions to achieve the desired lighting experience.

### **ELECTRICALS**

Power goes up to 50W max. Also comes standard with dual dimming such as 0-10V and phase dimming.

### **HIGH-END FIXTURE**

Radial engine shape conveniences wire arrangement and reduces engine weight without sacrificing aesthetics.

### **Beam/Tilt angle**

Variable beam angle options are available satisfying any project from narrow to wide Distribution and 30° adjustable on all axis feature.

