

# TRIA

## LED COMMERCIAL DOWNLIGHT

### Recessed Multi Head Downlight | 3" - 5" Square

The TRIA, part of the multi-head family, offers a sleek design and unparalleled flexibility, providing the ultimate lighting solution for any environment. The TRIA series features three light engines ranging from 10W to 35W each head, delivering powerful and customizable illumination. Additionally, its spring mechanism ensures fast and easy installation. Applications: Art Galleries | Show Rooms | Retail Stores | Hospitality | Office.



	DATE	QTY	ACC. QTY	TYPE
PROJECT				
PN				
ACCESSORY PN				
NOTES				



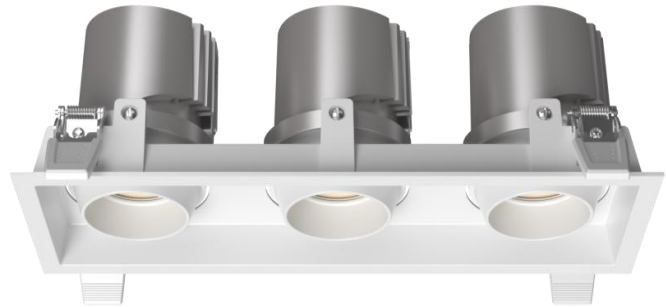
#### DYNAMIC MENU

Order Information	<a href="#">Page 2</a>
Dimensions	<a href="#">Page 3</a>
Accessories	<a href="#">Page 4</a>
Photometric Data	<a href="#">Page 7</a>

[Install Instruction link](#)

#### SPECIFICATIONS

Input Voltage	120-277V	
Power Factor	>0.9	
Total Harmonic Distortion	<20%	
Dimming <a href="#">Page 7</a>	Dual Dimming TRIAC & 0-10V dimming (down 10%)	
CRI	90 CRI	
CCT	<span style="border: 1px solid black; border-radius: 50%; padding: 2px;">30K</span> <span style="border: 1px solid black; border-radius: 50%; padding: 2px; margin-left: 10px;">35K</span> <span style="border: 1px solid black; border-radius: 50%; padding: 2px; margin-left: 10px;">40K</span>	
Efficacy	~80 LPW	
Size and Power	3"	30W   45W
	5"	90W   105W
Ambient Temperature Range	-10°C to 40°C	
Mounting Options	New construction   Retrofit Recessed	
Trim Finish		
Trim Shape		
Optical Accessories	Honeycomb louver   Soft lens	
Distribution		



#### PRODUCT FEATURE



IP20



IP44

Optional



Emergency backup battery

#### PRODUCT CERTIFICATIONS



5 YEARS WARRANTY  
eralux



RoHS



ETL LISTED  
US

#### SYSTEM WARRANTY – 5 YEARS

Eralux will warrant defective drivers, LEDs and boards for 5 years from the date of purchase. This warranty is valid only if the fixture is installed and used as per installation guides and specifications. If a defect is present, Eralux will send drivers and boards at no fee with a thorough replacement instructions along with instructions on the return of the defective parts back to Eralux.

#### LUMEN MAINTENANCE – L70 at 50,000 hours

Rated for 70% initial lumen output at 50,000 hours of operation, operated at 25°C ambient temperature; per guidelines published by the Illuminating Engineering Society (IES).

## LED COMMERCIAL DOWNLIGHT

Recessed Multi Head Downlight | 3" - 5" Square

### ORDERING GUIDE

AE-DL-TRIA				-UV		-X	
<b>AE-DL-TRIA</b> ERALUX TRIA Recessed downlight Single Head	<b>-3</b> 3 Inch	<b>-30</b> 3000K	<b>-15</b> Narrow Flood 15°	<b>-UV</b> 120-277V	<b>-30W</b> 3X10W   2400lm 3"	<b>-X</b> Dual Dimming 0-10V & TRIAC	<b>[Blank]</b> White Trim
	<b>-5</b> 5 Inch	<b>-35</b> 3500K	<b>-24</b> Flood 24°		<b>-45W</b> 3X15W   3600lm 3"		<b>-BKT</b> Black Trim
		<b>-40</b> 4000K	<b>-38</b> Wide Flood 38°		<b>-90W</b> 3X30W   7200lm 5"		
			<b>-55</b> Very Wide flood 55°		<b>-105W</b> 3X35W   8400lm 5"		
Fixture Family	Size	CCT	Distribution	Input voltage	Power	Dimming	Finish

### ORDERING GUIDE – ACCESSORIES | IP

<b>AE-DL-KN</b> ERALUX Tria	<b>-3</b> 3 Inch	<b>-COMB</b> Honeycomb louder
3 needed 1 for each head	<b>-5</b> 5 Inch	<b>-SOFTLENS</b>

<b>[BLANK]</b> Standard IP20
<b>AE-DL-TRIA-IP44-KIT</b> IP44

Fixture Family	SIZE	Accessory
----------------	------	-----------

IP Rating
-----------

### ORDERING GUIDE – FRAME KIT | EMBB

<b>AE-DL-FRKT</b> ERALUX FRAME KITS Downlights	<b>-TRIA</b> TRIA Square frame	<b>-03</b> 3 Inch	<b>-UNV<sup>1</sup></b>
		<b>-05</b> 5 Inch	

<b>[BLANK]</b> No EMBB
<b>BLD-HM8D-YYY</b> 8W emergency battery backup

Fixture Family	Shape	SIZE	TYPE
----------------	-------	------	------

EMBB
------

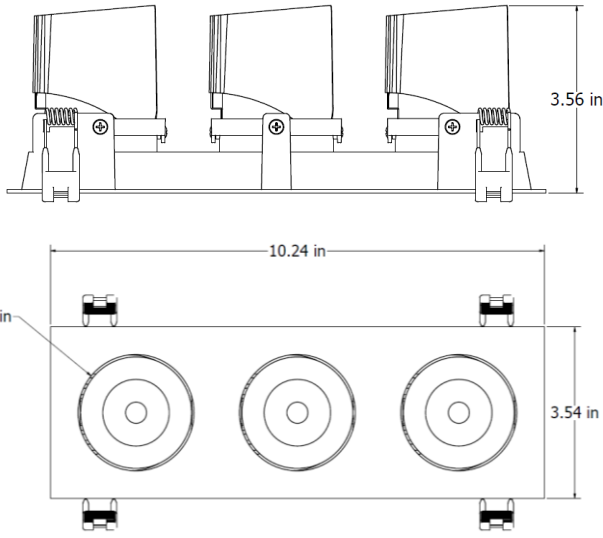
1. Junction Box is not included. TRIA SERIES comes with a junction box by default.

## LED COMMERCIAL DOWNLIGHT

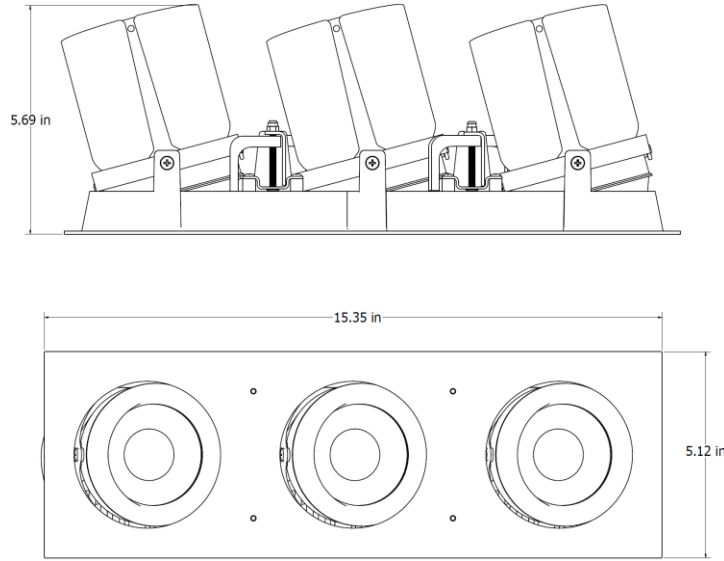
Recessed Multi Head Downlight | 3" - 5" Square

### DIMENSIONS

**AE-DL-TRIA-3**  
Spring Clips



**AE-DL-TRIA-5**  
Roto-Lock Clamps

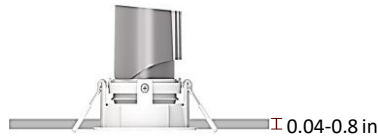


Ceiling Cut out  
9.84 x 3.16"

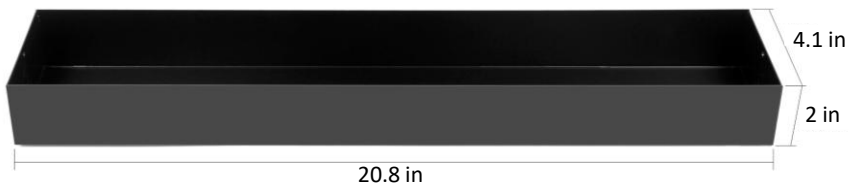


Ceiling Cut out  
14.64 x 4.5"

### Ceiling Thickness

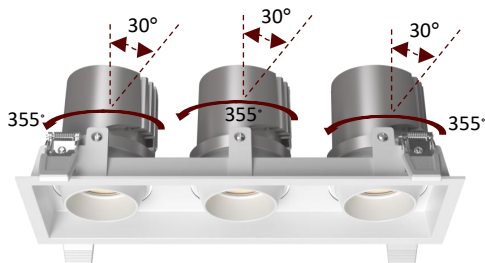


### Housing for three drivers



## LED COMMERCIAL DOWNLIGHT

Recessed Multi Head Downlight | 3" - 5" Square



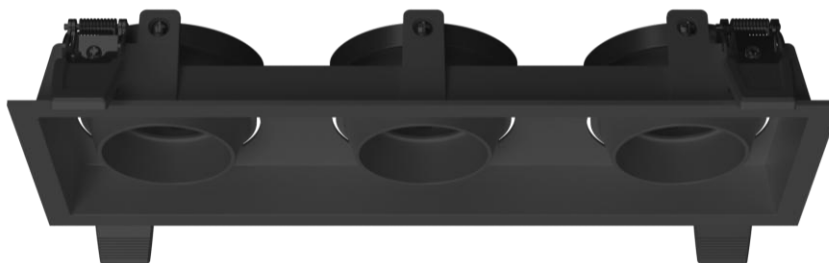
### TRIM

#### FINISH

WHITE  
(-WHT)



Black  
(-BKT)



### OPTICAL ACCESSORIES

ORDERING CODE	DESCRIPTION	LIGHT GLARE	PICTURE
AE-DL-KN-3-COMB	Hex louver Reduce the glare of the light source and luminaire 3 needed for each fixture		
AE-DL-KN-3-SOFTLENS	Softening Glass lens 3 needed for each fixture		

## LED COMMERCIAL DOWNLIGHT

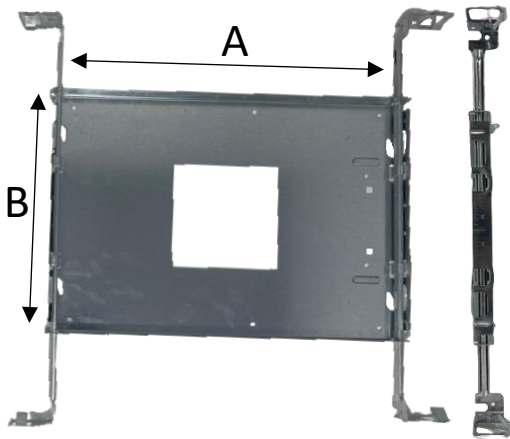
Recessed Multi Head Downlight | 3" - 5" Square

### MOUNTING ACCESSORIES

Ordered separately, field installed.

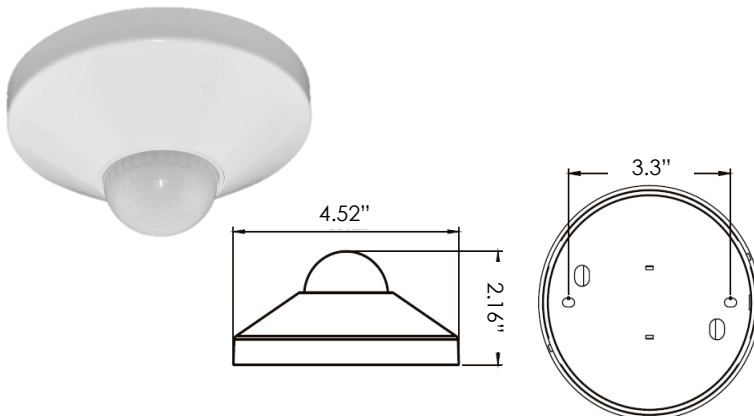
### NEW CONSTRUCTION UNIVERSAL FRAME KIT

SPECIFICATIONS	
<b>MATERIAL</b>	22-gauge galvanized steel housing
<b>MOUNTING</b>	T Grid Ceiling
	Gypsum Ceiling
	Maximum Thickness ~1.5"
<b>LENGTH (A)</b>	12.75"
<b>WIDTH (B)</b>	8.63"



### ROOM OCCUPANCY SENSOR

PART NUMBER	DESCRIPTION
AE-CT-DT806	Detecta - Room Occupancy Sensor
RC102	RC102 Remote Control



SPECIFICATIONS	
<b>Input Voltage</b>	120-277 Vac
<b>Power Frequency</b>	50/60HZ
<b>Rated Load</b>	At 120 Vac 800W
	At 277 Vac 1200W
<b>Detection Range</b>	3-10 Meters
	9.8- 32.8 Feet
<b>Standby Power</b>	~0.9W
<b>Time Setting</b>	10 sec to 30 min
<b>Light Control</b>	10-2,000LUX
<b>Installation</b>	Ceiling Mounted

## LED COMMERCIAL DOWNLIGHT

Recessed Multi Head Downlight | 3" - 5" Square

### CONTROLS

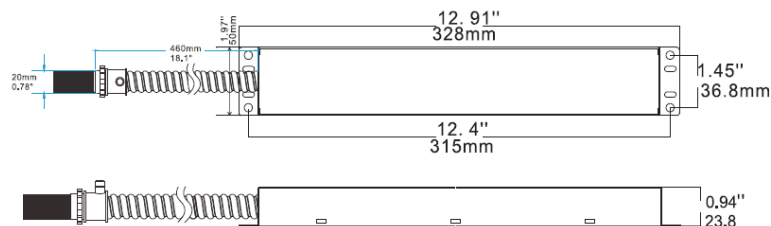
Ordered separately, field installed

### EMERGENCY LED DRIVER (BLD-HMXXD-YYY)

BLD-HM8D-YYY



The BLD-HMXXD-YYY series LED Emergency Driver is UL listed for field and factory installations. It switches to emergency mode during power failures, providing up to 90 minutes of lighting. With an integrated battery, charger, and converter, it delivers 6-25W constant power at 170VDC. Ideal for 0-10V dimmable indoor commercial LED fixtures, such as flat panels, troffers, downlights, and linear strip lights.



SPECIFICATIONS	
Input Voltage	100-347 Vac
Power Frequency	50/60HZ
Input Power	8W max
Output Voltage	170V Dc
Output Power	8W
Ambient Temperature	0°C to 50°C
	30°F to 122°F
Installation	Remote

### DIMMER COMPATIBILITY LIST

Brand	Model	Dim Depth To	DIM
LEVITON	IPM10	OFF	TRIAc
	6674	OFF	TRIAc
	AWSMT-EB	OFF	TRIAc
LUTRON	DVCL-153P	2%	TRIAc
	NTLV-603P	1%	TRIAc
	GT-250M	1%	TRIAc
	MACL-153M	1%	TRIAc
	PD-6WCL	1%	TRIAc
	DSL06	2%	TRIAc
	DV-600P	1%	TRIAc
	RRD-10ND	2%	TRIAc
	NTELV-300	1%	ELV
	SELV-300P	1%	ELV

## LED COMMERCIAL DOWNLIGHT

Recessed Multi Head Downlight | 3" - 5" Square

### PHOTOMETRIC DATA

PART NUMBER		ZONAL LUMEN SUMMARY			POLAR LUMINOUS INTENSITY	CONE DISTRIBUTION			
AE-DL-TRIA-XXXX		Zone	Lumens	% Fixture	Direct Light	Center Beam Fc	Beam Width		
Wattage	30W	0-20°	1560.6	61.2		2.5ft	1242 fc	1.1 ft	1.2 ft
CCT	3000K	0-30°	2074.52	81.3		5.0ft	311 fc	2.3 ft	2.4 ft
Distribution	15°	0-40°	2274.6	89.1		7.5ft	138 fc	3.4 ft	3.6 ft
SIZE	3"	0-60°	2418.17	94.8		10.0ft	77.7 fc	4.5 ft	4.8 ft
		0-80°	2483.29	97.3		12.5ft	49.7 fc	5.6 ft	6.0 ft
		0-90°	2489.58	97.6		15.0ft	34.5 fc	6.8 ft	7.2 ft
						<span style="color: blue;">■</span> Vert. Spread: 25.5° <span style="color: red;">■</span> Horiz. Spread: 26.8°			

PART NUMBER		ZONAL LUMEN SUMMARY			POLAR LUMINOUS INTENSITY	CONE DISTRIBUTION			
AE-DL-TRIA-XXXX		Zone	Lumens	% Fixture	Direct Light	Center Beam Fc	Beam Width		
Wattage	30W	0-20°	1690	62.4		2.5ft	1099 fc	1.5 ft	1.5 ft
CCT	3000K	0-30°	2291.57	84.7		5.0ft	275 fc	3.0 ft	3.0 ft
Distribution	24°	0-40°	2472.35	91.4		7.5ft	122 fc	4.5 ft	4.6 ft
SIZE	3"	0-60°	2588.51	95.6		10.0ft	68.7 fc	6.0 ft	6.1 ft
		0-80°	2636.4	97.4		12.5ft	44 fc	7.5 ft	7.6 ft
		0-90°	2640.77	97.6		15.0ft	30.5 fc	9.0 ft	9.1 ft
						<span style="color: blue;">■</span> Vert. Spread: 33.5° <span style="color: red;">■</span> Horiz. Spread: 33.8°			

PART NUMBER		ZONAL LUMEN SUMMARY			POLAR LUMINOUS INTENSITY	CONE DISTRIBUTION			
AE-DL-TRIA-XXXX		Zone	Lumens	% Fixture	Direct Light	Center Beam Fc	Beam Width		
Wattage	30W	0-20°	1562.5	56.2		2.5ft	891 fc	1.8 ft	1.8 ft
CCT	3000K	0-30°	2308.08	83		5.0ft	223 fc	3.6 ft	3.6 ft
Distribution	38°	0-40°	2549.17	91.7		7.5ft	99 fc	5.4 ft	5.4 ft
SIZE	3"	0-60°	2664.08	95.8		10.0ft	55.7 fc	7.2 ft	7.2 ft
		0-80°	2709.43	97.4		12.5ft	35.6 fc	8.9 ft	9.0 ft
		0-90°	2714.01	97.6		15.0ft	24.7 fc	10.7 ft	10.8 ft
						<span style="color: blue;">■</span> Vert. Spread: 39.4° <span style="color: red;">■</span> Horiz. Spread: 39.7°			

PART NUMBER		ZONAL LUMEN SUMMARY			POLAR LUMINOUS INTENSITY	CONE DISTRIBUTION			
AE-DL-TRIA-XXXX		Zone	Lumens	% Fixture	Direct Light	Center Beam Fc	Beam Width		
Wattage	30W	0-20°	1001.67	38.3		2.5ft	498 fc	2.4 ft	2.5 ft
CCT	3000K	0-30°	1754.78	67		5.0ft	124 fc	4.8 ft	5.0 ft
Distribution	55°	0-40°	2216.85	84.7		7.5ft	55.3 fc	7.2 ft	7.4 ft
SIZE	3"	0-60°	2489.78	95.1		10.0ft	31.1 fc	9.6 ft	9.9 ft
		0-80°	2550	97.4		12.5ft	19.9 fc	12.0 ft	12.4 ft
		0-90°	2555.57	97.6		15.0ft	13.8 fc	14.4 ft	14.9 ft
						<span style="color: blue;">■</span> Vert. Spread: 51.2° <span style="color: red;">■</span> Horiz. Spread: 52.7°			

## LED COMMERCIAL DOWNLIGHT

Recessed Multi Head Downlight | 3" - 5" Square

### OVERVIEW



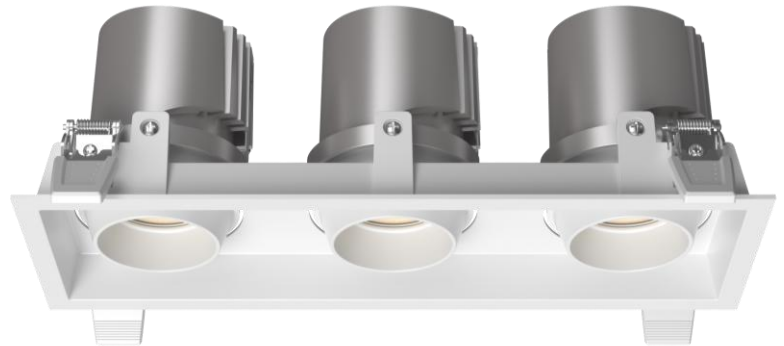
#### Innovative Design

- Brushed metal housing.
- Improved design extends LED and driver lifespan.
- Stainless steel spring-action clips



#### Multiple Options

- Powers 30W, 45W, 90W, and 105W
- Black & white trim options.
- CCT available 2700K, 3000K, 3500K and 4000K
- Four distributions (15°, 24°, 38°, 55°)



#### Accessories

- Hex louvers and soft lens.
- New construction frame kit.
- Emergency back up battery.



#### Tests And Certifications



Optional

Emergency backup battery

