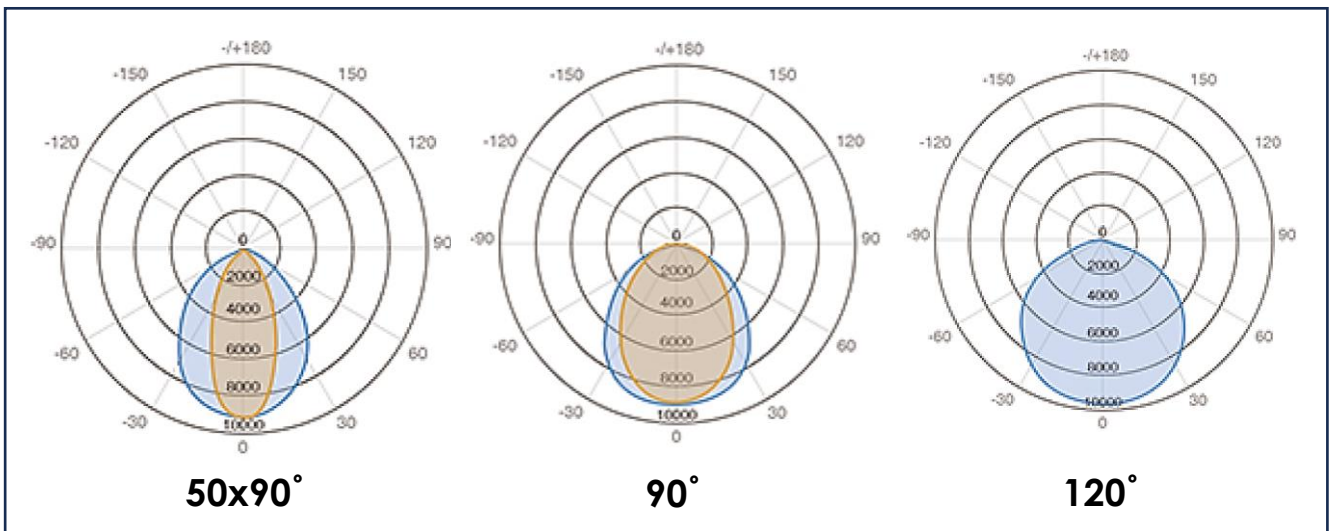


ORDERING GUIDE

EXAMPLE: AE-IL-TR75W-40-UV-220-120-0-10SS

FIXTURE FAMILY	POWER	CCT	VOLTAGE	LED CODE	BEAM ANGLE	CONTROL	DRIVER
AE-IL-TR					-		SS
AE-IL-TR ERALUX industrial fixtures Trinity rectangular high bay	75W- 75 Watts: 11,250 lumens	40- 4000K CCT	UV- 120-277Vac	220-	90- 90° beam angle	0-10 0-10 external dimming down to 10%	SS
	100W- 100 Watts: 15,000 lumens			280-			
	150W- 150 Watts: 22,500 lumens			440-	120- 120° beam angle	MS- Microwave Sensor PIR Sensor	
	200W- 200 Watts: 30,000 lumens	560-					
	240W- 240 Watts: 36,000 lumens	50- 5000K CCT	HV- 347-480Vac	680-	5090- 50x90° beam angle	EM- Emergency battery backup	SS-6' Cord Nema Plug
	300W- 300 Watts: 45,000 lumens			880-			
	400W- 400 Watts: 60,000 lumens			1120-			

BEAM ANGLE



DATE	
PROJECT NAME	
TYPE	
QTY	
ORDERING CODE	AE-IL-TR - SS

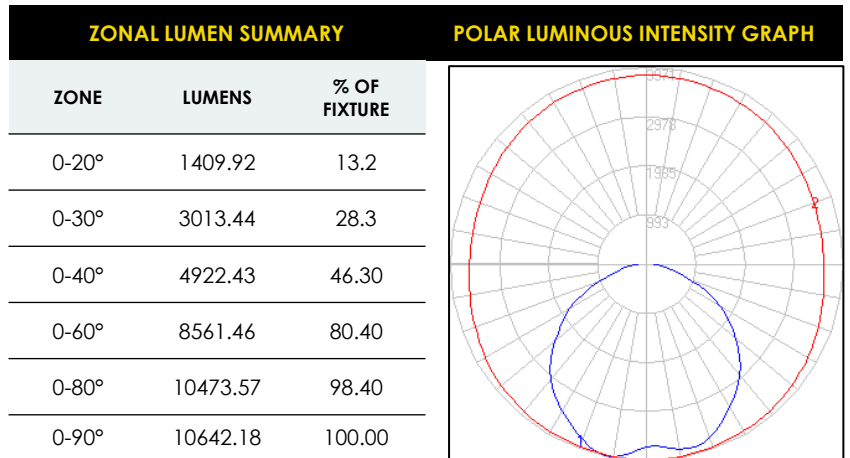
LUMEN ESTIMATE

Lumen output varies based on CCT and CRI. An estimate of lumen output of the various CCT/CRI combinations, use correction factors as per table below:

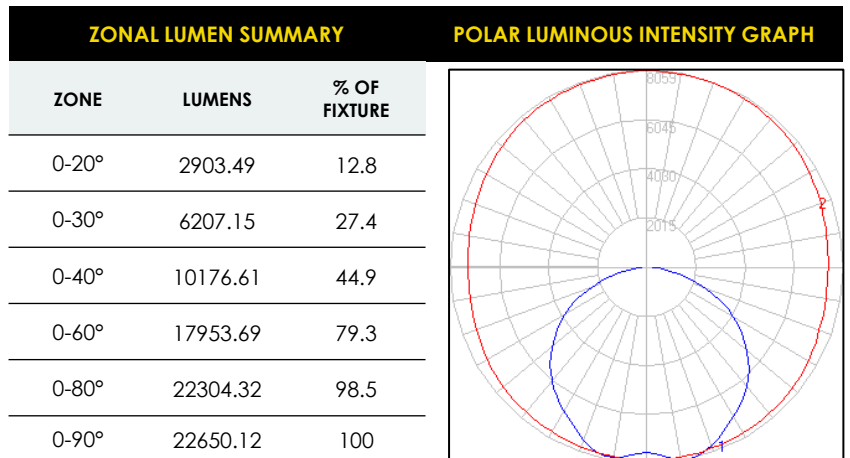
Lumen estimate adjustment factors				
CCT	2700K	3000K	3500K	4000K
NORMAL (80CRI)	0.91	0.94	0.97	1

PHOTOMETRIC DATA

AE-IL-TR75W-40-UV-220-120-XX-SS
 4000k CCT
 75 WATTS
 120 BEAM ANGLE



AE-IL-TR4150W-40-UV-220-120-XX-SS
 150 WATTS
 120 BEAM ANGLE
 4000K CCT



DATE									
PROJECT NAME									
TYPE									
QTY									
ORDERING CODE	AE-IL-TR						-		SS

ACCESSORIES

Ordered separately

EMERGENCY BACK-UP BATTERY AE-IL-TR-EM



60 minutes emergency back-up kit

LENS AE-IL-TR-LENS



Replacement polycarbonate lens

WIRE GUARD AE-IL-TR-WG



Protective wire guard

MOTION SENSOR AE-IL-TR-MS-PIRS



PIR motion sensor

DATE							
PROJECT NAME							
TYPE							
QTY							
ORDERING CODE	AE-IL-TR				-		SS

ACCESSORIES (Continued)

Ordered separately, field installed

EMERGENCY LED DRIVER (BLD-UM60D/R-YYY)

BLD-UM60D/R-YYY

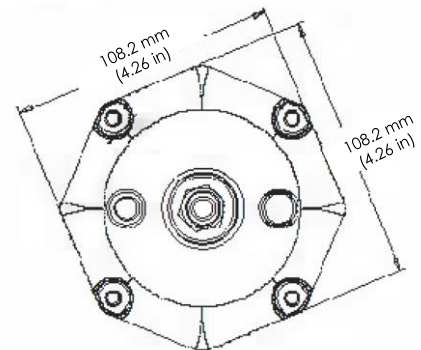
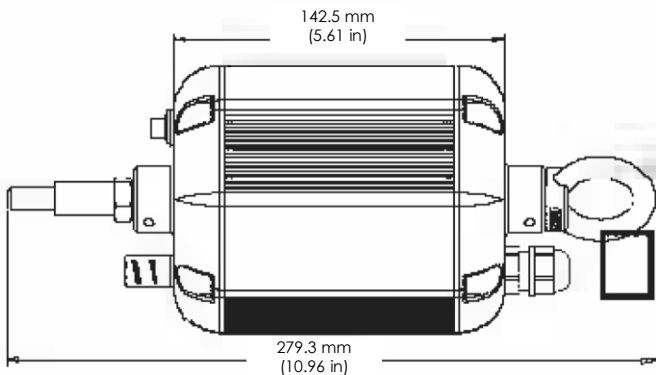
OUTPUT POWER : 60 WATTS



- Easy Wiring
- Certified For CA Title 20
- Constant Power Performance

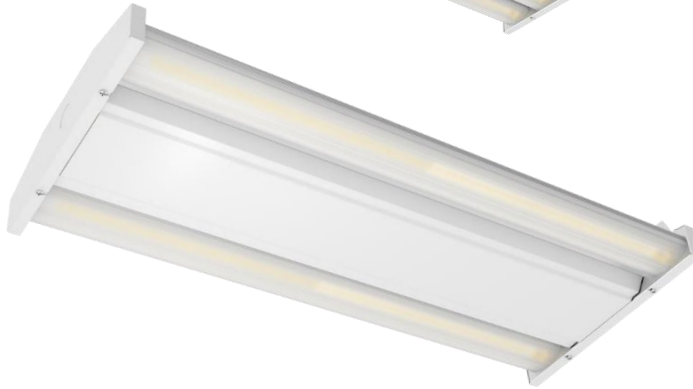
BLD-UMXXX-YYY series LED Emergency Driver is UL listed for field and factory installation that allows the same LED fixture to be used for both normal and emergency operation. In the event of a power failure, the emergency driver switches to emergency mode and operates the fixture for to 90 minutes. The unit contains a battery, charge, and converter circuit in a single enclosure. This module will operate a LED array load at 30-60W with constant power at a rated output voltage of 170VDC. The constant power design of BLD-UMXXX-YYY maintains the output wattage to the LED array, providing consistent illumination for the entire emergency runtime. Ideal for use with most 0-10V dimmable indoor industrial LED lighting fixtures, such as LED flat panel, troffer, and suspension mounting UFOs lights, etc.

DIMENSIONS (inches and mm)



DATE							
PROJECT NAME							
TYPE							
QTY							
ORDERING CODE	AE-IL-TR					-	SS

OVERVIEW



2 ft 4 pcs



4 ft 2 pcs

FLEXIBILITY

Easy toolless entry access to driver and internal components allows for easy installation and maintenance.

ACCESSORIES

Accessories available for purchase with fixture such as wire guards, motion sensors, replacement lenses.

MULTIPLE SIZES

Available 2 and 4FT lengths.

POWER OPTIONS

Input voltage ranging up to 480V with lumens packages from 75 to 400 watts and up to 60,000 lumens.