

TRON

OUTDOOR LED LIGHT

Round Canopy Light

The Tron outdoor luminaire is a durable, customizable lighting solution designed for parking garages. It offers adjustable power and color temperature options, with a 150° beam angle and high-reflectivity reflectors for efficient illumination. Its rugged design ensures it can withstand outdoor conditions.

Applications: Parking Garages | Building Entrance | Storage Facility | Loading Dock



	DATE	QTY	ACC. QTY	TYPE
PROJECT				
PN				
ACCESSORY PN				
NOTES				



DYNAMIC MENU

Order Information	Page 2
Dimensions	Page 2
Accessories	Page 4
Photometric Data	Page 7

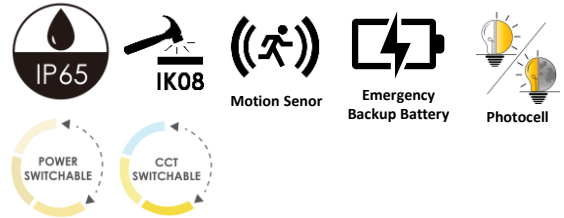
[Install Instruction link](#)

SPECIFICATIONS

Input Voltage	120-347V
Power Factor	>0.9
Total Harmonic Distortion	<20%
Dimming	0-10V dimming
CRI	80 CRI
CCT	<div style="display: flex; gap: 10px;"> <div style="border: 1px solid black; border-radius: 50%; padding: 2px 5px;">30K</div> <div style="border: 1px solid black; border-radius: 50%; padding: 2px 5px;">40K</div> <div style="border: 1px solid black; border-radius: 50%; padding: 2px 5px;">50K</div> </div>
Efficacy	~120 lm/W
Power	45/60/80W
Ambient Temperature Range	-40°C to 45°C
Mounting Options	Surface Mount Pendant mount U-bracket mount
Controls	Motion Sensor Photocell 8W EM unit
Protection	IP65; suitable for wet locations IK08; impact resistance
Finish	White Bronze
Distribution	155°



PRODUCT FEATURES



PRODUCT CERTIFICATIONS



Design Lights Consortium® (DLC) qualified product. Not all versions of this product may be DLC qualified. Please check the DLC Qualified Products List at www.designlights.org/QPL to confirm which versions are qualified" [page 4](#)

SYSTEM WARRANTY – 5 YEARS

Eralux will warrant defective drivers, LEDs and boards for 5 years from the date of purchase. This warranty is valid only if the fixture is installed and used as per installation guides and specifications. If a defect is present, Eralux will send drivers and boards at no fee with a thorough replacement instructions along with instructions on the return of the defective parts back to Eralux.

LUMEN MAINTENANCE – L70 at 50,000 hours

Rated for 70% initial lumen output at 50,000 hours of operation, operated at 25°C ambient temperature; per guidelines published by the Illuminating Engineering Society (IES).

OUTDOOR LED LIGHT

Round Canopy Light



ORDERING GUIDE

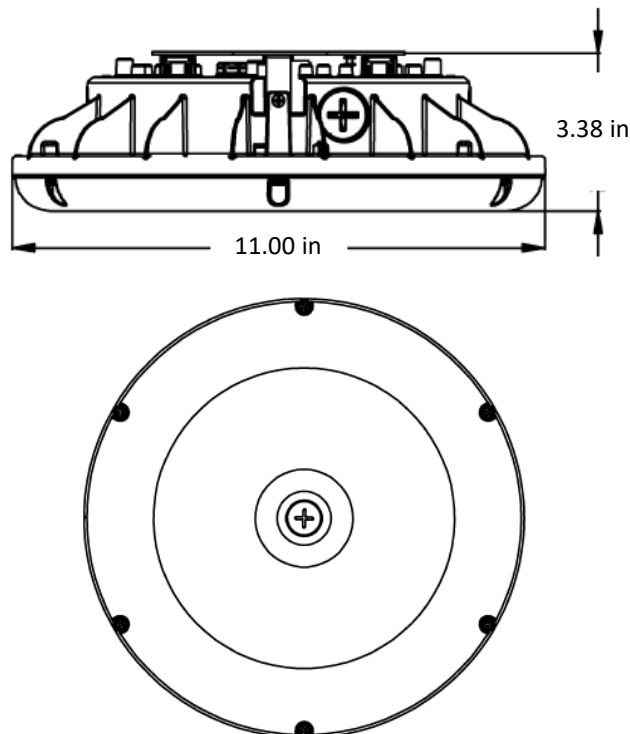
AE-OD-TR	-80W	-RG-H	-MV	-TCP			
AE-OD-TR ERALUX TRON Outdoor Canopy light fixture	-80W 45/60/80W 5,400/7,200/9,600 lm	-RG-H Round canopy with high efficiency	-MV Input voltage CA 120-347V	-TCP Switchable 3000K/4000K/5000K	[BLANK] 0-10V dimming -MS Motion sensor -P Photocell -EM 8W Emergency battery	[BLANK] Surface mount, or pendant mount by a pole ¹ -U U-bracket mounting	-BZ Bronze powder coat -WH White powder coat
Fixture Family	Power	Efficiency	Control	CCT	Control	Mounting	Finish

NOTES

1. Pole is provided by others.

DIMENSION - FIXTURE

AE-OD-TR-80W-RG-H-MV-TCP



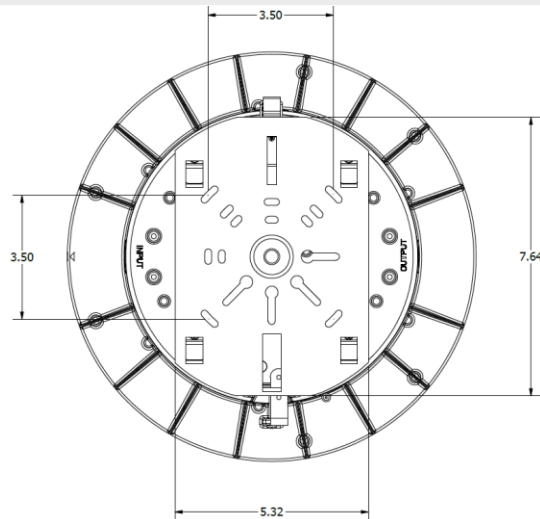
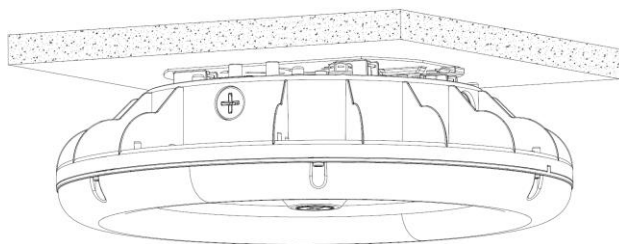
OUTDOOR LED LIGHT

Round Canopy Light

DIMENSION – MOUNTING OPTION

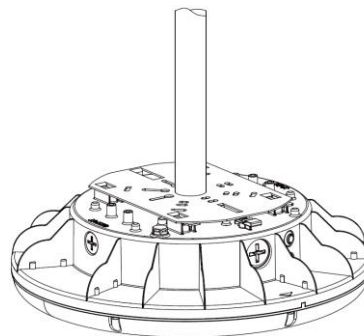
SURFACE MOUNT

Can be mount on ceiling or a wall.
Screw position are shown on the right, and the dimensions are in inches.



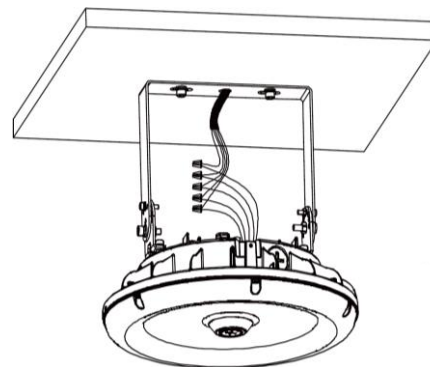
PENDANT MOUNT

Can be suspended using a pole through a 3/4 inch NPT.



U-MOUNTING





Can be mounted using U-bracket.
The U-bracket can be adjusted to any desirable angle.
U-Bracket is needed for installation.



OUTDOOR LED LIGHT

Round Canopy Light

ACCESSORIES

PART NUMBER	DESCRIPTION	PICTURE
AE-IL-SB2-CA-MSKIT	Microwave motion sensor	
AE-IL-SB2-CA-REMOTE-CTRL	Remote control for the microwave motion sensor	
AE-WP-PHOTOCELL-CA	Photocell and daylight harvesting sensor 12V input voltage	
AE-OD-TR-U-BRACKET-BZ AE-OD-TR-U-BRACKET-WH AE-OD-TR-U-BRACKET-BK	U-bracket mounting bronze finish U-bracket mounting white finish U-bracket mounting black finish	

DLC MODELS



DLC MODEL	PRODUCT ID
AE-OD-TR-80W-RG-H-MV-TCP-[Blank,P,MS]-[BZ,BK,WH]	S-W18QRK

LUMENS AT DIFFERENT CCT

ITEM NUMBER	POWER	INPUT VOLATGE	30K CCT	40K CCT	50K CCT
AE-OD-TR-80W-RG-H-MV-TCP-XX-ZZ	45W	120-347V	6324.7 lms	6797.6 lms	6764.7 lms
	60W		8252.2 lms	8923.1 lms	8732.5 lms
	80W		10507 lms	11337 lms	10972 lms

OUTDOOR LED LIGHT

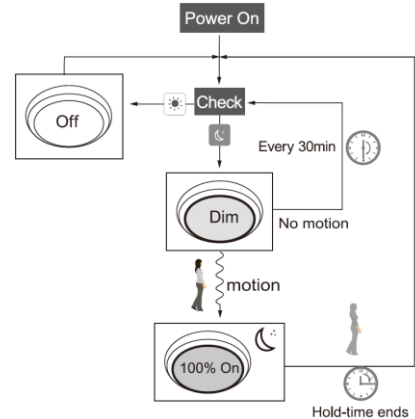
Round Canopy Light

MOTION SENSOR

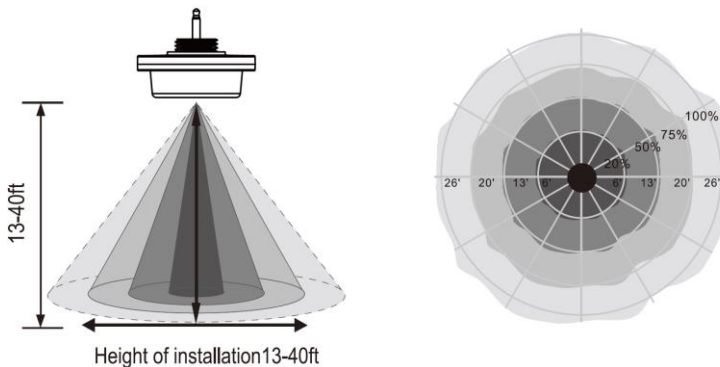
CODE	DESCRIPTION	PICTURE
AE-IL-SB2-CA-MSKIT	Plug in low-voltage microwave motion sensor	
AE-IL-SB2-CA-REMOTE-CTRL	Remote control for the motion sensor	

Factory mode

Factory Default Setting	
Sensitivity	100%
Hold on time	5 min
Daylight Sensor	ON
Dimming level	30%
Dimming time	30 min



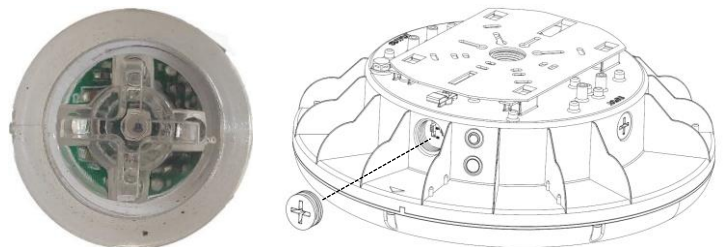
Area Coverage



PHOTOCELL

PHOTOCELL

12V photocell available, can be placed on the side of the fixture, as shown in the image.



OUTDOOR LED LIGHT

Round Canopy Light

EMERGENCY LED DRIVER (Integrated)

EMQ- 08300DO- HY

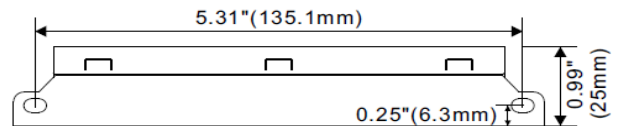
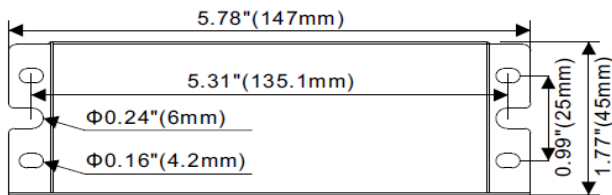
OUTPUT POWER : 8W

SPECIFICATION	
Input voltage	100-347Vac
Input current	100mA max
Recharge time	24Hrs
Discharge time	1.5H
Emergency power	8W
Installation	Integrated inside fixture



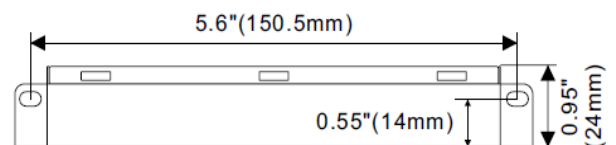
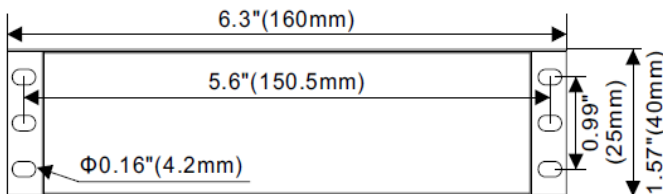
Introducing a UL-listed emergency lighting solution for the US and Canada, featuring high output voltage, self-testing, and overcharge/discharge protection. Compliant with UL924 and CSA C22.2 NO.141, it's suitable for field or factory installation and integrates seamlessly with LED drivers. With low energy consumption and Title20 compliance, it offers 8W emergency power options, a quick 24-hour recharge time, and 1.5-hour discharge time.

DRIVER DIMENSIONS



BATTERY DIMENSIONS

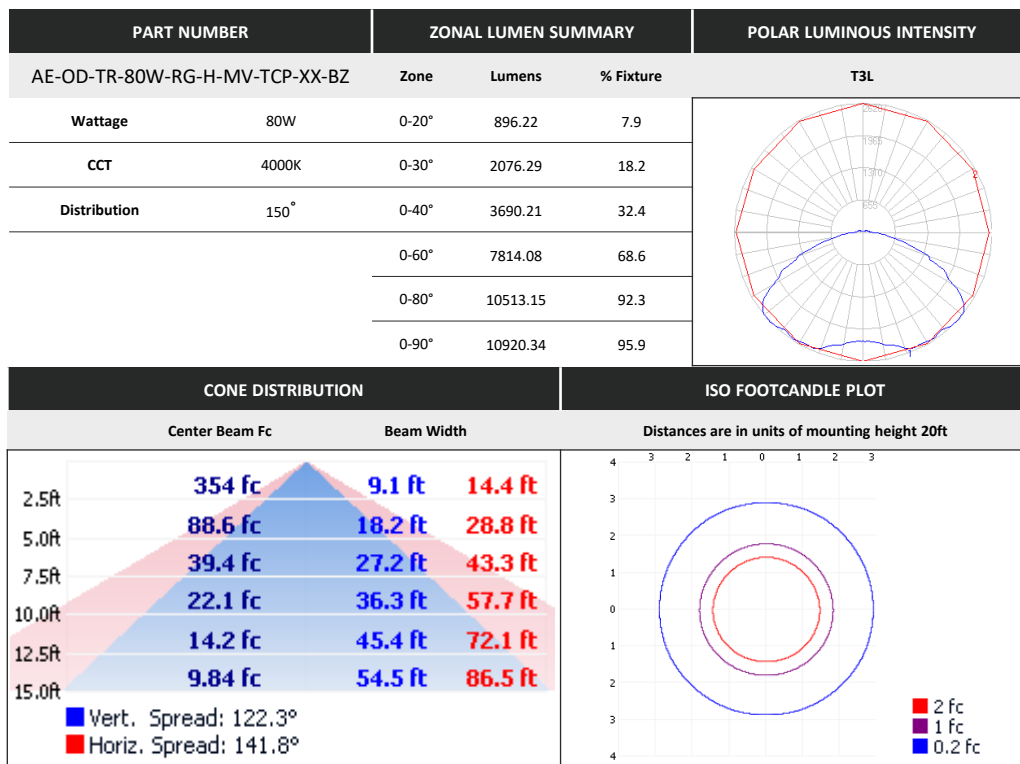
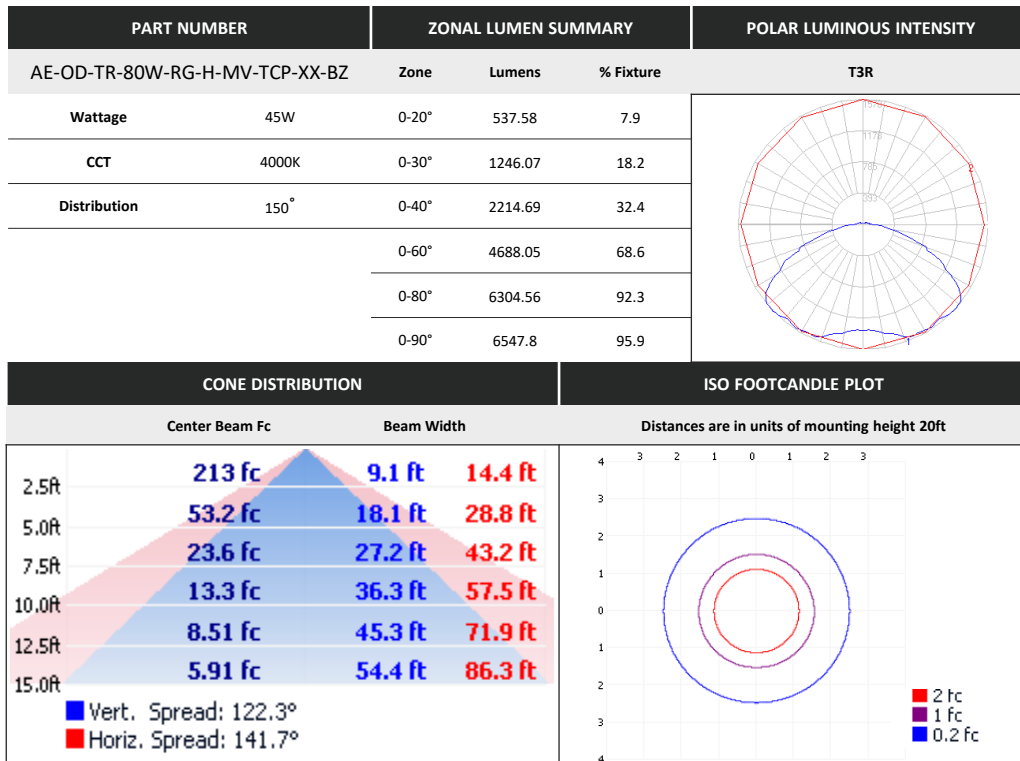
8W VERSION



OUTDOOR LED LIGHT

Round Canopy Light

PHOTOMETRIC DATA



OUTDOOR LED LIGHT

Round Canopy Light

OVERVIEW



Innovative Design

- Aluminum die cast housing and fins for better heat dissipation
- Highly robust polycarbonate and high transmittance lens.



Multiple Options

- Power tunable for 40/60/80W
- CCT switchable 30/40/50K
- Bronze and white finishes



Accessories

- 120-347V photocell
- 8W Emergency Battery Back up
- Motion sensor



Emergency Backup Battery



Motion Sensor



Photocell



Mountings Available

- Pole Mount
- Surface mount
- U-bracket mount



Protection



- Protected against dust ingress.
- Protected against water jets
- Impact resistant



Tests And Certifications



LOOK FOR THE UL MARK FOR DETAILS

