

OUTDOOR LED LIGHT

Wedge Wall Pack | Power & CCT Switchable

The TZ series stands out among wall packs with its slim, "dark sky friendly" design that conserves space while enhancing aesthetics. Its adjustable installation angle allows for customized lighting direction. Featuring Type 3 optical lenses and an IP wet location rating, this compact fixture is perfect for illuminating pathways, entrances, and building facades in residential areas, all while minimizing light pollution.

Applications: Building facade | Pathway | Entrance

	DATE	QTY	ACC. QTY	TYPE
PROJECT				
PN				
ACCESSORY PN				
NOTES				

DYNAMIC MENU

Order Information	Page 2
Dimensions	Page 3
Photometric Data	Page 4

[Install Instruction link](#)

SPECIFICATIONS

Input Voltage	120-277V
Power Factor	>0.9
Total Harmonic Distortion	<20%
Dimming	0-10V
CRI	70 CRI
CCT	<div style="display: flex; gap: 10px;"> <div style="border: 1px solid black; border-radius: 50%; width: 20px; height: 20px; background-color: #fff9c4; display: flex; align-items: center; justify-content: center;">30K</div> <div style="border: 1px solid black; border-radius: 50%; width: 20px; height: 20px; background-color: #bbdefb; display: flex; align-items: center; justify-content: center;">40K</div> </div>
Efficacy	~140 lm/W
Power (W)	10/15/22.5/ 30
	12/ 20 /30 /40
	21/35/53/70
Ambient Temperature Range	-30°C to 40°C
Mounting Options	Wall Mount
Fixture Finish	Black Bronze
Controls	Photocell
Protection	IP656 IK08
Distribution	Type 3
lens	Polycarbonate lens



PRODUCT FEATURES



PRODUCT CERTIFICATIONS



SYSTEM WARRANTY – 5 YEARS

Eralux will warrant defective drivers, LEDs and boards for 5 years from the date of purchase. This warranty is valid only if the fixture is installed and used as per installation guides and specifications. If a defect is present, Eralux will send drivers and boards at no fee with a thorough replacement instructions along with instructions on the return of the defective parts back to Eralux.

LUMEN MAINTENANCE – L90 at 42,000 hours

Rated for 90% initial lumen output at 42,000 hours of operation, operated at 25°C ambient temperature; per guidelines published by the Illuminating Engineering Society (IES).

OUTDOOR LED LIGHT

Wedge Wall Pack | Power & CCT Switchable



ORDERING GUIDE

AE-WP-TZ		-70	SC1	-UV		
AE-WP-TZ ERALUX TZ Series Outdoor wedge Wall pack	-30 10/15/22.5/30W 1,400/2,100/3,150/4,200 lm -40 12/20/30/40W 1,680/2,800/5,600 lm -70 21/35/53/70W 2,940/4,900/7,420/9,800 lm	-70 70 CRI	SC1 3000/4000K Switchable	-UV 120-277 V	-BK Black -BZ Bronze	-B No Control -P Photocell
Fixture Family	Power	CRI	CCT	Voltage	Finish	Controls



ORDERING GUIDE (DARK SKY)

AE-WP-TZ		-70	30	-UV		
AE-WP-TZ ERALUX TZ Series Outdoor wedge Wall pack ¹	-30 30W 3,600 lm -70 70W 8,400 lm	-70 70 CRI	30 3000K	-UV 120-277 V	-BK Black -BZ Bronze	-D 0-10V Dimming -P Photocell
Fixture Family	Power	CRI	CCT	Voltage	Finish	Controls

NOTES

- Single Power 30 or 70W.
- Single CCT at 3000K

Dark Sky Features

Restrict the amount of upward-Directed light

Reduce Glare

Reduce Light Pollution



**DARKSKY
APPROVED**
Reduces light pollution
Certified by DarkSky.org

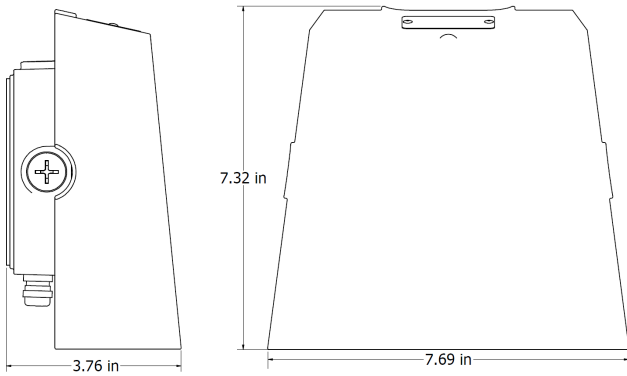
OUTDOOR LED LIGHT

Wedge Wall Pack | Power & CCT Switchable

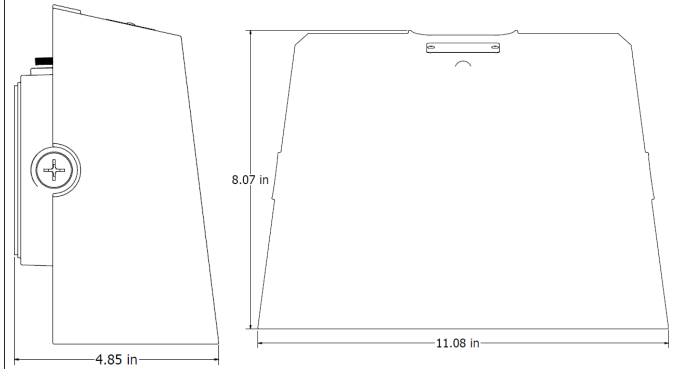
DIMENSIONS

AE-WP-TZ-XX-70-SC1-UV-XX-X

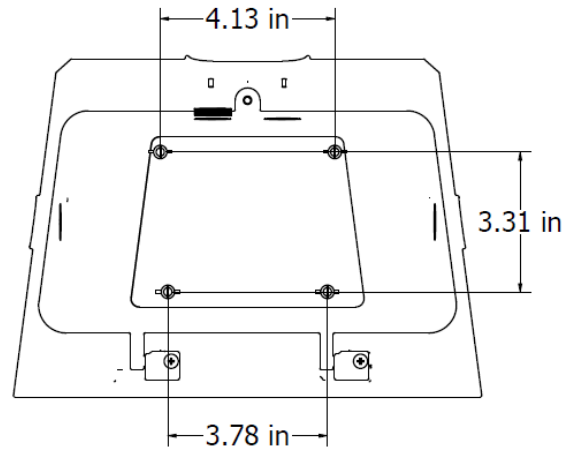
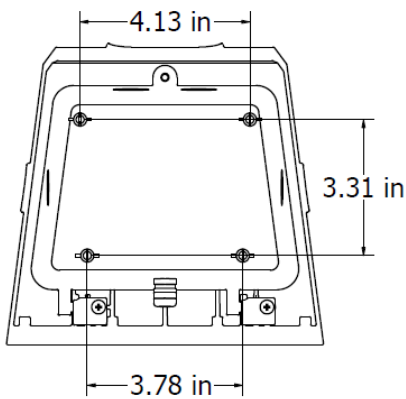
AE-WP-TZ-30



AE-WP-TZ-40 & AE-WP-TZ-70



Back Plate Installation



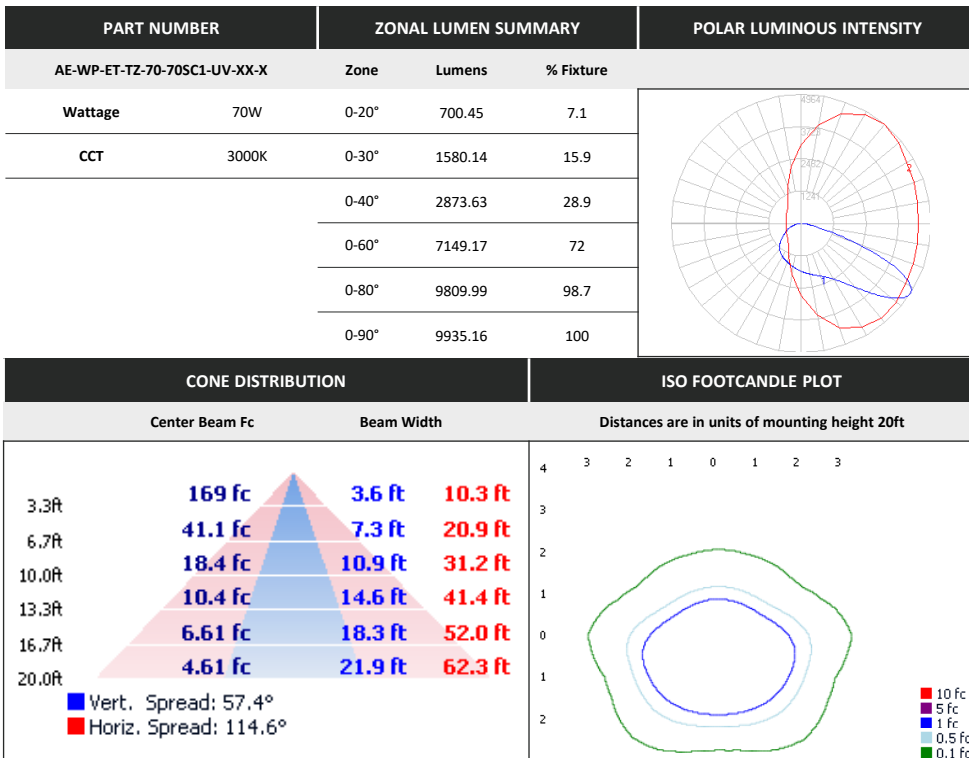
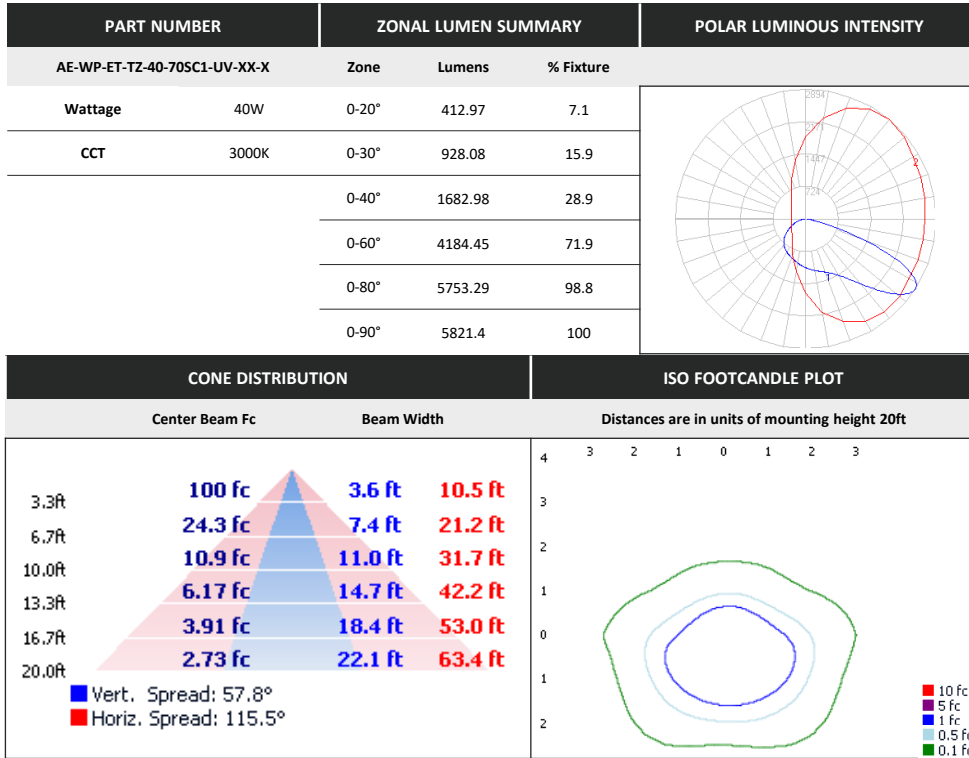
B-U-G RATING

POWER	CCT	DISTRIBUTION	B-U-G
80W	30K	T2	B3-U3-G3
		T3	B3-U3-G2
		T4	B3-U3-G2
	40K	T2	B3-U3-G3
		T3	B3-U3-G3
		T4	B3-U3-G3
		T2	B3-U3-G3
	50K	T3	B3-U3-G3
		T4	B3-U3-G3
		T4	B3-U3-G3

OUTDOOR LED LIGHT

Wedge Wall Pack | Power & CCT Switchable

PHOTOMETRIC DATA



OUTDOOR LED LIGHT

Wedge Wall Pack | Power & CCT Switchable

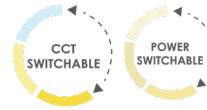
OVERVIEW

 **Innovative Design**

- Aluminum die cast housing and fins for better heat dissipation
- Highly robust polycarbonate and high transmittance lens.

 **Multiple Options**

- Multiple CCT switchable options to select from
- 12 different power setting options
- Black & bronze finishes.



Accessories

- 120-347V photocell



Photocell

 **Dark Sky**

- Dark sky compliance with 3000K CCT and black finish
- Limited upward-directed light



DARKSKY APPROVED
Reduces light pollution
Certified by DarkSky.org



Mounting Available

- Wall mount



Tests And Certifications

