

# UNA

LED SINGLE HEAD  
DOWNLIGHT



eralux®



The UNA single-head provides an elegance and flexibility that is set to provide the ultimate lighting environments. The UNA series features a light engines ranging from 10W to 25W. This fixture also comes standard with 0-10V as well as phase dimming enabling the electrician freedom of choice for controls. Further, the spring mechanisms enables a fast installation.

DATE	
PROJECT NAME	
TYPE	
QTY	
ORDERING CODE	AE-DL-UNA- - - -UV - -X

## OPERATING & ELECTRICAL

INPUT VOLTAGE	120-277 Vac
POWER FACTOR	>0.9
TOTAL HARMONIC DISTORTION (THD)	<20%

## PERFORMANCE

LUMENS PER WATT	80 LPW at 90CRI @ 3000K
BEAM ANGLE	15°, 24°, 38°, 55°
DIMMING	0-10V external dimming (Dim down to 10%) Triac Dual dimming
POWER	10W 15W 20W 25W

## MECHANICAL & HOUSING

HOUSING	Brushed metal
LENS	PMMA and high transmittance lens
FINISH	Brushed metal providing an elegant finish offered in white and black
POWER SUPPLY	Factory wired electronic LED driver
LED BOARD	COB

## APPLICATION CONDITION

AMBIENT TEMPERATURE RANGE	-10 °C to 40°C
PROTECTION	IP20

## COMPATIBLE MOUNTING

**MOUNTING** Gypse and T-grid with frame kit

## WARRANTY

### SYSTEM WARRANTY – 5 YEARS

Eralux will warrant defective drivers, LEDs and boards for 5 years from the date of purchase. This warranty is valid only if the fixture is installed and used as per installation guides and specifications. If a defect is present, Eralux will send drivers and boards at no fee with a thorough replacement instructions along with instructions on the return of the defective parts back to Eralux.

### LUMEN MAINTENANCE – L70 at 50,000 hours

Rated for 70% initial lumen output at 50,000 hours of operation, operated at 25°C ambient temperature; per guidelines published by the Illuminating Engineering Society (IES).

eralux®  
**UNA**

LED SINGLE HEAD

DOWNLIGHT

DATE	
PROJECT NAME	
<b>TYPE</b>	
QTY	
ORDERING CODE	AE-DL-UNA- - - -UV - -X

**ORDERING GUIDE**

EXAMPLE: AE-DL-UNA-4-35-24-UV-20W-X

FIXTURE FAMILY	DIMENSION	SHAPE	CCT	BEAM ANGLE	INPUT VOLTAGE	POWER	CONTR OLS	FINISH
<b>AE-DL-UNA</b>	-		-	-	<b>-UV</b>	-	<b>-X</b>	-
<b>AE-DL-UNA</b> UNA Series	<b>-3</b> 3 inches Comes with AE-DL-KN-3-SA5	<b>[LEAVE BLANK]</b> Square	<b>-30</b> 3000K CCT	<b>-15</b> 15° Beam angle	<b>-UV</b> 120-277 V	<b>-10W</b> 10 watts 800 lumens	<b>-X</b> Dual dimmi ng	<b>[LEAVE BLANK]</b> White trim
			<b>-35</b> 3500K CCT	<b>-24</b> 24° Beam angle		<b>-15W</b> 15 watts 1,200 lumens		
	<b>-4</b> 4 inches Comes with AE-DL-KN-4-SA3	<b>R</b> Round	<b>-38</b> 38° Beam angle	<b>-20W</b> 20 watts 1,800 lumens		<b>-BKT</b> Black trim		
			<b>-40</b> 4000K CCT	<b>-55</b> 55° Beam angle				<b>-25W</b> 25 watts 2,200 lumens

**ACCESSORIES**

Ordered separately

EXAMPLE: AE-DL-FRKT-UNA-3

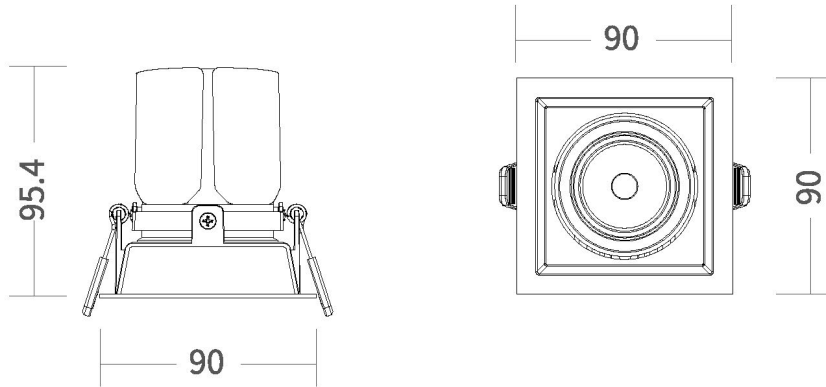
FIXTURE FAMILY	SERIES	SIZE
<b>AE-DL-FRKT</b>	<b>-UNA</b>	-
<b>AE-DL-FRKT</b> ERALUX Frame kit	<b>-UNA</b> DUA series	<b>-3</b> Compatible with 3 inches DUA 165mmx80mm Cutout
		<b>-4</b> Compatible with 4 inches DUA 205mmx95mm Cutout

DATE	
PROJECT NAME	
<b>TYPE</b>	
QTY	
ORDERING CODE	AE-DL-UNA- - - -UV - -X

**PRODUCT DIMENSIONS (in mm)**

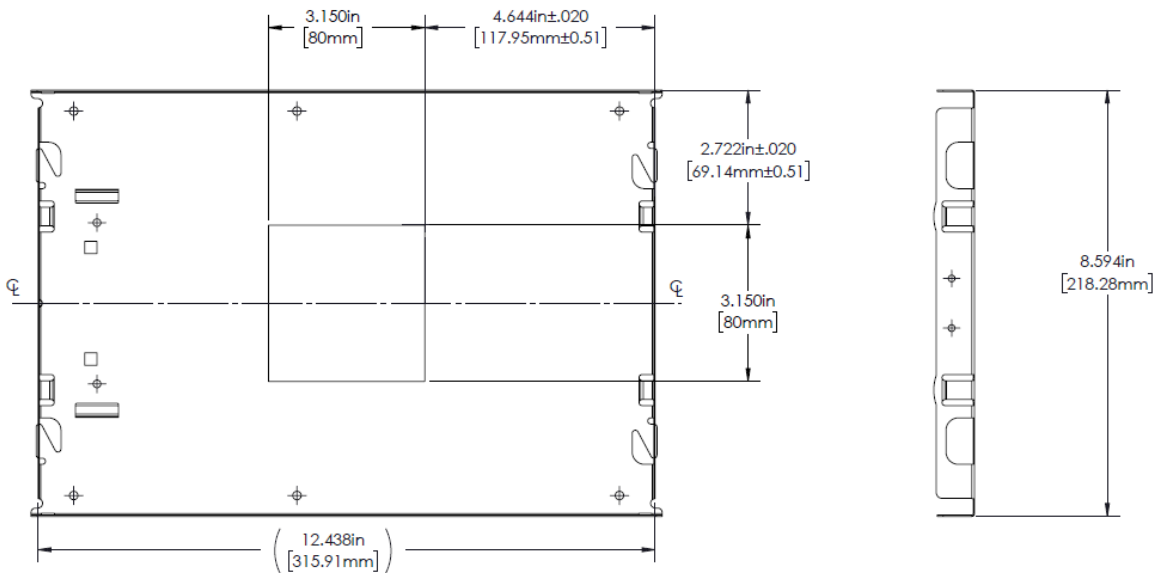
AE-DL-UNA-3

Cut out: 80x80mm



AE-DL-FRKT-UNA-3

Ordered separately



eralux®  
**UNA**

LED SINGLE HEAD

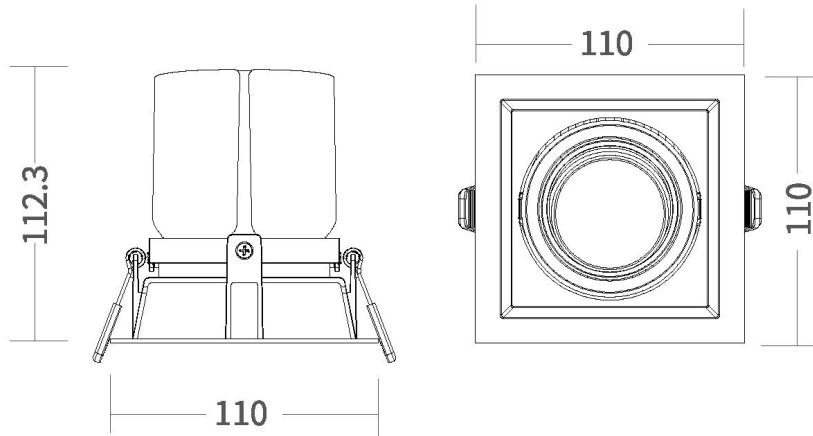
DOWNLIGHT

DATE	
PROJECT NAME	
<b>TYPE</b>	
QTY	
ORDERING CODE	AE-DL-UNA- - - -UV - -X

**PRODUCT DIMENSIONS (in mm)**

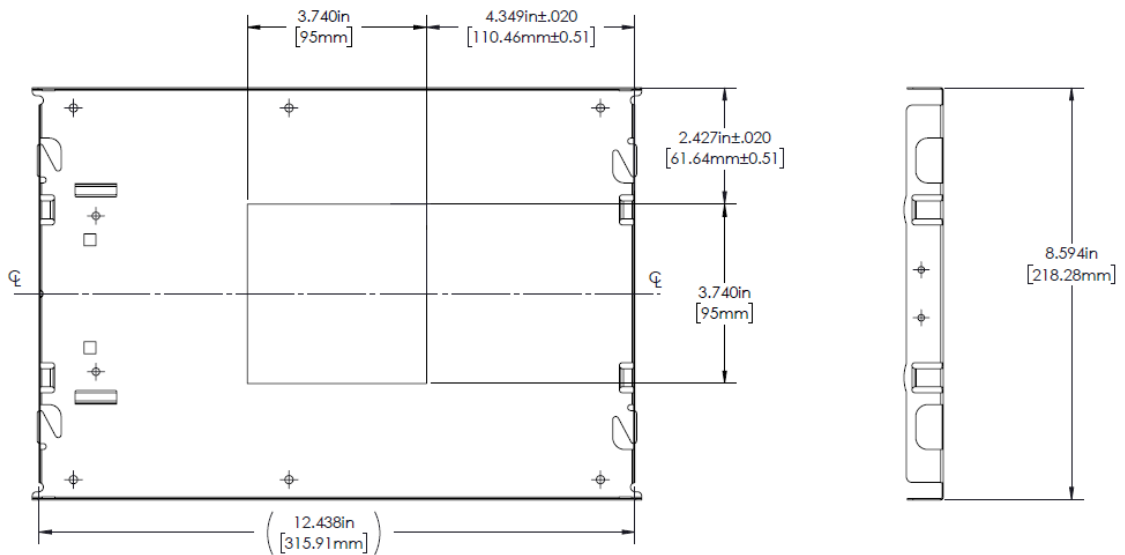
AE-DL-UNA-4

Cut out: 95x95mm



AE-DL-FRKT-UNA-4

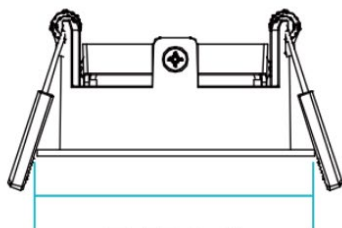
Ordered Separately



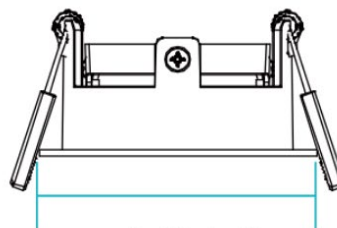
DATE					
PROJECT NAME					
<b>TYPE</b>					
QTY					
ORDERING CODE	AE-DL-UNA-	-	-	-UV	-X

**PRODUCT DIMENSIONS (in mm/inches)**

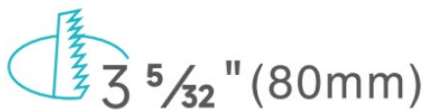
Cut out: 95x95mm



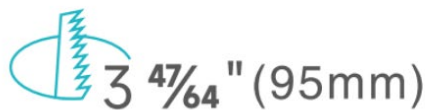
$3 \frac{35}{64}''$   
 (90mm)



$4 \frac{21}{64}''$   
 (110mm)



$3 \frac{5}{32}''$  (80mm)



$3 \frac{47}{64}''$  (95mm)

AE-DL-UNA-3R

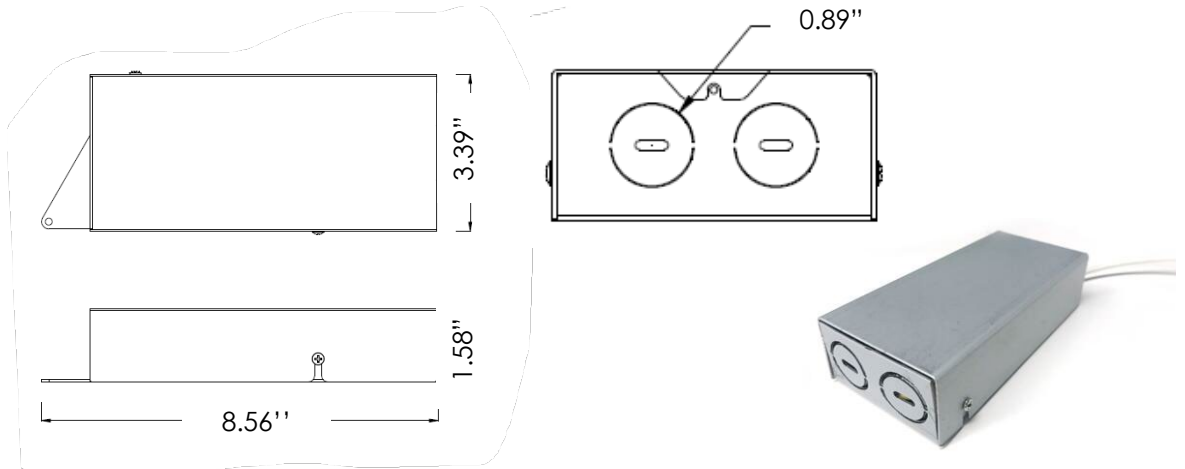
AE-DL-UNA-4R



DATE					
PROJECT NAME					
TYPE					
QTY					
ORDERING CODE	AE-DL-UNA-	-	-	-UV	-X

## DIMENSIONS (in mm)

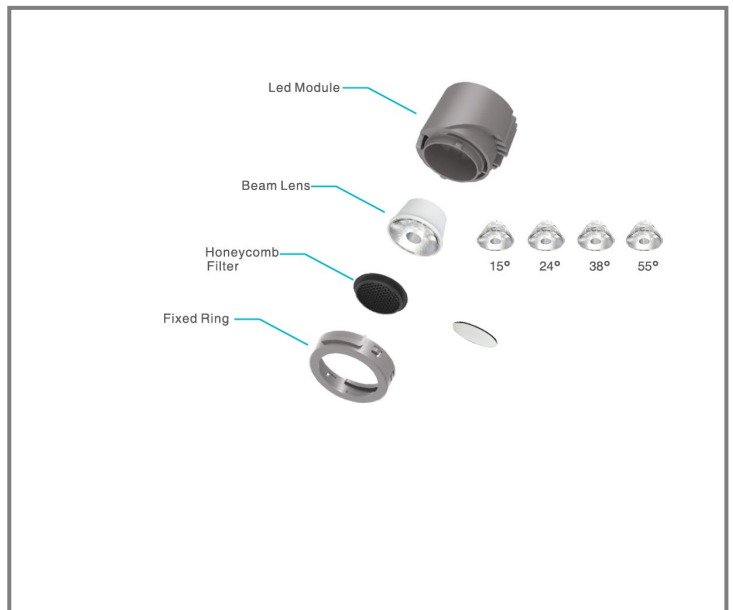
Accompanied Junction Box  
2 Per fixture



## PRODUCT ASSEMBLY GUIDE



Modular LED Engine



DATE					
PROJECT NAME					
TYPE					
QTY					
ORDERING CODE	AE-DL-UNA-	-	-	-UV	-X

## ACCESSORIES

Ordered separately, field installed

## NEW CONSTRUCTION UNIVERSAL FRAME KIT

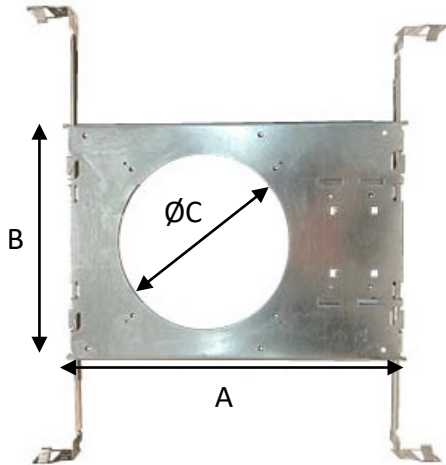


**MATERIAL** 22-gauge galvanized steel housing

**MOUNTING** T-bar or drywall ceilings  
Up to 1.5" thick

**Ordering Code** AE-DL-FRKT-03-UNV (round)  
AE-DL-FRKT-04U-UNV (round)  
AE-DL-FRKT-UNA-03-UNV (square)  
AE-DL-FRKT-UNA-04-UNV (square)

## FRAME KIT DIMENSIONS



DIMENSIONS	
A	12.75" [324 mm]
4" Round B	8.63" [219 mm]
C	Ø 4.50" [114 mm]

# eralux® UNA

LED SINGLE HEAD

DOWNLIGHT

DATE	
PROJECT NAME	
TYPE	
QTY	
ORDERING CODE	AE-DL-UNA- - - -UV - -X

## LUMEN ESTIMATE

Lumen output varies based on CCT and CRI. An estimate of lumen output of the various CCT/CRI combinations, use correction factors as per table below:

LUMEN ESTIMATE ADJUSTMENT FACTORS				
CCT	2700K	3000K	3500K	4000K
NORMAL (90CRI)	.94	1	1.02	1.03

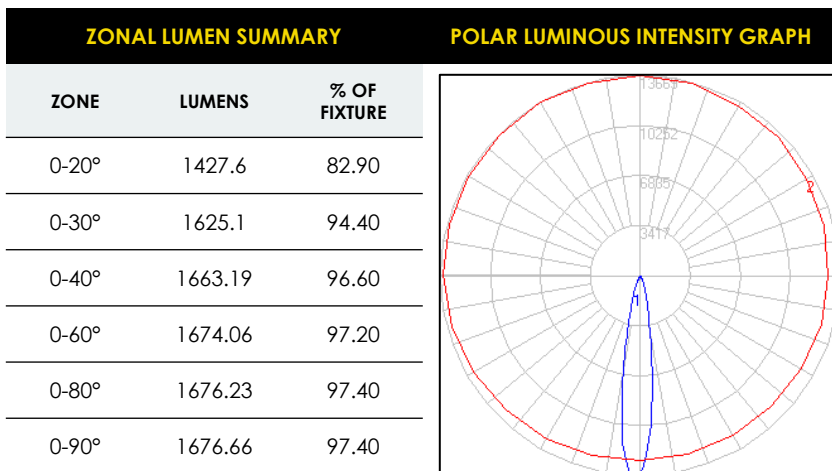
## PHOTOMETRIC DATA

AE-DL-UNA-4-30-15-UV-25W-X

4 inch

15° Beam angle

25 Watts

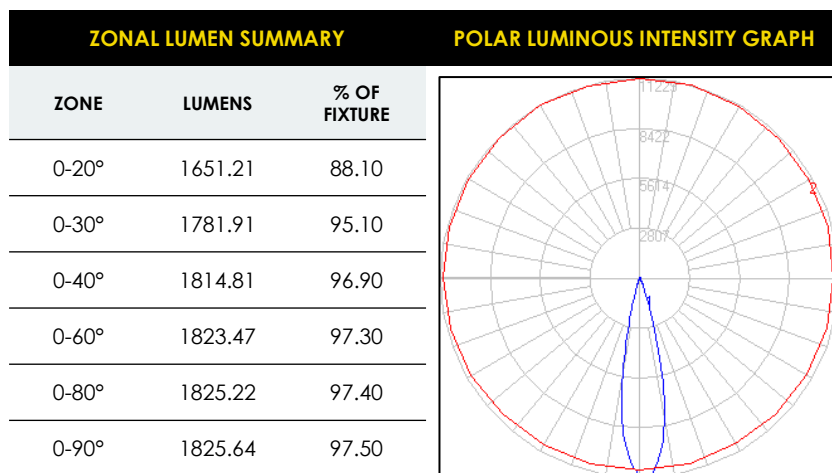


AE-DL-UNA-4-30-24-UV-25W-X

4 inch

24° Beam angle

25 Watts





DATE	
PROJECT NAME	
<b>TYPE</b>	
QTY	
ORDERING CODE	AE-DL-UNA- - - -UV - -X

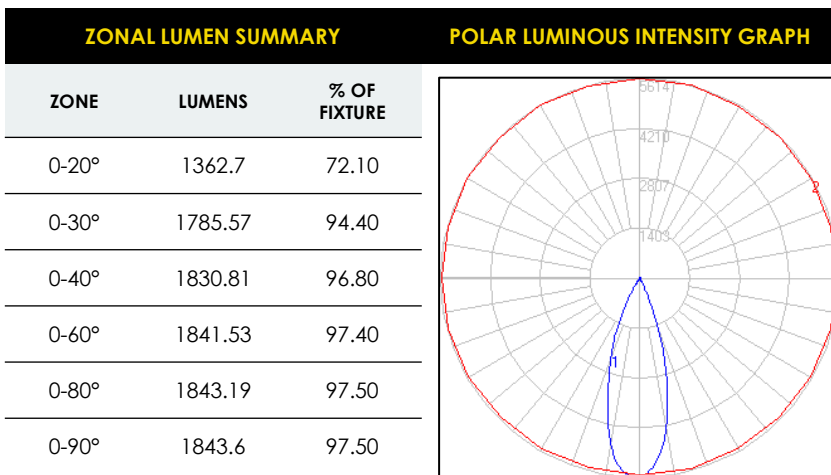
## PHOTOMETRIC DATA (CONTINUE)

AE-DL-UNA-4-30-38-UV-25W-X

4 inch

38° Beam angle

25 Watts

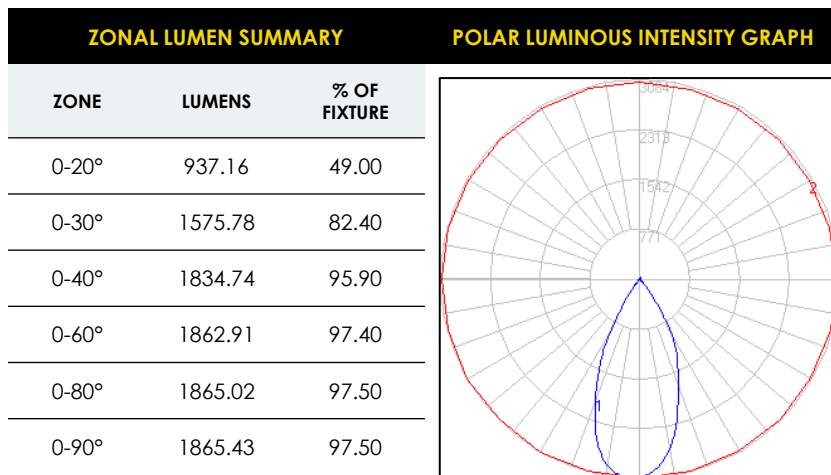


AE-DL-UNA-4-30-55-UV-25W-X

4 inch

55° Beam angle

25 Watts



DATE	
PROJECT NAME	
<b>TYPE</b>	
QTY	
ORDERING CODE	AE-DL-UNA- - - -UV - -X

## ACCESSORIES (Continued)

Ordered separately, field installed

### EMERGENCY LED DRIVER (BLD-HMXXD-YYY)

BLD-HM8D-YYY

OUTPUT POWER : 8 WATTS

BLD-HM25D-YYY

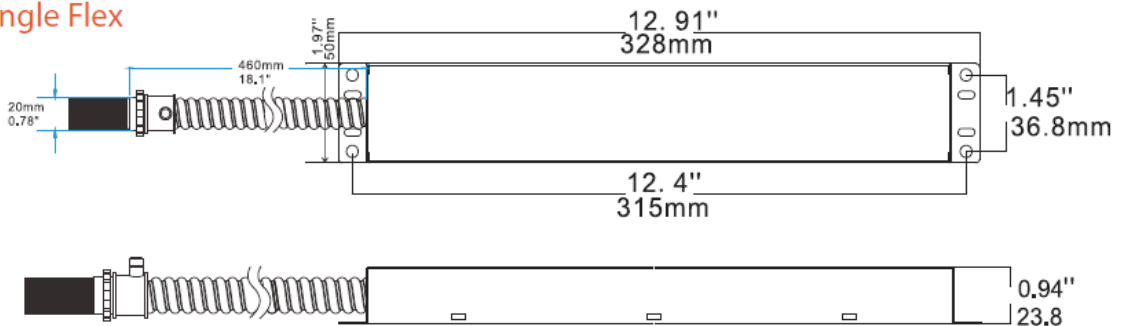
OUTPUT POWER : 25 WATTS



BLD-HMXXD-YYY series LED Emergency Driver is UL listed for field and factory installation that allows the same LED fixture to be used for both normal and emergency operation . In the event of a power failure , the emergency driver switches to emergency mode and operates the existing. Fixture to 90 minutes. The unit contains a battery , charge , and converter circuit in a single enclosure .This module will operate an LED array load at 6-25W with constant power at a rated output voltage of 170VDC. The constant power design of BLD-HMXXD-YYY maintains the output wattage to LED array, providing consistent illumination for entire emergency runtime. Ideal for use with most 0-10V dimmable indoor commercial LED lighting fixtures, such as LED flat panel, troffer, downlight and suspension mounting LED linear strip lights, etc.

### DIMENSIONS (inches and mm)

#### Single Flex



DATE					
PROJECT NAME					
TYPE					
QTY					
ORDERING CODE	AE-DL-UNA-	-	-	-UV	-X

## OVERVIEW



### **SUPER MODULAR DESIGN**

Unique super modular design making the assembly and disassembly process toolless and effortless. Lens changing and trim changing can be easily done in just one minute.

### **FLEXIBLE HEADS**

Limitless possibilities with the possibility to aim and adjust the heads in many directions to achieve the desired lighting experience.

### **ELECTRICALS**

Product comes either with 10W, 15W, 20W or or 25W package enabling profound adaptability to your ceiling requirements. Also comes standard with dual dimming such as 0-10V and phase dimming.

### **HIGH-END FIXTURE**

Radial engine shape conveniences wire arrangement and reduces engine weight without sacrificing aesthetics.