

UNA



LED COMMERCIAL DOWNLIGHT

Recessed Single Head Downlight | 3" & 4" Round & Square

The UNA is part of the multi-head family; single-head provides an elegance and flexibility that is set to provide the ultimate lighting environments. The UNA series features a light engines ranging from 10W to 25W. This fixture also comes standard with 0-10V as well as phase dimming enabling the electrician freedom of choice for controls. Additionally, the spring mechanisms allows for a fast and easy installation.

Applications: Art Galleries | Show Rooms | Retail Stores | Hospitality | Office.

	DATE	QTY	ACC. QTY	TYPE
PROJECT				
PN				
ACCESSORY PN				
NOTES				



DYNAMIC MENU

Order Information	Page 2
Dimensions	Page 3
Accessories	Page 4
Photometric Data	Page 7

[Install Instruction link](#)

SPECIFICATIONS

Input Voltage	120-277V				
Power Factor	>0.9				
Total Harmonic Distortion	<20%				
Dimming Page 6	Dual Dimming TRIAC & 0-10V dimming (down 10%)				
CRI	90 CRI				
CCT	<div style="display: flex; gap: 10px;"> <div style="border: 1px solid black; border-radius: 50%; width: 20px; height: 20px; background-color: #fff9c4; display: flex; align-items: center; justify-content: center;">30K</div> <div style="border: 1px solid black; border-radius: 50%; width: 20px; height: 20px; background-color: #fff9c4; display: flex; align-items: center; justify-content: center;">35K</div> <div style="border: 1px solid black; border-radius: 50%; width: 20px; height: 20px; background-color: #fff9c4; display: flex; align-items: center; justify-content: center;">40K</div> </div>				
Efficacy	~80 LPW				
Size and Power	<table border="1" style="width: 100%;"> <tr> <td>3"</td> <td>10W 15W</td> </tr> <tr> <td>4"</td> <td>20W 25W</td> </tr> </table>	3"	10W 15W	4"	20W 25W
3"	10W 15W				
4"	20W 25W				
Ambient Temperature Range	-10°C to 40°C				
Mounting Options	New construction Retrofit Recessed				
Trim Finish	<div style="display: flex; gap: 10px;"> <div style="border: 1px solid black; border-radius: 50%; width: 20px; height: 20px; background-color: black;"></div> <div style="border: 1px solid black; border-radius: 50%; width: 20px; height: 20px; background-color: white;"></div> </div>				
Trim Shape	<div style="display: flex; gap: 10px;"> <div style="border: 2px solid black; width: 20px; height: 20px;"></div> <div style="border: 2px solid black; border-radius: 50%; width: 20px; height: 20px;"></div> </div>				
Optical Accessories	Honeycomb louver Soft lens				
Distribution	<div style="display: flex; justify-content: space-around; align-items: center;"> <div style="text-align: center;"> <p>15°</p> </div> <div style="text-align: center;"> <p>24°</p> </div> <div style="text-align: center;"> <p>38°</p> </div> <div style="text-align: center;"> <p>55°</p> </div> </div>				



PRODUCT FEATURE



Optional
Emergency Backup Battery

PRODUCT CERTIFICATIONS



SYSTEM WARRANTY – 5 YEARS

Eralux will warrant defective drivers, LEDs and boards for 5 years from the date of purchase. This warranty is valid only if the fixture is installed and used as per installation guides and specifications. If a defect is present, Eralux will send drivers and boards at no fee with a thorough replacement instructions along with instructions on the return of the defective parts back to Eralux.

LUMEN MAINTENANCE – L70 at 60,000 hours

Rated for 70% initial lumen output at 60,000 hours of operation, operated at 25°C ambient temperature; per guidelines published by the Illuminating Engineering Society (IES).



LED COMMERCIAL DOWNLIGHT

Recessed Single Head Downlight | 3" & 4" Round & Square



ORDERING GUIDE

AE-DL-UNA					-UV		-X	
AE-DL-UNA ERALUX UNA Recessed downlight Single Head	-3¹ 3 Inch -4² 4 Inch	[Blank] Square -R Round	-30 3000K -35 3500K -40 4000K	-15 Narrow Flood 15° -24 Flood 24° -38 Wide Flood 38° -55 Very Wide flood 55°	-UV 120-277V	10W 10W 800lm 3-inch 15W 15W 1200lm 3-inch 20W 20W 1800lm 4-inch 25W 25W 2200lm 4-inch	-X Dual Dimming 0-10V & TRIAC	[Blank] White Trim -BKT Black Trim

Fixture Family	Size	Shape	CCT	Distribution	Input voltage	Power	Dimming	Finish
----------------	------	-------	-----	--------------	---------------	-------	---------	--------

- 3 inches Una is only available with -10W & -15W power
- 4 inches Una is only available with -20W & -25W power



ORDERING GUIDE – ACCESSORIES | IP | EMBB

AE-DL-FRKT	[BLANK]	-03	-UNV ¹
ERALUX FRAME KITS Downlights	Round frame -UNA Square frame	3 Inch -04 4 inch	

Fixture Family	Shape	SIZE	TYPE
----------------	-------	------	------

[BLANK] Standard IP20 AE-DL-UNA-IP44-KIT IP44
--

IP Rating

- Junction Box is not included. UNA SERIES comes with a junction box by default.

AE-DL-KN ERALUX DUA Recessed downlight	-3 3 Inch -4 4 Inch	-COMB Honeycomb louver -SOFTLENS
---	--	---

Fixture Family	SIZE	Accessory
----------------	------	-----------

[BLANK] No EMBB BLD-HM8D-YYY 8W emergency battery backup
--

EMBB

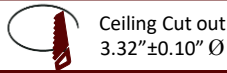
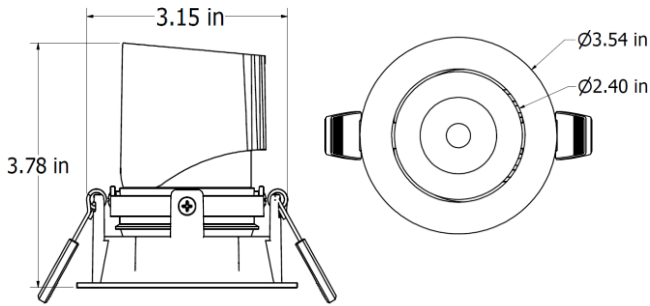
LED COMMERCIAL DOWNLIGHT

Recessed Single Head Downlight | 3" & 4" Round & Square

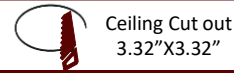
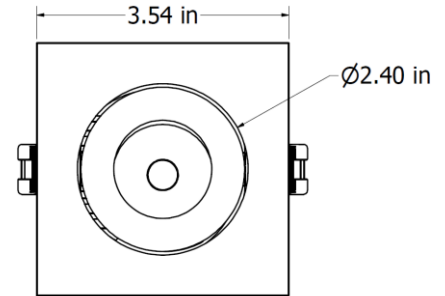
DIMENSIONS

AE-DL-UNA-3

Round

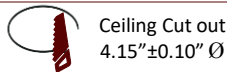
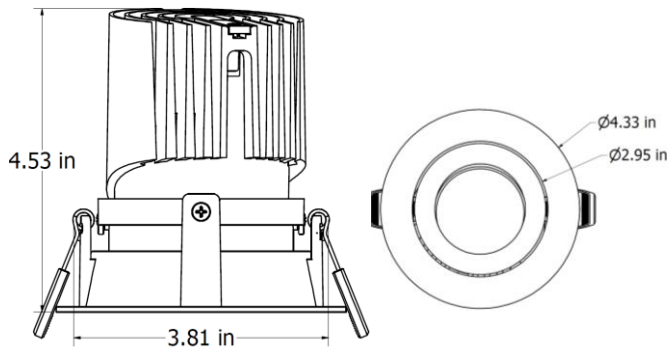


Square

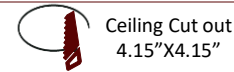
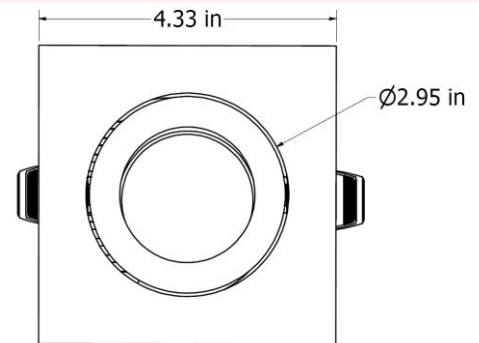


AE-DL-UNA-4

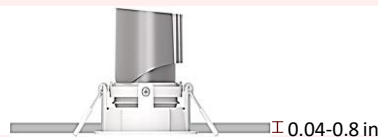
Round



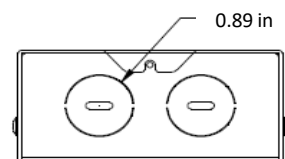
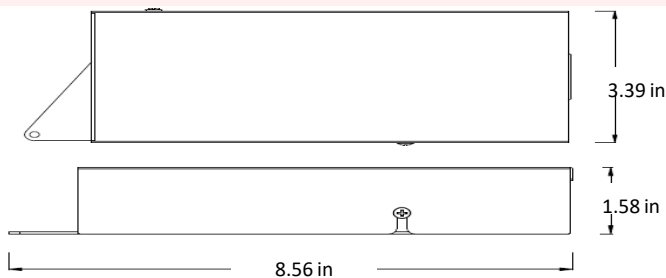
Square



Ceiling Thickness



Driver

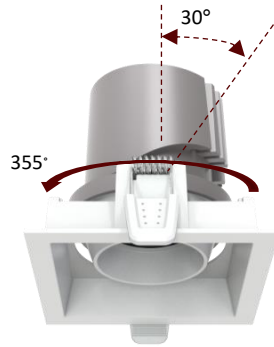


LED COMMERCIAL DOWNLIGHT

Recessed Single Head Downlight | 3" & 4" Round & Square

Adjustability





- Rotation up to 355°
- Tilt 30°



TRIM

SHAPE		
FINISH	ROUND	SQUARE
WHITE (-WHT)		
Black (-BKT)		

OPTICAL ACCESSORIES

ORDERING CODE	DESCRIPTION	LIGHT GLARE	PICTURE
AE-DL-KN-3-COMB AE-DL-KN-4-COMB	Hex louver Reduce the glare of the light source and luminaire		
AE-DL-KN-3-SOFTLENS AE-DL-KN-4-SOFTLENS	Softening Glass lens		

LED COMMERCIAL DOWNLIGHT

Recessed Single Head Downlight | 3" & 4" Round & Square

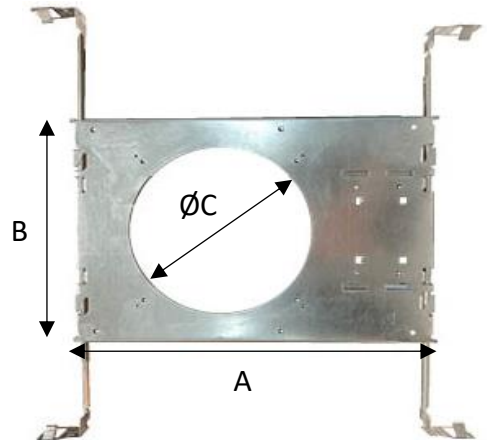
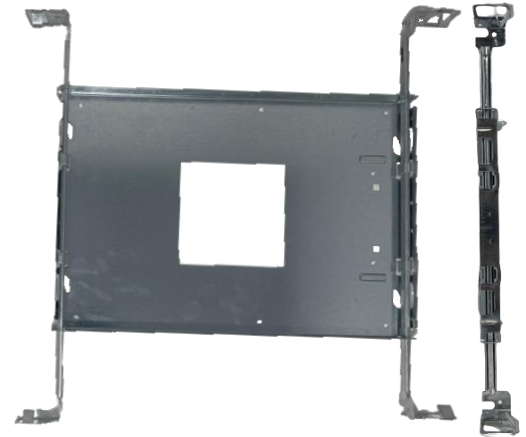
MOUNTING ACCESSORIES

Ordered separately, field installed.

NEW CONSTRUCTION UNIVERSAL FRAME KIT

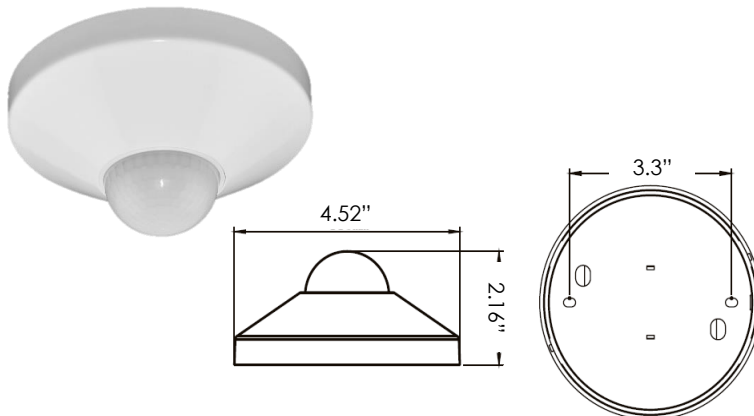
SPECIFICATIONS	
MATERIAL	22-gauge galvanized steel housing
MOUNTING	T-bar or drywall ceilings Up to 1.5" thick
LENGTH (A)	12.75 inch
WIDTH (B)	8.63 inch

OPENING SIZE			
ORDERING CODE	SIZE	SHAPE	C
AE-DL-FRKT-03-UNV	3"	Round	2.95" Ø
AE-DL-FRKT-UNA-03-UNV		Square	3.15 x 3.15"
AE-DL-FRKT-04-UNV	4"	Round	4.30" Ø
AE-DL-FRKT-UNA-04-UNV		Square	3.75 x 3.75"



ROOM OCCUPANCY SENSOR

PART NUMBER	DESCRIPTION
AE-CT-DT806	Detecta - Room Occupancy Sensor
RC102	RC102 Remote Control



SPECIFICATIONS	
Input Voltage	120-277 Vac
Power Frequency	50/60HZ
Rated Load	At 120 Vac 800W
	At 277 Vac 1200W
Detection Range	3-10 Meters
	9.8- 32.8 Feet
Standby Power	~0.9W
Time Setting	10 sec to 30 min
Light Control	10-2,000LUX
Installation	Ceiling Mounted

LED COMMERCIAL DOWNLIGHT

Recessed Single Head Downlight | 3" & 4" Round & Square

CONTROLS

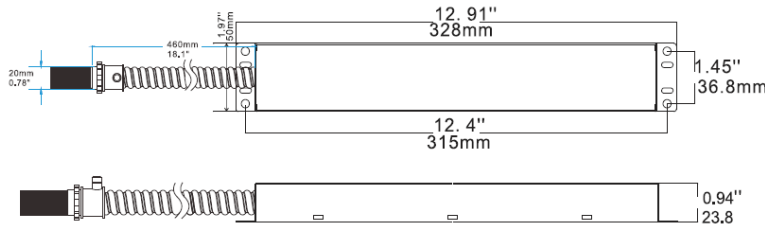
Ordered separately, field installed

EMERGENCY LED DRIVER (BLD-HMXXD-YYY)

BLD-HM8D-YYY



The BLD-HMXXD-YYY series LED Emergency Driver is UL listed for field and factory installations. It switches to emergency mode during power failures, providing up to 90 minutes of lighting. With an integrated battery, charger, and converter, it delivers 6-25W constant power at 170VDC. Ideal for 0-10V dimmable indoor commercial LED fixtures, such as flat panels, troffers, downlights, and linear strip lights.



SPECIFICATIONS	
Input Voltage	100-347 Vac
Power Frequency	50/60HZ
Input Power	8W max
Output Voltage	170V Dc
Output Power	8W
Ambient Temperature	0°C to 50°C
	30°F to 122°F
Installation	Remote

DIMMER COMPATIBILITY LIST

Brand	Model	Dim Depth To	DIM
LEVITON	IPM10	OFF	TRIAC
	6674	OFF	TRIAC
	AWSMT-EB	OFF	TRIAC
LUTRON	DVCL-153P	2%	TRIAC
	NTLV-603P	1%	TRIAC
	GT-250M	1%	TRIAC
	MACL-153M	1%	TRIAC
	PD-6WCL	1%	TRIAC
	DSL06	2%	TRIAC
	DV-600P	1%	TRIAC
	RRD-10ND	2%	TRIAC
	NTELV-300	1%	ELV
	SELV-300P	1%	ELV

LED COMMERCIAL DOWNLIGHT

Recessed Single Head Downlight | 3" & 4" Round & Square

LUMEN ESTIMATE

Lumen output varies based on CCT and CRI. An estimate of lumen output of the various CCT/CRI combinations, use correction factors as per table below:

LUMEN ESTIMATE ADJUSTMENT FACTORS

CCT	2700K	3000K	3500K	4000K
PREMIUM (90CRI)	0.8	0.86	0.93	0.93

PHOTOMETRIC DATA

PART NUMBER		ZONAL LUMEN SUMMARY			POLAR LUMINOUS INTENSITY	CONE DISTRIBUTION		
AE-DL-UNA-XXXX		Zone	Lumens	% Fixture	Direct Light	Center Beam Fc		Beam Width
Wattage	25W	0-20°	1427.6	82.90		2.5ft	1787 fc	0.9 ft 0.9 ft
CCT	3000K	0-30°	1625.1	94.40		5.0ft	447 fc	1.7 ft 1.8 ft
Distribution	15°	0-40°	1663.19	96.60		7.5ft	199 fc	2.6 ft 2.6 ft
SIZE	4"	0-60°	1674.06	97.20		10.0ft	112 fc	3.5 ft 3.5 ft
		0-80°	1676.23	97.40		12.5ft	71.5 fc	4.3 ft 4.4 ft
		0-90°	1676.66	97.40	15.0ft	49.6 fc	5.2 ft 5.3 ft	
						■ Vert. Spread: 19.7° ■ Horiz. Spread: 19.9°		
PART NUMBER		ZONAL LUMEN SUMMARY			POLAR LUMINOUS INTENSITY	CONE DISTRIBUTION		
AE-DL-UNA-XXXX		Zone	Lumens	% Fixture	Direct Light	Center Beam Fc		Beam Width
Wattage	25W	0-20°	1651.21	88.10		2.5ft	1388 fc	1.2 ft 1.2 ft
CCT	3000K	0-30°	1781.91	95.10		5.0ft	347 fc	2.4 ft 2.4 ft
Distribution	24°	0-40°	1814.81	96.90		7.5ft	154 fc	3.5 ft 3.6 ft
SIZE	4"	0-60°	1823.47	97.30		10.0ft	86.7 fc	4.7 ft 4.8 ft
		0-80°	1825.22	97.40		12.5ft	55.5 fc	5.9 ft 5.9 ft
		0-90°	1825.64	97.50	15.0ft	38.6 fc	7.1 ft 7.1 ft	
						■ Vert. Spread: 26.6° ■ Horiz. Spread: 26.8°		
PART NUMBER		ZONAL LUMEN SUMMARY			POLAR LUMINOUS INTENSITY	CONE DISTRIBUTION		
AE-DL-UNA-XXXX		Zone	Lumens	% Fixture	Direct Light	Center Beam Fc		Beam Width
Wattage	25W	0-20°	1362.7	72.10		2.5ft	774 fc	1.6 ft 1.6 ft
CCT	3000K	0-30°	1785.57	94.40		5.0ft	194 fc	3.2 ft 3.2 ft
Distribution	38°	0-40°	1830.81	96.80		7.5ft	86 fc	4.8 ft 4.9 ft
SIZE	4"	0-60°	1841.53	97.40		10.0ft	48.4 fc	6.4 ft 6.5 ft
		0-80°	1843.19	97.50		12.5ft	31 fc	8.0 ft 8.1 ft
		0-90°	1843.6	97.50	15.0ft	21.5 fc	9.6 ft 9.7 ft	
						■ Vert. Spread: 35.4° ■ Horiz. Spread: 35.9°		
PART NUMBER		ZONAL LUMEN SUMMARY			POLAR LUMINOUS INTENSITY	CONE DISTRIBUTION		
AE-DL-UNA-XXXX		Zone	Lumens	% Fixture	Direct Light	Center Beam Fc		Beam Width
Wattage	25W	0-20°	937.16	49.00		2.5ft	396 fc	2.5 ft 2.5 ft
CCT	3000K	0-30°	1575.78	82.40		5.0ft	99 fc	5.1 ft 5.1 ft
Distribution	55°	0-40°	1834.74	95.90		7.5ft	44 fc	7.6 ft 7.6 ft
SIZE	4"	0-60°	1862.91	97.40		10.0ft	24.7 fc	10.2 ft 10.1 ft
		0-80°	1865.02	97.50		12.5ft	15.8 fc	12.7 ft 12.6 ft
		0-90°	1865.43	97.50	15.0ft	11 fc	15.2 ft 15.2 ft	
						■ Vert. Spread: 53.9° ■ Horiz. Spread: 53.6°		

LED COMMERCIAL DOWNLIGHT

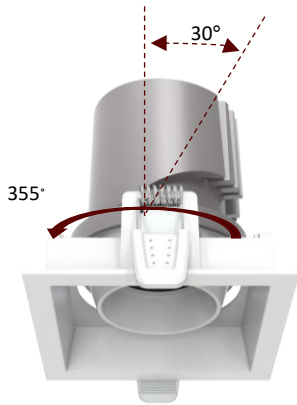
Recessed Single Head Downlight | 3" & 4" Round & Square

OVERVIEW



Innovative Design

- Brushed metal housing.
- Improved design extends LED and driver lifespan.
- Stainless steel spring-action clips



Multiple Options

- Powers 10W,15W,20W,25W
- Available in 3" or 4"
- Round / square, Black / white trim options.
- CCT available 2700K, 3000K, 3500K and 4000K
- Four distributions (15°, 24°, 38°, 55°)



Accessories

- Hex louvers and soft lens.
- New construction frame kit.
- Emergency back up battery.



Tests And Certifications



Optional

Emergency backup battery