

# MULTIHEADS

## LED COMMERCIAL DOWNLIGHT

### Recessed Head Downlight | 3", 4", & 5" | 1, 2, & 3 heads

The Multi-head Series (**UNA**, **DUA**, and **TRIA**) combines elegance and flexibility to provide the ultimate lighting environment. This family features configurations of one, two, or three heads with light engines ranging from 10W to 35W per head, with multi-head units powered independently for a secondary failure mode. Each fixture comes standard with 0-10V and phase dimming for maximum control freedom, while integrated spring mechanisms ensure fast and easy installation.

Applications: Art Galleries | Show Rooms | Retail Stores | Hospitality | Offices

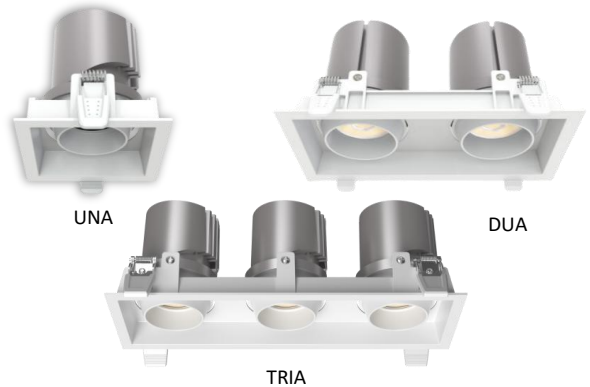
	DATE	QTY	ACC. QTY	TYPE
PROJECT				
PN				
ACCESSORY PN				
NOTES				

DYNAMIC MENU	
Order Information	<a href="#">Page 2</a>
Dimensions	<a href="#">Page 4</a>
Accessories	<a href="#">Page 8</a>
Photometric Data	<a href="#">Page 11</a>

[Install Instruction link](#)

### SPECIFICATIONS

Input Voltage	120-277V			
Power Factor	>0.9			
Total Harmonic Distortion	<20%			
Dimming <a href="#">Page 11</a>	Dual Dimming TRIAC & 0-10V dimming (down 10%)			
CRI	90 CRI			
CCT				
Efficacy	~80 LPW			
Size and Power (W)		Una	Dua	Tria
	3"	10   15	20   30	30   45
	4"	20   25	40   50	-
	5"	30   35	60   70	90   105
Ambient Temperature Range	-10°C to 40°C			
Mounting Options	New construction   Retrofit Recessed			
Trim Finish				
Trim Shape				
Optical Accessories	Honeycomb louver   Soft lens			
Distribution				



### PRODUCT FEATURE



Emergency Backup Battery

### PRODUCT CERTIFICATIONS



### SYSTEM WARRANTY – 5 YEARS

Eralux will warrant defective drivers, LEDs and boards for 5 years from the date of purchase. This warranty is valid only if the fixture is installed and used as per installation guides and specifications. If a defect is present, Eralux will send drivers and boards at no fee with a thorough replacement instructions along with instructions on the return of the defective parts back to Eralux.

### LUMEN MAINTENANCE – L70 at 60,000 hours

Rated for 70% initial lumen output at 60,000 hours of operation, operated at 25°C ambient temperature; per guidelines published by the Illuminating Engineering Society (IES).



## LED COMMERCIAL DOWNLIGHT

Recessed Head Downlight | 3", 4", & 5" | 1, 2, & 3 heads

### ORDERING GUIDE - UNA

<b>AE-DL-UNA</b>					<b>-UV</b>		<b>-X</b>	
<b>AE-DL-UNA</b> UNA Recessed Downlight Single Head	<b>-3<sup>1</sup></b> 3 inch <b>-4<sup>2</sup></b> 4 inch <b>-5<sup>3</sup></b> 5 inch	<b>[Blank]</b> Square <b>R</b> Round	<b>-27</b> 2700K <b>-30</b> 3000K <b>-35</b> 3500K <b>-40</b> 4000K	<b>-15</b> Narrow Flood 15° <b>-24</b> Flood 24° <b>-38</b> Wide Flood 38° <b>-55</b> Very Wide flood 55°	<b>-UV</b> 120-277V	<b>-10W</b> 3"   10W   800lm <b>-15W</b> 3"   15W   1200lm <b>-20W</b> 4"   20W   1800lm <b>-25W</b> 4"   25W   2200lm <b>-30W</b> 5"   30W   2400lm <b>-35W</b> 5"   35W   2800lm	<b>-X</b> Dual Dimming 0-10V & TRIAC	<b>[BLANK]</b> White Trim <b>-BKT</b> Black Trim
<b>Fixture Family</b>	<b>Size</b>	<b>Shape</b>	<b>CCT</b>	<b>Distribution</b>	<b>Input Voltage</b>	<b>Power</b>	<b>Dimming</b>	<b>Finish</b>

#### NOTES

- 3-inch Una is only available with 10W & 15W power.
- 4-inch Una is available with 20W & 25W power, contact factory for 10W & 15W power.
- 5-inch Una is available with 30W & 35W power, contact factory for 10W, 15W, 20W & 25W power.

### ORDERING GUIDE - DUA

<b>AE-DL-DUA</b>					<b>-UV</b>		<b>-X</b>	
<b>AE-DL-DUA</b> DUA Recessed downlight Two Heads	<b>-3<sup>1</sup></b> 3 Inch <b>-4<sup>2</sup></b> 4 Inch <b>-5<sup>3</sup></b> 5 Inch	<b>-27</b> 2700K <b>-30</b> 3000K <b>-35</b> 3500K <b>-40</b> 4000K	<b>-15</b> Narrow Flood 15° <b>-24</b> Flood 24° <b>-38</b> Wide Flood 38° <b>-55</b> Very Wide flood 55°	<b>-UV</b> 120-277V	<b>-20W</b> 3"   2x10W   1600lm <b>-30W</b> 3"   2x15W   2400lm <b>-40W</b> 4"   2x20W   3600lm <b>-50W</b> 4"   2x25W   4400lm <b>-60W</b> 5"   2x30W   4800lm <b>-70W</b> 5"   2x35W   5600lm	<b>-X</b> Dual Dimming 0-10V & TRIAC	<b>[Blank]</b> White Trim <b>-BKT</b> Black Trim	
<b>Fixture Family</b>	<b>Size</b>	<b>CCT</b>	<b>Distribution</b>	<b>Input voltage</b>	<b>Power</b>	<b>Dimming</b>	<b>Finish</b>	

#### NOTES

- 3" DUA is only available with 20W & 30W power
- 4" DUA is only available with 40W & 50W power, contact factory for 20W & 30W power.
- 5" DUA is only available with 60W & 70W power, contact factory for 20W, 30W, 40W & 50W power.

## LED COMMERCIAL DOWNLIGHT

Recessed Head Downlight | 3", 4", & 5" | 1, 2, & 3 heads



### ORDERING GUIDE - TRIA

AE-DL-TRIA	-3				-UV			-X		
<b>AE-DL-TRIA</b> TRIA Recessed downlight Three Head	<b>-3</b> 3 Inch	<b>-30</b> 3000K	<b>-15</b> Narrow Flood 15°	<b>-UV</b> 120-277V	<b>-30W</b> 3" 3X10W 2400lm	<b>-45W</b> 3" 3X15W 3600lm	<b>-90W</b> 5" 3X30W 7200lm	<b>-105W</b> 5" 3X35W 8400lm	<b>-X</b> Dual Dimming 0-10V & TRIAC	<b>[Blank]</b> White Trim <b>-BKT</b> Black Trim
	<b>-5</b> 5 Inch	<b>-35</b> 3500K	<b>-24</b> Flood 24°							
		<b>-40</b> 4000K	<b>-38</b> Wide Flood 38°							
			<b>-55</b> Very Wide flood 55°							

Fixture Family

Size

CCT

Distribution

Input voltage

Power

Dimming

Finish

#### NOTES

- 3" TRIA is only available with 30W & 45W power
- 5" TRIA is available with 90W & 105W power, contact factory for 30W & 45W power.



### ORDERING GUIDE – ACCESSORIES | IP

AE-DL-KN	-3	-COMB
Multiheads Accessories	3 Inch	Honeycomb louver
1 for each head	<b>-4<sup>1</sup></b> 4 Inch	<b>-SOFTLENS</b>
	<b>-5</b> 5 Inch	

Fixture Family

SIZE

Accessory

<b>[BLANK]</b> Standard IP20
<b>AE-DL-KN-3-IP44-KIT</b> IP44   3" 1 for each head
<b>AE-DL-KN-4-IP44-KIT</b> IP44   4" 1 for each head

IP Rating



### ORDERING GUIDE – FRAME KIT | EMBB

AE-DL-FRKT	[BLANK]	-03	-UNV <sup>2</sup>
FRAME KITS Downlights	UNA Round frame	3 Inch	
	<b>-UNA</b>	<b>-04<sup>1</sup></b> 4 Inch	
	UNA Square frame	<b>-05</b> 5 Inch	
	<b>-DUA</b>		
	DUA Square frame		
	<b>-TRIA</b>		
	TRIA Square frame		

Fixture Family

Shape

SIZE

TYPE

<b>[BLANK]</b> No EMBB
<b>BLD-HM8D-YY</b> 8W emergency battery backup

EMBB

#### NOTES

- 4" not available for TRIA
- Junction Box is not included. MULTI HEADS SERIES comes with a junction box by default.

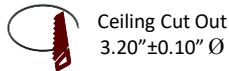
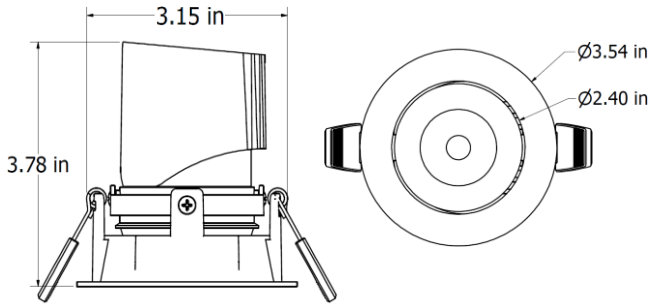
## LED COMMERCIAL DOWNLIGHT

Recessed Head Downlight | 3", 4", & 5" | 1, 2, & 3 heads

### DIMENSIONS - UNA

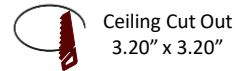
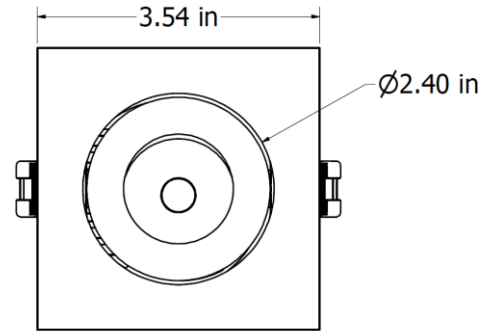
#### AE-DL-UNA-3

##### Round



Ceiling Cut Out  
3.20" ± 0.10" Ø

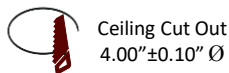
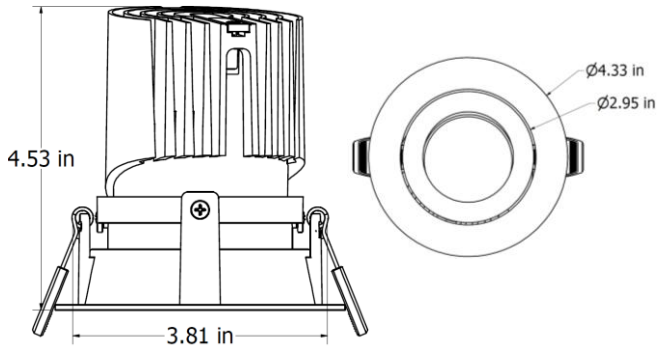
##### Square



Ceiling Cut Out  
3.20" x 3.20"

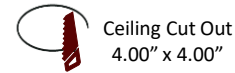
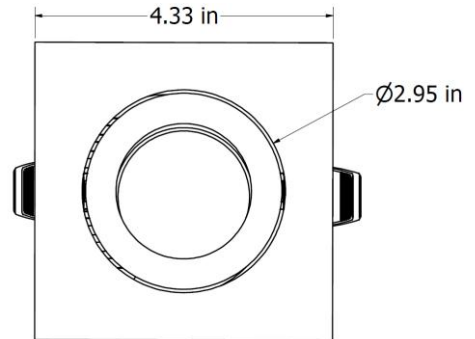
#### AE-DL-UNA-4

##### Round



Ceiling Cut Out  
4.00" ± 0.10" Ø

##### Square



Ceiling Cut Out  
4.00" x 4.00"

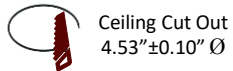
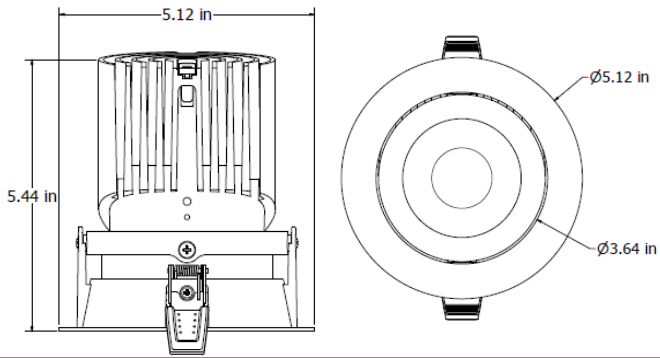
## LED COMMERCIAL DOWNLIGHT

Recessed Head Downlight | 3", 4", & 5" | 1, 2, & 3 heads

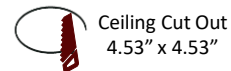
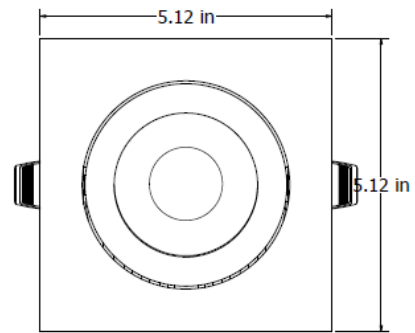
### DIMENSIONS - UNA

#### AE-DL-UNA-5

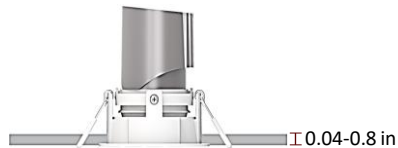
##### Round



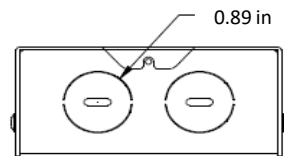
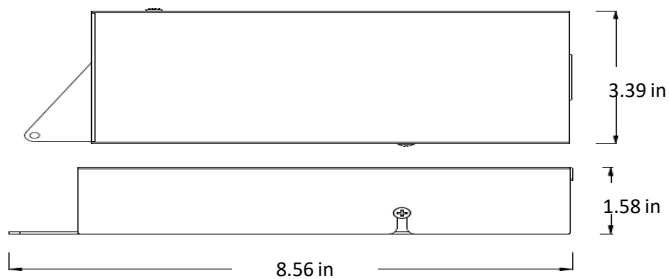
##### Square



#### Ceiling Thickness



#### Driver and Junction box



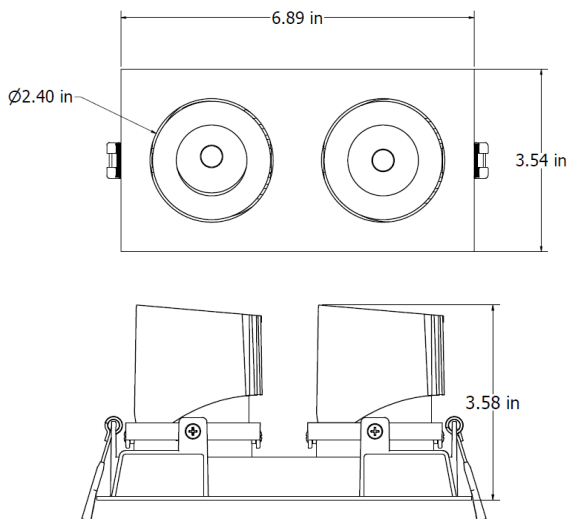
## LED COMMERCIAL DOWNLIGHT

Recessed Head Downlight | 3", 4", & 5" | 1, 2, & 3 heads

### DIMENSIONS - DUA

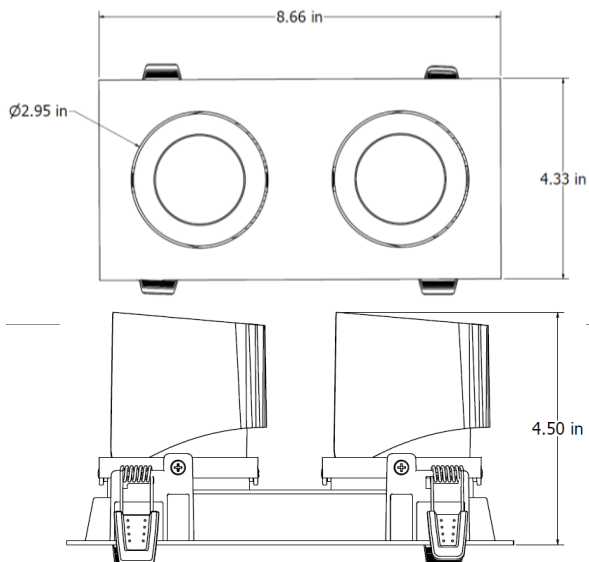
#### AE-DL-DUA

#### 3 inch



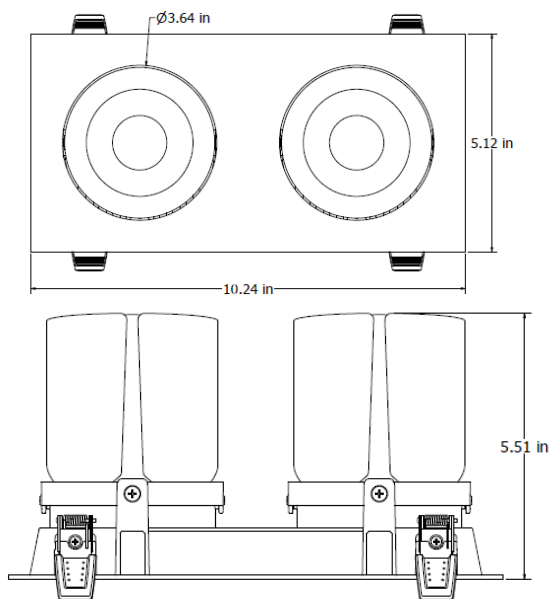
Ceiling Cut out : 3.16 x 6.5"

#### 4 inch



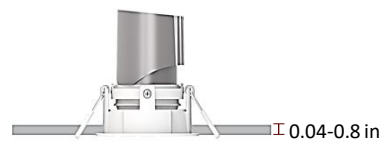
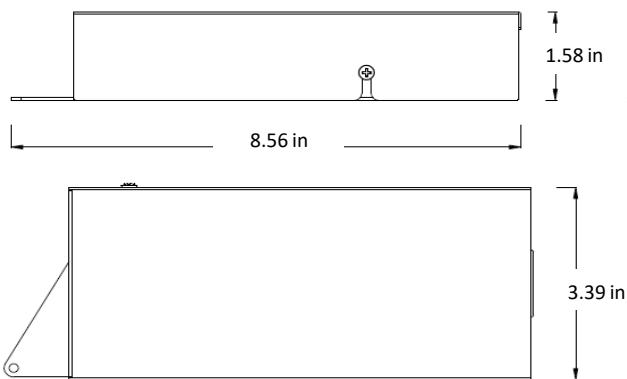
Ceiling Cut out : 3.73 x 8.08"

#### 5 inch



Ceiling Cut out : 4.5 x 9.5"

#### Driver and Junction box



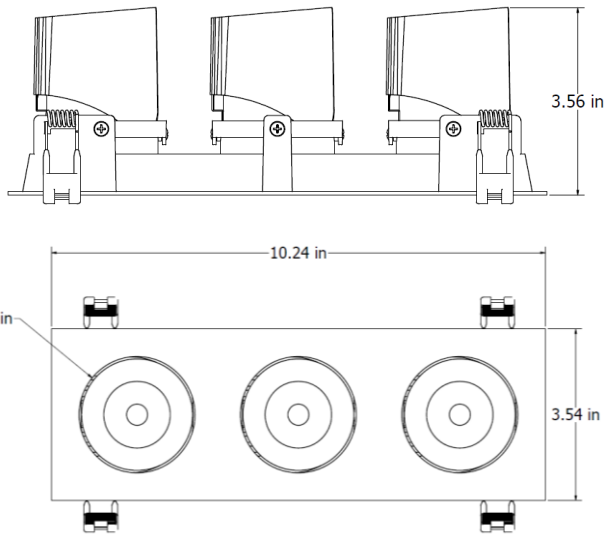
Ceiling Thickness

## LED COMMERCIAL DOWNLIGHT

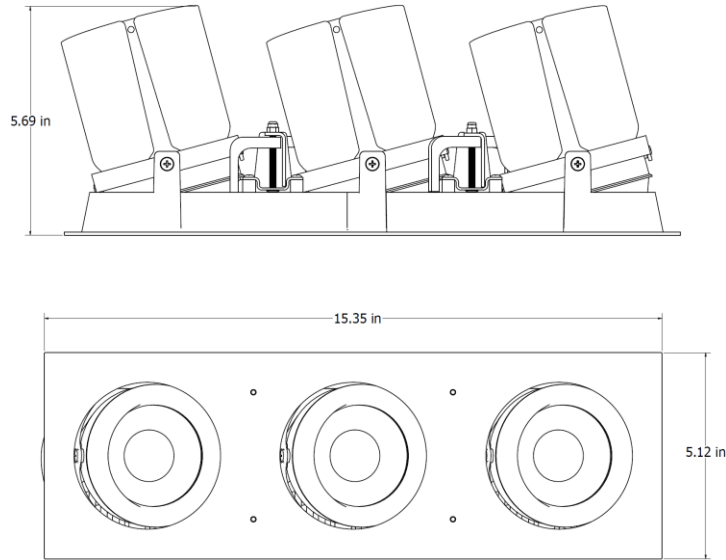
Recessed Head Downlight | 3", 4", & 5" | 1, 2, & 3 heads

### DIMENSIONS - TRIA

**AE-DL-TRIA-3**  
Spring Clips



**AE-DL-TRIA-5**  
Roto-Lock Clamps

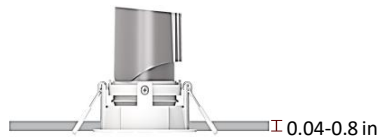


Ceiling Cut out  
9.84 x 3.16"

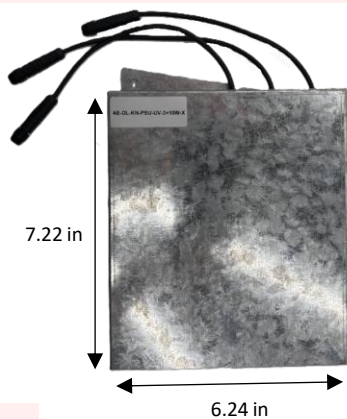


Ceiling Cut out  
14.64 x 4.5"

### Ceiling Thickness



### Driver



#### NOTES

- Driver has one power input and three power outputs.

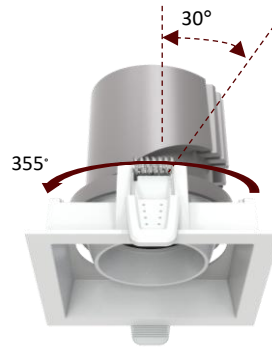
# MULTIHEADS SERIES

## LED COMMERCIAL DOWNLIGHT

Recessed Head Downlight | 3", 4", & 5" | 1, 2, & 3 heads

### Adjustability

- Rotation up to 355°
- Tilt 30°



### NOTES

- The same rotation and tilt apply for DUA and TRIA

### TRIM

SHAPE		
FINISH	ROUND (UNA only)	SQUARE
WHITE (-WHT)		
Black (-BKT)		

## LED COMMERCIAL DOWNLIGHT

Recessed Head Downlight | 3", 4", & 5" | 1, 2, & 3 heads

### MOUNTING ACCESSORIES

Ordered separately, field installed. Round frame kit not available for DUA and TRIA.

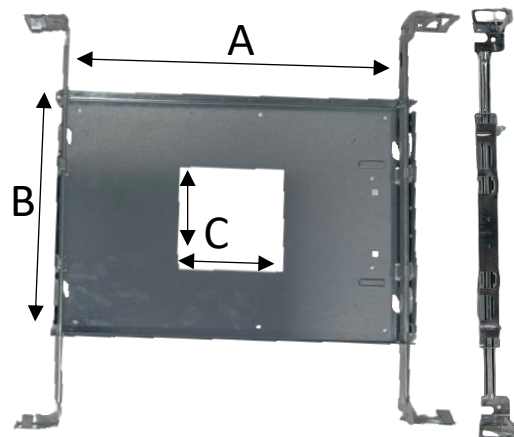
### NEW CONSTRUCTION UNIVERSAL FRAME KIT

#### SPECIFICATIONS

<b>MATERIAL</b>	22-gauge galvanized steel housing
<b>MOUNTING</b>	T-bar or drywall ceilings Up to 1.5" thick
<b>LENGTH (A)</b>	12.75 inch
<b>WIDTH (B)</b>	8.63 inch

#### OPENING SIZE

ORDERING CODE	SIZE	SHAPE	C
AE-DL-FRKT-03-UNV		Round	2.95" Ø
AE-DL-FRKT-UNA-03-UNV	3"	Square	3.15 x 3.15"
AE-DL-FRKT-DUA-3		Rectangle	3.15 x 6.50"
AE-DL-FRKT-TRIA-3		Rectangle	3.28 x 9.90"
AE-DL-FRKT-04-UNV		Round	4.30" Ø
AE-DL-FRKT-UNA-04-UNV	4"	Square	3.75 x 3.75"
AE-DL-FRKT-DUA-4		Rectangle	3.74 x 8.07"
AE-DL-FRKT-05-UNV		Round	4.92" Ø
AE-DL-FRKT-UNA-05-UNV	5"	Square	5.10 x 5.10"
AE-DL-FRKT-DUA-5		Rectangle	5.15x10.24"
AE-DL-FRKT-TRIA-5		Rectangle	4.57 x 14.65"



## LED COMMERCIAL DOWNLIGHT

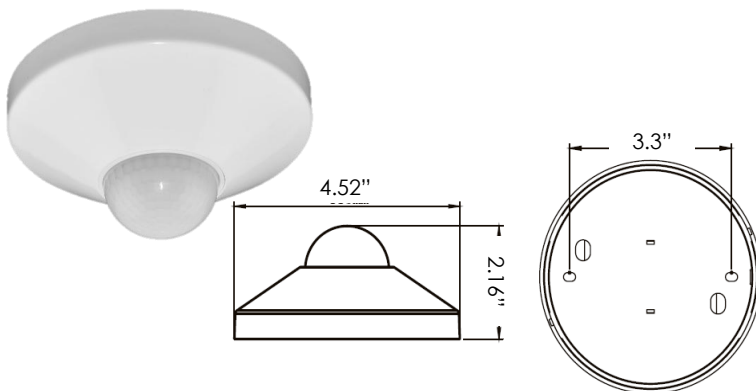
Recessed Head Downlight | 3", 4", & 5" | 1, 2, & 3 heads

### OPTICAL ACCESSORIES

ORDERING CODE	DESCRIPTION	LIGHT GLARE	PICTURE
AE-DL-KN-3-COMB AE-DL-KN-4-COMB AE-DL-KN-5-COMB	Hex louver Reduce the glare of the light source and luminaire		
AE-DL-KN-3-SOFTLENS AE-DL-KN-4-SOFTLENS AE-DL-KN-5-SOFTLENS	Softening Glass lens		

### ROOM OCCUPANCY SENSOR

PART NUMBER	DESCRIPTION
AE-CT-DT806	Detecta - Room Occupancy Sensor
RC102	RC102 Remote Control



SPECIFICATIONS	
Input Voltage	120-277 Vac
Power Frequency	50/60HZ
Rated Load	At 120 Vac 800W
	At 277 Vac 1200W
Detection Range	3-10 Meters
	9.8- 32.8 Feet
Standby Power	~0.9W
Time Setting	10 sec to 30 min
Light Control	10-2,000LUX
Installation	Ceiling Mounted

## LED COMMERCIAL DOWNLIGHT

Recessed Head Downlight | 3", 4", & 5" | 1, 2, & 3 heads

### CONTROLS

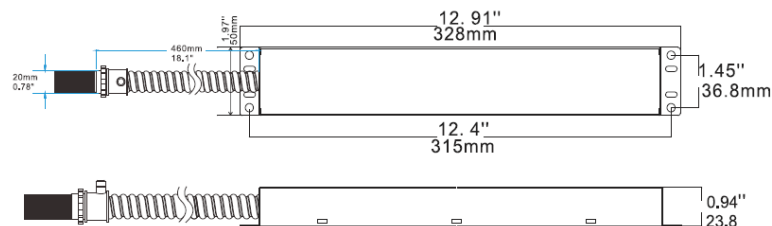
Ordered separately, field installed

### EMERGENCY LED DRIVER (BLD-HMXXD-YYY)

BLD-HM8D-YYY



The BLD-HMXXD-YYY series LED Emergency Driver is UL listed for field and factory installations. It switches to emergency mode during power failures, providing up to 90 minutes of lighting. With an integrated battery, charger, and converter, it delivers 6-25W constant power at 170VDC. Ideal for 0-10V dimmable indoor commercial LED fixtures, such as flat panels, troffers, downlights, and linear strip lights.



SPECIFICATIONS	
Input Voltage	100-347 Vac
Power Frequency	50/60HZ
Input Power	8W max
Output Voltage	170V Dc
Output Power	8W
Ambient Temperature	0°C to 50°C
	30°F to 122°F
Installation	Remote

### DIMMER COMPATIBILITY LIST

Brand	Model	Dim Depth To	DIM
LEVITON	IPM10	OFF	TRIAC
	6674	OFF	TRIAC
	AWSMT-EB	OFF	TRIAC
LUTRON	DVCL-153P	2%	TRIAC
	NTLV-603P	1%	TRIAC
	GT-250M	1%	TRIAC
	MACL-153M	1%	TRIAC
	PD-6WCL	1%	TRIAC
	DSL06	2%	TRIAC
	DV-600P	1%	TRIAC
	RRD-10ND	2%	TRIAC
	NTELV-300	1%	ELV
	SELV-300P	1%	ELV

## LED COMMERCIAL DOWNLIGHT

Recessed Head Downlight | 3", 4", & 5" | 1, 2, & 3 heads

### LUMEN ESTIMATE

Lumen output varies based on CCT and CRI. Use correction factors as per table below:

#### LUMEN ESTIMATE ADJUSTMENT FACTORS

CCT	2700K	3000K	3500K	4000K
PREMIUM (90CRI)	0.8	0.86	0.93	0.93

### PHOTOMETRIC DATA - UNA

PART NUMBER		ZONAL LUMEN SUMMARY			POLAR LUMINOUS INTENSITY	CONE DISTRIBUTION			
AE-DL-UNA-XXXX		Zone	Lumens	% Fixture	Direct Light	Center Beam Fc		Beam Width	
Wattage	15W	0-20°	744.03	62.8		2.5ft	638 fc	1.1 ft	1.1 ft
CCT	3000K	0-30°	972.82	82.1		5.0ft	160 fc	2.3 ft	2.2 ft
Distribution	15°	0-40°	1060.77	89.5		7.5ft	70.9 fc	3.4 ft	3.3 ft
SIZE	3" Round	0-60°	1124.76	94.9		10.0ft	39.9 fc	4.5 ft	4.4 ft
		0-80°	1154.59	97.4		12.5ft	25.5 fc	5.7 ft	5.5 ft
		0-90°	1156.8	97.6	15.0ft	17.7 fc	6.8 ft	6.7 ft	
						<span style="color: blue;">■</span> Vert. Spread: 25.5° <span style="color: red;">■</span> Horiz. Spread: 25.0°			

PART NUMBER		ZONAL LUMEN SUMMARY			POLAR LUMINOUS INTENSITY	CONE DISTRIBUTION			
AE-DL-UNA-XXXX		Zone	Lumens	% Fixture	Direct Light	Center Beam Fc		Beam Width	
Wattage	15W	0-20°	774.08	62.5		2.5ft	499 fc	1.5 ft	1.5 ft
CCT	3000K	0-30°	1046.45	84.5		5.0ft	125 fc	3.1 ft	3.1 ft
Distribution	24°	0-40°	1128.76	91.2		7.5ft	55.4 fc	4.6 ft	4.6 ft
SIZE	3" Round	0-60°	1184.23	95.6		10.0ft	31.2 fc	6.1 ft	6.1 ft
		0-80°	1206.49	97.4		12.5ft	20 fc	7.7 ft	7.6 ft
		0-90°	1208.15	97.6	15.0ft	13.9 fc	9.2 ft	9.2 ft	
						<span style="color: blue;">■</span> Vert. Spread: 34.1° <span style="color: red;">■</span> Horiz. Spread: 34.0°			

PART NUMBER		ZONAL LUMEN SUMMARY			POLAR LUMINOUS INTENSITY	CONE DISTRIBUTION			
AE-DL-UNA-XXXX		Zone	Lumens	% Fixture	Direct Light	Center Beam Fc		Beam Width	
Wattage	15W	0-20°	724.73	57.7		2.5ft	414 fc	1.8 ft	1.8 ft
CCT	3000K	0-30°	1050.4	83.6		5.0ft	104 fc	3.6 ft	3.6 ft
Distribution	38°	0-40°	1147.99	91.3		7.5ft	46 fc	5.4 ft	5.3 ft
SIZE	3" Round	0-60°	1203.38	95.8		10.0ft	25.9 fc	7.1 ft	7.1 ft
		0-80°	1224.62	97.4		12.5ft	16.6 fc	8.9 ft	8.9 ft
		0-90°	1226.33	97.6	15.0ft	11.5 fc	10.7 ft	10.7 ft	
						<span style="color: blue;">■</span> Vert. Spread: 39.3° <span style="color: red;">■</span> Horiz. Spread: 39.2°			

PART NUMBER		ZONAL LUMEN SUMMARY			POLAR LUMINOUS INTENSITY	CONE DISTRIBUTION			
AE-DL-UNA-XXXX		Zone	Lumens	% Fixture	Direct Light	Center Beam Fc		Beam Width	
Wattage	15W	0-20°	486.08	39.8		2.5ft	239 fc	2.4 ft	2.4 ft
CCT	3000K	0-30°	844.6	69.1		5.0ft	59.7 fc	4.8 ft	4.8 ft
Distribution	55°	0-40°	1048.84	85.8		7.5ft	26.5 fc	7.2 ft	7.2 ft
SIZE	3" Round	0-60°	1163.79	95.2		10.0ft	14.9 fc	9.6 ft	9.6 ft
		0-80°	1190.89	97.5		12.5ft	9.55 fc	12.1 ft	12.0 ft
		0-90°	1192.93	97.6	15.0ft	6.63 fc	14.5 ft	14.4 ft	
						<span style="color: blue;">■</span> Vert. Spread: 51.5° <span style="color: red;">■</span> Horiz. Spread: 51.4°			

## LED COMMERCIAL DOWNLIGHT

Recessed Head Downlight | 3", 4", & 5" | 1, 2, & 3 heads

### PHOTOMETRIC DATA – DUA

PART NUMBER		ZONAL LUMEN SUMMARY			POLAR LUMINOUS INTENSITY	CONE DISTRIBUTION			
AE-DL-DUA-XXXX		Zone	Lumens	% Fixture	Direct Light	Center Beam Fc	Beam Width		
Wattage	25W	0-20°	1427.6	82.90		2.5ft	1787 fc	0.9 ft	0.9 ft
CCT	3000K	0-30°	1625.1	94.40		5.0ft	447 fc	1.7 ft	1.8 ft
Distribution	15°	0-40°	1663.19	96.60		7.5ft	199 fc	2.6 ft	2.6 ft
SIZE	4" Round	0-60°	1674.06	97.20		10.0ft	112 fc	3.5 ft	3.5 ft
		0-80°	1676.23	97.40		12.5ft	71.5 fc	4.3 ft	4.4 ft
		0-90°	1676.66	97.40	15.0ft	49.6 fc	5.2 ft	5.3 ft	
						■ Vert. Spread: 19.7° ■ Horiz. Spread: 19.9°			
PART NUMBER		ZONAL LUMEN SUMMARY			POLAR LUMINOUS INTENSITY	CONE DISTRIBUTION			
AE-DL-DUA-XXXX		Zone	Lumens	% Fixture	Direct Light	Center Beam Fc	Beam Width		
Wattage	25W	0-20°	1651.21	88.10		2.5ft	1388 fc	1.2 ft	1.2 ft
CCT	3000K	0-30°	1781.91	95.10		5.0ft	347 fc	2.4 ft	2.4 ft
Distribution	24°	0-40°	1814.81	96.90		7.5ft	154 fc	3.5 ft	3.6 ft
SIZE	4" Round	0-60°	1823.47	97.30		10.0ft	86.7 fc	4.7 ft	4.8 ft
		0-80°	1825.22	97.40		12.5ft	55.5 fc	5.9 ft	5.9 ft
		0-90°	1825.64	97.50	15.0ft	38.6 fc	7.1 ft	7.1 ft	
						■ Vert. Spread: 26.6° ■ Horiz. Spread: 26.8°			
PART NUMBER		ZONAL LUMEN SUMMARY			POLAR LUMINOUS INTENSITY	CONE DISTRIBUTION			
AE-DL-DUA-XXXX		Zone	Lumens	% Fixture	Direct Light	Center Beam Fc	Beam Width		
Wattage	25W	0-20°	1362.7	72.10		2.5ft	774 fc	1.6 ft	1.6 ft
CCT	3000K	0-30°	1785.57	94.40		5.0ft	194 fc	3.2 ft	3.2 ft
Distribution	38°	0-40°	1830.81	96.80		7.5ft	86 fc	4.8 ft	4.9 ft
SIZE	4" Round	0-60°	1841.53	97.40		10.0ft	48.4 fc	6.4 ft	6.5 ft
		0-80°	1843.19	97.50		12.5ft	31 fc	8.0 ft	8.1 ft
		0-90°	1843.6	97.50	15.0ft	21.5 fc	9.6 ft	9.7 ft	
						■ Vert. Spread: 35.4° ■ Horiz. Spread: 35.9°			
PART NUMBER		ZONAL LUMEN SUMMARY			POLAR LUMINOUS INTENSITY	CONE DISTRIBUTION			
AE-DL-DUA-XXXX		Zone	Lumens	% Fixture	Direct Light	Center Beam Fc	Beam Width		
Wattage	25W	0-20°	937.16	49.00		2.5ft	396 fc	2.5 ft	2.5 ft
CCT	3000K	0-30°	1575.78	82.40		5.0ft	99 fc	5.1 ft	5.1 ft
Distribution	55°	0-40°	1834.74	95.90		7.5ft	44 fc	7.6 ft	7.6 ft
SIZE	4" Round	0-60°	1862.91	97.40		10.0ft	24.7 fc	10.2 ft	10.1 ft
		0-80°	1865.02	97.50		12.5ft	15.8 fc	12.7 ft	12.6 ft
		0-90°	1865.43	97.50	15.0ft	11 fc	15.2 ft	15.2 ft	
						■ Vert. Spread: 53.9° ■ Horiz. Spread: 53.6°			

## LED COMMERCIAL DOWNLIGHT

Recessed Head Downlight | 3", 4", & 5" | 1, 2, & 3 heads

### PHOTOMETRIC DATA – TRIA

PART NUMBER		ZONAL LUMEN SUMMARY			POLAR LUMINOUS INTENSITY	CONE DISTRIBUTION			
AE-DL-TRIA-XXXX		Zone	Lumens	% Fixture	Direct Light	Center Beam Fc		Beam Width	
Wattage	30W	0-20°	1560.6	61.2		2.5ft	2161 fc	1.2 ft	1.1 ft
CCT	3000K	0-30°	2074.52	81.3		5.0ft	540 fc	2.3 ft	2.3 ft
Distribution	15°	0-40°	2274.6	89.1		7.5ft	240 fc	3.5 ft	3.4 ft
SIZE	5" Round	0-60°	2418.17	94.8		10.0ft	135 fc	4.6 ft	4.5 ft
		0-80°	2483.29	97.3		12.5ft	86.5 fc	5.8 ft	5.7 ft
		0-90°	2489.58	97.6	15.0ft	60 fc	6.9 ft	6.8 ft	
						■ Vert. Spread: 25.9° ■ Horiz. Spread: 25.6°			
PART NUMBER		ZONAL LUMEN SUMMARY			POLAR LUMINOUS INTENSITY	CONE DISTRIBUTION			
AE-DL-TRIA-XXXX		Zone	Lumens	% Fixture	Direct Light	Center Beam Fc		Beam Width	
Wattage	30W	0-20°	1690	62.4		2.5ft	2161 fc	1.2 ft	1.1 ft
CCT	3000K	0-30°	2291.57	84.7		5.0ft	540 fc	2.3 ft	2.3 ft
Distribution	24°	0-40°	2472.35	91.4		7.5ft	240 fc	3.5 ft	3.4 ft
SIZE	5" Round	0-60°	2588.51	95.6		10.0ft	135 fc	4.6 ft	4.5 ft
		0-80°	2636.4	97.4		12.5ft	86.5 fc	5.8 ft	5.7 ft
		0-90°	2640.77	97.6	15.0ft	60 fc	6.9 ft	6.8 ft	
						■ Vert. Spread: 25.9° ■ Horiz. Spread: 25.6°			
PART NUMBER		ZONAL LUMEN SUMMARY			POLAR LUMINOUS INTENSITY	CONE DISTRIBUTION			
AE-DL-TRIA-XXXX		Zone	Lumens	% Fixture	Direct Light	Center Beam Fc		Beam Width	
Wattage	30W	0-20°	1562.5	100		2.5ft	1074 fc	1.7 ft	1.7 ft
CCT	3000K	0-30°	2308.08	147.8		5.0ft	269 fc	3.4 ft	3.4 ft
Distribution	38°	0-40°	2549.17	163.2		7.5ft	119 fc	5.2 ft	5.1 ft
SIZE	5" Round	0-60°	2664.08	170.6		10.0ft	67.1 fc	6.9 ft	6.8 ft
		0-80°	2709.43	173.5		12.5ft	43 fc	8.6 ft	8.5 ft
		0-90°	2714.01	173.8	15.0ft	29.8 fc	10.3 ft	10.2 ft	
						■ Vert. Spread: 37.9° ■ Horiz. Spread: 37.6°			
PART NUMBER		ZONAL LUMEN SUMMARY			POLAR LUMINOUS INTENSITY	CONE DISTRIBUTION			
AE-DL-TRIA-XXXX		Zone	Lumens	% Fixture	Direct Light	Center Beam Fc		Beam Width	
Wattage	30W	0-20°	1001.67	38.3		2.5ft	685 fc	2.2 ft	2.1 ft
CCT	3000K	0-30°	1754.78	67		5.0ft	171 fc	4.4 ft	4.3 ft
Distribution	55°	0-40°	2216.85	84.7		7.5ft	76.1 fc	6.6 ft	6.4 ft
SIZE	5" Round	0-60°	2489.78	95.1		10.0ft	42.8 fc	8.8 ft	8.6 ft
		0-80°	2550	97.4		12.5ft	27.4 fc	10.9 ft	10.7 ft
		0-90°	2555.57	97.6	15.0ft	19 fc	13.1 ft	12.9 ft	
						■ Vert. Spread: 47.3° ■ Horiz. Spread: 46.4°			

## LED COMMERCIAL DOWNLIGHT

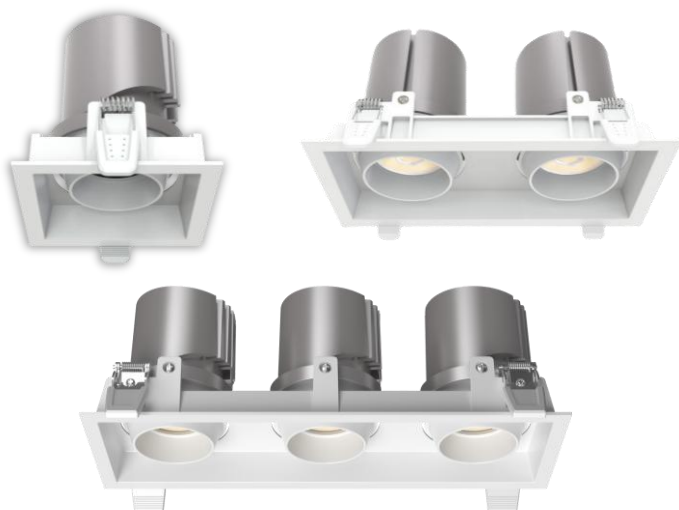
Recessed Head Downlight | 3", 4", & 5" | 1, 2, & 3 heads

### OVERVIEW



#### Innovative Design

- Brushed metal housing.
- Improved design extends LED and driver lifespan.
- Stainless steel spring-action clips



#### Multiple Options

- Powers
  1. UNA: 10W, 15W, 20W, 25W, 30W, 35W
  2. DUA: 20W, 30W, 40W, 50W, 60W, 70W
  3. TRIA: 30W, 45W, 90W, 105W
- Available in 3", 4", or 5"
- Round / square, Black / white trim options.
- CCT available 2700K, 3000K, 3500K and 4000K
- Four distributions: 15°, 24°, 38°, 55°



#### Tests And Certifications

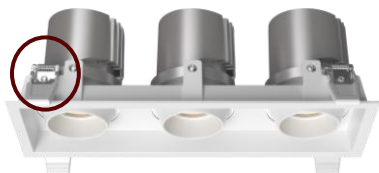


Optional

Emergency backup battery

**AE-DL-TRIA-3**  
Spring Clips

**AE-DL-TRIA-5**  
Roto-Lock Clamps



#### Accessories

- Hex louvers and soft lens.
- New construction frame kit.
- Emergency back up battery.

