

# VADOR EVOLVE



## LINEAR LED LIGHT

### Vapor Tight Linear | 2', 4' & 8'

VADOR EVOLVE Series is a LED linear fixture designed for energy efficiency in harsh environments. With adjustable power and CCT switches, it meets diverse project needs. Its integrated lens and module plate simplify installation, making it a reliable choice for industrial applications requiring dust and water resistance. It is also UL Sanitation Certified to NSF 2 Food Equipment standard for non-food zones

Applications: Parking Garage | Cold Storage | Canopy | Manufacturing | Complex Environment

	DATE	QTY	ACC. QTY	TYPE
PROJECT				
PN				
ACCESSORY PN				
NOTES				

### DYNAMIC MENU

Order Information	<a href="#">Page 2</a>
Dimensions	<a href="#">Page 3</a>
Accessories	<a href="#">Page 4</a>
Photometric Data	<a href="#">Page 6</a>

[Install Instruction link](#)

### SPECIFICATIONS

Input Voltage	120-347V		
Power Factor	>0.9		
Total Harmonic Distortion	<20%		
Dimming <a href="#">Page 4</a>	0-10V dimming		
CRI	80 CRI		
CCT	<span>35K</span> <span>40K</span> <span>50K</span>		
Efficacy	130LPW	1500 lm/ft	
Length	2'	4'	8'
Power (W)	15/20/25	38/46/54	65/75/90
Ambient Temperature Range	-40°C to 40°C		
Mounting Options			
Protection	NSF rated UL 94: 5VA flame retardancy IP66 suitable for wet location IK10 high impact resistance		
Distribution			



### PRODUCT FEATURES

- POWER SWITCHABLE
- CCT SWITCHABLE
- Motion Sensor
- Emergency Backup Battery
- IK10
- IP66
- Wet Location
- Flame Retardant
- NEMA 4X

### PRODUCT CERTIFICATIONS

- 5 YEARS WARRANTY eralux
- RoHS
- DLC LISTED PREMIUM
- DLC LISTED
- UL CERTIFIED SAFETY CA SIRETE CA E509450
- NSF

Design Lights Consortium® (DLC) qualified product. Not all versions of this product may be DLC qualified. Please check the DLC Qualified Products List at [www.designlights.org/QPL](http://www.designlights.org/QPL) to confirm which versions are qualified" [page 4](#)

### SYSTEM WARRANTY – 5 YEARS

Eralux will warrant defective drivers, LEDs and boards for 5 years from the date of purchase. This warranty is valid only if the fixture is installed and used as per installation guides and specifications. If a defect is present, Eralux will send drivers and boards at no fee with a thorough replacement instructions along with instructions on the return of the defective parts back to Eralux.

### LUMEN MAINTENANCE – L70 at 100,000 hours

Rated for 70% initial lumen output at 100,000 hours of operation, operated at 25°C ambient temperature; per guidelines published by the Illuminating Engineering Society (IES).

## LINEAR LED LIGHT

Vapor Tight Linear | 2', 4' & 8'



### ORDERING GUIDE

AE-SF-VDE	-CA		-010	-8XX	
<b>AE-SF-VDE</b> ERALUX VADOR EVOLVE Vapor tight linear light  Surface mount	<b>-CA</b> 120-347VAC	<b>-2   -25/20/15</b> 2 ft   25/20/15W 3,250/2,600/1,950 Lm <b>-4   -54/46/38</b> 4 ft   54/46/38W 7,020/5,980/4,940 Lm <b>-8   -90/75/65</b> 8 ft   90/75/65W 12,060/10,275/9,100 Lm	<b>-010</b> 0-10V Dimming	<b>-8XX</b> 80 CRI  3500/4000/5000K Switchable	<b>[BLANK]</b> No option <b>-MS</b> Microwave motion sensor <b>-EM<sup>1</sup></b> Emergency Battery Backup (8W) <b>-ME</b> Microwave motion sensor and EMBB

Fixture Family	Input Voltage	Length   Power	Dimming	CRI   CCT	Controls
----------------	---------------	----------------	---------	-----------	----------

**NOTE** 1. Emergency backup battery not available with 2 FT fixture.

**CAUTION** If there are multiple fixtures connected to the same 0-10V dimming line, a 0-10V controller must be considered to enable consistent dimming across the fixtures. Failure to do so will lead to inconsistent dimming and behaviors in the fixtures. Single switch is not recommended for controlling multiple fixtures simultaneously.



### ORDERING GUIDE - ACCESSORIES

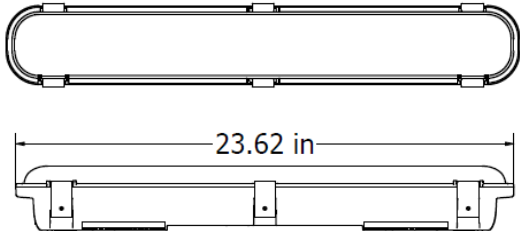
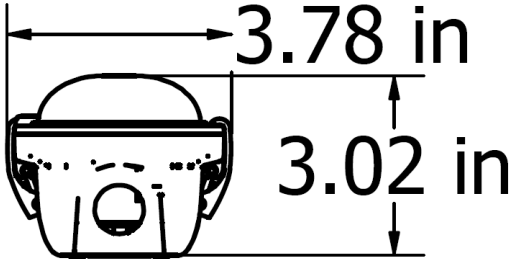
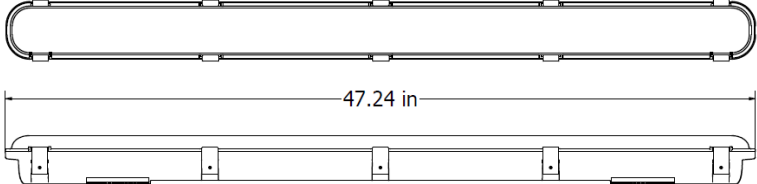
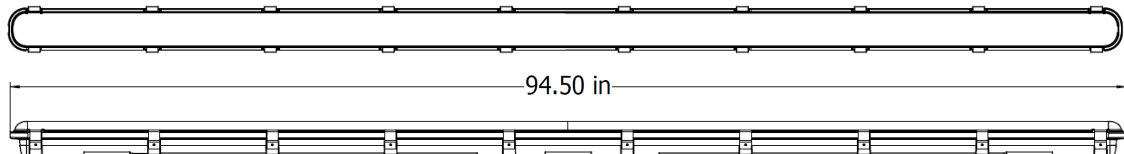
<b>AE-SF-JB</b> ERALUX VADOR EVOLVE Vapor tight linear light	<b>-CMK</b> Suspension kit aircraft cables

Fixture Family	Suspension Kit
----------------	----------------

## LINEAR LED LIGHT

Vapor Tight Linear | 2', 4' & 8'

### DIMENSIONS

SIZE	TOP/BOTTOM VIEW	SIDE VIEW
2FT		
4FT		
8FT		

## LINEAR LED LIGHT

Vapor Tight Linear | 2', 4' & 8'

DLC MODEL



DLC MODEL	PRODUCT ID	APPLICATION
AE-SF-VDE-CA-4-54/46/38-010-8XX-[MS, EM, BLANK, BOTH]	S-WTYR2W	(Direct linear ambient) – DLC
AE-SF-VDE-CA-8-90/75/65-010-8XX-[MS, EM, BLANK, BOTH]	S-KFRJMW	(High bay) – DLC Premium
AE-SF-VDE-CA-8-90/75/65-010-8XX[-MS, EM, BLANK, BOTH]	S-AXHITE	(Direct linear ambient) – DLC

### DIMMER COMPATIBILITY LIST

BRAND	MODEL	BRAND	MODEL
LUTRON	NTSTV-DV	LEVITON	IP710
	NFTV		DS710
	DVTV	LEGRAND	RH4FBL3PW
	DVSTV		

### ACCESSORIES

#### FOR SUSPENDED

Ordered separately if needed

CANOPY		
ORDER CODE	DESCRIPTION	PICTURE
AE-SF-JB-CMK	Suspension kit: Two 9.5ft aircraft cables & Two V-hooks	

## LINEAR LED LIGHT

Vapor Tight Linear | 2', 4' & 8'

### CONTROLS

#### EMERGENCY LED DRIVER



This LED Emergency Driver from Streamer is UL listed, and it is factory installed. It switches to emergency mode during power failures, providing up to 90 minutes of lighting. With an integrated battery, charger, and converter, it delivers 8W constant power at 50-180VDC. Its slim shape is ideal for use in linear strip lighting fixtures.

#### SPECIFICATIONS

<b>Input Voltage</b>	100-347Vac
<b>Power Frequency</b>	50/60HZ
<b>Output Voltage</b>	50-180VDC
<b>Output Power</b>	8W
<b>Ambient Temperature</b>	0°C to 50°C
	30°F to 122°F
<b>Installation</b>	Integrated

#### ROOM OCCUPANCY SENSOR

Ordered separately, field installed

PART NUMBER	DESCRIPTION
-------------	-------------

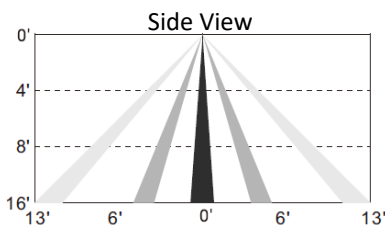
AE-SF-JB-MOTIONSENSOR	BI-Level Microwave Motion Sensor
AE-SF-JB-MOTIONSENSOR-RMT	RC102 Remote Control



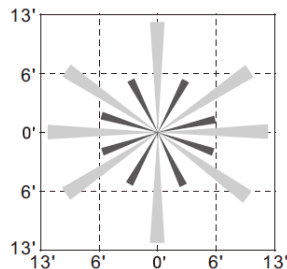
#### SPECIFICATIONS

<b>Input Voltage</b>	120-277 Vac
<b>Input Current</b>	30mA
<b>Standby Power</b>	36mW
<b>IP Rating</b>	IP20
<b>Detection Range</b>	3- 7.92 Meters
	9.8- 26 Feet
<b>Mounting Height</b>	4.87 Meters Max
	16 Feet Max
<b>Operating Temperature</b>	-30F to 131°F
	-30°C to 55°C

Zone Coverage



Top View



## LINEAR LED LIGHT

Vapor Tight Linear | 2', 4' & 8'

### LUMEN ESTIMATE

Lumen output varies based on CCT and CRI. An estimate of lumen output of the various CCT/CRI combinations, use correction factors as per table below:

#### LUMEN ESTIMATE ADJUSTMENT FACTORS

CCT	3000K	3500K	4000K	5000K
PREMIUM (90CRI)	0.94	0.97	1	1.03

### PHOTOMETRIC DATA

PART NUMBER		ZONAL LUMEN SUMMARY			POLAR LUMINOUS INTENSITY	CONE DISTRIBUTION			
AE-SF-VDE-CA-4-54/46/38-010-8XX		Zone	Lumens	% Fixture	Direct / Indirect Light	Center Beam Fc		Beam Width	
Wattage	46W	0-20°	670.86	11.90		1.7ft	<b>640 fc</b>	<b>4.3 ft</b>	<b>5.5 ft</b>
CCT	3500K	0-30°	1410.73	25.00		3.3ft	<b>170 fc</b>	<b>8.4 ft</b>	<b>10.7 ft</b>
Distribution	120°	0-40°	2285.71	40.50		5.0ft	<b>74 fc</b>	<b>12.7 ft</b>	<b>16.2 ft</b>
Length	4ft	0-60°	4000.39	70.90		6.7ft	<b>41.2 fc</b>	<b>17.0 ft</b>	<b>21.7 ft</b>
		0-80°	5113.68	90.60		8.3ft	<b>26.9 fc</b>	<b>21.0 ft</b>	<b>26.9 ft</b>
		0-90°	5365.38	95.10		10.0ft	<b>18.5 fc</b>	<b>25.3 ft</b>	<b>32.4 ft</b>
					■ Vert. Spread: 103.5° ■ Horiz. Spread: 116.6°				

PART NUMBER		ZONAL LUMEN SUMMARY			POLAR LUMINOUS INTENSITY	CONE DISTRIBUTION			
AE-SF-VDE-CA-4-54/46/38-010-8XX		Zone	Lumens	% Fixture	Direct / Indirect Light	Center Beam Fc		Beam Width	
Wattage	46W	0-20°	686.06	11.8		1.7ft	<b>655 fc</b>	<b>4.3 ft</b>	<b>5.6 ft</b>
CCT	4000K	0-30°	1443.27	24.9		3.3ft	<b>174 fc</b>	<b>8.4 ft</b>	<b>10.8 ft</b>
Distribution	120°	0-40°	2340.3	40.4		5.0ft	<b>75.7 fc</b>	<b>12.7 ft</b>	<b>16.4 ft</b>
Length	4ft	0-60°	4101.8	70.7		6.7ft	<b>42.1 fc</b>	<b>17.1 ft</b>	<b>21.9 ft</b>
		0-80°	5248.53	90.5		8.3ft	<b>27.5 fc</b>	<b>21.1 ft</b>	<b>27.2 ft</b>
		0-90°	5508.31	95		10.0ft	<b>18.9 fc</b>	<b>25.5 ft</b>	<b>32.7 ft</b>
					■ Vert. Spread: 103.7° ■ Horiz. Spread: 117.1°				

PART NUMBER		ZONAL LUMEN SUMMARY			POLAR LUMINOUS INTENSITY	CONE DISTRIBUTION			
AE-SF-VDE-CA-4-54/46/38-010-8XX		Zone	Lumens	% Fixture	Direct / Indirect Light	Center Beam Fc		Beam Width	
Wattage	46W	0-20°	688.21	11.80		1.7ft	<b>657 fc</b>	<b>4.4 ft</b>	<b>5.6 ft</b>
CCT	5000K	0-30°	1448.59	24.90		3.3ft	<b>174 fc</b>	<b>8.4 ft</b>	<b>10.8 ft</b>
Distribution	120°	0-40°	2349.84	40.30		5.0ft	<b>75.9 fc</b>	<b>12.8 ft</b>	<b>16.3 ft</b>
Length	4ft	0-60°	4120.78	70.80		6.7ft	<b>42.3 fc</b>	<b>17.2 ft</b>	<b>21.9 ft</b>
		0-80°	5273.34	90.50		8.3ft	<b>27.6 fc</b>	<b>21.2 ft</b>	<b>27.1 ft</b>
		0-90°	5533.85	95		10.0ft	<b>19 fc</b>	<b>25.6 ft</b>	<b>32.6 ft</b>
					■ Vert. Spread: 104.0° ■ Horiz. Spread: 117.0°				

PART NUMBER		ZONAL LUMEN SUMMARY			POLAR LUMINOUS INTENSITY	CONE DISTRIBUTION			
AE-SF-VDE-CA-8-90/75/65-010-8XX		Zone	Lumens	% Fixture	Direct / Indirect Light	Center Beam Fc		Beam Width	
Wattage	90W	0-20°	1429.81	11.9		1.7ft	<b>1366 fc</b>	<b>4.3 ft</b>	<b>5.5 ft</b>
CCT	4000K	0-30°	3007.18	24.9		3.3ft	<b>363 fc</b>	<b>8.4 ft</b>	<b>10.7 ft</b>
Distribution	120°	0-40°	4874.58	40.4		5.0ft	<b>158 fc</b>	<b>12.7 ft</b>	<b>16.2 ft</b>
Length	8ft	0-60°	8538.46	70.8		6.7ft	<b>87.9 fc</b>	<b>17.0 ft</b>	<b>21.8 ft</b>
		0-80°	10922.6	90.6		8.3ft	<b>57.3 fc</b>	<b>21.1 ft</b>	<b>27.0 ft</b>
		0-90°	11464.12	95.1		10.0ft	<b>39.5 fc</b>	<b>25.4 ft</b>	<b>32.5 ft</b>
					■ Vert. Spread: 103.5° ■ Horiz. Spread: 116.8°				

## LINEAR LED LIGHT

Vapor Tight Linear | 2', 4' & 8'

### OVERVIEW



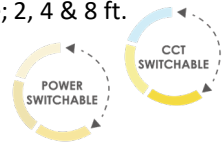
#### Innovative Design

- High-impact polycarbonate housing with the highest UL 94 rating for flame retardancy.
- Stainless steel latches.
- Frosted polycarbonate lens



#### Multiple Options

- Three standard length available; 2, 4 & 8 ft.
- Three CCT switchable
- Three power tunable options



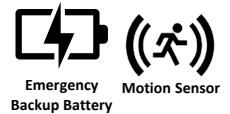
#### Protections

- IP66; completely protected from dust, and high-pressure water jets from any direction.
- 5VA flame classification material; it has the highest UL 94 rating for flame retardancy
- UL Sanitation Certified to NSF 2 Food Equipment standard for non-food zones
- Durable high impact IK10 optical lens and housing



#### Accessories

- Suspension kit
- Emergency backup battery
- Motion sensor



#### Mountings Available

- Suspended
- Surface mount



#### Tests And Certifications

