

# VADOR SERIES

## LINEAR FIXTURES

Tri-proof Linear Fixture



The Vador Series is an energy-efficient and economical LED linear fixture designed for harsh environment and industrial suited applications where dust and water resistance are necessary. This fixture is designed with the highest quality polycarbonate casing that features a unique continuous poured gasket that seals the channel ensuring seal integrity.

DATE					
PROJECT NAME					
TYPE					
QTY					
ORDERING CODE	AE-SF-VD			-FR	-

### OPERATING & ELECTRICAL

INPUT VOLTAGE	120-347V
POWER FACTOR	>0.9
DIMMING	0-10V
TOTAL HARMONIC DISTORTION (THD)	<20%

### PERFORMANCE

LUMENS PER WATT	>130 LPW at 80 CRI 4000K
POWER	40W 54W 80W 100W
BEAM ANGLE	120°

### MECHANICAL & HOUSING

HOUSING	High-strength V0 fire retardant polycarbonate housing for superior heat dissipation, strength, and rigidity. Stainless steel snap in fasteners.
LENS	UV resistant, polycarbonate lens casing and high transmittance lens
POWER SUPPLY	Factory wired electronic LED driver
LED BOARD	Discrete LED

### APPLICATION CONDITION

AMBIENT TEMPERATURE RANGE	-40°C to 50°C
PROTECTION	IP66 IK10

### COMPATIBLE MOUNTING

MOUNTING	Surface Suspended
----------	----------------------

### WARRANTY

#### SYSTEM WARRANTY – 5 YEARS

Eralux will warrant defective drivers, LEDs and boards for 5 years from the date of purchase. This warranty is valid only if the fixture is installed and used as per installation guides and specifications. If a defect is present, Eralux will send drivers and boards at no fee with a thorough replacement instructions along with instructions on the return of the defective parts back to Eralux.

#### LUMEN MAINTENANCE – L8 at 50,000 hours

Rated for 80% initial lumen output at 50,000 hours of operation, operated at 25°C ambient temperature; per guidelines published by the Illuminating Engineering Society (IES).

# VADOR SERIES

LINEAR FIXTURES

Tri-proof Linear Fixture

DATE	
PROJECT NAME	
TYPE	
QTY	
ORDERING CODE	AE-SF-VD      -FR      -

## ORDERING GUIDE

EXAMPLE: AE-SF-VDUV044035K-FR-D

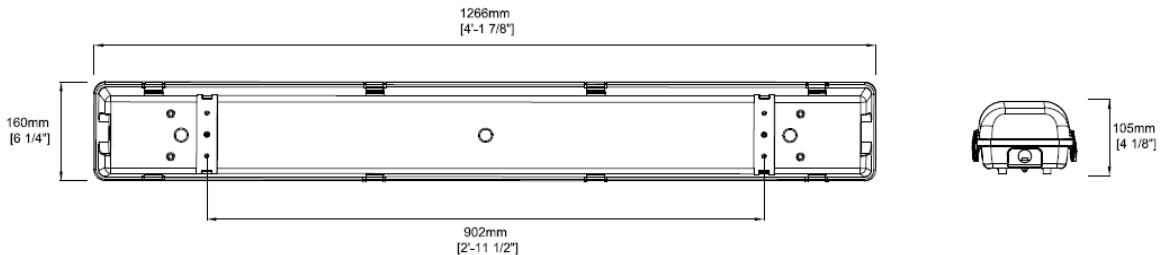
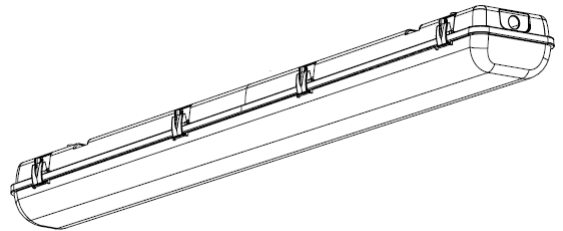
FIXTURE FAMILY	INPUT VOLTAGE	SIZE & POWER	CRI & CCT	LENS	CONTROLS
<b>AE-SF-VD</b>				<b>-FR</b>	
<b>AE-SF-VD</b> Vador Series Tri proof linear fixture	<b>UV</b> 120-277Vac input voltage range	<b>0440</b> 4FT – 40 watts: 5200 lumens	<b>35K</b> 80 CRI & 3500K CCT	<b>-FR</b> Frosted polycarbonate lens	<b>-D</b> 0-10V external dimming (down to 10%)
	<b>HV</b> 120-347Vac input voltage range	<b>0454</b> 4FT – 54 watts: 7020 lumens	<b>40K</b> 80 CRI & 4000K CCT		<b>-EMBB</b> 8-watt emergency battery backup factory installed <b>*only for UV model</b>
			<b>50K</b> 80 CRI & 5000K CCT		

CAUTION: If there are multiple fixtures connected to the same 0-10V dimming line, a 0-10V controller must be considered to enable consistent dimming across the fixtures. Failure to do so will lead to inconsistent dimming and behaviors in the fixtures. Single switch is not recommended for controlling multiple fixtures simultaneously.

## PRODUCT DIMENSIONS

### AE-SF-VD04

Weight: 13.2Kg



## ACCESSORIES

Ordered separately, field installed

### WIRE ROPE SUSPENSION KIT

AE-WL-VL-WRS-5T

5FT wire suspension cable kit for suspended mounting

# VADOR SERIES

LINEAR FIXTURES

Tri-proof Linear Fixture

DATE					
PROJECT NAME					
TYPE					
QTY					
ORDERING CODE	AE-SF-VD				-FR -

## LUMEN ESTIMATE

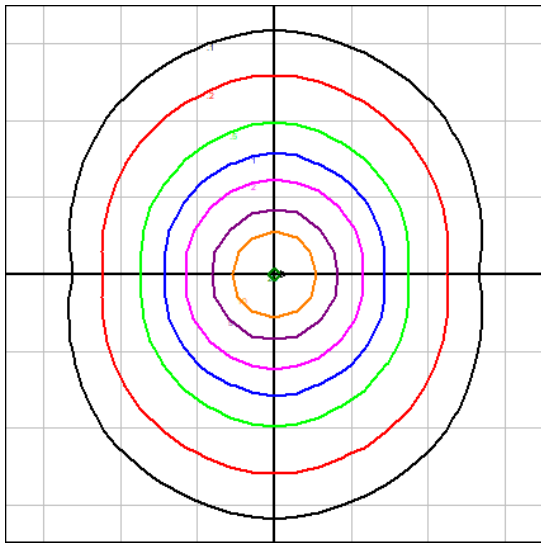
Lumen output varies based on CCT and CRI. An estimate of lumen output of the various CCT/CRI combinations, use correction factors as per table below:

LUMEN ESTIMATE ADJUSTMENT FACTORS				
CCT	3500K	4000K	5000K	
NORMAL (80CRI)	0.97	1	1.03	

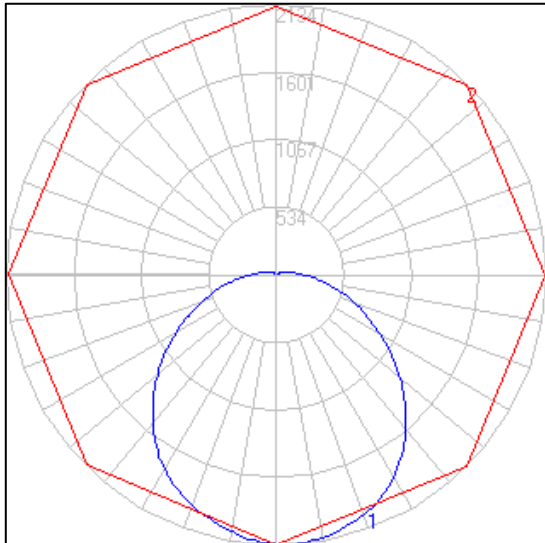
## PHOTOMETRIC DATA

AE-SF-VDUV045440K-FR-D

**GRID DISTANCES WITH A MOUNTING HEIGHT OF 10' AFG**



**POLAR LUMINOUS INTENSITY GRAPHS**



# VADOR SERIES

LINEAR FIXTURES

Tri-proof Linear Fixture

DATE					
PROJECT NAME					
TYPE					
QTY					
ORDERING CODE	AE-SF-VD				-FR

## OVERVIEW



### TRI-PROOF STRUCTURE

IK10 impact resistant, IP66 rated suitable for wet locations. All polycarbonate ensures strength of fixture structure while providing elegant look and finish.

### SIMPLE DESIGN

Simple mounting bracket accessory included with fixture allows for suspended mounting or surface mounting.

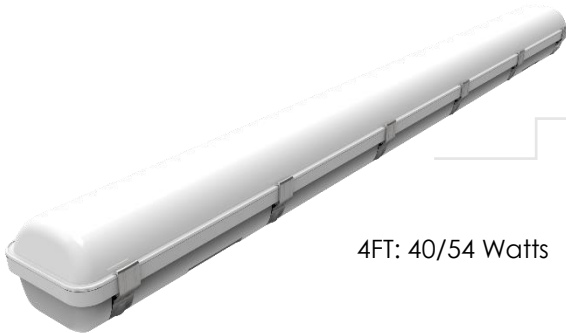
### CLOSING CLASPS

Stainless steel, easy-to-use housing clips ensure waterproofing and LED fixture function.

### STRONG COMPONENTS

Metal fixed terminals for secure installation and fixture rigidity.

Front & Back



4FT: 40/54 Watts



IP 66	IK 10
-------	-------

