

VERSA EVOLVE

LED COMMERCIAL DOWNLIGHT

Recessed Downlight



eralux[®]



Introducing the new VERSA EVOLVE series, with its ability to direct light to the right place every time. Its adjustable beam fits to 25° and the 40° beam angle will light up your spaces with an even higher lumen output. With its five CCT selectable option, the VERSA EVOLVE's versatility will be the perfect downlight for indoors.

DATE	
PROJECT NAME	
TYPE	
QTY	
ORDERING CODE	AE-DL-VS-4- 12W- TRIAC-P27/30/35/40/50

OPERATING & ELECTRICAL

INPUT VOLTAGE	120 V
POWER FACTOR	0.9
DIMMING	Triac dimming 10%-100%
TOTAL HARMONIC DISTORTION (THD)	<20%

PERFORMANCE

LUMENS PER WATT	Up to 85 LPW
POWER CONSUMPTION	12W
ANGLES	~40° Beam Angle ~25° Tilt Angle

MECHANICAL & HOUSING

HOUSING	Formed steel
LENS	Highly durable polycarbonate lens and high transmittance lens
FINISH	White powder coat finish
POWER SUPPLY	Factory wired electronic LED driver
SPRING	Stainless steel spring-action clips

APPLICATION CONDITION

AMBIENT TEMPERATURE RANGE	-20 °C to 45°C
PROTECTION	Wet location rated IC rated

COMPATIBLE MOUNTING

MOUNTING	New construction or retrofit Mounted with stainless steel spring-action housing clips
----------	--

WARRANTY

SYSTEM WARRANTY – 5 YEARS

Eralux will warrant defective drivers, LEDs and boards for 5 years from the date of purchase. This warranty is valid only if the fixture is installed and used as per installation guides and specifications. If a defect is present, Eralux will send drivers and boards at no fee with a thorough replacement instructions along with instructions on the return of the defective parts back to Eralux.

LUMEN MAINTENANCE – L70 at 50,000 hours

Rated for 70% initial lumen output at 50,000 hours of operation, operated at 25°C ambient temperature; per guidelines published by the Illuminating Engineering Society (IES)

VERSA EVOLVE

LED COMMERCIAL DOWNLIGHT

Recessed Downlight

DATE			
PROJECT NAME			
TYPE			
QTY			
ORDERING CODE	AE-DL-VS-4-	12W-	TRIAC-P27/30/35/40/50

ORDERING GUIDE

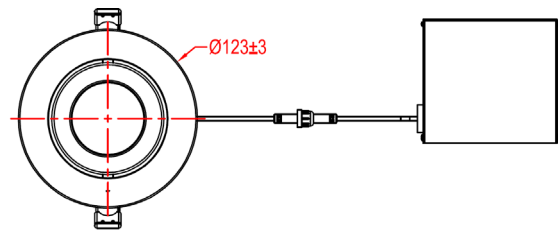
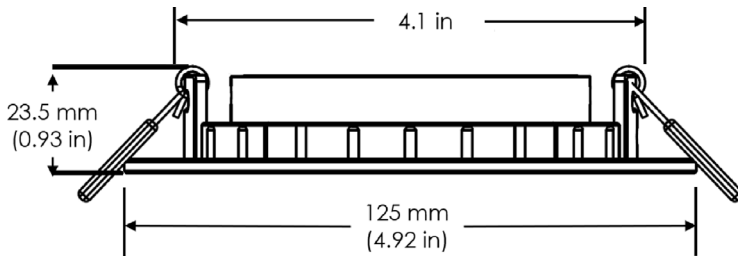
EXAMPLE: AE-DL-VS-4-12W-TRIAC-P27/30/35/40/50

FIXTURE FAMILY	SHAPE & SIZE	POWER	CONTROLS	CCT
AE-DL-VS-	4-	12 W-	TRIAC-	P27/30/35/40/50
ERALUX VERSA Series recessed downlight	4" Round housing	12W- 12W: 1,000 lumens	TRIAC- Triac dimming	P27/30/35/40/50

PRODUCT DIMENSIONS

AE-DL-VS-4-12W-TRIAC-P27/30/35/40/50

AE-DL-VS-4-12W-TRIAC-P27/30/35/40/50



VERSA EVOLVE

LED COMMERCIAL DOWNLIGHT

Recessed Downlight

DATE			
PROJECT NAME			
TYPE			
QTY			
ORDERING CODE	AE-DL-VS-4-	12W-	TRIAC-P27/30/35/40/50

ACCESSORIES

Ordered separately, field installed

NEW CONSTRUCTION UNIVERSAL FRAME KIT

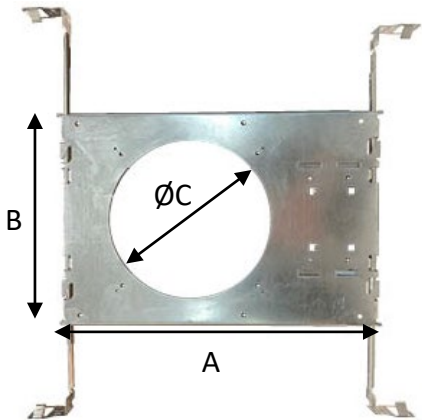


MATERIAL 22-gauge galvanized steel housing.

MOUNTING T-bar or drywall ceilings
Up to 1.5" thick

Ordering Code AE-DL-FRKT-04-UNV

FRAME KIT DIMENSIONS



DIMENSIONS

	A	
4" Round	A	12.75" [324 mm]
	B	8.63" [219 mm]
	C	Ø 4.50" [114 mm]
6" Round	A	12.75" [324mm]
	B	8.63" [219 mm]
	C	Ø 6.37" [162 mm]
8" Round	A	12.75" [324mm]
	B	8.63" [219 mm]
	C	Ø 7.25" [184 mm]

DATE			
PROJECT NAME			
TYPE			
QTY			
ORDERING CODE	AE-DL-VS-4-	12W-	TRIAC-P27/30/35/40/50

ACCESSORIES (Continued)

Ordered separately, field installed

EMERGENCY LED DRIVER (BLD-HMXXD-YYY)

BLD-HM8D-YYY

OUTPUT POWER : 8 WATTS

BLD-HM25D-YYY

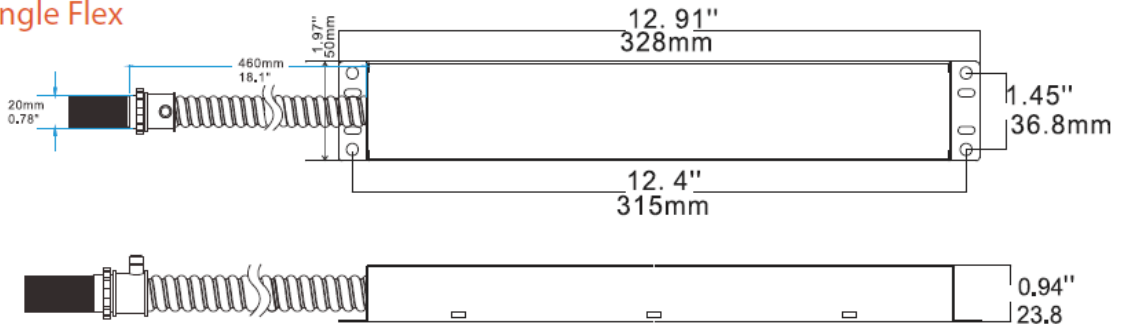
OUTPUT POWER : 25 WATTS



BLD-HMXXD-YYY series LED Emergency Driver is UL listed for field and factory installation that allows the same LED fixture to be used for both normal and emergency operation . In the event of a power failure , the emergency driver switches to emergency mode and operates the existing. Fixture to 90 minutes. The unit contains a battery , charge , and converter circuit in a single enclosure .This module will operate an LED array load at 6-25W with constant power at a rated output voltage of 170VDC. The constant power design of BLD-HMXXD-YYY maintains the output wattage to LED array, providing consistent illumination for entire emergency runtime. Ideal for use with most 0-10V dimmable indoor commercial LED lighting fixtures, such as LED flat panel, troffer, downlight and suspension mounting LED linear strip lights, etc.

DIMENSIONS (inches and mm)

Single Flex



VERSA EVOLVE

LED COMMERCIAL DOWNLIGHT

Recessed Downlight

DATE			
PROJECT NAME			
TYPE			
QTY			
ORDERING CODE	AE-DL-VS-4-	12W-	TRIAC-P27/30/35/40/50

LUMEN ESTIMATE

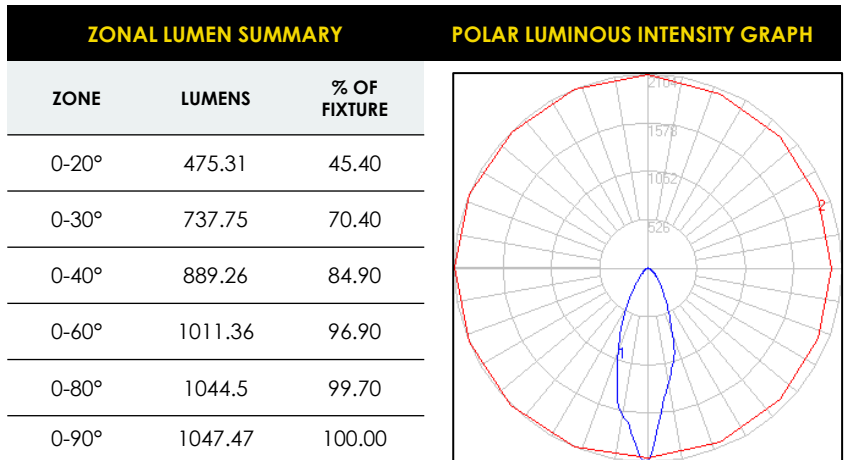
Lumen output varies based on CCT and CRI. An estimate of lumen output of the various CCT/CRI combinations, use correction factors as per table below:

LUMEN ESTIMATE ADJUSTMENT FACTORS				
CCT	2700K	3000K	3500K	4000K
NORMAL	0.97	1	1.03	1.05

PHOTOMETRIC DATA

AE-DL-VS-4-12W-TRIAC-P27/30/35/40/50

12 Watts



VERSA EVOLVE

LED COMMERCIAL DOWNLIGHT

Recessed Downlight

DATE			
PROJECT NAME			
TYPE			
QTY			
ORDERING CODE	AE-DL-VS-4-	12W-	TRIAC-P27/30/35/40/50

OVERVIEW



SPRING-ACTION CLIPS

The Versa Evolve uses spring action clips to mount the recessed fixture.

CCT SELECTABLE

One downlight offers five different CCT options (P27/30/35/40/50).

FLEXIBLE HEADS

The adjustable head offers freedom of directing light to almost any angle at a 25° tilt, aiming the light to desired place to light up specific environment.

