

# VERSA SQUARE

## LED COMMERCIAL DOWNLIGHT

### Recessed Downlight | 4" Square | Adjustable Tilt

Introducing the new VERSA Square series, with its ability to direct light to the right place every time. Its adjustable beam tilts to 25° and the 40° beam angle will light up your spaces with an even higher lumen output. The VERSA EVOLVE's versatility will be the perfect downlight for indoors.

Applications: Office | Retail stores | Hotels | Restaurants | Home interior | Library Etc.

	DATE	QTY	ACC. QTY	TYPE
PROJECT				
PN				
ACCESSORY PN				
NOTES				



### DYNAMIC MENU

Order Information	<a href="#">Page 2</a>
Dimensions	<a href="#">Page 3</a>
Accessories	<a href="#">Page 4</a>
Photometric Data	<a href="#">Page 5</a>

[Install Instruction link](#)

### SPECIFICATIONS

Input Voltage	120V
Power Factor	>0.9
Total Harmonic Distortion	<20%
Dimming	0-10V Dimming
CRI	90
CCT	35K
Efficacy	~85 LPW
Size	4 inch
Power	18W
Ambient Temperature Range	-20°C to 45°C
Mounting Accessories	New construction   Retrofit
Trim Finish	Matte white
Reflector Finish	Matte White
Tilt Angle	±25°

Distribution



### PRODUCT FEATURES



### PRODUCT CERTIFICATIONS



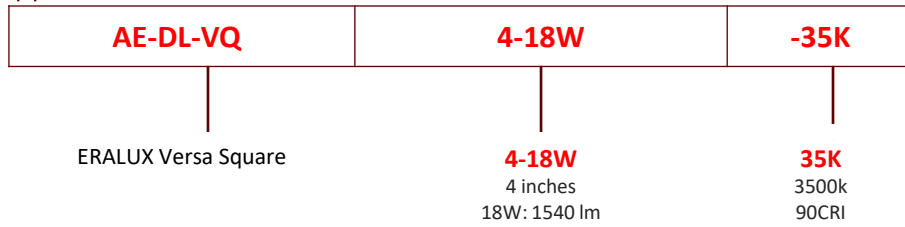
### SYSTEM WARRANTY – 5 YEARS

Eralux will warrant defective drivers, LEDs and boards for 5 years from the date of purchase. This warranty is valid only if the fixture is installed and used as per installation guides and specifications. If a defect is present, Eralux will send drivers and boards at no fee with a thorough replacement instructions along with instructions on the return of the defective parts back to Eralux.

### LUMEN MAINTENANCE – L70 at 50,000 hours

Rated for 70% initial lumen output at 50,000 hours of operation, operated at 25°C ambient temperature; per guidelines published by the Illuminating Engineering Society (IES).

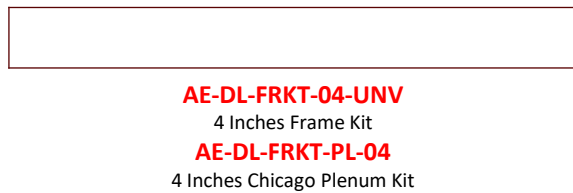
### ORDERING GUIDE



Fixture Family	Size & Power	CCT & CRI
----------------	--------------	-----------

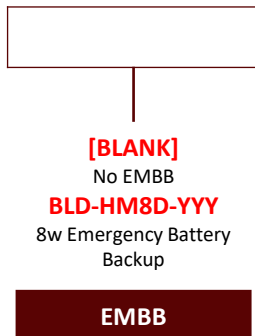
**NOTES** Remote Driver / Junction Box is included

### ORDERING GUIDE – FRAME KIT



Frame Kit
-----------

### ORDERING GUIDE – EMBB



**NOTES** The Emergency Battery Back up is inserted into the ceiling cut Field Installed

# VERSA SQUARE

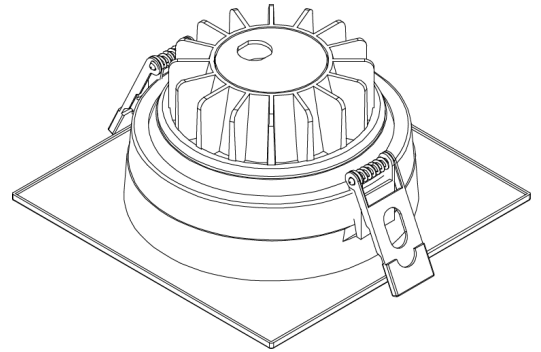
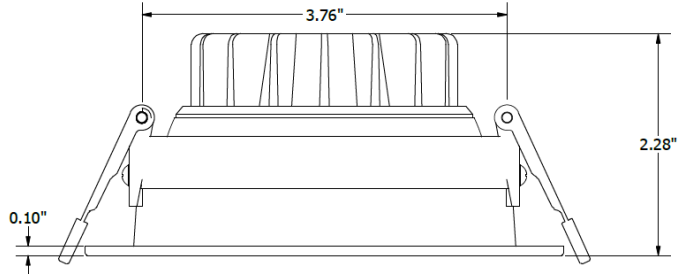
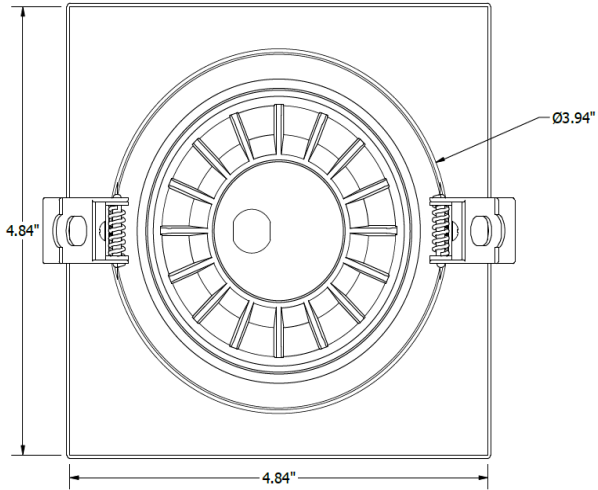
## LED COMMERCIAL DOWNLIGHT

Recessed Downlight | 4" Square | Adjustable Tilt

### DIMENSIONS

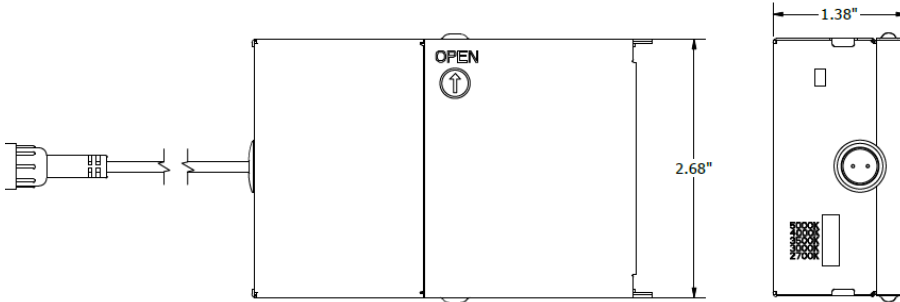
#### VERSA SQUARE

#### AE-DL-SL-04-XX



Ceiling cut-out:  
3.76" – 3.85"

#### JUNCTION BOX



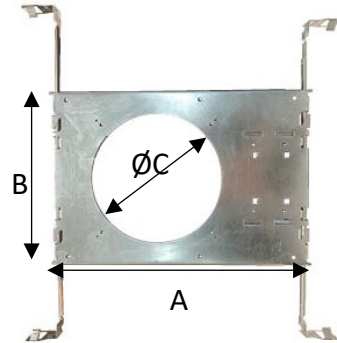
### ACCESSORIES

Ordered separately, field installed.

#### NEW CONSTRUCTION UNIVERSAL FRAME KIT

SPECIFICATIONS	
<b>MATERIAL</b>	22-gauge galvanized steel housing
<b>MOUNTING</b>	T Grid Ceiling
	Gypsum Ceiling
	Maximum Thickness ~1.5"
<b>LENGTH (A)</b>	12.75"
<b>WIDTH (B)</b>	8.63"

OPENING SIZE			
ORDERING CODE	SIZE	SHAPE	C
AE-DL-FRKT-04-UNV	4"	Round	Ø 4.5"



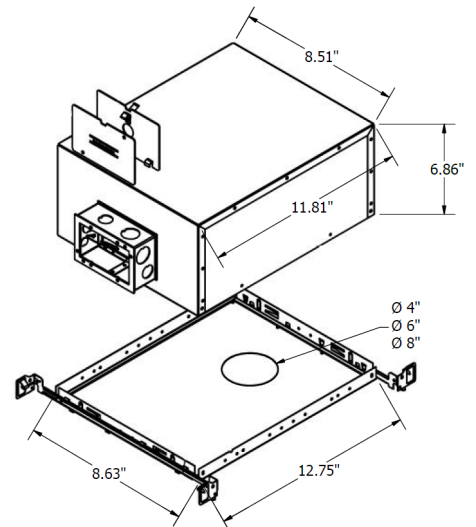
#### CHICAGO PLENUM

SPECIFICATIONS	
<b>MATERIAL</b>	27-gauge galvanized steel frame Galvanized steel junction box with gasket
<b>MOUNTING</b>	T-bar or drywall ceilings Up to 1.5" thick

OPENING SIZE		
ORDERING CODE	SIZE	SHAPE
AE-DL-FRKT-PL-04	4"	Round

#### COMPONENTS

- Chicago Plenum External Cover
- Chicago Plenum Internal Cover
- Chicago Plenum I.C. Box
- Chicago Plenum 4-inch Plaster Frame
- Chicago Plenum 6-inch Plaster Frame
- Chicago Plenum 8-inch Plaster Frame
- Chicago Plenum Suspension Bars (2 sets)



### CONTROLS

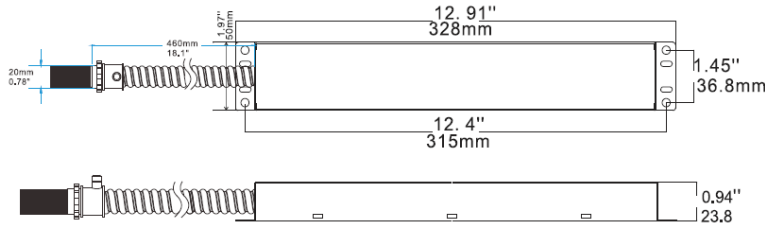
Ordered separately, field installed

### EMERGENCY LED DRIVER

BLD-HM8D-YYY



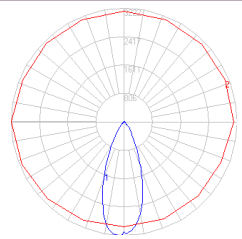
The BLD-HMXXD-YYY series LED Emergency Driver is UL listed for field and factory installations. It switches to emergency mode during power failures, providing up to 90 minutes of lighting. With an integrated battery, charger, and converter, it delivers 6-25W constant power at 170VDC. Ideal for 0-10V dimmable indoor commercial LED fixtures, such as flat panels, troffers, downlights, and linear strip lights.



SPECIFICATIONS	
Input Voltage	100-347 Vac
Power Frequency	50/60HZ
Input Power	8W max
Output Voltage	170V Dc
Output Power	8W
Ambient Temperature	0°C to 50°C
	30°F to 122°F
Installation	Remote

### PHOTOMETRIC DATA

PART NUMBER		ZONAL LUMEN SUMMARY			POLAR LUMINOUS INTENSITY
AE-DL-VQ-4-18W-35K		Zone	Lumens	% Fixture	Direct Light
Wattage	18W	0-20°	868.91	53.6	
CCT	3500K	0-30°	1293.75	79.8	
Distribution	40°	0-40°	1495.15	92.2	
Lumens	1604.3	0-60°	1591	98.1	
		0-80°	1603.98	98.9	
		0-90°	1604.3	98.9	



### OVERVIEW



#### Innovative Design

- The Recessed downlight is Adjustable head offers freedom of directing light almost any angle at 25° tilt, aiming the light to desired place to light up specific environment



#### Mounting Available

- Durable stainless steel spring action housing clips for retrofit installations or purchase with the new construction frame kit for new constructions



#### Accessories

- New construction frame kit
- Emergency back up battery



#### Tests And Certifications

