

ZEUS

OUTDOOR LED LIGHT

Stadium Light | 480W – 600W

The Zeus Series LED luminaire is designed to show off your stadium and athletic field lighting needs. It offers a superior efficacy of up to 130 LPW with multiple CCT and beam angle variations at both 120-277V, and 277-480V. Its bracket mount, optional visor, and laser positioning tool will allow you to be able to focus the light resulting in optimal results. Applications: Stadium | Football Field | Tennis Court | Baseball Field | Outdoor theater

eralux®

	DATE	QTY	ACC. QTY	TYPE
PROJECT				
PN				
ACCESSORY PN				
NOTES				




DYNAMIC MENU

Order Information	Page 2
Dimensions	Page 3
Accessories	Page 7
Photometric Data	Page 4

[Install Instruction link](#)

SPECIFICATIONS

Input Voltage	120-277V 277-480V
Power Factor	>0.92
Total Harmonic Distortion	<20%
Dimming Page 5	0-10V dimming
CRI	70 CRI
CCT	<div style="display: flex; gap: 10px;"> <div style="border: 1px solid black; border-radius: 50%; padding: 2px 5px;">40K</div> <div style="border: 1px solid black; border-radius: 50%; padding: 2px 5px;">50K</div> </div>
Efficacy	130 lm/W at 12° 160 lm/W at 30° 160 lm/W at 55°
Power	480 600W
Ambient Temperature Range	-30°C to 50°C
Mounting Options	U Bracket
Mounting Brackets	90° adjustable U bracket
Fixture Finish	Black 
Protection	IP66; water and dust resistance IK08; impact resistance 10KV surge protector
Beam Angle	12° 30° 55°



PRODUCT FEATURES



PRODUCT CERTIFICATIONS



SYSTEM WARRANTY – 5 YEARS

Eralux will warrant defective drivers, LEDs and boards for 5 years from the date of purchase. This warranty is valid only if the fixture is installed and used as per installation guides and specifications. If a defect is present, Eralux will send drivers and boards at no fee with a thorough replacement instructions along with instructions on the return of the defective parts back to Eralux.

LUMEN MAINTENANCE – L90 at 53,000 hours

Rated for 90% initial lumen output at 53,000 hours of operation, operated at 25°C ambient temperature; per guidelines published by the Illuminating Engineering Society (IES).

OUTDOOR LED LIGHT

Stadium Light | 480W – 600W



ORDERING GUIDE

AE-SP-ZS		-010			
AE-SP-ZS ERALUX ZEUS Series LED Stadium Light Fixture	-480 480W 62,400lm @ 12° 76,800 lm @ 30° 76,800 lm @ 55°	-010 1-10V Dimming	UV 100-277V HV 277-480V	-4000K 4000K -5000K 5000K	12 12° 30 30° 55 55°
	-600 600W 78,000 lm @ 12° 96,000 lm @ 30° 96,000 lm @ 55°				

Fixture Family	Power	Controls	Input Voltage	CCT	Beam Angle
-----------------------	--------------	-----------------	----------------------	------------	-------------------

NOTES

- The beam angle affects the lumen output at a specific Power.



ORDERING GUIDE - ACCESSORIES

AE-OD-SP-ZS ERALUX ZEUS Outdoor Stadium Light	-VS Visor -LASER Laser pointer

Accessory Family	Accessory
-------------------------	------------------

NOTES

- Ordered Separately

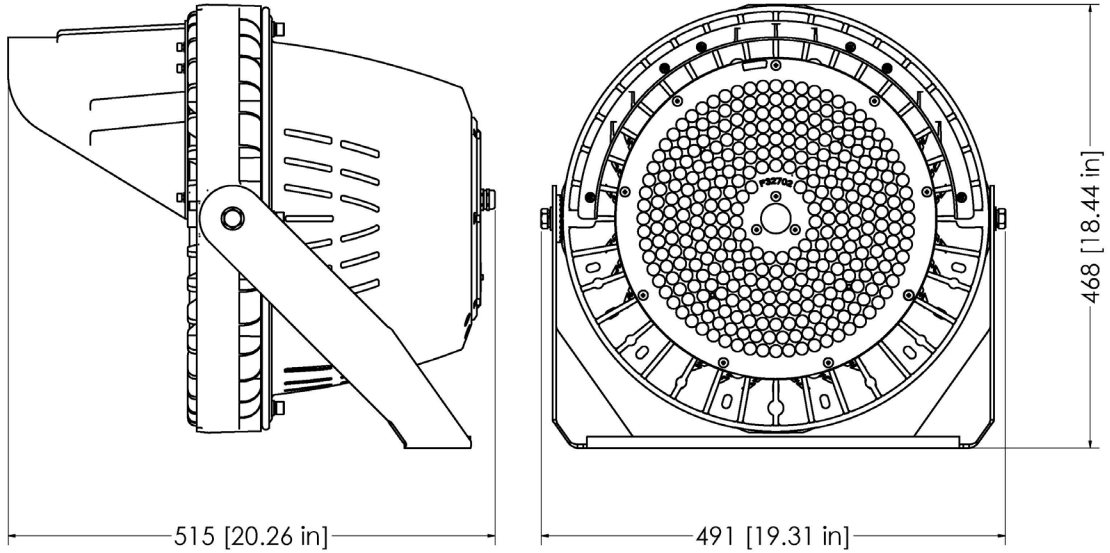
OUTDOOR LED LIGHT

Stadium Light | 480W – 600W

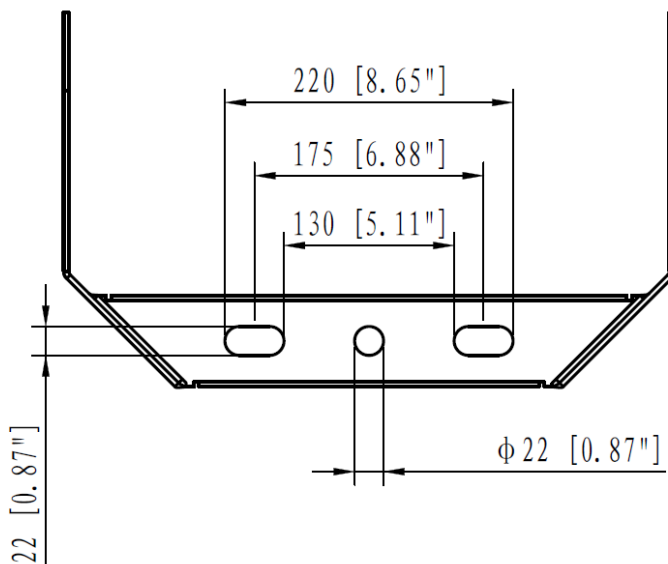
DIMENSIONS

AE-SP-ZS-XX-010-X-XXX

480W & 600W



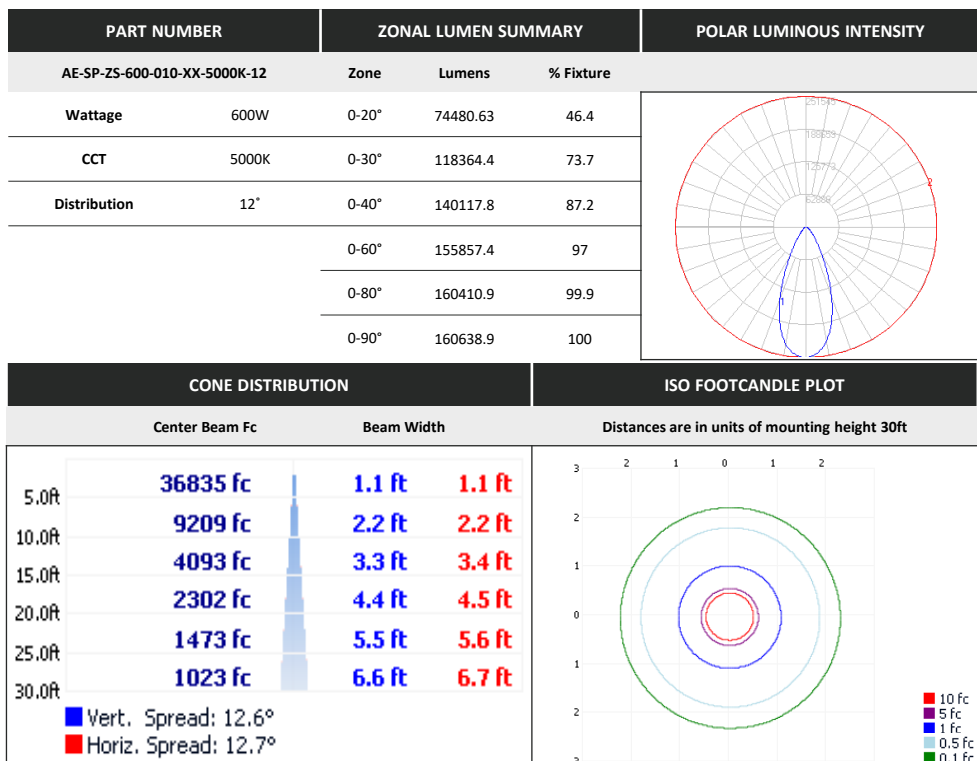
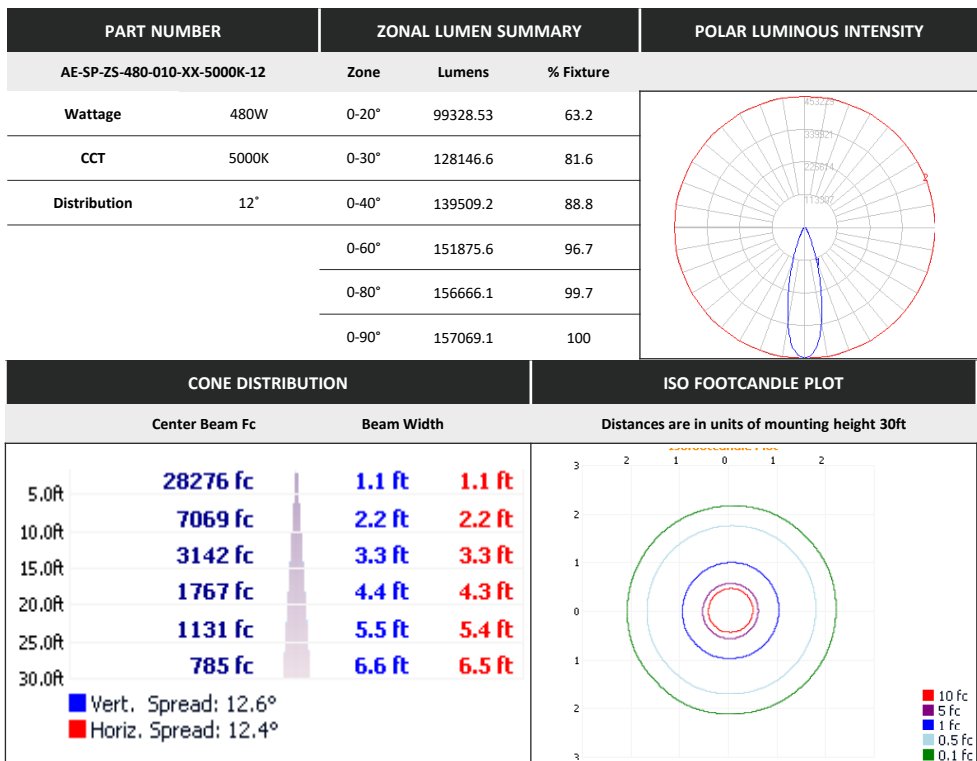
Drilling Pattern



OUTDOOR LED LIGHT

Stadium Light | 480W – 600W

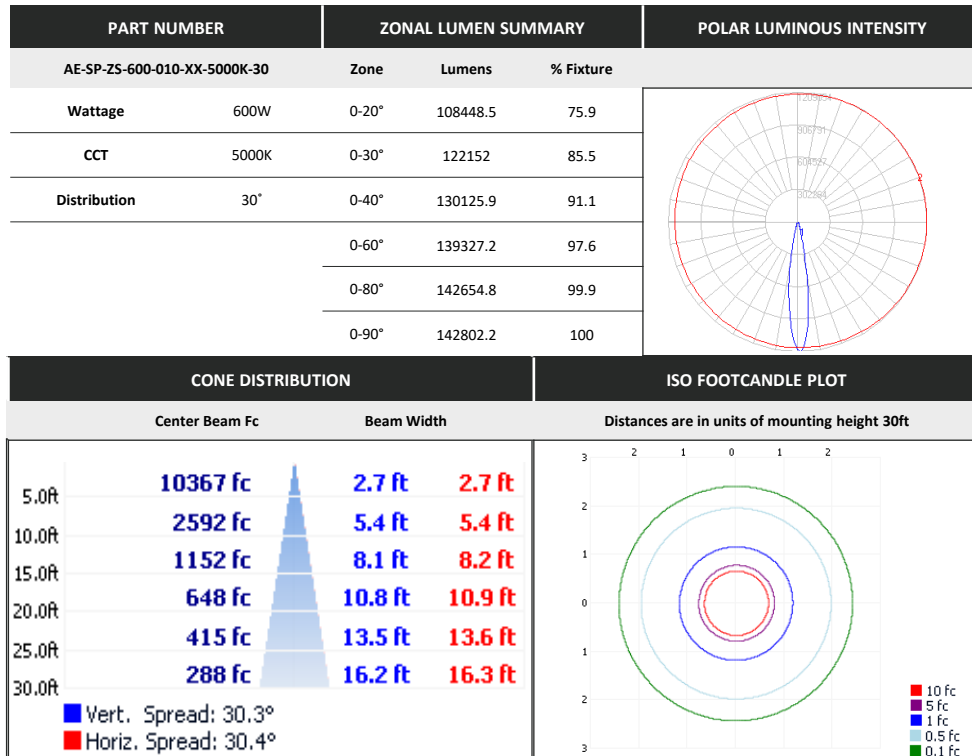
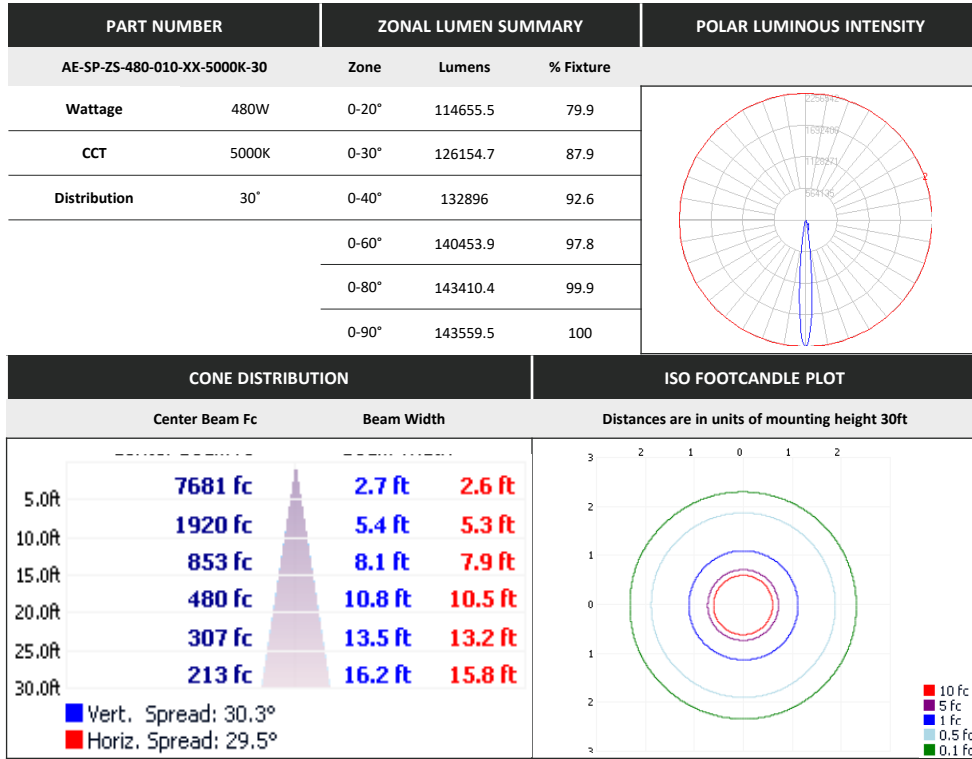
PHOTOMETRIC DATA



OUTDOOR LED LIGHT

Stadium Light | 480W – 600W

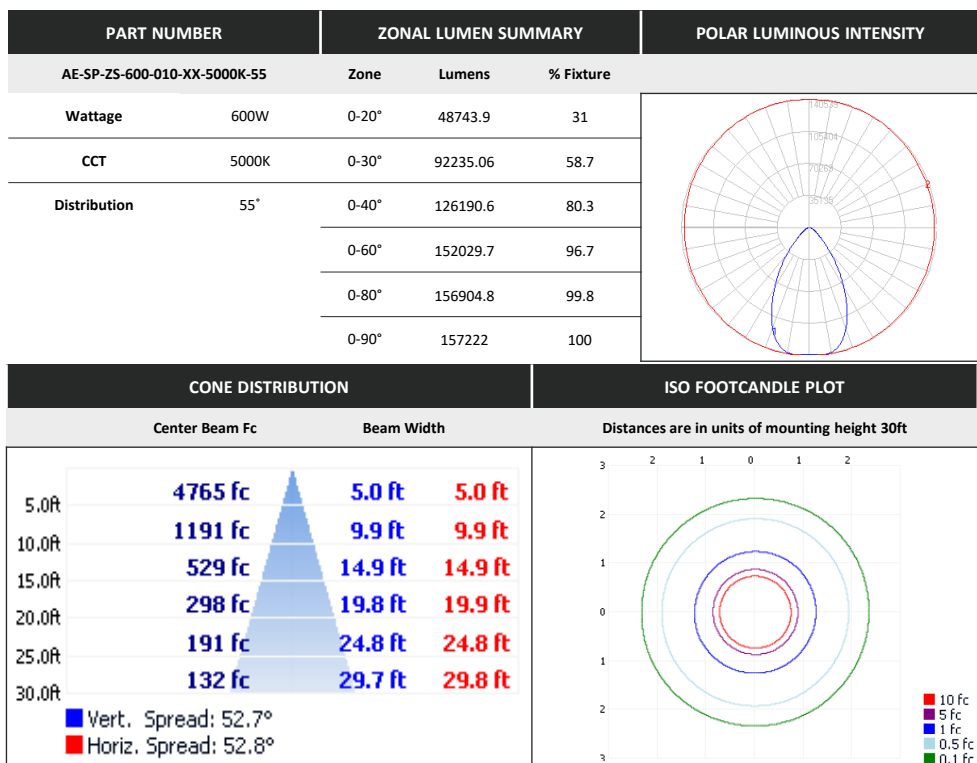
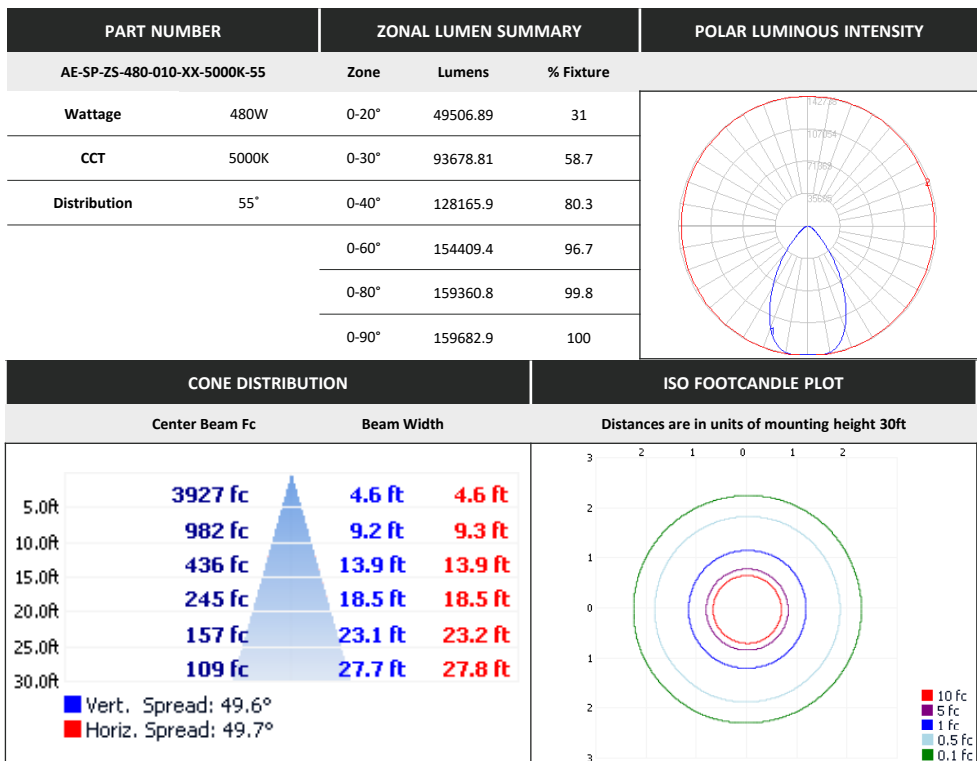
PHOTOMETRIC DATA



OUTDOOR LED LIGHT

Stadium Light | 480W – 600W

PHOTOMETRIC DATA



OUTDOOR LED LIGHT

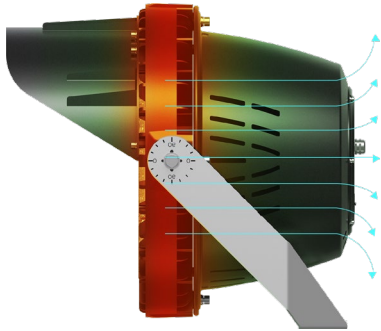
Stadium Light | 480W – 600W

OVERVIEW



Innovative Design

- Aluminum die cast housing and fins for better heat dissipation
- Highly robust polycarbonate and high transmittance lens



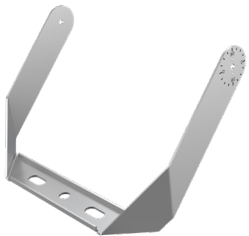
Multiple Options

- Two different powers from 480 / 600W
- Visor
- Laser pointer
- 2 CCT Options are available 4000K & 5000K



Brackets

- U – Bracket; 90° adjustable tilt



Distribution

- 12° | 30° | 55°



Tests And Certifications



Protection



- Protected against dust ingress.
- Protected against water jets
- Impact resistant
- 10KV surge protector