

# ZEUS

## OUTDOOR LED LIGHT

### Stadium Light | 480W – 600W

The Zeus Series LED luminaire is designed to show off your stadium and athletic field. It offers a superior efficacy of up to 130 LPW with multiple CCT and beam angle variations at both 120-277V and 277-480V. Its bracket mount, optional visor, and laser positioning tool will allow you to focus the light ensuring optimal results.

Applications: Stadium | Football Field | Tennis Court | Baseball Field | Outdoor Theater

eralux®

	DATE	QTY	ACC. QTY	TYPE
PROJECT				
PN				
ACCESSORY PN				
NOTES				




#### DYNAMIC MENU

Order Information	<a href="#">Page 2</a>
Dimensions	<a href="#">Page 3</a>
Accessories	<a href="#">Page 4</a>
Photometric Data	<a href="#">Page 5</a>

[Install Instruction link](#)

#### SPECIFICATIONS

Input Voltage	120-277V   277-480V
Power Factor	>0.92
Total Harmonic Distortion	<20%
Dimming	0-10V dimming
CRI	70 CRI
CCT	<div style="display: flex; gap: 10px;"> <div style="border: 1px solid black; border-radius: 50%; padding: 2px 5px;">40K</div> <div style="border: 1px solid black; border-radius: 50%; padding: 2px 5px;">50K</div> </div>
Efficacy	130 lm/W at 12° 160 lm/W at 30° 160 lm/W at 55°
Power	480   600W
Ambient Temperature Range	-30°C to 50°C
Mounting Options	U Bracket
Mounting Brackets	90° Adjustable U bracket
Fixture Finish	Black 
Protection	IP66: water and dust resistance IK08: impact resistance 10KV surge protector
Beam Angle	12°   30°   55°



#### PRODUCT FEATURES



#### PRODUCT CERTIFICATIONS



#### SYSTEM WARRANTY – 5 YEARS

Eralux will warrant defective drivers, LEDs and boards for 5 years from the date of purchase. This warranty is valid only if the fixture is installed and used as per installation guides and specifications. If a defect is present, Eralux will send drivers and boards at no fee with a thorough replacement instructions along with instructions on the return of the defective parts back to Eralux.

#### LUMEN MAINTENANCE – L90 at 53,000 hours

Rated for 90% initial lumen output at 53,000 hours of operation, operated at 25°C ambient temperature; per guidelines published by the Illuminating Engineering Society (IES).

## OUTDOOR LED LIGHT

Stadium Light | 480W – 600W



### ORDERING GUIDE

<b>AE-SP-ZS</b>		<b>-010</b>			
<b>AE-SP-ZS</b> ERALUX ZEUS Outdoor Stadium Light	<b>480W</b> 480W 59 800 lm @ 12° 71 810 lm @ 30° 72 080 lm @ 55°	<b>-010</b> 1-10V Dimming	<b>UV</b> 100-277V  <b>HV</b> 277-480V	<b>-4000K</b> 4000K  <b>-5000K</b> 5000K	<b>12</b> 12°  <b>30</b> 30°  <b>55</b> 55°

Fixture Family

Power

Controls

Input Voltage

CCT

Beam Angle

#### NOTES

- The lumen output varies according to both the power and beam angle.



### ORDERING GUIDE - ACCESSORIES

<b>AE-OD-SP-ZS</b> ERALUX ZEUS Outdoor Stadium Light	<b>-VS</b> Visor  <b>-LASER</b> Laser Pointer

Accessory Family

Accessory

#### NOTES

- Ordered separately.

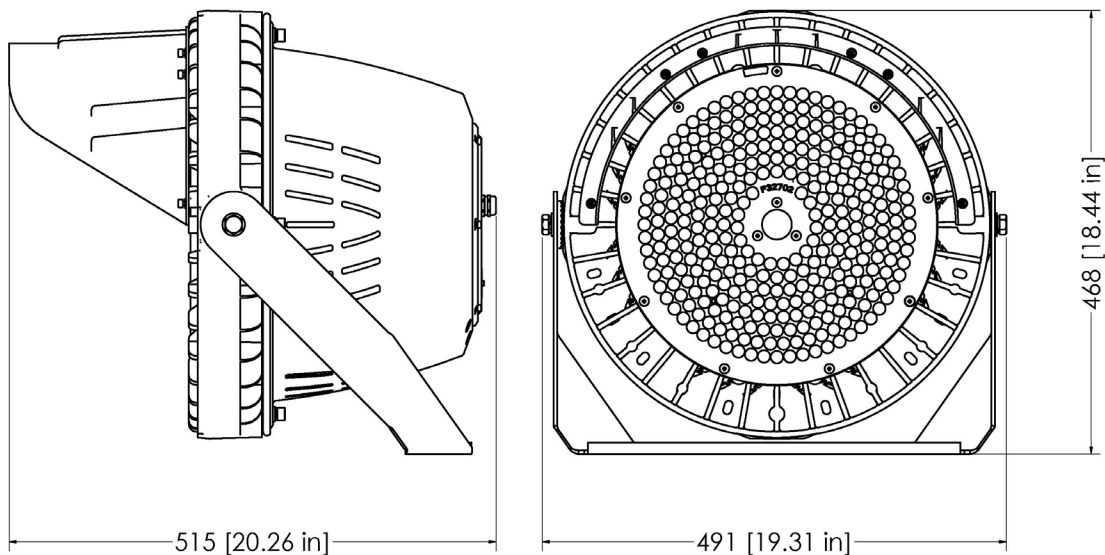
## OUTDOOR LED LIGHT

Stadium Light | 480W – 600W

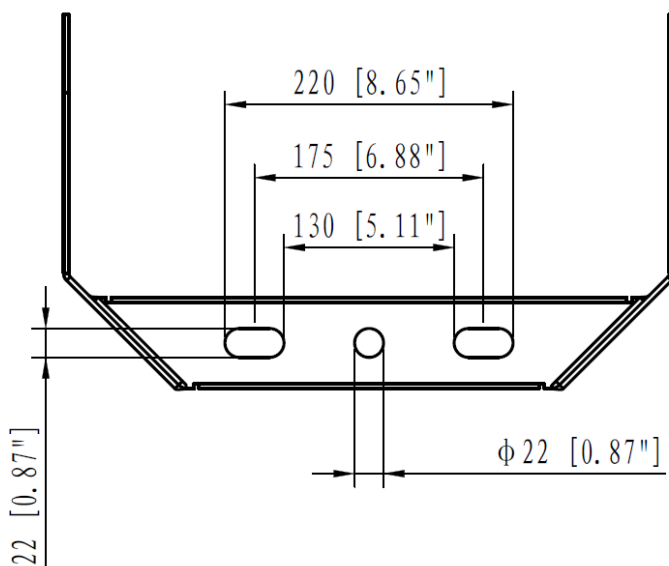
### DIMENSIONS

AE-SP-ZS-XX-010-X-XXX

480W & 600W



### Drilling Pattern



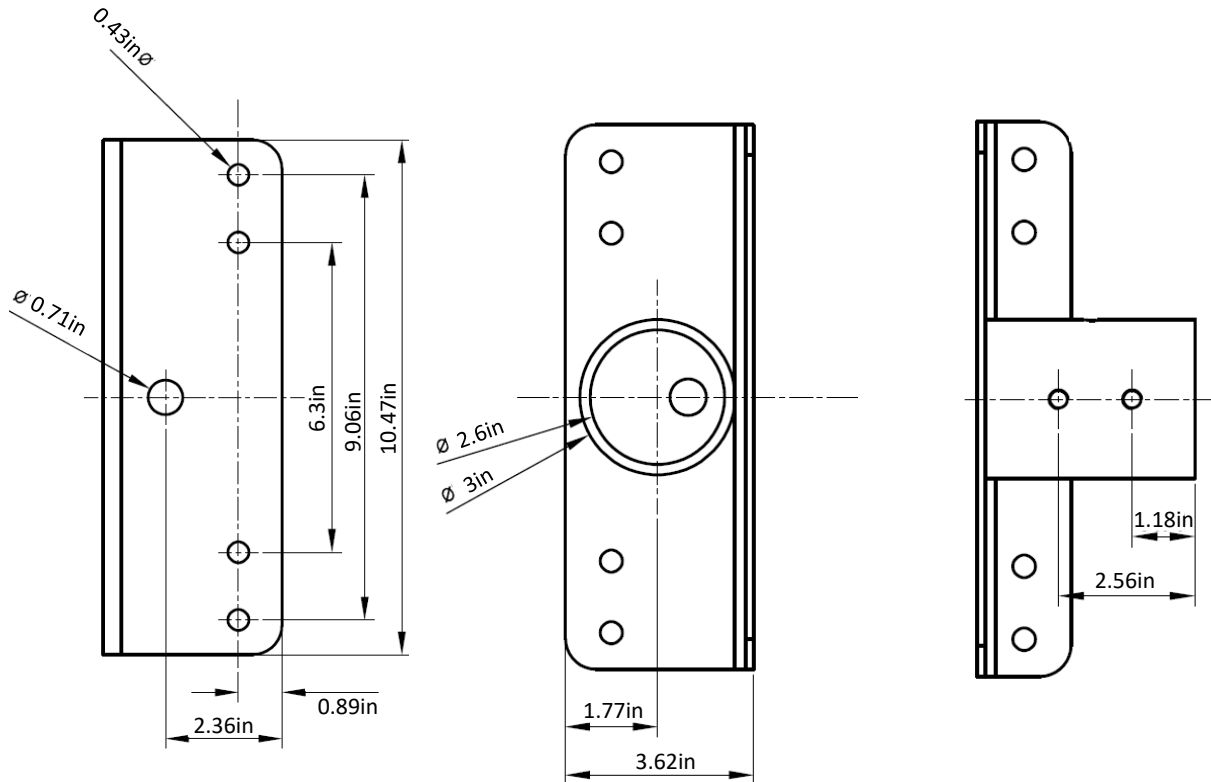
## OUTDOOR LED LIGHT

Stadium Light | 480W – 600W

### DIMENSIONS

#### Slip Fitter

AE-OD-SP-ZS-SF



### ACCESSORIES

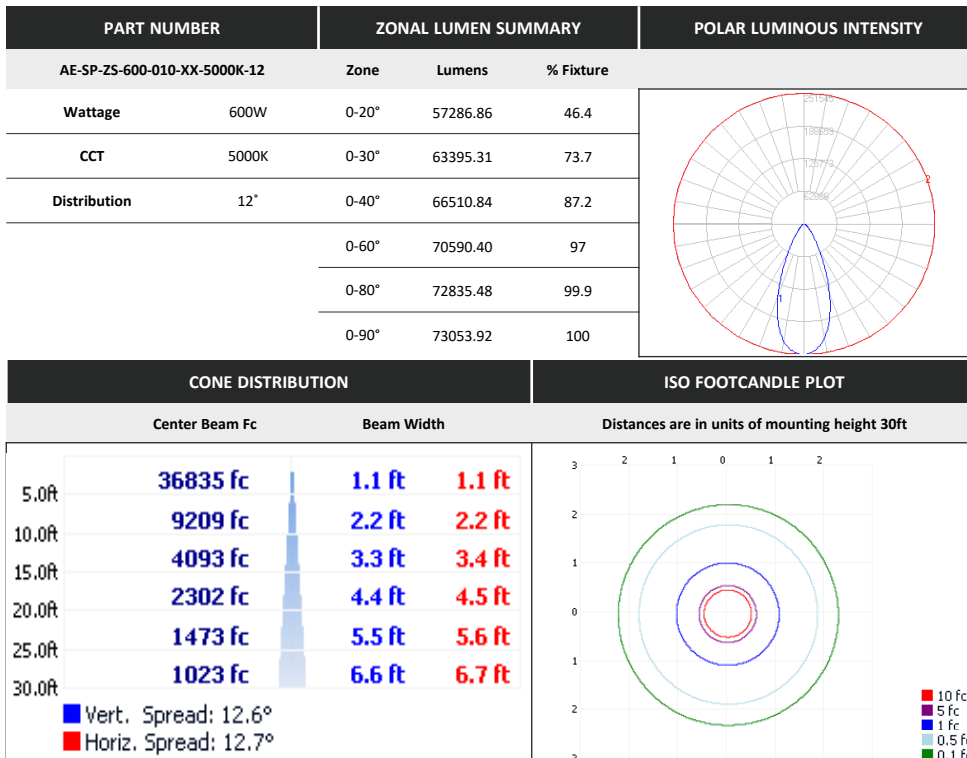
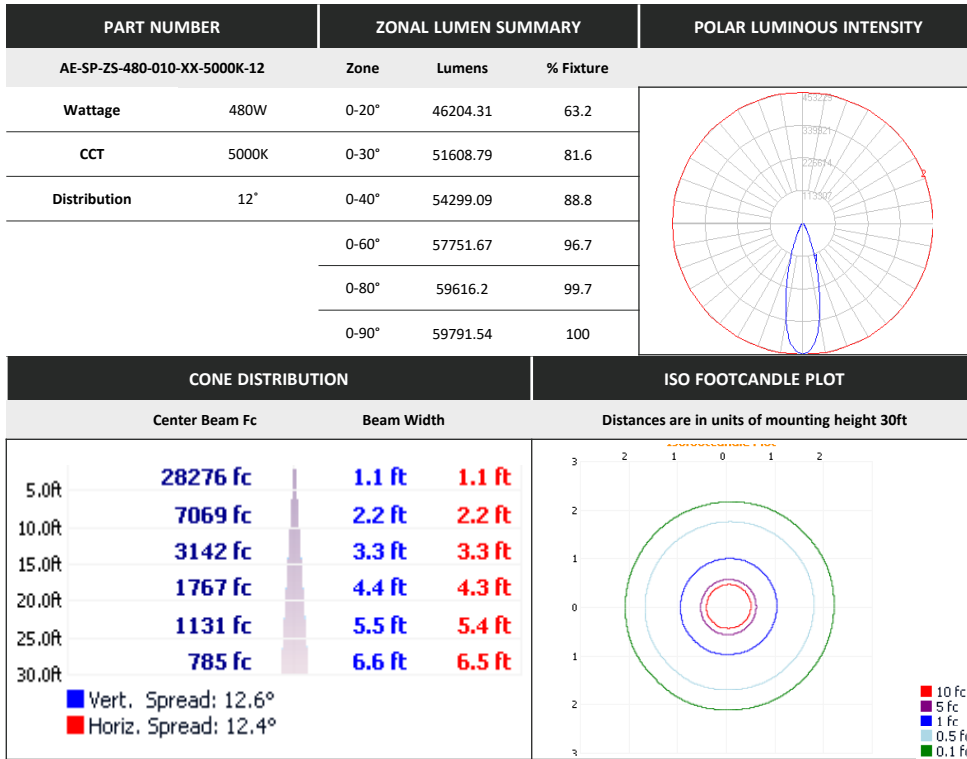
#### Slip Fitter

Code	Description	Picture
AE-OD-SP-ZS-SF	Zeus slip fitter Available for easy installation on top of a pole.	

## OUTDOOR LED LIGHT

Stadium Light | 480W – 600W

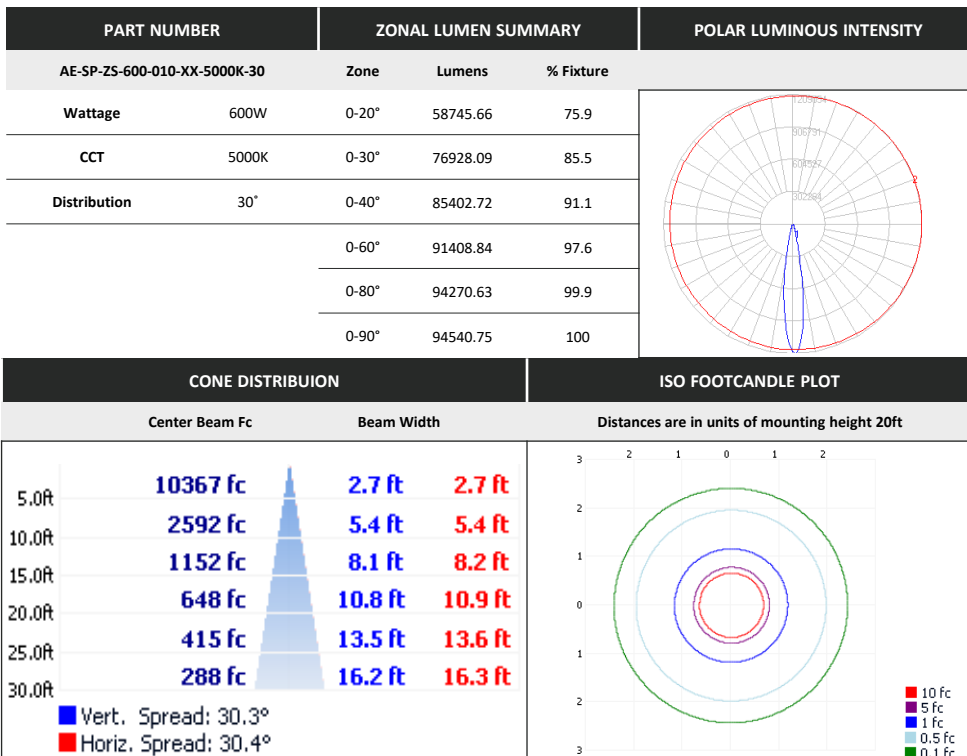
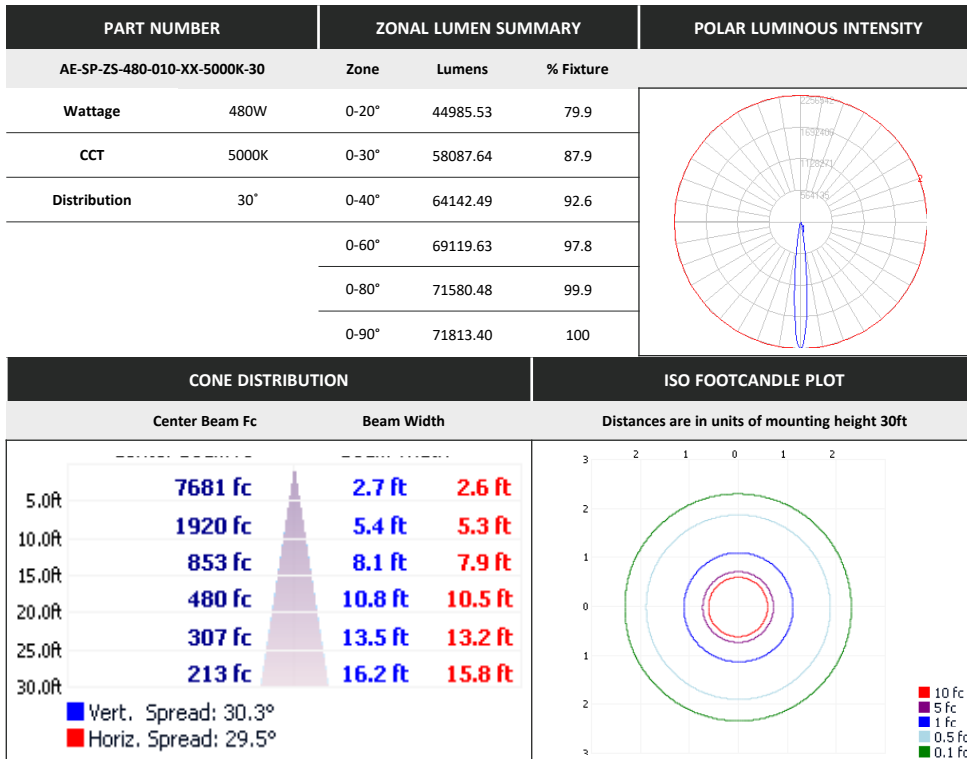
### PHOTOMETRIC DATA



## OUTDOOR LED LIGHT

Stadium Light | 480W – 600W

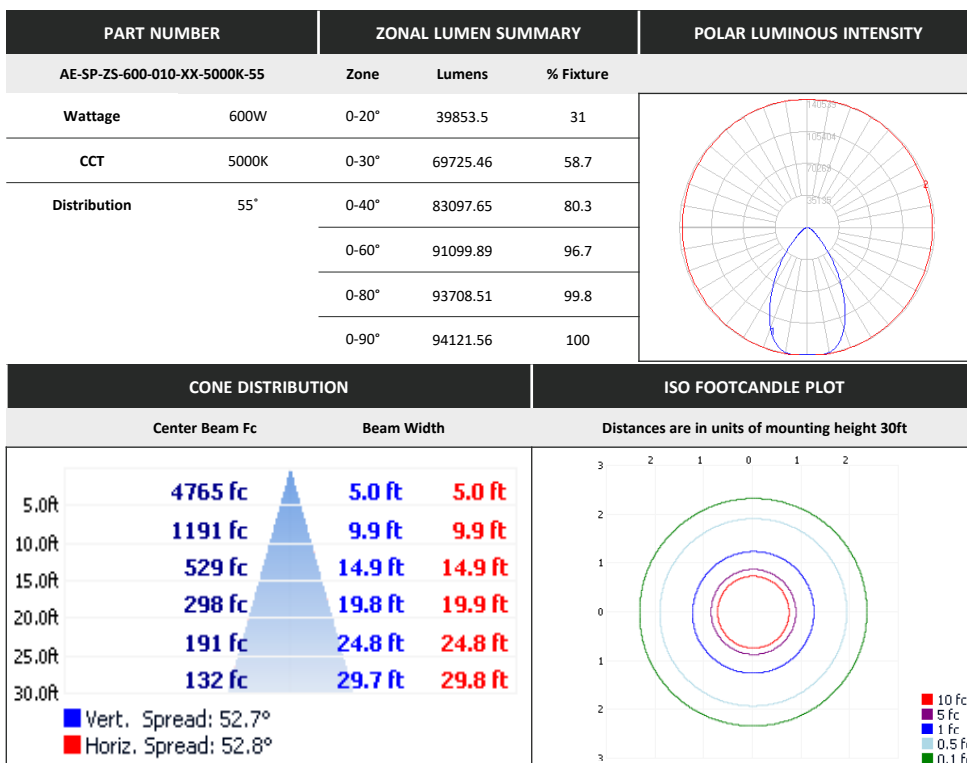
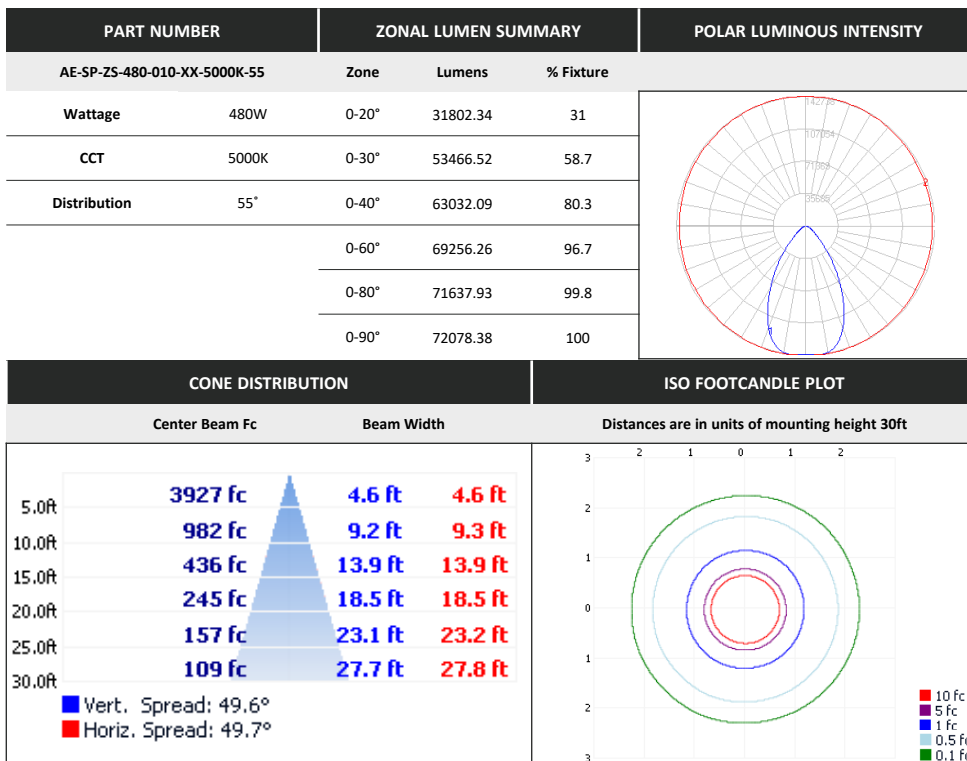
### PHOTOMETRIC DATA



## OUTDOOR LED LIGHT

Stadium Light | 480W – 600W

### PHOTOMETRIC DATA



## OUTDOOR LED LIGHT

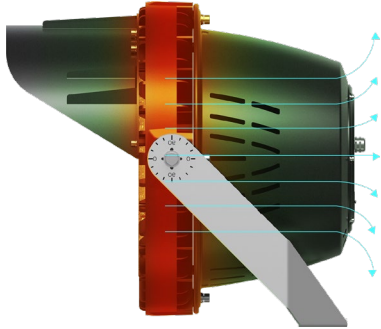
Stadium Light | 480W – 600W

### OVERVIEW



#### Innovative Design

- Aluminum die cast housing and fins for better heat dissipation
- Highly robust polycarbonate and high transmittance lens



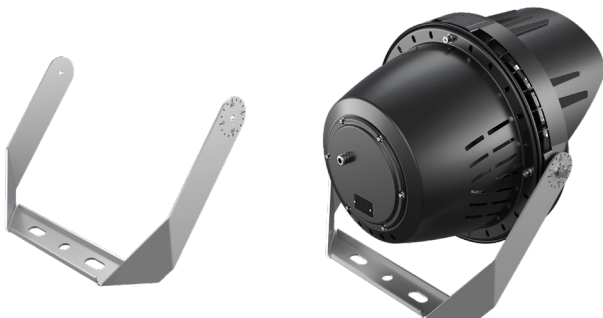
#### Multiple Options

- Two different powers from 480 / 600W
- Visor
- Laser pointer
- 2 CCT Options are available 4000K & 5000K



#### Brackets

- U – Bracket; 90° adjustable tilt



#### Distribution

- 12° | 30° | 55°



#### Tests And Certifications



#### Protection



- Protected against dust ingress.
- Protected against water jets
- Impact resistant
- 10KV surge protector