

# ZORRO ELITE BLACK

## OUTDOOR LED LIGHT

### Area Light | CCT & Power Switchable

The ZORRO ELITE series represents the next generation of area lights. These fixtures offer selectable power and CCT. They also provide multiple mounting options and various light distribution patterns, enabling you to customize your outdoor lighting needs. Each fixture comes standard with a 3-pin NEMA base and a 20KV SPD.

Applications: Auto Dealership | Retail | Commercial | Campus Parking Lots.

	DATE	QTY	ACC. QTY	TYPE
PROJECT				
PN				
ACCESSORY PN				
NOTES				

### DYNAMIC MENU

Order Information	<a href="#">Page 2</a>
Dimensions	<a href="#">Page 4</a>
Accessories	<a href="#">Page 6</a>
Photometric Data	<a href="#">Page 8</a>

[Install Instruction link](#)

### SPECIFICATIONS

Input Voltage	120-277/347V				
Power Factor	>0.9				
Total Harmonic Distortion	<20%				
Dimming	0-10V dimming				
CRI	70 CRI				
CCT	<span style="border: 1px solid black; border-radius: 50%; padding: 2px;">30K</span> <span style="border: 1px solid black; border-radius: 50%; padding: 2px; margin-left: 10px;">40K</span> <span style="border: 1px solid black; border-radius: 50%; padding: 2px; margin-left: 10px;">50K</span>				
Efficacy	~150 lm/W				
Power	70/100/150W & 200/240/300W				
Ambient Temperature Range	-40°C to 45°C				
Mounting Options	Wall   Surface   Pole mount				
Mounting Brackets	Slip fitter   Direct   Yoke   U-bracket				
Fixture Finish	Bronze <span style="margin-left: 20px;">Black</span> 				
Controls	Motion Sensor   Photocell				
Protection	IP65; water and dust resistance IK08; impact resistance 20KV surge protector				
Distribution	<table border="1" style="display: inline-table; text-align: center;"> <tr> <td>T2</td> <td>T3</td> <td>T4</td> <td>T5</td> </tr> </table>	T2	T3	T4	T5
T2	T3	T4	T5		



### PRODUCT FEATURES



### PRODUCT CERTIFICATIONS



Design Lights Consortium® (DLC) qualified product. Not all versions of this product may be DLC qualified. Please check the DLC Qualified Products List at [www.designlights.org/QPL](http://www.designlights.org/QPL) to confirm which versions are qualified" [page 3](#)

### SYSTEM WARRANTY – 5 YEARS

Eralux will warrant defective drivers, LEDs and boards for 5 years from the date of purchase. This warranty is valid only if the fixture is installed and used as per installation guides and specifications. If a defect is present, Eralux will send drivers and boards at no fee with a thorough replacement instructions along with instructions on the return of the defective parts back to Eralux.

### LUMEN MAINTENANCE – L70 at 50,000 hours

Rated for 70% initial lumen output at 50,000 hours of operation, operated at 25°C ambient temperature; per guidelines published by the Illuminating Engineering Society (IES).

## OUTDOOR LED LIGHT

Area Light | CCT & Power Switchable



### ORDERING GUIDE

<b>AE-OD-ZRE</b>		<b>-CA</b>				
<b>AE-OD-ZRE</b> ERALUX ZORRO ELITE Outdoor Area Light	<b>-150W<sup>1</sup></b> 70/100/150W 10,500/15,000/22,500 lm	<b>-CA</b> 120- 277/347V	<b>-D</b> 0-10V Dimming <b>-P</b> Photocell <b>-MS</b> Motion Sensor	<b>-T2</b> Type 2 <b>-T3</b> Type 3 <b>-T4</b> Type 4 <b>-T5</b> Type 5	<b>-A</b> Slip Fitter <b>-B</b> Adjustable Direct Mount <b>-C</b> Yoke Mount <b>-D</b> No Mounting <b>-E</b> U-Bracket floodlight mount	<b>-BLK</b> Black Finish
	<b>-300W<sup>1</sup></b> 200/240/300W 30,000/36,000/45,000 lm  3000/4000/5000K <sup>2</sup> CCT Switchable					
<b>Fixture Family</b>	<b>Power</b>	<b>Voltage</b>	<b>Control</b>	<b>Distribution</b>	<b>Mounting</b>	<b>Finish</b>

### NOTES

1. Static power available upon request – Lumen output will remain the same for the listed power
2. Static CCT available upon request – Lumen output will remain the same for the listed power
3. For bronze finish refer to the Zorro Elite spec sheet



### ORDERING GUIDE - ACCESSORIES

<b>AE-OD-ZRE</b>			
<b>AE-OD-ZRE</b> ERALUX Zorro Elite Outdoor Area Light	<b>-U-SHIELD</b> Optical Shield	<b>-150W</b> Compatible with 70/100/150W <b>-300W</b> Compatible with 200/240/300W	<b>-BLK</b> Black Finish
<b>Accessory Family</b>	<b>Accessory</b>	<b>Power</b>	<b>Finish</b>

## OUTDOOR LED LIGHT

Area Light | CCT & Power Switchable

### B-U-G RATING

POWER	DISTRIBUTION	B-U-G	POWER	DISTRIBUTION	B-U-G
70W	T3	B3-U2-G3	200W	T3	B4-U3-G3
	T4	B3-U2-G3		T4	B3-U3-G3
	T5	B3-U2-G3		T5	B5-U3-G3
100W	T3	B3-U3-G3	240W	T3	B4-U3-G4
	T4	B3-U2-G3		T4	B4-U3-G4
	T5	B4-U3-G3		T5	B4-U3-G4
150W	T3	B3-U2-G3	300W	T3	B4-U3-G4
	T4	B3-U3-G3		T4	B5-U3-G4
	T5	B4-U3-G4		T5	B5-U3-G5

### EPA (Effective Projected Area)

POWER	ACCESSORY	EPA	POWER	ACCESSORY	EPA
100W   150W	Slip Fitter	1.6387 FT <sup>2</sup>	200W   300W	Slip Fitter	2.6587 FT <sup>2</sup>
	Direct bracket	1.85 FT <sup>2</sup>		Direct bracket	2.87 FT <sup>2</sup>
	Yoke mount	1.61 FT <sup>2</sup>		Yoke mount	2.63 FT <sup>2</sup>
	U-bracket	2.15 FT <sup>2</sup>		U-bracket	3.64 FT <sup>2</sup>

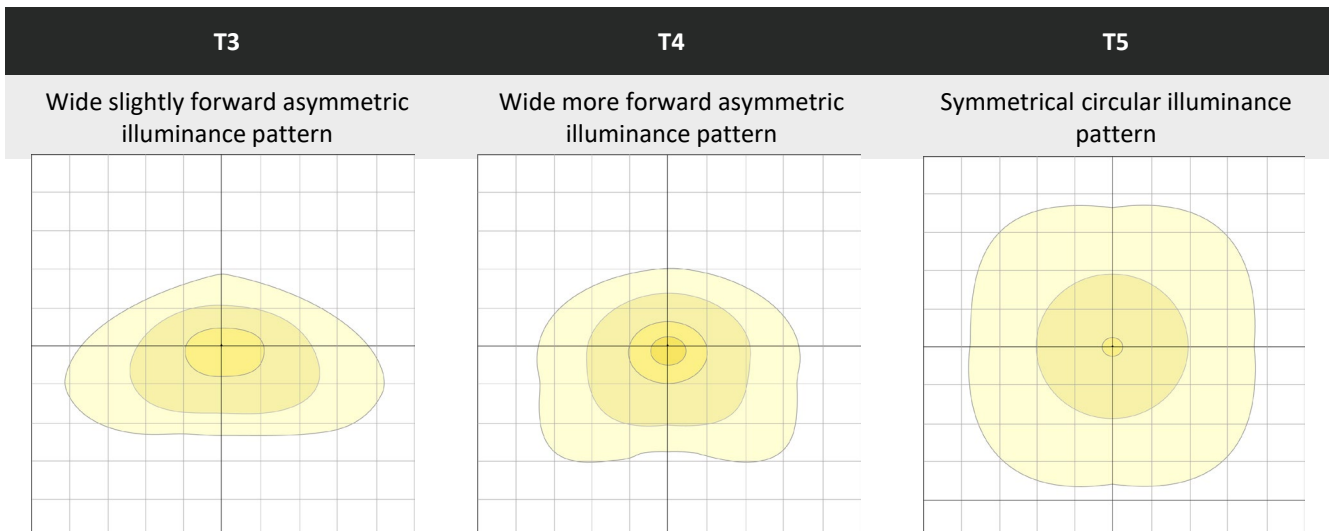
### DLC MODELS



### DLC

DLC MODEL	PRODUCT ID	Primary Use	Classification
AE-OD-ZRE-150W-CA-[D,P,MS]-T2-[A,B,C,D,E]-[BLK,Blank]	S-V6YJPY	Outdoor Pole/Arm-Mounted Area and Roadway Luminaires	Premium
AE-OD-ZRE-150W-CA-[D,P,MS]-T3-[A,B,C,D,E]-[BLK,Blank]	S-PP2XQJ		Premium
AE-OD-ZRE-150W-CA-[D,P,MS]-T4-[A,B,C,D,E]-[BLK,Blank]	S-S11MQ7		Premium
AE-OD-ZRE-150W-CA-[D,P,MS]-T5-[A,B,C,D,E]-[BLK,Blank]	S-HGCTF0		Premium
AE-OD-ZRE-300W-CA-[D,P,MS]-T2-[A,B,C,D,E]-[BLK,Blank]	S-CJ8BG4		Premium
AE-OD-ZRE-300W-CA-[D,P,MS]-T4-[A,B,C,D,E]-[BLK,Blank]	S-K429R2		Premium
AE-OD-ZRE-300W-CA-[D,P,MS]-T3-[A,B,C,D,E]-[BLK,Blank]	S-PM3D83		Premium
AE-OD-ZRE-300W-CA-[D,P,MS]-T5-[A,B,C,D,E]-[BLK,Blank]	S-S7Z5VR		Premium

### DISTRIBUTION



## OUTDOOR LED LIGHT

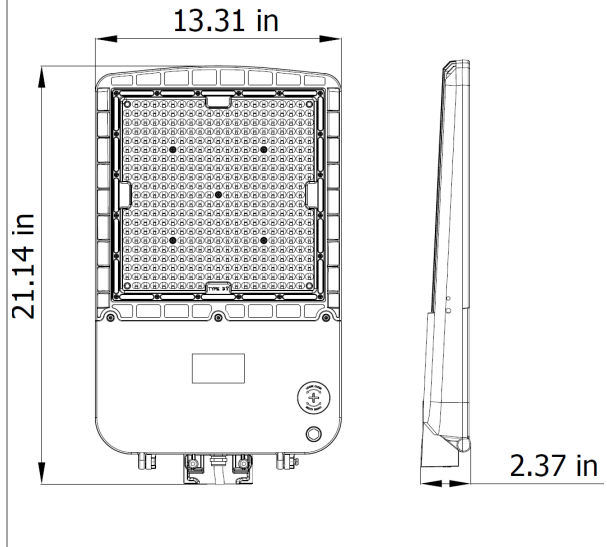
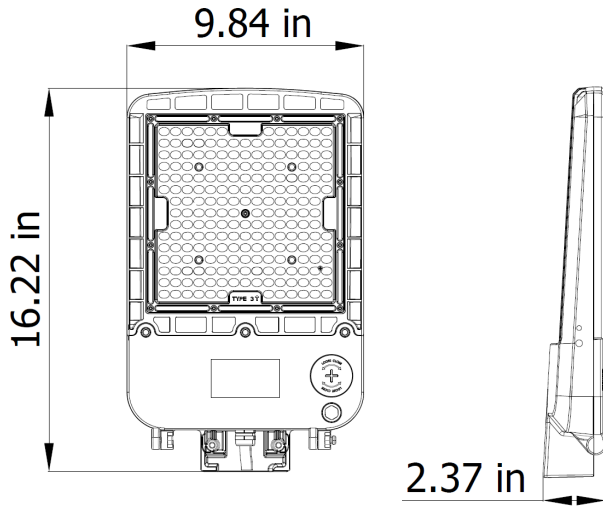
Area Light | CCT & Power Switchable

### DIMENSIONS

#### WITHOUT BRACKET

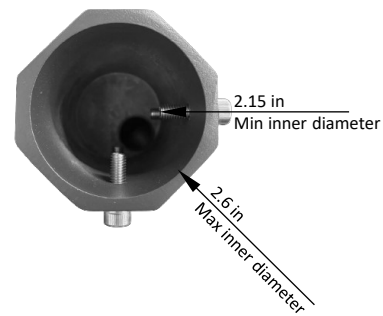
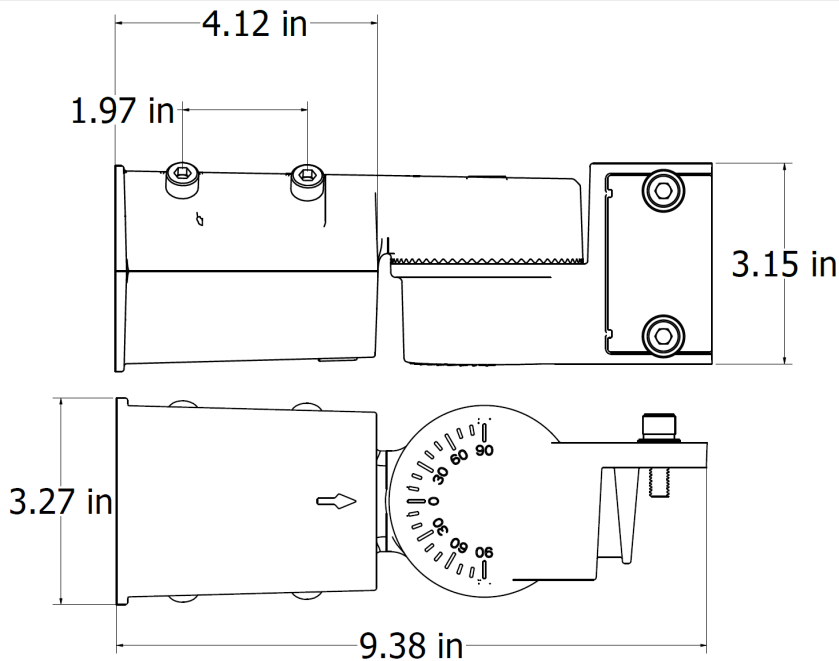
80-100-150W

200-240-300W



#### SLIP FITTER

Installed on 2-3/8" round pole, Adjustable tilt  $\pm 75^\circ$



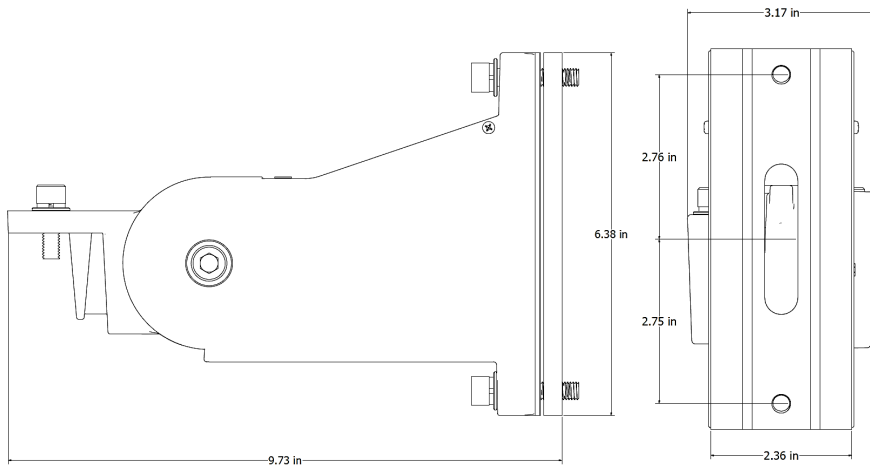
## OUTDOOR LED LIGHT

Area Light | CCT & Power Switchable

### DIMENSIONS

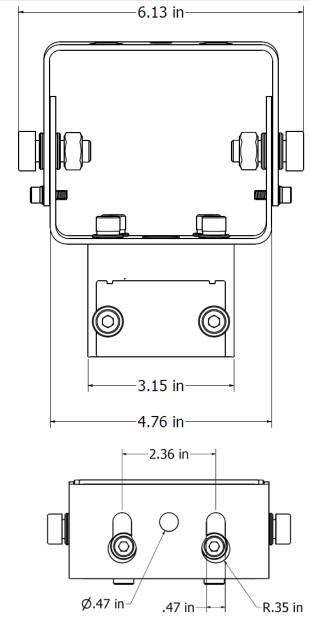
#### DIRECT BRACKET

Installed on surface, wall, round or square pole, Adjustable tilt  $\pm 75^\circ$



#### YOKE MOUNT

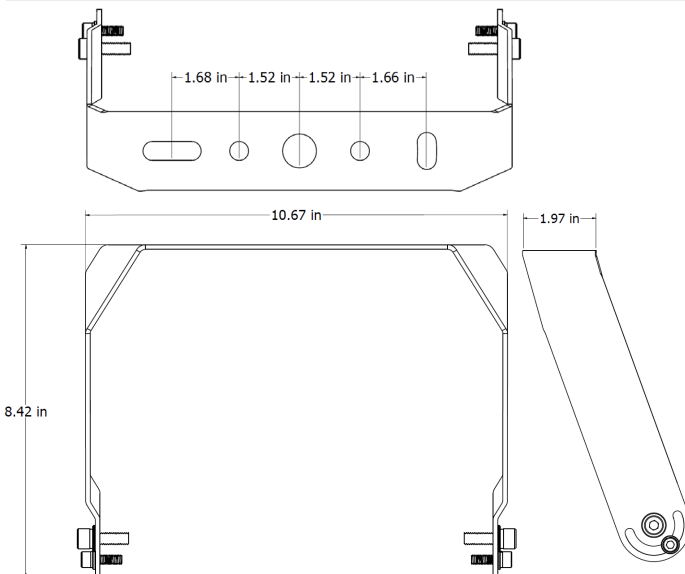
Installed on surface, wall or square pole, Adjustable tilt  $\pm 75^\circ$



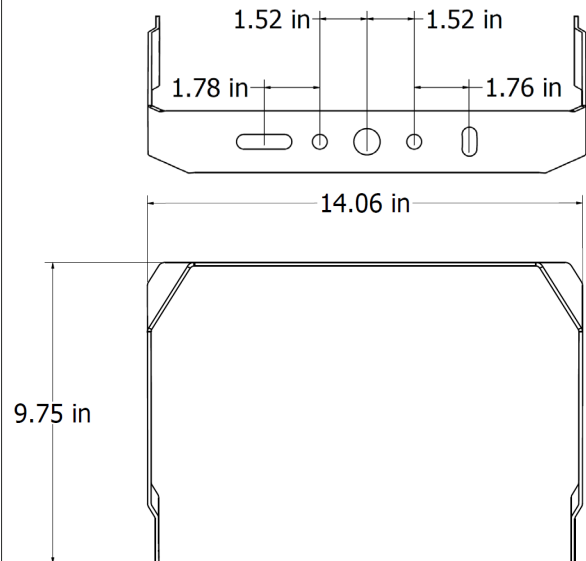
#### U-BRACKET

Installed on surface, wall or square pole, Adjustable tilt  $\pm 75^\circ$

##### 150W FIXTURE



##### 300W FIXTURE



## OUTDOOR LED LIGHT

Area Light | CCT & Power Switchable

### ACCESSORIES

#### OPTICAL SHIELD

Code	Description	Picture
<p><b>AE-OD-ZRE-U-SHIELD-150W-BLK</b>  <b>AE-OD-ZRE-U-SHIELD-300W-BLK</b></p>	<p>4" depth optical shield designed to reduce glare and light spill; blocking the light either forward, backward or sideways</p> <p>This helps to minimize light pollution by directing light downward or toward specific areas.                      Lumen decrease ~30%</p>	

#### Installation

<p><b>Back Shield</b></p>		
<p><b>Forward Shield</b></p>		
<p><b>Side Shield</b></p>		

## OUTDOOR LED LIGHT

Area Light | CCT & Power Switchable

### CONTROL

#### PHOTOCELL

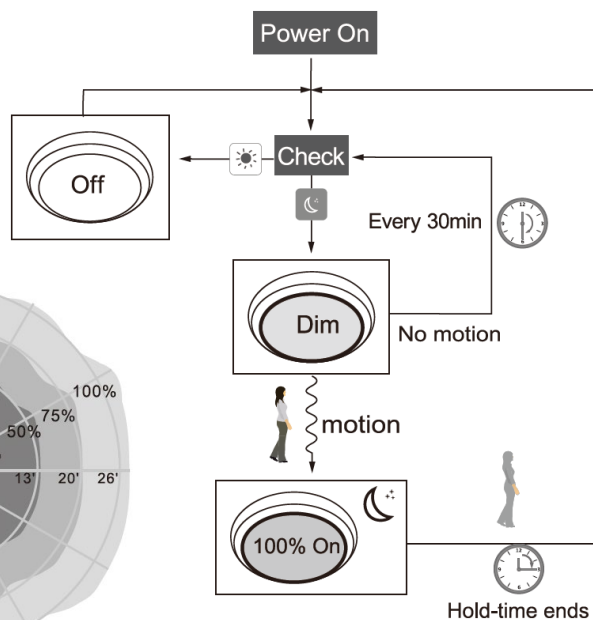
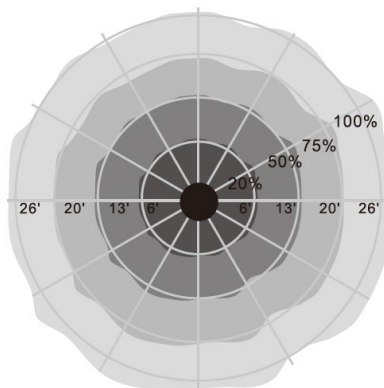
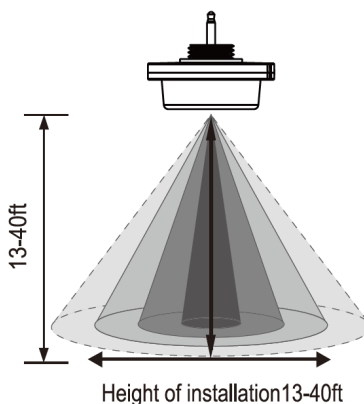
ORDER CODE	DESCRIPTION	PICTURE
AE-OD-ZRE-PHOTOCELL	Photocell providing fixture the feature to automatically turn on or off depending on sunlight	

#### MOTION SENSOR

ORDER CODE	DESCRIPTION	PICTURE
AE-IL-SB2-CA-MS	Plug in microwave motion sensor	
AE-IL-SB2-CA-REMOTE-CTRL	Remote control for the motion sensor	

### Microwave sensor

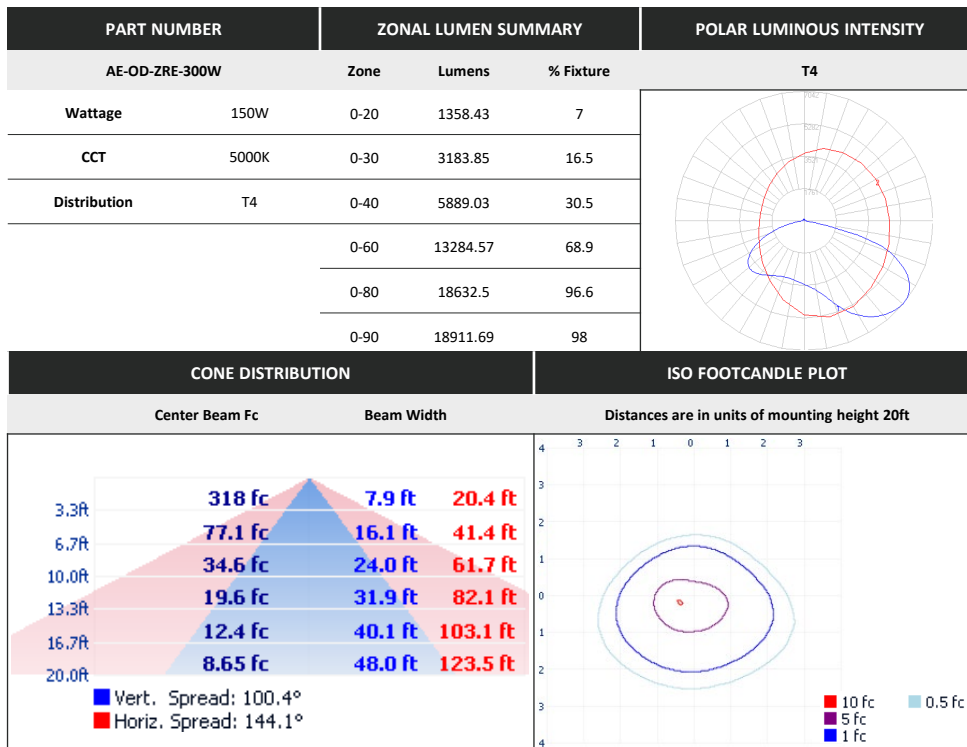
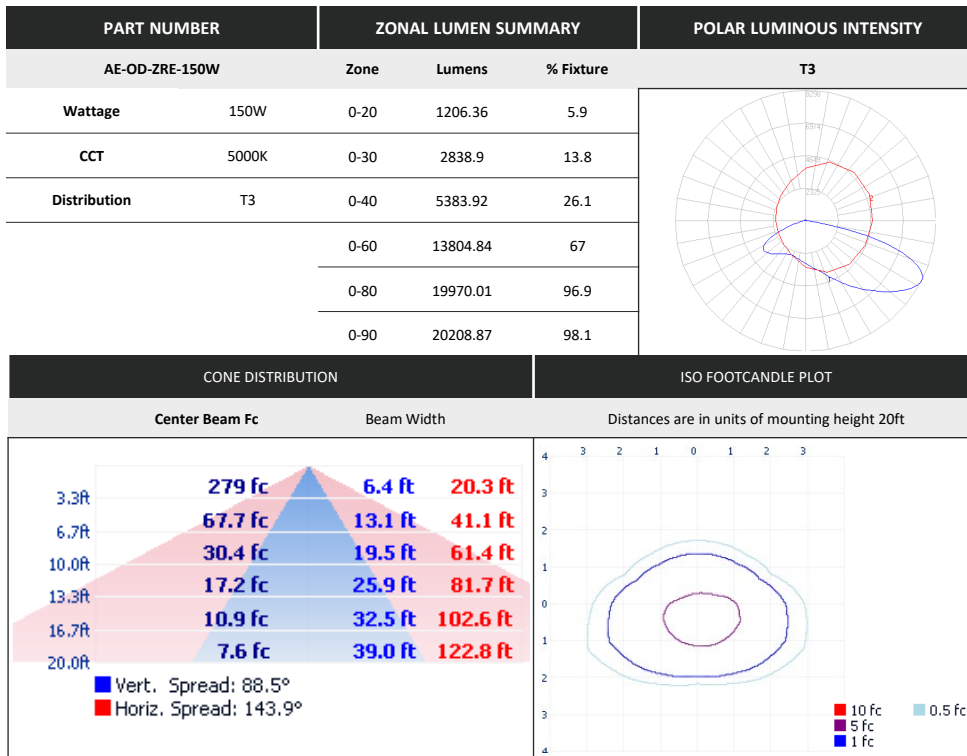
- The light switches on at 100% when there is movement detected in a selected range
- Light dims for a stand-by time after the hold time finishes.
- The light can stay on at dimming level in dark



## OUTDOOR LED LIGHT

Area Light | CCT & Power Switchable

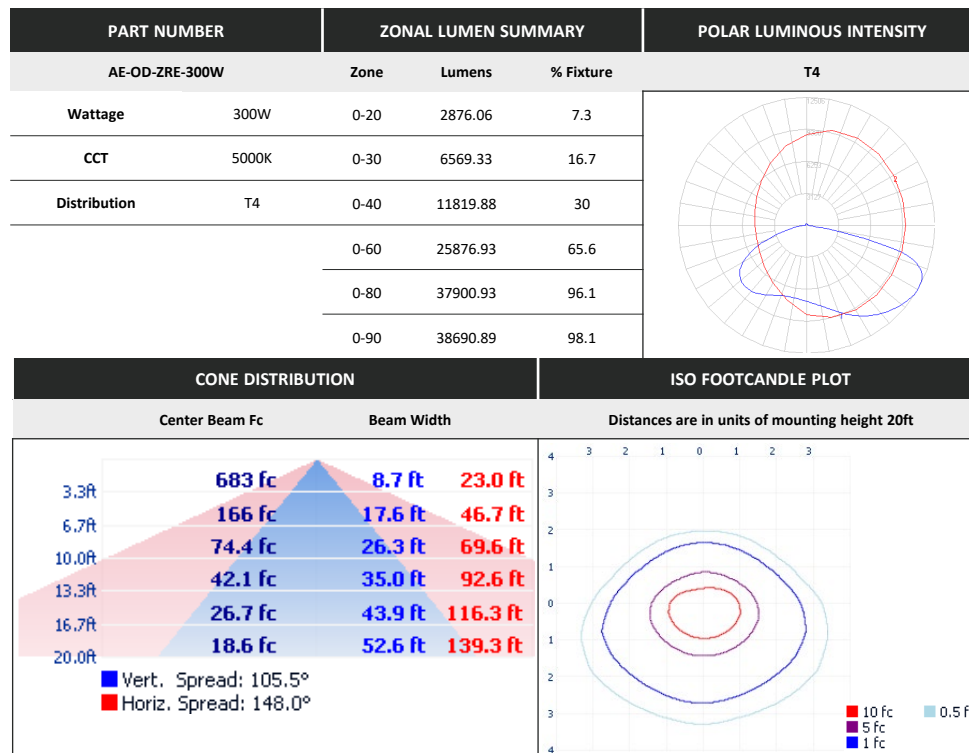
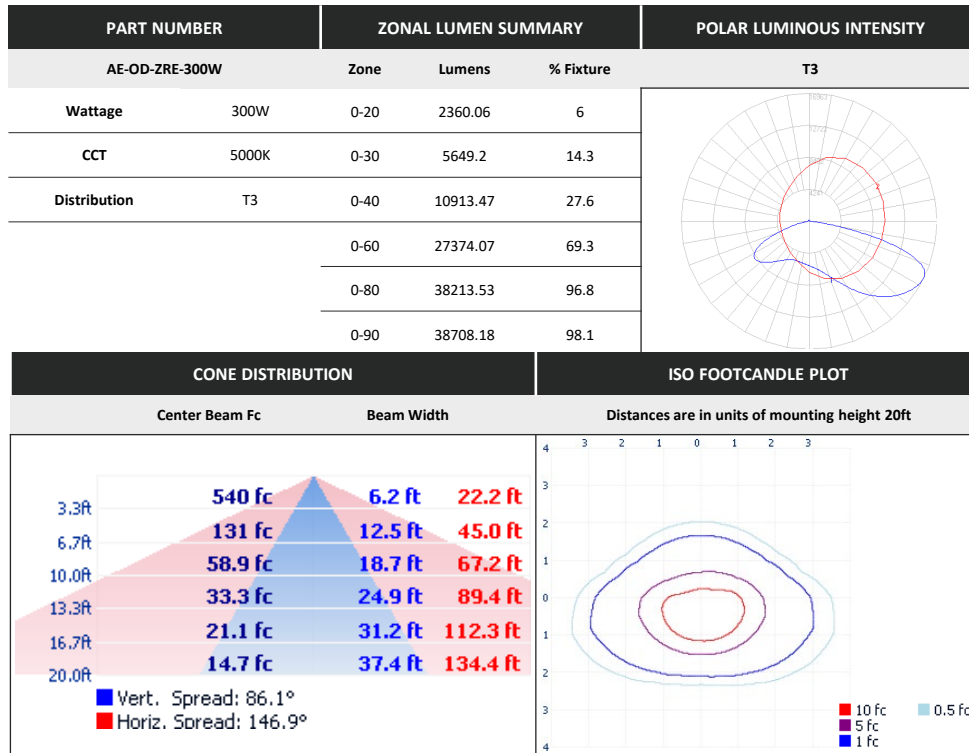
### PHOTOMETRIC DATA



## OUTDOOR LED LIGHT

Area Light | CCT & Power Switchable

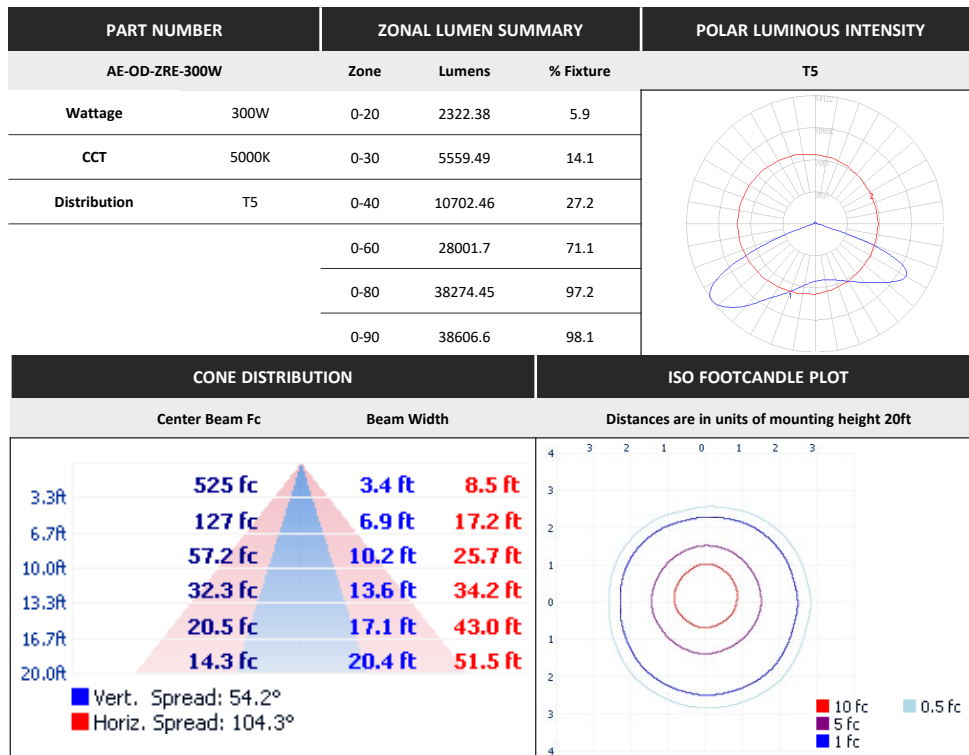
### PHOTOMETRIC DATA



## OUTDOOR LED LIGHT

Area Light | CCT & Power Switchable

### PHOTOMETRIC DATA



### LUMEN ESTIMATE

Lumen output varies based on CCT and CRI. An estimate of lumen output of the various CCT/CRI combinations, use correction factors as per table below:

#### LUMEN ESTIMATE ADJUSTMENT FACTORS

CCT	3000K	4000K	5000K
PREMIUM	0.96	1.00	1.03

## OUTDOOR LED LIGHT

Area Light | CCT & Power Switchable

### OVERVIEW



#### Innovative Design

- Aluminum die cast housing and fins for better heat dissipation
- Highly robust polycarbonate and high transmittance lens.



#### Brackets

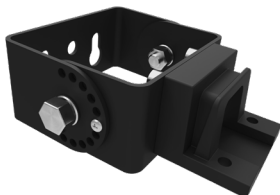
Direct bracket



Slip fitter



Yoke mount



U-bracket



#### Mountings Available

- Round / Square Pole Mount
- Wall mount



#### Multiple Options

- Power Switchable ; 70/100/150W or 200/240/300W
- CCT Switchable ; 30/40/50K
- Black & Bronze Finishes available



#### Accessories

- 120-347V photocell
- Plug in motion sensor
- Optical Shield



Motion Sensor



Photocell



#### Distribution

- T2 | T3 | T4 | T5



#### Protection

- Protected against dust ingress.
- Protected against water jets
- Impact resistant
- 20KV surge protector



Surge Protector



#### Tests And Certifications

