

# ZORRO MAX

eralux®

## OUTDOOR LED LIGHT

### Area Light | CCT & Power Switchable | 500/400/300W

The ZORRO MAX is an extension to the Zorro Family. This fixture offers selectable power and CCT options. It also provides multiple mounting options and various light distribution patterns, enabling you to customize your outdoor lighting needs. Each fixture comes standard with a 3-pin NEMA base and a 20kV SPD.

Applications: Auto Dealership | Retail | Commercial | Campus Parking Lots

	DATE	QTY	ACC. QTY	TYPE
PROJECT				
PN				
ACCESSORY PN				
NOTES				

### DYNAMIC MENU

Order Information	<a href="#">Page 2</a>
Dimensions	<a href="#">Page 3</a>
Controls	<a href="#">Page 5</a>
Photometric Data	<a href="#">Page 7</a>

[Install Instruction link](#)



### SPECIFICATIONS

Input Voltage	120-277/347V
Power Factor	>0.9
Total Harmonic Distortion	<20%
Dimming <a href="#">page 5</a>	0-10V dimming
CRI	80CRI
CCT	<div style="display: flex; gap: 10px;"> <div style="border: 1px solid black; border-radius: 50%; padding: 2px 5px;">30K</div> <div style="border: 1px solid black; border-radius: 50%; padding: 2px 5px;">40K</div> <div style="border: 1px solid black; border-radius: 50%; padding: 2px 5px;">50K</div> </div>
Efficacy	~135-150 lm/W
Power	300 400 500W
Ambient Temperature Range	-40°C to 50°C
Mounting Options	Wall   Surface   Pole Mount
Mounting Brackets	Slip fitter   Direct   Yoke   U-bracket
Fixture Finish	Bronze 
Controls	Motion Sensor   Photocell
Protection	IP65; water and dust resistance IK08; impact resistance 20KV surge protector
Distribution	T3      T4      T5

### PRODUCT FEATURES



### PRODUCT CERTIFICATIONS



### SYSTEM WARRANTY – 5 YEARS

Eralux will warrant defective drivers, LEDs and boards for 5 years from the date of purchase. This warranty is valid only if the fixture is installed and used as per installation guides and specifications. If a defect is present, Eralux will send drivers and boards at no fee with a thorough replacement instructions along with instructions on the return of the defective parts back to Eralux.

### LUMEN MAINTENANCE – L70 at 50,000 hours

Rated for 70% initial lumen output at 50,000 hours of operation, operated at 25°C ambient temperature; per guidelines published by the Illuminating Engineering Society (IES).

## OUTDOOR LED LIGHT

Area Light | CCT & Power Switchable | 500/400/300W



### ORDERING GUIDE

AE-OD-ZRX	-500W	-CA				-BZ
AE-OD-ZRX ERALUX ZORRO MAX Outdoor Area Light	-500W <sup>1</sup> 500/400/300W 75,000/60,000/45,000 lm  3000/4000/5000K <sup>2</sup> CCT Switchable	-CA 120-277/347V	-D 0-10V Dimming -P Photocell -MS Motion Sensor	-T3 Type 3 -T4 Type 4 -T5 Type 5	-A Slip Fitter -B Direct Mount -C Yoke Mount -D No Mounting -E U-Bracket Floodlight Mount	-BZ Bronze Finish RAL 8019
<b>Fixture Family</b>	<b>Power   CCT</b>	<b>Voltage</b>	<b>Control</b>	<b>Distribution</b>	<b>Mounting</b>	<b>Finish</b>

#### NOTES

1. Fixture is supplied with 3-Pin Receptable and Shorting Cap by default.
2. If other receptable is desired, please contact factory.



### ORDERING GUIDE - ACCESSORIES

OD-ZRX		
OD-ZRX ERALUX ZORRO MAX Outdoor Area Light	-BSH Back Shield	-[BLANK] Bronze
	-SSHR Right Side Shield	
	-SSHL Left Side Shield	
<b>Accessory Family</b>	<b>Accessory</b>	<b>Finish</b>

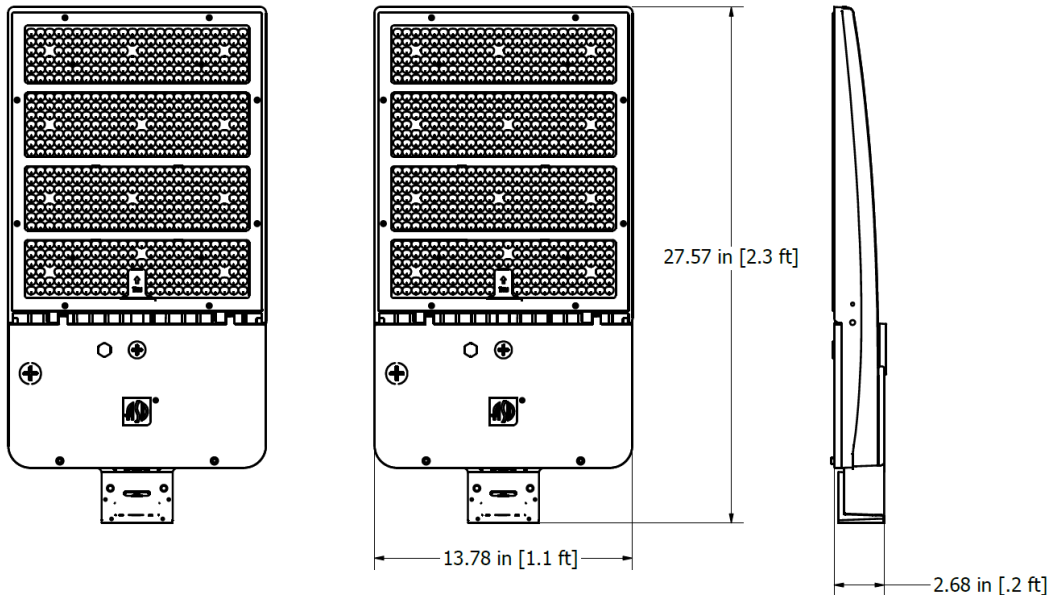
#### NOTES

1. Shields are ordered separately, if needed.

### DIMENSIONS

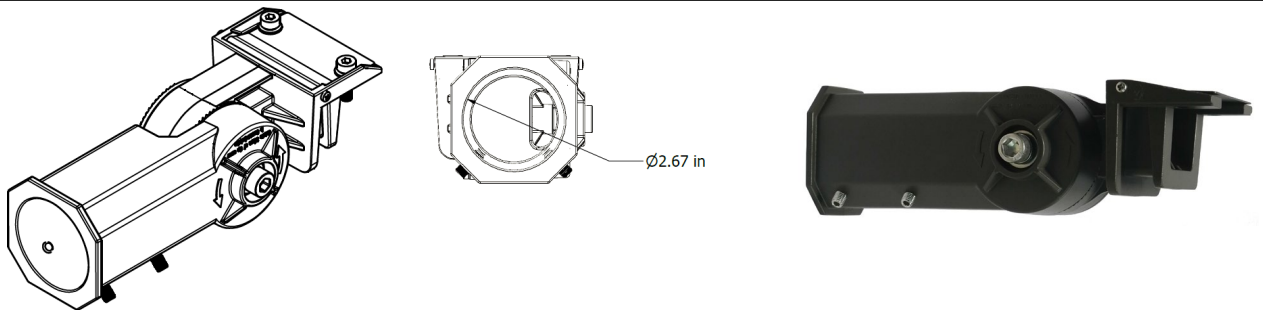
#### ZORRO MAX

300-400-500W

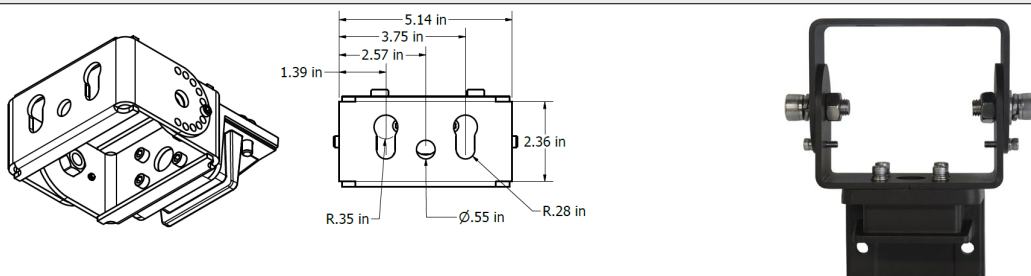


### BRACKETS DRILLING PATTERN

#### ADJUSTABLE SLIP FITTER



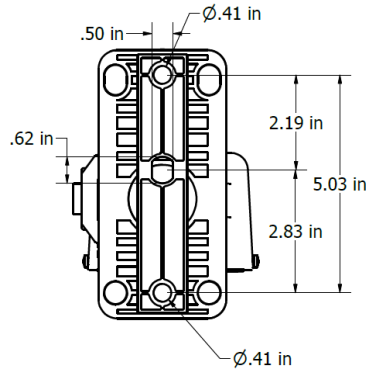
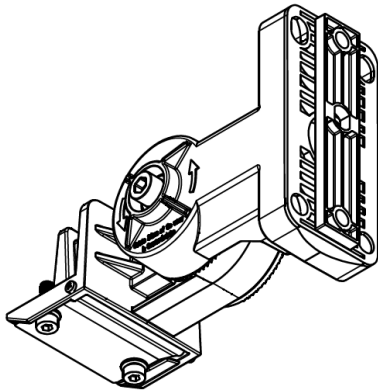
#### YOKE



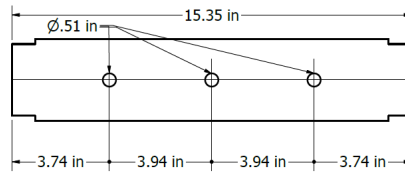
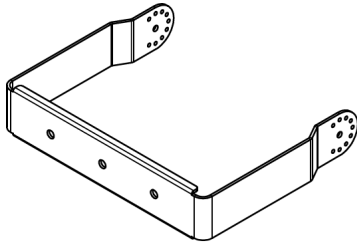
### DIMENSIONS

#### BRACKETS DRILLING PATTERN

#### ADJUSTABLE DIRECT MOUNT

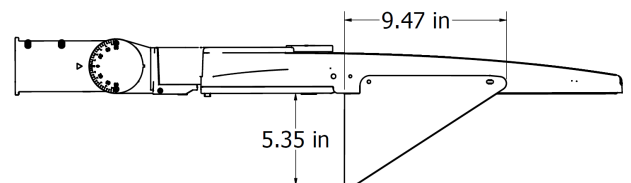
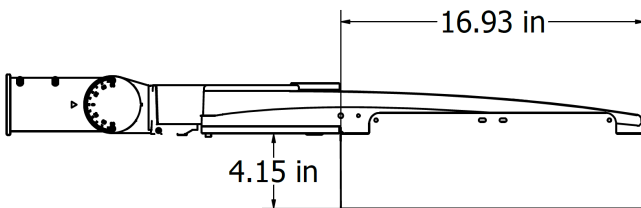


#### U – BRACKET



#### SIDE SHIELD

#### BACK SHIELD



## OUTDOOR LED LIGHT

Area Light | CCT & Power Switchable | 500/400/300W

### CONTROLS

#### PHOTOCELL

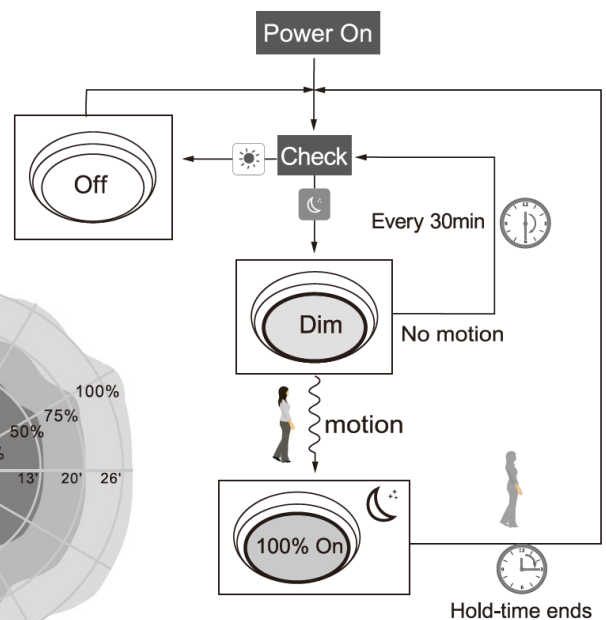
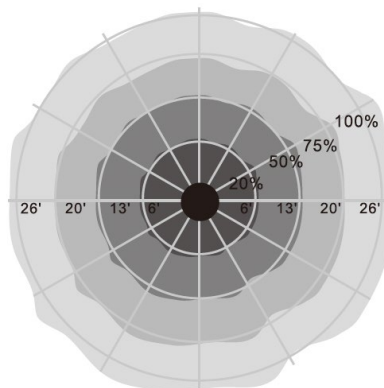
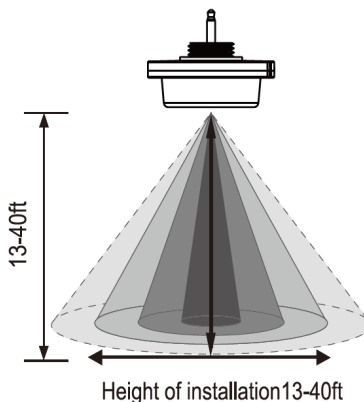
ORDER CODE	DESCRIPTION	PICTURE
AE-OD-ZRE-PHOTOCELL	Photocell providing fixture the feature to automatically turn on or off depending on sunlight	

#### MOTION SENSOR

ORDER CODE	DESCRIPTION	PICTURE
AE-OD-ZRE-MOTIONSENSOR	Plug-in microwave motion sensor	

### Microwave sensor

- The light switches on at 100% when there is movement detected in a selected range
- Light dims for a stand-by time after the hold time finishes.
- The light can stay on at dimming level in dark



## OUTDOOR LED LIGHT

Area Light | CCT & Power Switchable | 500/400/300W

### B-U-G RATING

POWER	DISTRIBUTION	B-U-G
300W	T3	B5-U0-G5
400w		
500w		

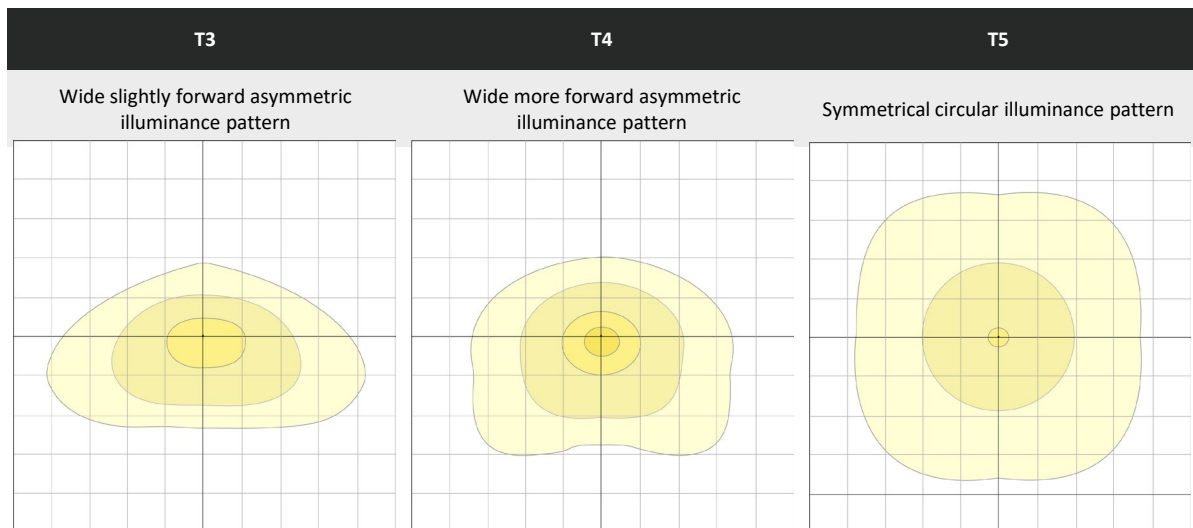
### WEIGHT INFORMATION

POWER	ACCESSORY	WEIGHT
100W	Slip Fitter	5.28Kg
	Direct bracket	5.61Kg
	Yoke mount	5.01Kg
150W	Slip Fitter	5.55Kg
	Direct bracket	5.87Kg
	Yoke mount	5.27Kg

### EPA (Effective Projected Area)

Fixture						
Count	Single	Double 180°	Double 90°	Triple 90°	Triple 120°	Quad 90°
EPA	0.48	0.94	0.92	1.27	1.22	1.42

### DISTRIBUTION



## OUTDOOR LED LIGHT

Area Light | CCT & Power Switchable | 500/400/300W

### LUMEN ESTIMATE

Lumen output varies based on CCT and CRI. Use correction factors as per table below:

LUMEN ESTIMATE ADJUSTMENT FACTORS			
CCT	3000K	4000K	5000K
80CRI	0.94	1	1.03

### PHOTOMETRIC DATA

PART NUMBER		ZONAL LUMEN SUMMARY			POLAR LUMINOUS INTENSITY
AE-OD-ZRX-500W-CA-X-T3-X-X		Zone	Lumens	% Fixture	T3
Wattage	300W	0-20°	4490.79	9.1	
CCT	4000K	0-30°	9894.46	20	
Distribution	T3	0-40°	16974.00	34.3	
		0-60°	33582.02	67.9	
		0-80°	47054.09	95.1	
		0-90°	48558.93	98.1	

CONE DISTRIBUTION				ISO FOOTCANDLE PLOT	
Center Beam Fc	Beam Width			Distances are in units of mounting height 20ft	
4.3ft	642 fc	10.2 ft	35.6 ft		
8.7ft	157 fc	20.7 ft	72.0 ft		
13.0ft	70.3 fc	31.0 ft	107.6 ft		
17.3ft	39.7 fc	41.2 ft	143.2 ft		
21.7ft	25.2 fc	51.7 ft	179.6 ft		
26.0ft	17.6 fc	61.9 ft	215.2 ft		
■ Vert. Spread: 100.0° ■ Horiz. Spread: 152.8°				■ 25 fc ■ 5 fc ■ 20 fc ■ 1 fc ■ 10 fc ■ 0.5 fc	

PART NUMBER		ZONAL LUMEN SUMMARY			POLAR LUMINOUS INTENSITY
AE-OD-ZRX-500W-CA-X-T3-X-X		Zone	Lumens	% Fixture	T3
Wattage	400W	0-20°	5640.81	9.1	
CCT	4000K	0-30°	12431.71	20	
Distribution	T3	0-40°	21347.07	34.3	
		0-60°	42319.18	68.1	
		0-80°	59297.89	95.4	
		0-90°	61150.33	98.3	

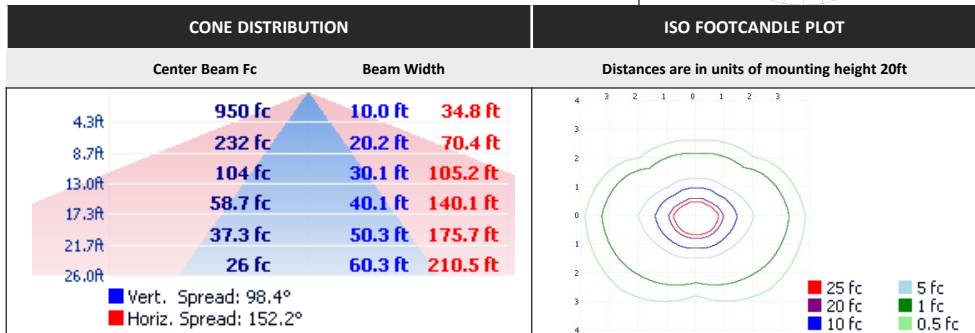
CONE DISTRIBUTION				ISO FOOTCANDLE PLOT	
Center Beam Fc	Beam Width			Distances are in units of mounting height 20ft	
4.3ft	807 fc	10.1 ft	35.2 ft		
8.7ft	197 fc	20.5 ft	71.2 ft		
13.0ft	88.3 fc	30.6 ft	106.4 ft		
17.3ft	49.9 fc	40.7 ft	141.6 ft		
21.7ft	31.7 fc	51.1 ft	177.6 ft		
26.0ft	22.1 fc	61.2 ft	212.8 ft		
■ Vert. Spread: 99.3° ■ Horiz. Spread: 152.5°				■ 25 fc ■ 5 fc ■ 20 fc ■ 1 fc ■ 10 fc ■ 0.5 fc	

## OUTDOOR LED LIGHT

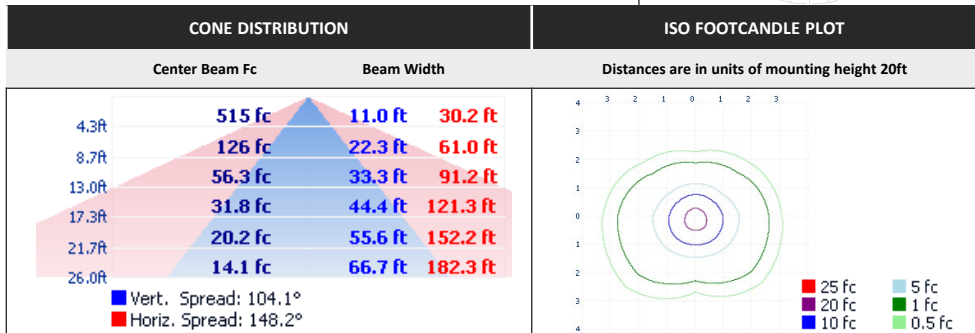
Area Light | CCT & Power Switchable | 500/400/300W

### PHOTOMETRIC DATA

PART NUMBER		ZONAL LUMEN SUMMARY			POLAR LUMINOUS INTENSITY
AE-OD-ZRX-500W-CA-X-T3-X-X		Zone	Lumens	% Fixture	<b>T3</b> 
Wattage	500W	0-20°	6650.62	9.1	
CCT	4000K	0-30°	14666.95	20	
Distribution	T3	0-40°	25198.63	34.3	
		0-60°	50055.67	68.1	
		0-80°	70195.80	95.5	
		0-90°	72355.03	98.5	



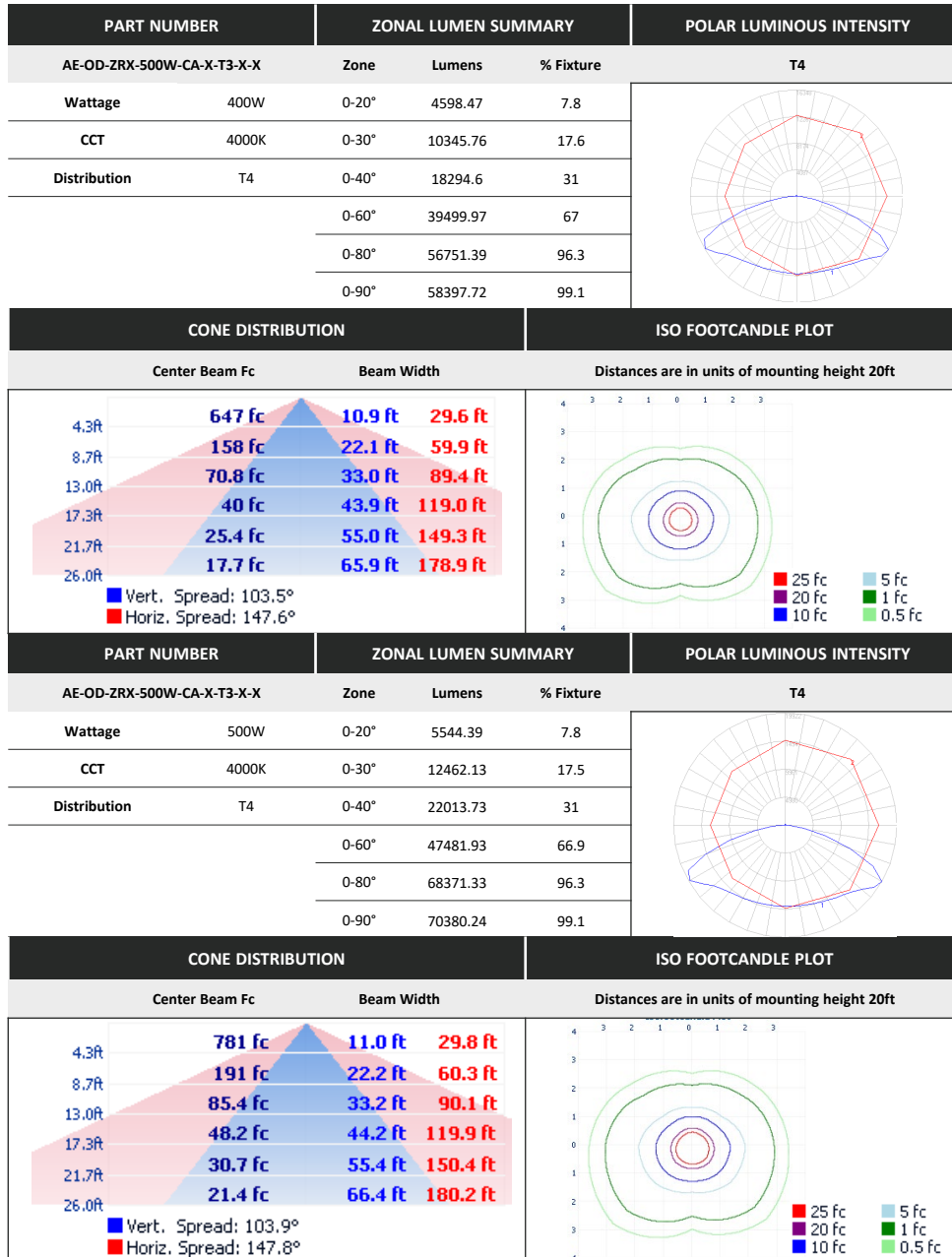
PART NUMBER		ZONAL LUMEN SUMMARY			POLAR LUMINOUS INTENSITY
AE-OD-ZRX-500W-CA-X-T3-X-X		Zone	Lumens	% Fixture	<b>T4</b> 
Wattage	300W	0-20°	3654.6	7.9	
CCT	4000K	0-30°	8207.6	17.7	
Distribution	T4	0-40°	14466.4	31.1	
		0-60°	31042.58	66.8	
		0-80°	44712.82	96.2	
		0-90°	46048.97	99.1	



## OUTDOOR LED LIGHT

Area Light | CCT & Power Switchable | 500/400/300W

### PHOTOMETRIC DATA



## OUTDOOR LED LIGHT

Area Light | CCT & Power Switchable | 500/400/300W

### PHOTOMETRIC DATA

PART NUMBER		ZONAL LUMEN SUMMARY			POLAR LUMINOUS INTENSITY
AE-OD-ZRX-500W-CA-X-T3-X-X		Zone	Lumens	% Fixture	T5
Wattage	300W	0-20°	3609.08	7.6	
CCT	4000K	0-30°	8251.49	17.3	
Distribution	T5	0-40°	15083.36	31.6	
		0-60°	35633.02	74.6	
		0-80°	46705.47	97.8	
		0-90°	47350.07	99.1	

CONE DISTRIBUTION			ISO FOOTCANDLE PLOT	
Center Beam Fc	Beam Width		Distances are in units of mounting height 20ft	
4.3ft	503 fc	16.9 ft 12.8 ft		
8.7ft	123 fc	34.1 ft 25.8 ft		
13.0ft	55 fc	51.0 ft 38.6 ft		
17.3ft	31 fc	67.9 ft 51.4 ft		
21.7ft	19.7 fc	85.2 ft 64.5 ft		
26.0ft	13.7 fc	102.0 ft 77.2 ft		
■ Vert. Spread: 126.0° ■ Horiz. Spread: 112.1°			■ 25 fc ■ 5 fc ■ 20 fc ■ 1 fc ■ 10 fc ■ 0.5 fc	

PART NUMBER		ZONAL LUMEN SUMMARY			POLAR LUMINOUS INTENSITY
AE-OD-ZRX-500W-CA-X-T3-X-X		Zone	Lumens	% Fixture	T5
Wattage	400W	0-20°	4566.31	7.5	
CCT	4000K	0-30°	10445.56	17.3	
Distribution	T5	0-40°	19106.33	31.6	
		0-60°	45135.1	74.6	
		0-80°	59161.59	97.7	
		0-90°	59982.24	99.1	

CONE DISTRIBUTION			ISO FOOTCANDLE PLOT	
Center Beam Fc	Beam Width		Distances are in units of mounting height 20ft	
4.3ft	636 fc	16.9 ft 12.8 ft		
8.7ft	155 fc	34.2 ft 25.9 ft		
13.0ft	69.5 fc	51.1 ft 38.6 ft		
17.3ft	39.3 fc	68.0 ft 51.4 ft		
21.7ft	25 fc	85.3 ft 64.5 ft		
26.0ft	17.4 fc	102.1 ft 77.3 ft		
■ Vert. Spread: 126.0° ■ Horiz. Spread: 112.1°			■ 25 fc ■ 5 fc ■ 20 fc ■ 1 fc ■ 10 fc ■ 0.5 fc	

## OUTDOOR LED LIGHT

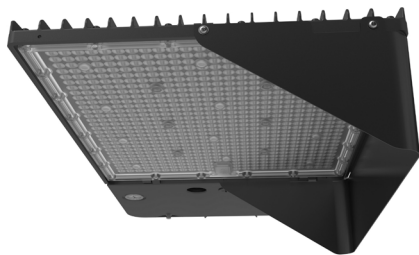
Area Light | CCT & Power Switchable | 500/400/300W

### OVERVIEW



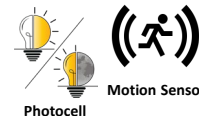
#### Innovative Design

- Aluminum die cast housing and fins for better heat dissipation
- Highly robust polycarbonate and high transmittance lens.



#### Controls and Accessories

- 120-347V photocell
- Motion Sensor
- U-Shield
- Side shield



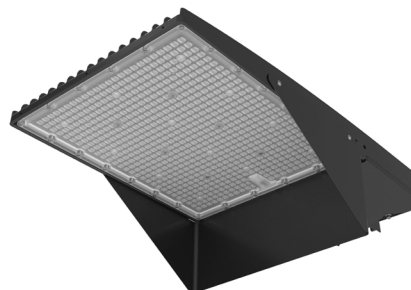
#### Distribution

- T3 | T4 | T5



#### Multiple Options

- Three different powers: 300W, 400W, 500W
- CCT switchable: 30K, 40K, and 50K



#### Mountings Available

- Round / Square Pole Mount
- Wall mount
- Surface mount



#### Protection

- Dust resistant
- Water resistant
- Impact resistant
- 20KV surge protector



#### Brackets

- Slip fitter
- Direct mount bracket
- Yoke mount
- U-Bracket floodlight mount



#### Tests And Certifications

