

ZR(ZORRO)

OUTDOOR PRODUCTS

Outdoor area light

The ZR(ZORRO) Series from ERALUX combines the desire for high efficacy and a distinguished look in an outdoor luminaire. The ZR(ZORRO) Series features mounting methods and variety of light distribution patterns, allowing you to tailor your luminaire to your lighting needs. Our fixture comes standard with a 3 pin NEMA base as well as a 20KV SPD.



eralux®



DATE	
PROJECT NAME	
TYPE	
QTY	
ORDERING CODE	AE-OD-ZR - W CA - - -T - -BZ

OPERATING & ELECTRICAL

INPUT VOLTAGE	120-347 V
POWER FACTOR	0.9
DIMMING	0-10V
TOTAL HARMONIC DISTORTION (THD)	<20%

PERFORMANCE

LUMENS PER WATT	130 LPW at 80CRI
POWER CONSUMPTION	100W, 150W, 200W, 240W, 300W
DISTRIBUTION	Type 3, 4, 5

MECHANICAL & HOUSING

HOUSING	Aluminum die cast housing for superior heat dissipation, strength, and rigidity critical to long LED system life.
LENS	Highly durable polycarbonate lens ensures high efficiency light output for a clean, evenly illuminated surface with minimal glare. High transmittance lens allowing for a smooth, diffused light pattern.
FINISH	Bronze powder coat fade and abrasion resistant finish for the toughest outdoor conditions.
POWER SUPPLY	Factory wired electronic LED driver
LED BOARD	Discrete LED Chips

APPLICATION CONDITION

AMBIENT TEMPERATURE RANGE	-40°C to 45°C
Protection	Fixture and driver IP65 rated, IK08 impact resistance

COMPATIBLE MOUNTING

MOUNTING	Direct, Slip fitter, Trunnion(Yoke mounting), U Bracket Floodlight mount
----------	--

WARRANTY

SYSTEM WARRANTY – 5 YEARS

Eralux will warrant defective drivers, LEDs and boards for 5 years from the date of purchase. This warranty is valid only if the fixture is installed and used as per installation guides and specifications. If a defect is present, Eralux will send drivers and boards at no fee with a thorough replacement instructions along with instructions on the return of the defective parts back to Eralux.

LUMEN MAINTENANCE – L70 at 50,000 hours

Rated for 70% initial lumen output at 50,000 hours of operation, operated at 25°C ambient temperature; per guidelines published by the Illuminating Engineering Society (IES).

DATE	
PROJECT NAME	
TYPE	
QTY	
ORDERING CODE	AE-OD-ZR - W CA - - -T - -BZ



ORDERING GUIDE

EXAMPLE: AE-OD-ZR-100WCA-D-40-T3-A-BZ

FIXTURE FAMILY	POWER	VOLTAGE	CONTROLS	CCT	DISTRIBUTION	MOUNTING TYPE	FINISH
AE-OD-ZR	- W	CA	-	-	-T	-	-BZ
AE-OD-ZR ERALUX ZR(ZORRO) Series Outdoor Area Light fixture	-100W 100 Watts: 13,000 lumens	CA 120-347Vac input voltage range	-D 0-10V external dimming down to 10%	-40 4000K CCT	-T3 Type 3	-A Slip Fitter	-BZ Bronze finish
	-150W 150 Watts: 19,500 lumens					-B Direct mount	
	-200W 200 Watts: 26,000 lumens		-P Photocontrol daylight sensor	-50 5000K CCT	-T4 Type 4	-C Yoke mount	
	-240W 240 Watts: 31,200 lumens					-D No Mounting	
	-300W 300 Watts: 39,000 lumens					-E U Bracket Floodlight Mount	
					-T5 Type 5		

ACCESSORIES

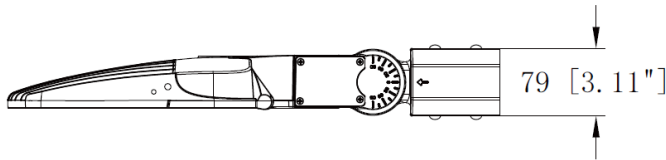
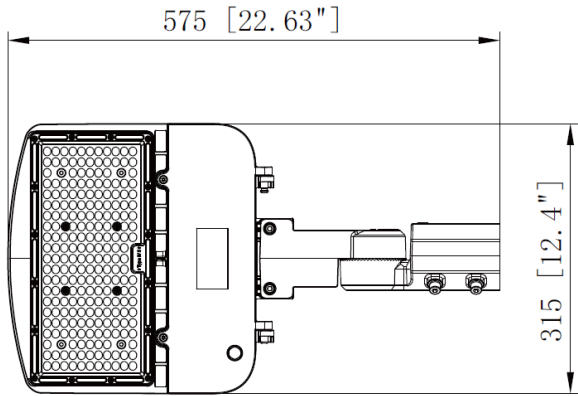
Ordered separately, field installed

PART NUMBER	DESCRIPTION	PICTURE
AE-OD-RZ-PHOTOCELL-HV	High voltage photocell giving fixture the feature to automatically turn on or off depending on sunlight	
AE-OD-RZ-PHOTOCELL-UV	Low voltage photocell giving fixture the feature to automatically turn on or off depending on sunlight	
AE-OD-ZR-U-SHIELD-150W AE-OD-ZR-U-SHIELD-300W	Optical shield for Zorro Used to eliminate back light	

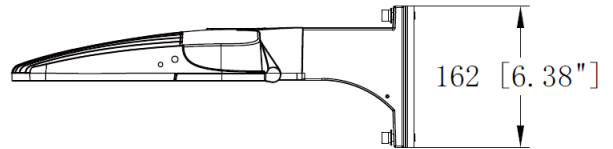
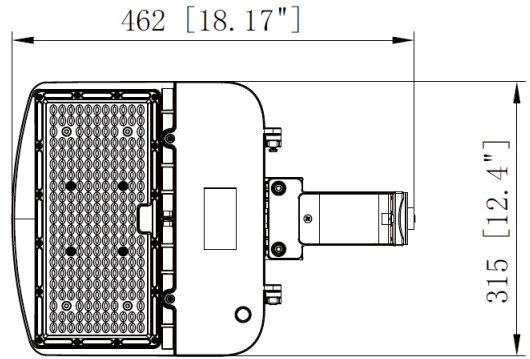
DATE								
PROJECT NAME								
TYPE								
QTY								
ORDERING CODE	AE-OD-ZR	-	W	CA	-	-T	-	-BZ

PRODUCT DIMENSIONS – 100W & 150W

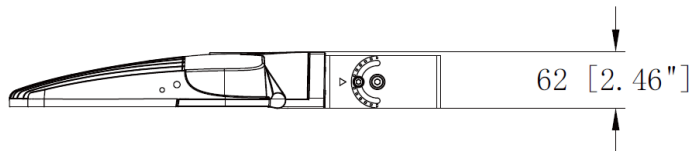
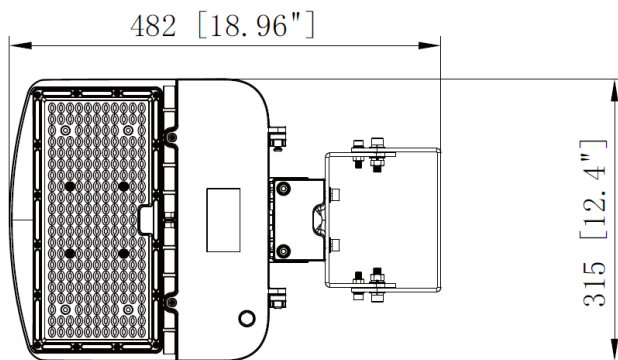
Slip Fitter mounting



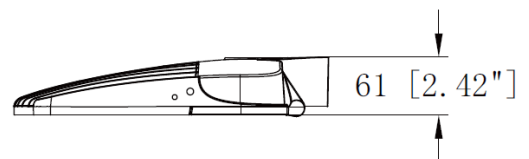
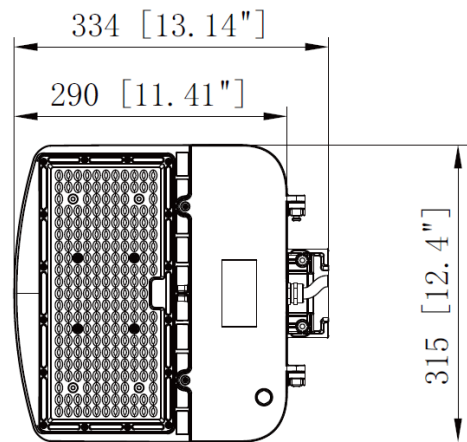
Direct mounting



Yoke mounting



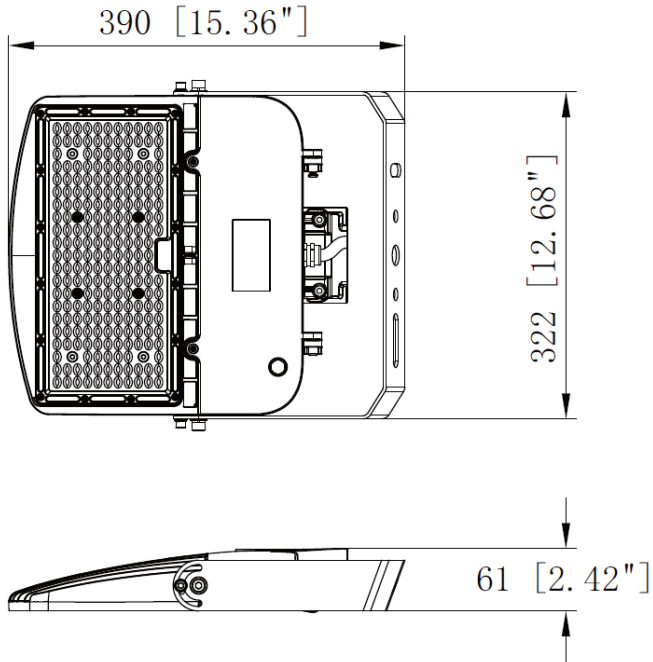
No mounting



DATE	
PROJECT NAME	
TYPE	
QTY	
ORDERING CODE	AE-OD-ZR - W CA - - -T - -BZ

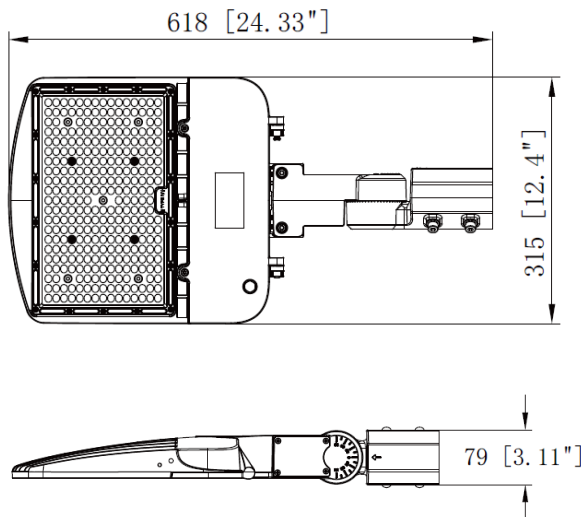
PRODUCT DIMENSIONS – 100W & 150W

Floodlight U Bracket mounting

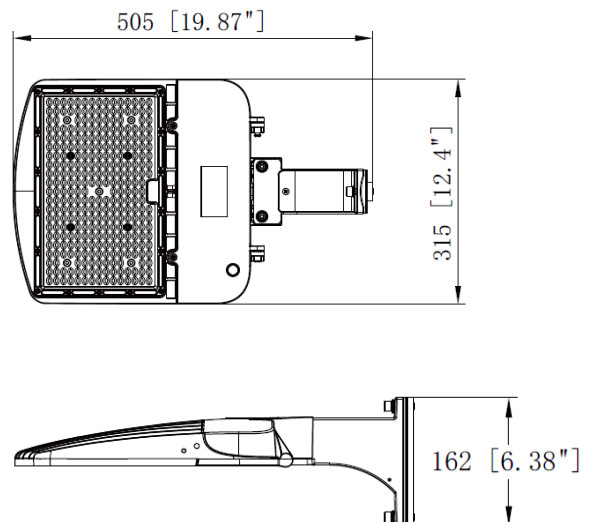


PRODUCT DIMENSIONS – 200W

Slip Fitter mounting



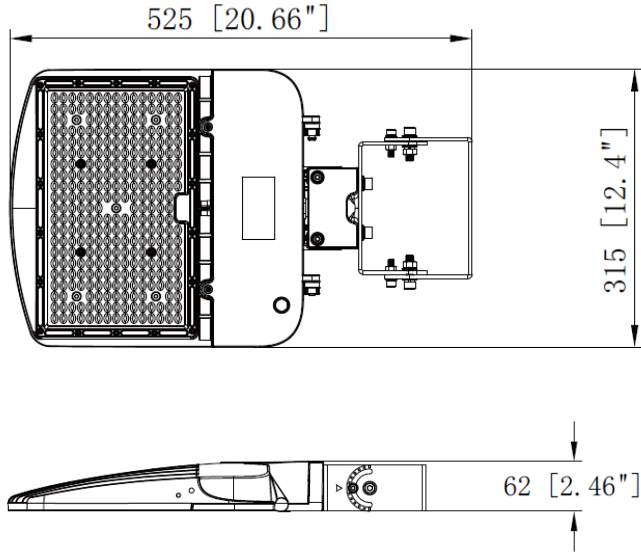
Direct mounting



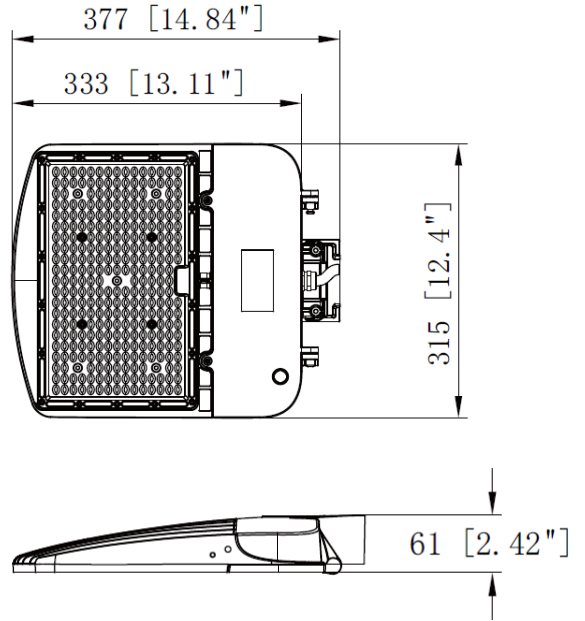
DATE	
PROJECT NAME	
TYPE	
QTY	
ORDERING CODE	AE-OD-ZR - W CA - - -T - -BZ

PRODUCT DIMENSIONS – 200W

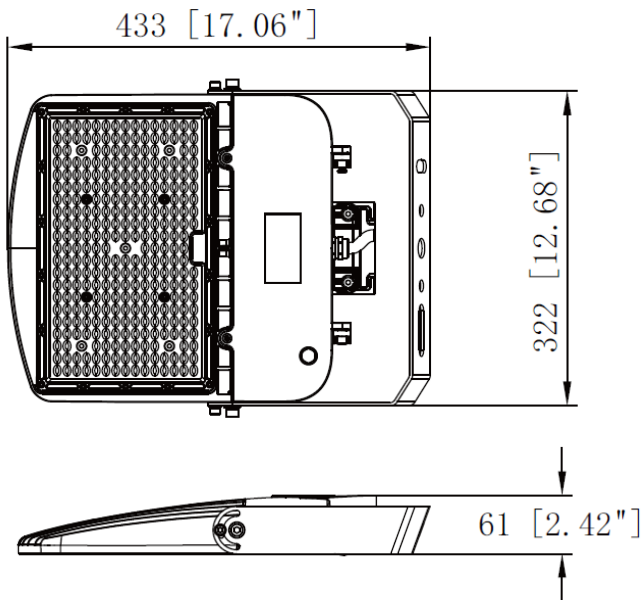
Yoke mounting



No mounting



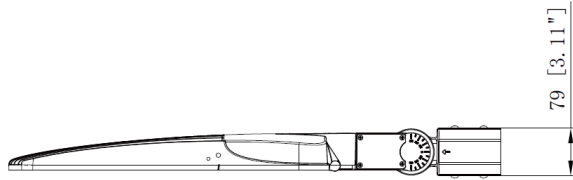
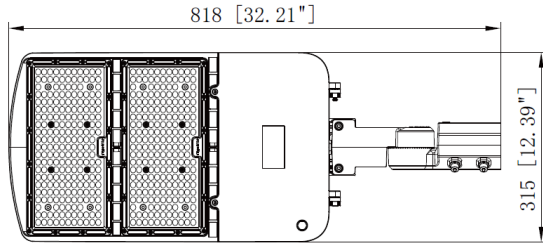
Floodlight U Bracket mounting



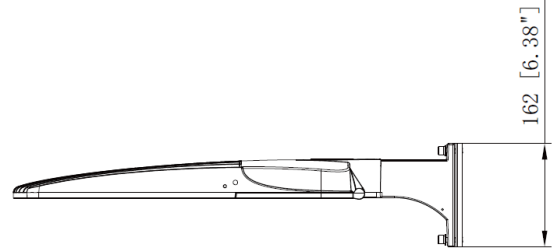
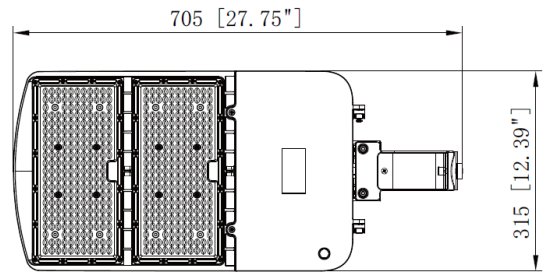
DATE	
PROJECT NAME	
TYPE	
QTY	
ORDERING CODE	AE-OD-ZR - W CA - - -T - -BZ

PRODUCT DIMENSIONS – 240W & 300W

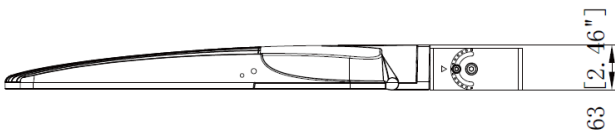
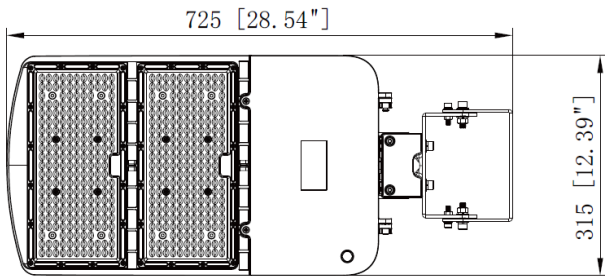
Slip Fitter mounting



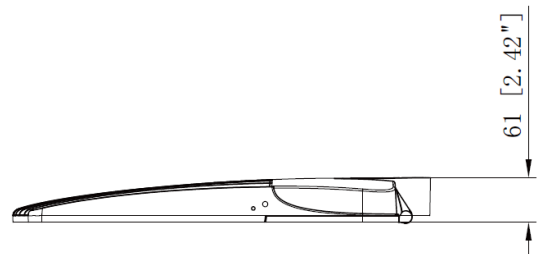
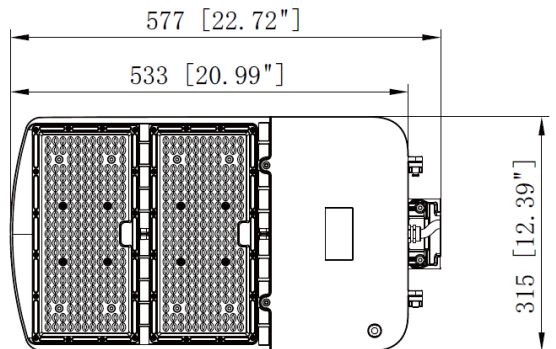
Direct mounting



Yoke mounting

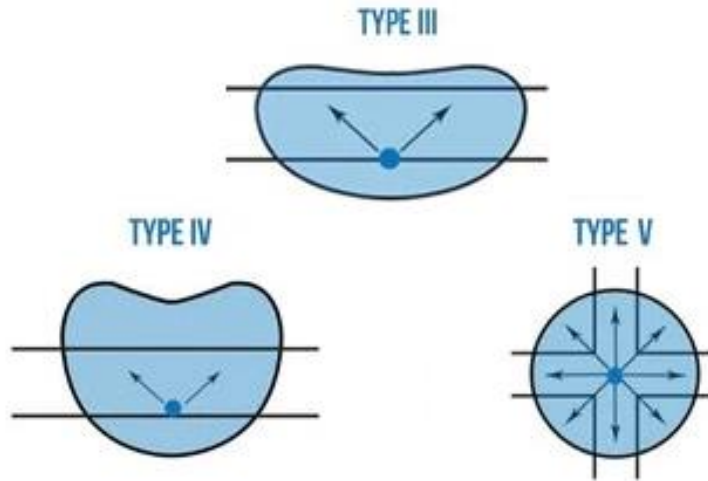


No mounting



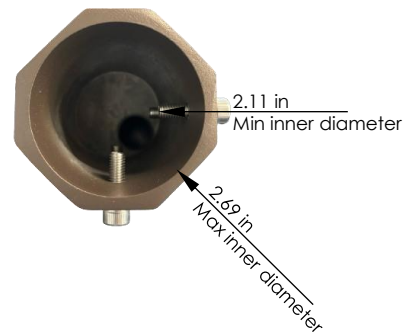
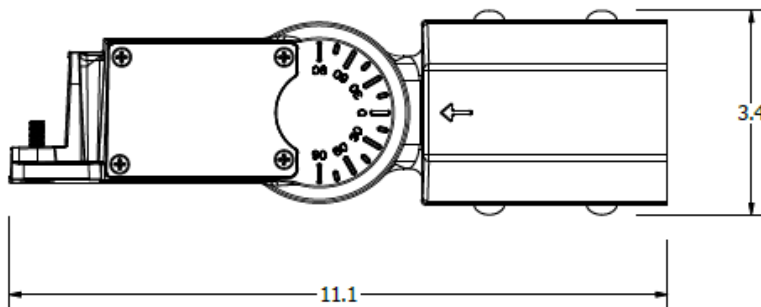
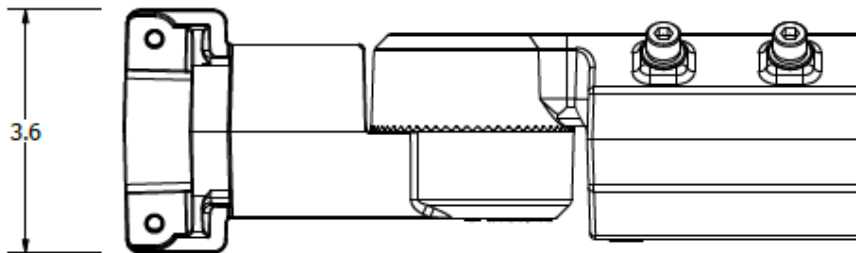
DATE	
PROJECT NAME	
TYPE	
QTY	
ORDERING CODE	AE-OD-ZR - W CA - - -T - -BZ

LIGHT DISTRIBUTION



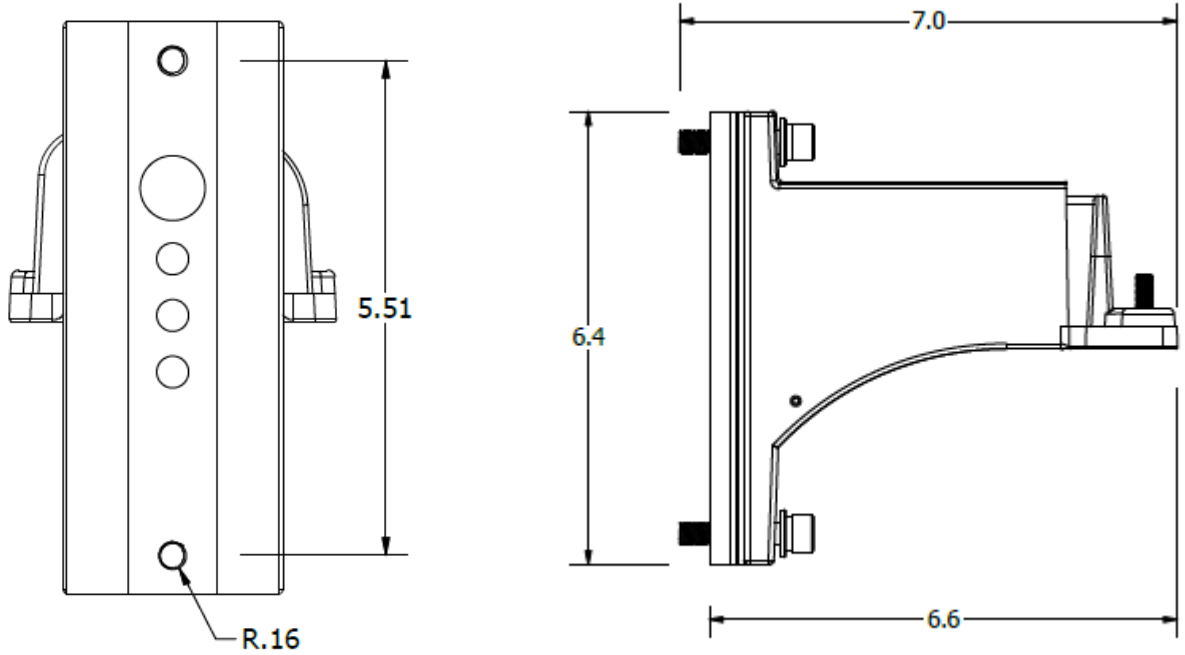
BRACKETS DIMENSIONS(IN INCHES)

TYPE A : SLIP FITTER

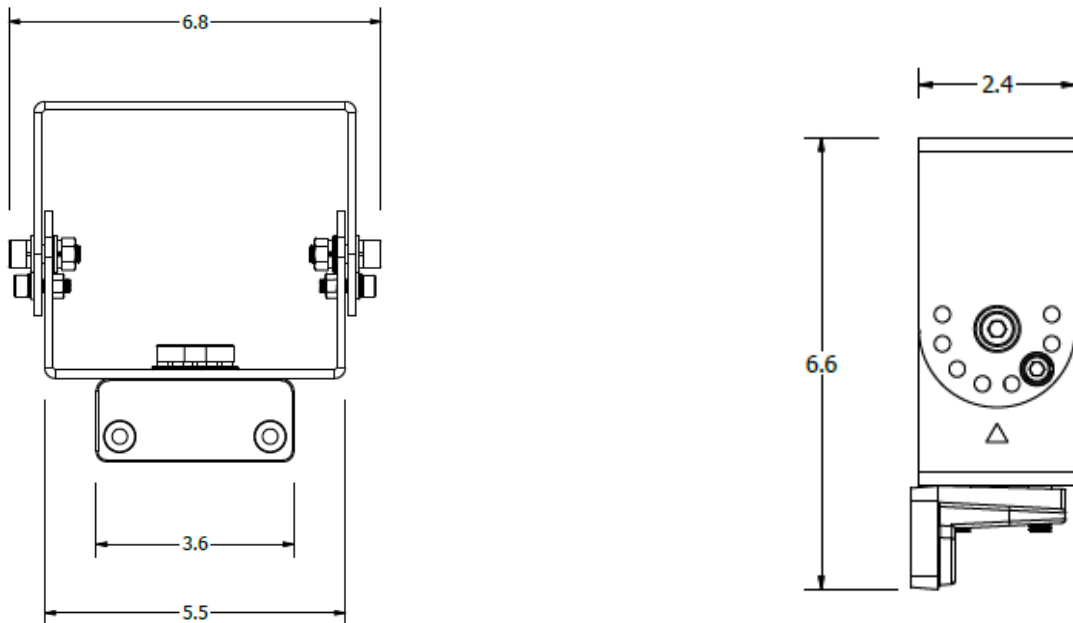


DATE	
PROJECT NAME	
TYPE	
QTY	
ORDERING CODE	AE-OD-ZR - W CA - - -T - -BZ

TYPE B : DIRECT MOUNT

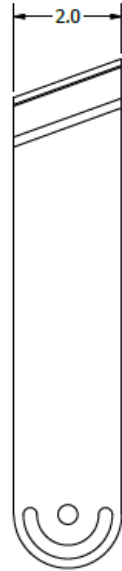
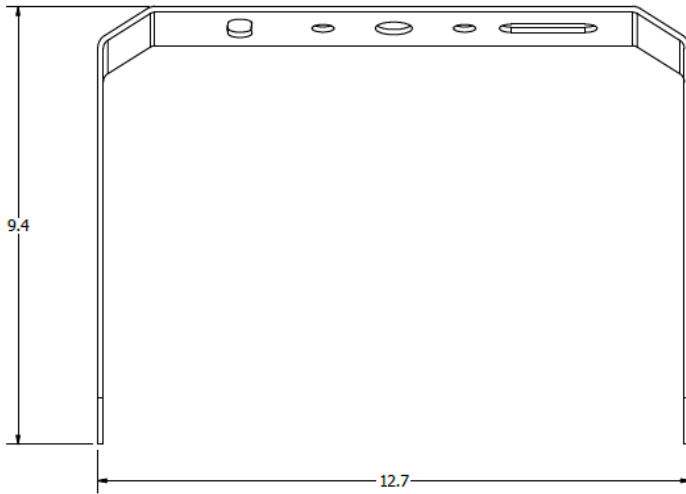


TYPE C : YOKE MOUNT

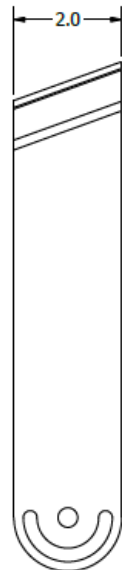
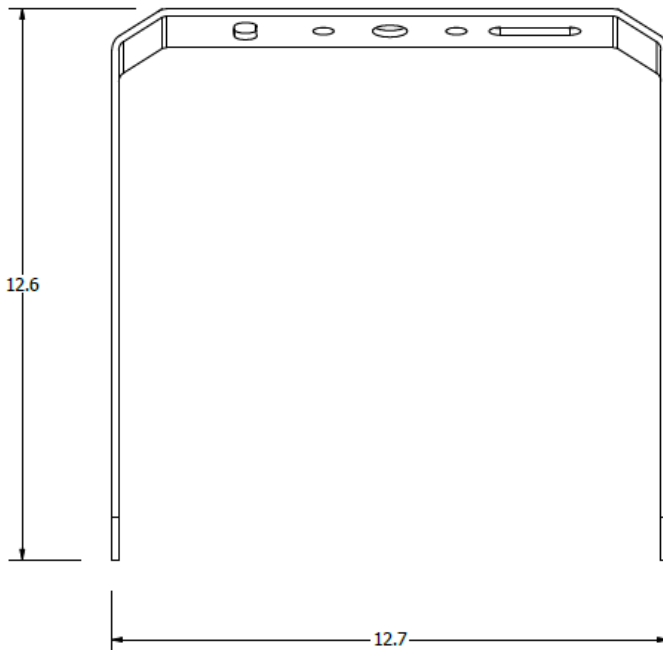


DATE	
PROJECT NAME	
TYPE	
QTY	
ORDERING CODE	AE-OD-ZR - W CA - -T - -BZ

TYPE E : U BRACKET FLOOD LIGHT MOUNT (150W)



TYPE E : U BRACKET FLOOD LIGHT MOUNT (300W)



DATE	
PROJECT NAME	
TYPE	
QTY	
ORDERING CODE	AE-OD-ZR - W CA - - -T - -BZ

WEIGHT INFORMATION WITH ACCESSORIES

POWER	ACCESSORIES	WEIGHT (lbs/kg)
-100W	SF	9.14/4.15
	DI	8.75/3.97
	YM	9.19/4.17
	No mounting	6.28/2.85
	UB	8.30/3.77

POWER	ACCESSORIES	WEIGHT (lbs/kg)
-150W	SF	9.34/4.24
	DI	8.95/4.06
	YM	9.39/4.26
	No mounting	6.48/2.94
	UB	8.50/3.86

POWER	ACCESSORIES	WEIGHT (lbs/kg)
-200W	SF	9.82/4.45
	DI	9.43/4.28
	YM	9.87/4.48
	No mounting	6.96/3.16
	UB	8.98/4.08

POWER	ACCESSORIES	WEIGHT (lbs/kg)
-240W	SF	13.17/5.97
	DI	12.78/5.80
	YM	13.22/6.00
	No mounting	10.31/4.68

POWER	ACCESSORIES	WEIGHT (lbs/kg)
-300W	SF	13.61/6.18
	DI	13.22/6.00
	YM	13.66/6.20
	No mounting	10.75/4.88

EPA (Effective Projected Area) WITH ACCESSORIES

POWER	ACCESSORIES	Frontal Projected Area (sq ft)	EPA(FT ²)	Drag Coefficient
100W & 150W	SF	1.23	1.476	1.2
	DI	1.21	1.452	1.2
	YM	1.16	1.392	1.2

POWER	ACCESSORIES	Frontal Projected Area (sq ft)	EPA(FT ²)	Drag Coefficient
200W	SF	1.37	1.644	1.2
	DI	1.35	1.62	1.2
	YM	1.3	1.56	1.2

POWER	ACCESSORIES	Frontal Projected Area (sq ft)	EPA(FT ²)	Drag Coefficient
240W & 300W	SF	2.16	2.592	1.2
	DI	2.14	2.568	1.2
	YM	2.09	2.508	1.2

eralux® ZR(ZORRO)

OUTDOOR PRODUCTS

Outdoor Area Light

DATE	
PROJECT NAME	
TYPE	
QTY	
ORDERING CODE	AE-OD-ZR - W CA - - -T - -BZ

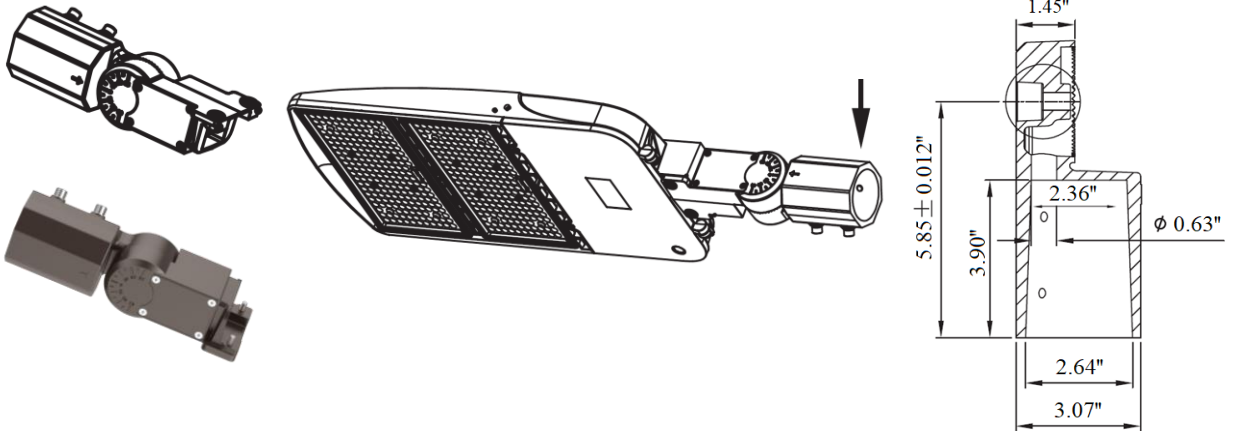
ACCESSORIES

Ordered separately

MOUNTING METHODS

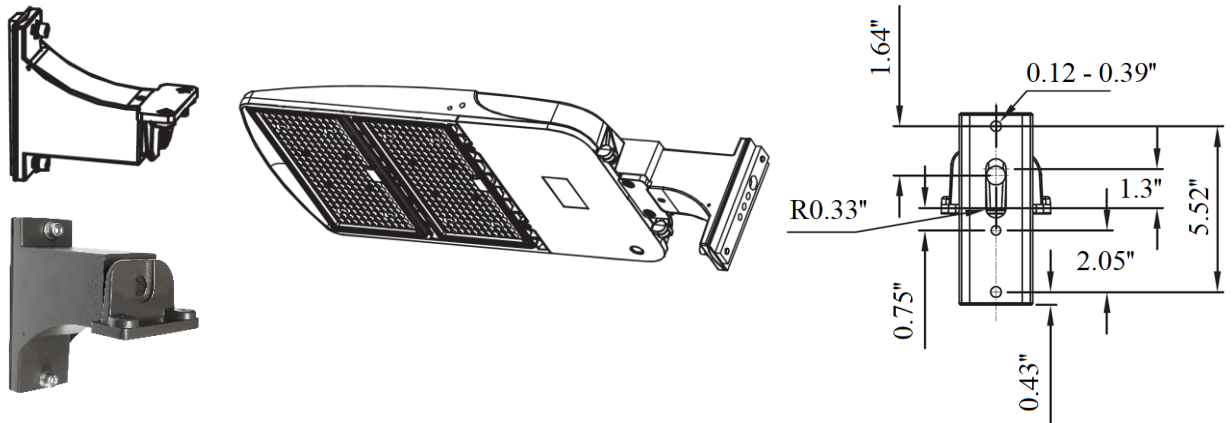
AE-OD-ZR-SF-BZ

Slip fitter bronze finish



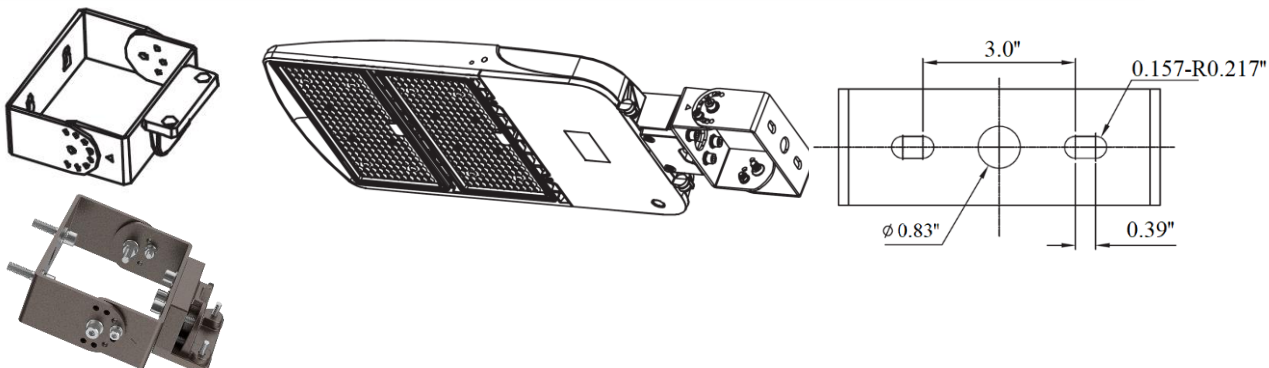
AE-OD-ZR-DI-BZ

Direct mounting bronze finish



AE-OD-ZR-YM-BZ

York Mount bronze finish



DATE	
PROJECT NAME	
TYPE	
QTY	
ORDERING CODE	AE-OD-ZR - W CA - - -T - -BZ

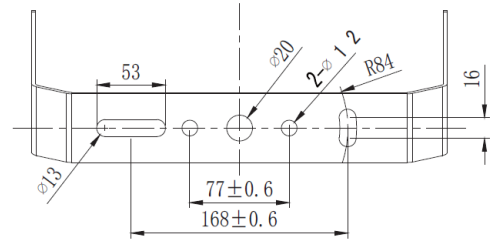
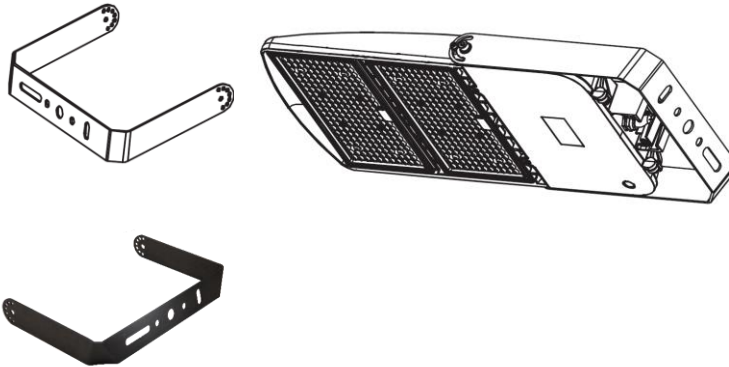
ACCESSORIES

Ordered separately

MOUNTING METHODS

AE-OD-ZR-FL-UB-100/150/200-BZ

Floodlight U Bracket bronze finish



B-U-G RATING

POWER	DISTRIBUTION	B-U-G
100W	T3	B4-U3-G4
	T4	B2-U3-G2
	T5	B3-U3-G1
150W	T3	B3-U3-G3
	T4	B3-U3-G3
	T5	B4-U3-G2
200W	T3	B3-U3-G3
	T4	B3-U3-G3
	T5	B4-U3-G2
240W	T3	B4-U3-G4
	T4	B4-U3-G4
	T5	B5-U3-G2
300W	T3	B4-U3-G4
	T4	B4-U3-G4
	T5	B5-U3-G3

DATE	
PROJECT NAME	
TYPE	
QTY	
ORDERING CODE	AE-OD-ZR - W CA - - -T - -BZ

LUMEN ESTIMATE

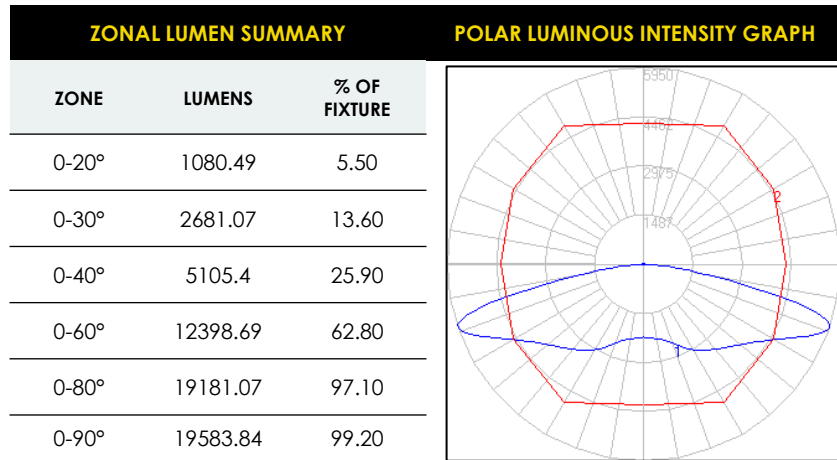
Lumen output varies based on CCT and CRI. An estimate of lumen output of the various CCT/CRI combinations, use correction factors as per table below:

LUMEN ESTIMATE ADJUSTMENT FACTORS				
CCT	2700K	3000K	3500K	4000K
NORMAL (80CRI)	0.91	0.94	0.97	1

PHOTOMETRIC DATA

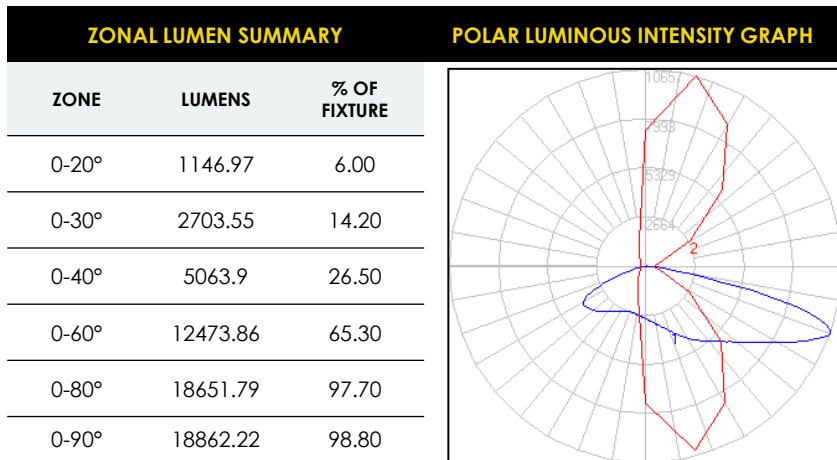
AE-OD-ZR-100WCA-D-40-T3-X-X

- TYPE 3 DISTRIBUTION
- 100 WATTS
- 5000K CCT



AE-OD-ZR-150WCA-D-40-T3-X-X

- TYPE 3 DISTRIBUTION
- 100 WATTS
- 5000K CCT

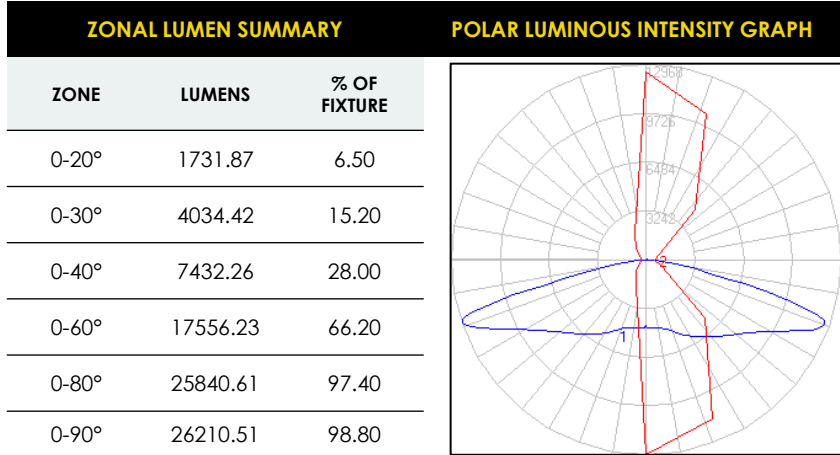


DATE	
PROJECT NAME	
TYPE	
QTY	
ORDERING CODE	AE-OD-ZR - W CA - - -T - -BZ

PHOTOMETRIC DATA

AE-OD-ZR-200WCA-D-40-T3-X-X

- TYPE 3 DISTRIBUTION
- 200 WATTS
- 5000K CCT

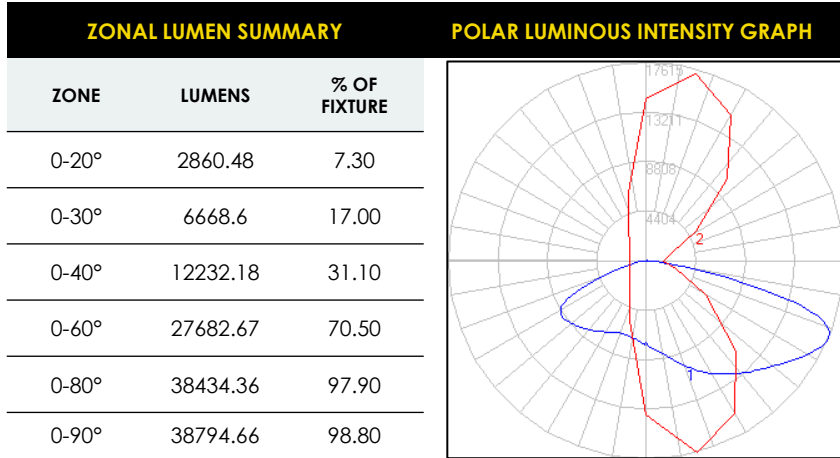


AE-OD-ZRE-300W-CA-X-T3-X (300W & 5000K)

.300W

.5000K CCT

. TYPE 3 DISTRUBTION



DIMMER COMPATIBILITY LIST

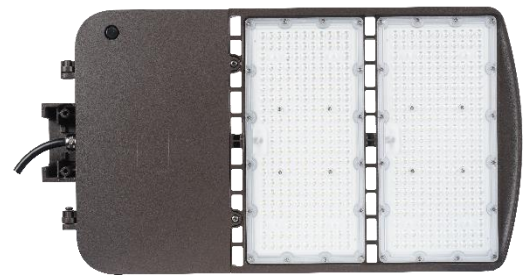
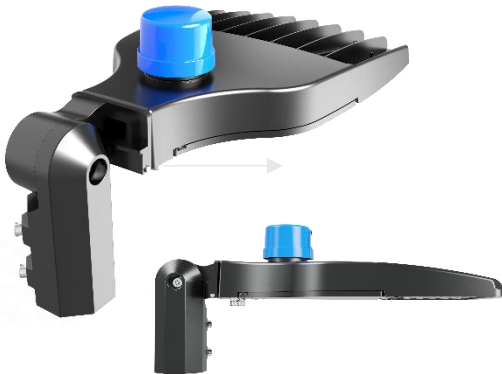
0-10V Dimmer
LUTRON DVSTV
LUTRON NTSTV-DV
LUTRON DDTV
LEVITON AWSMT-7DW
LEVITON DD710-BDZ

0-10V Dimmer
LEVITON DS710-10Z
LEGRAND WS4FBL3PTC
LEGRAND RH4FBL3PTC
COOPER SF10P
HUBBLE LHD-IRS3-N-WH

DATE	
PROJECT NAME	
TYPE	
QTY	
ORDERING CODE	AE-OD-ZR - W CA - -T - -BZ

OVERVIEW

IP 65



ENERGY-EFFICIENT

High efficacy output of up to 130 lumen per watt at 80 CRI will enhance your outdoor project space while reducing energy expenditure.

ACCESSORIES

Select photocell to enhance your fixture's abilities.

MULTIPLE MOUNTING METHODS

Choose from direct bracket, slip fitter, or yoke mounting each with an adjustable angle.

PREMIUM MATERIALS AND DESIGN

Constructed from aluminum die-cast for superior structural strength, coupled with a heat sink designed directly into the fixture's housing allows for enhanced thermal heat dissipation using no additional mechanical components.