

MOTISI

OUTDOOR PRODUCTS

Outdoor wall pack light



The Motisi Series wall packs are high-efficacy luminaires with an uncompromisable waterproof die-cast aluminum shell. Its robust housing has been developed to act as a heat sink which manages its temperature extremely well, protecting it from the harsh outdoor elements. It can be used in below freezing points and extremely hot temperatures, making it a highly versatile wall pack.

OPERATING & ELECTRICAL

Input voltage 120-277V, 120-347V
Power factor 0.9
Total harmonic distortion (THD) <20%
Dimming 0-10V external dimming down to 10%

PERFORMANCE

Lumens per Watt 130 LPW at 70CRI
Power 30, 40, 60, 80, 100, 120W
Distribution Type 3 (Full cut-off)

MECHANICAL & HOUSING

Housing Aluminum die cast housing for superior heat dissipation, strength, and rigidity.
Lens Highly durable polycarbonate lens ensures high efficiency light output for a clean, evenly illuminated surface with minimal glare. High transmittance lens allowing for a smooth, diffused light pattern. Glass lens available

Finish Black, bronze, nebula white, aluminum powder coat finish options for the toughest outdoor conditions
Power Supply Factory wired electronic LED driver
LED Board Light emitted source

APPLICATION CONDITION

Ambient temperature range -30 to 45°C
Protection IP65
Surge protection L-N: 2kV, L/N-PE: 4kV

COMPATIBLE MOUNTING

Mounting Surface

WARRANTY

System warranty 5 years
Lumen maintenance Rated for 70% initial lumen output at 50,000 hours of operation, operated at 25°C ambient temperature; per guidelines published by the Illuminating Engineering Society (IES). (L70 at 50,000 hours)

ORDERING GUIDE

EXAMPLE: AE-WP-MT-060L-D-40-BK

AE-WP-MT	-040	L	-D	-40	-BK
FIXTURE FAMILY	POWER	VOLTAGE	CONTROL	CCT	FINISH
AE-WP-MT ERALUX Motisi Series outdoor wall pack light fixture	-030 30 Watts: 3,900 lumens	L 120-277Vac input voltage range	-D 0-10V external dimming down to 10%	-40 4000K CCT	-BK Black powder coat finish
	-040 40 Watts: 5,200 lumens				
	-060 60 Watts: 7,800 lumens				
	-080 80 Watts: 10,400 lumens	M 120-347Vac input voltage range	-P Photocell daylight sensor (Only for L option)	-50 5000K CCT	-BZ Bronze powder coat finish
	-100 100 Watts: 13,000 lumens				-WH ERALUX nebula white powder coat finish*
	-120 120 Watts: 15,600 lumens				-AL Aluminum (RAL9006) powder coat finish*
			-EMBB 4 watt: 90-minute emergency back-up battery kit		

*Contact for details on leadtime and availability

ERALUX Incorporation All Rights Reserved. Any information provided is subject to change without notice. All values are typical values when measured under normal laboratory conditions.

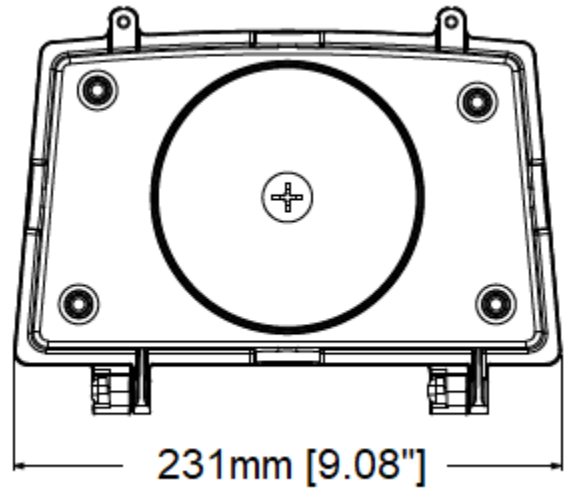
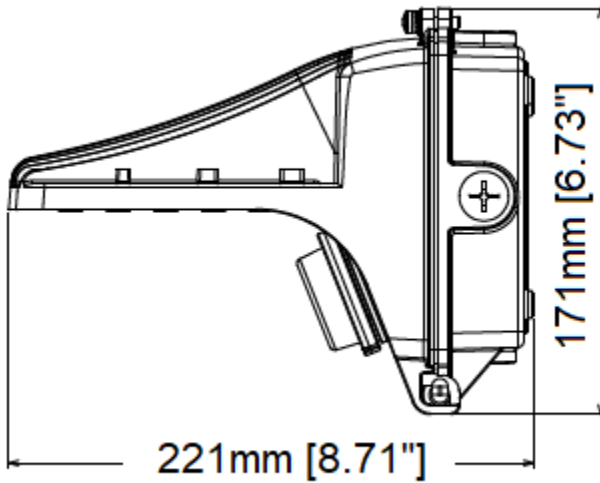




PRODUCT DIMENSIONS

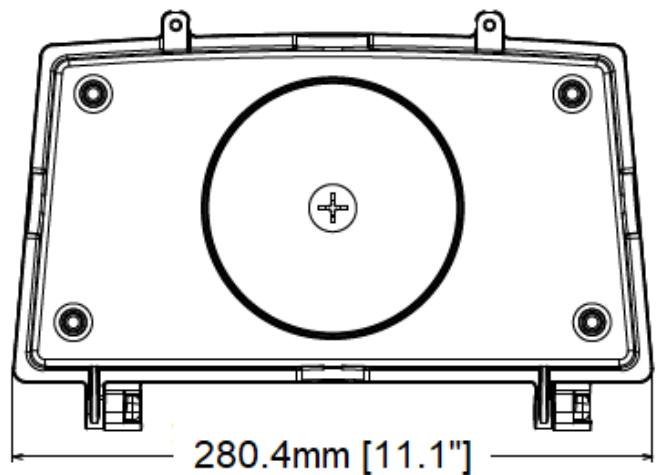
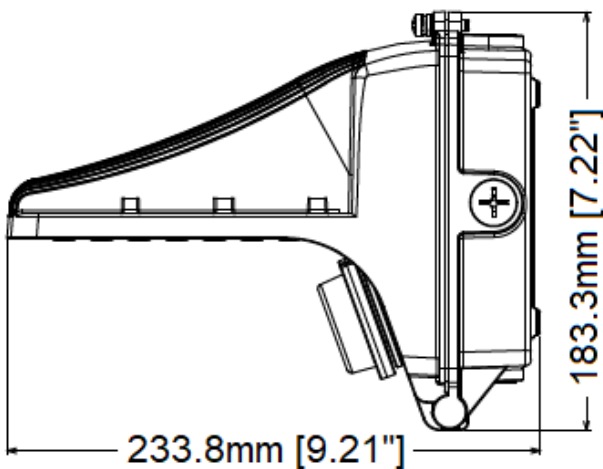
120-277Vac: 30W, 40W, 60W, 80W

120-347Vac: 30W, 40W, 60W



120-277Vac: 100W, 120W

120-347Vac: 80W, 100W, 120W



LUMEN ESTIMATE

Lumen output varies based on CCT and CRI. An estimate of lumen output of the various CCT/CRI combinations, use correction factors as per table below:

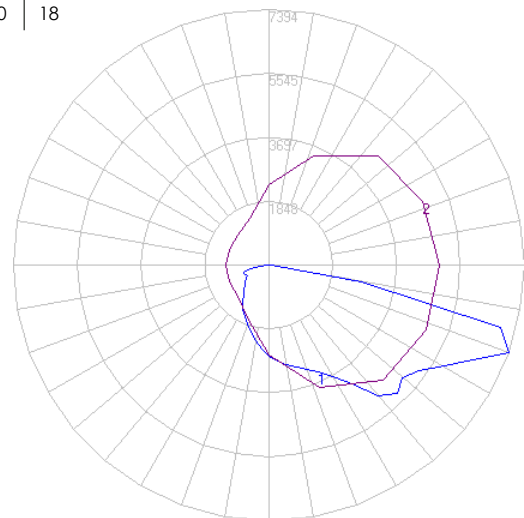
Lumen estimate adjustment factors				
CCT	2700K	3000K	3500K	4000K
NORMAL (80CRI)	0.91	0.94	0.97	1

PHOTOMETRIC DATA

AE-WP-MT-100L-D-50-XX

Coefficients of utilization											
Ceiling	80%				70%		50%		30%		0%
Wall	70%	50%	30%	10%	50%	10%	50%	10%	50%	10%	0
RCR	Zonal Cavity Method – Effective floor reflectance = 20%										
	119	119	119	119	116	116	111	111	106	106	100
1	107	102	97	93	100	91	95	88	91	86	81
2	96	87	79	73	85	72	81	70	78	69	65
3	87	75	66	59	73	58	70	57	67	56	52
4	79	65	56	48	64	48	61	47	59	46	43
5	72	57	48	40	56	40	54	40	52	39	36
6	66	51	41	34	50	34	48	34	46	33	31
7	60	46	36	30	45	29	43	29	42	29	27
8	56	41	32	26	41	26	39	26	38	25	23
9	52	38	29	23	37	23	36	23	35	22	20
10	48	34	26	20	34	20	33	20	32	20	18

Zonal lumen			
Zone	Lumens	Zone	Lumens
0-10	251.72	90-100	18.16
10-20	772.14	100-110	5.22
20-30	1317.53	110-120	4.99
30-40	1956.89	120-130	4.81
40-50	2526.69	130-140	4.16
50-60	2574.37	140-150	3.67
60-70	2030.07	150-160	2.92
70-80	1281.69	160-170	1.93
80-90	279.88	170-180	0.7





OVERVIEW



ACCESSORIES

Choose from accessories such as photocell daylight sensors, emergency battery-backup kits and more to fulfill project needs.

LENS

Highly durable polycarbonate lens ensures high-efficiency light output for a clean, evenly illuminated surface.

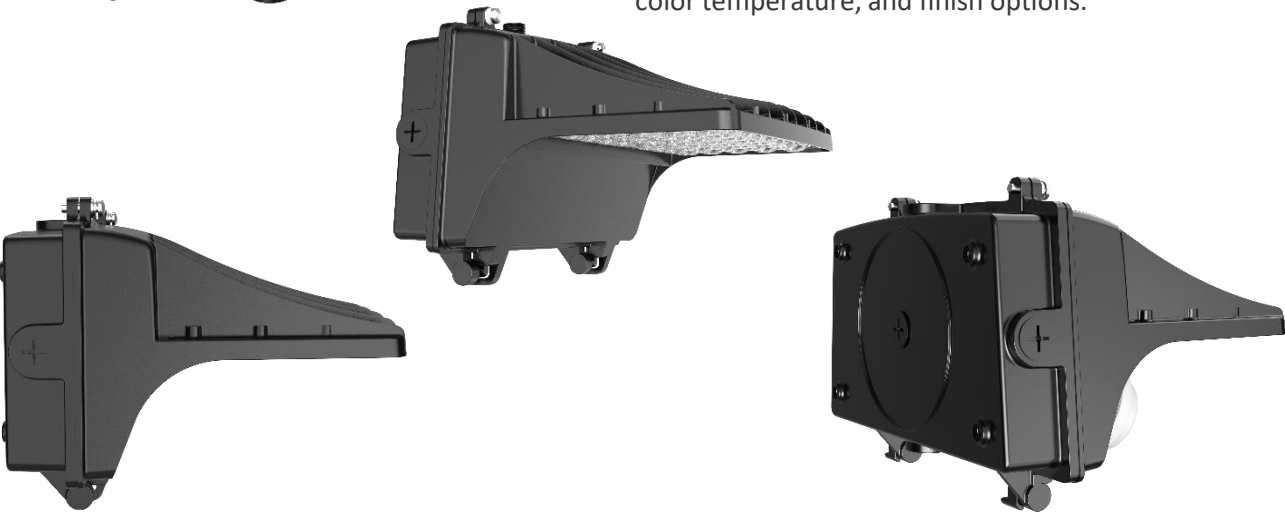


INTEGRATED HEAT SINK

Value-engineered design incorporates thermal heat sink into the fixture's structure and no requirement for extra components ensuring long lasting LED and driver function.

MULTIPLE POWER OPTIONS

Select from lumen packages ranging from 5200 to 13000 lumens and a variety of color temperature, and finish options.



ERALUX Inc.
1-514-447-7598 | 1-332-282-3920
www.ERALUX.com