

# SPINEL TUNABLE

LINEAR FIXTURES

Linear architectural lighting



The SPINEL series light features a 30% up-light and a 70% downlight, ideal for office space to ensure a uniformly lit working space. These fixtures can be mounted in a continuous row seamlessly. The SPINEL also features the selectable CCT capabilities enabling the end user to set up their environment to the right ambiance.

Project: \_\_\_\_\_  
 Qty: \_\_\_\_\_  
 Notes: \_\_\_\_\_

### OPERATING & ELECTRICAL

**Input voltage** 120-347V  
**Power factor** 0.9  
**Total harmonic distortion (THD)** <20%  
**Dimming** 0-10V external dimming down to 10%

### PERFORMANCE

**Lumens per Watt** 105 LPW at 80CRI, 4000K  
**Power** 50, 80, 100W  
**Distribution** Lambertian 30% up-light, 70% downlight

### MECHANICAL & HOUSING

**Housing** Extruded aluminum for increased rigidity and strength  
**Lens** Highly durable polycarbonate lens ensures high efficiency light output for a clean, evenly illuminated surface with minimal glare. High transmittance lens allowing for a smooth, diffused light pattern.

### Finish

ERALUX Nebula White, ERALUX Atomic Black finish, Silver RAL7044

### Power Supply

Factory wired electronic LED driver

### LED Board

Discrete LED

### APPLICATION CONDITION

**Ambient temperature range** -10 to 40°C

### COMPATIBLE MOUNTING

**Mounting** Suspended, wall

### WARRANTY

**System warranty** 5 years  
**Lumen maintenance** Rated for 85% initial lumen output at 50,000 hours of operation, operated at 25°C ambient temperature; per guidelines published by the Illuminating Engineering Society (IES). (L85 at 50,000 hours)

ORDERING GUIDE – See next page for additional accessories

EXAMPLE: AE-SF-SPTCA45030/35/40010WH-GB

AE-SF-SPT	CA	4	50	30/35/40	010	WH-GB	
FIXTURE FAMILY	VOLTAGE	LENGTH	POWER	CCT	CONTROLS	FINISH	DIMMING
AE-SF-SPT ERALUX Spinel Selectable linear architectural fixture	CA 120-347Vac input voltage	4 4 feet length	50 50 watts: 5250 lumens 30% up-light, 70% downlight	30/35/40 3000/3500/ 4000K selectable CCT	010 0-10V external dimming	WH-GB ERALUX Nebula White	[LEAVE BLANK] None
		6 6 feet length	80 80 watts: 8400 lumens 30% up-light, 70% downlight				30/40/50 3000/4000/ 5000K selectable CCT
		8 8 feet length	100 100 watts: 10500 lumens 30% up-light, 70% downlight	SV-GB Silver – RAL9006		-EMBB* Emergency Battery Backup	

2x 6FT suspension cables included with fixture purchase  
 \*EMBB option available in 120-277V only





# SPINEL TUNABLE

LINEAR FIXTURES

Linear architectural lighting

ORDERING GUIDE...Continued

**EXAMPLE:** AE-SF-SPTCA450N40010WH-PCUV-CP5

<b>-PCUV-CP5</b>	
ACCESSORIES	
<b>BLANK</b>	
<b>-PCUV</b>	- Power cord – 120-277V
<b>-PCUV-CP5</b>	- Power cord – 120-277V with 5-inch Canopy
<b>-PCHV</b>	- Power cord – 120-347V
<b>-PCHV-CP5</b>	- Power cord – 120-347V with 5-inch Canopy

## POWER SWITCHABLE OPTIONS

<b>2FT</b>		20/30 watts switchable	20W– 2200 lms	6W up-light, 14W downlight
			30W- 3300 lms	9W up-light, 21W downlight
<b>4FT</b>	Avg 100-110 LPW	30/40/50 watts switchable	30W – 3300 lms	9W up-light, 21W downlight
			40W - 4400 lms	12W up-light, 28W downlight
			50W - 5500 lms	15W up-light, 35W downlight
<b>6FT</b>		50/60/70 watts switchable	50W - 5500 lms	15W up-light, 35W downlight
			60W - 6600 lms	18W up-light, 42W downlight
			80W - 8800 lms	24W up-light, 56W downlight
<b>8FT</b>		60/80/100 watts switchable	60W - 6600 lms	18W up-light, 42W downlight
			80W - 8800 lms	24W up-light, 56W downlight
			100W - 11000 lms	30W up-light, 70W downlight



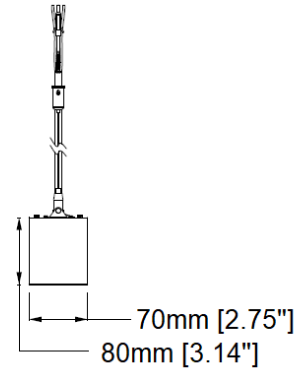
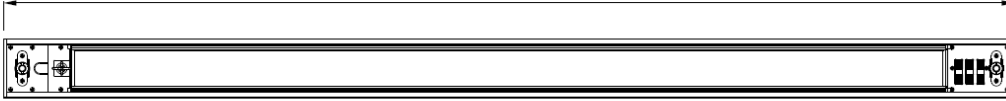
# SPINEL TUNABLE

LINEAR FIXTURES

Linear architectural lighting

## PRODUCT DIMENSIONS - SUSPENDED

1206/1806/2406mm [47.5/71.1/94.7"]



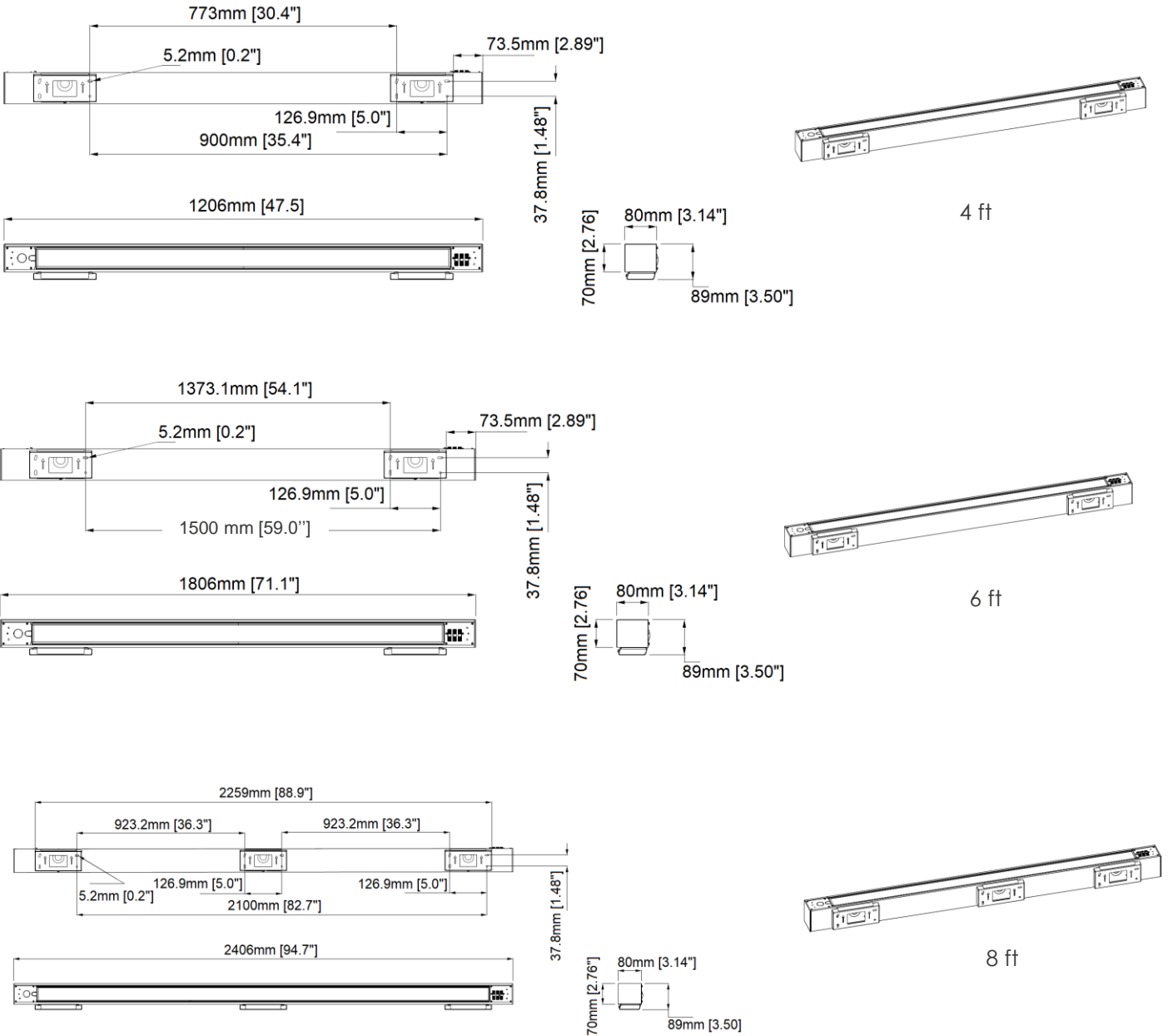


# SPINEL TUNABLE

LINEAR FIXTURES

Linear architectural lighting

## PRODUCT DIMENSIONS – WALL MOUNT





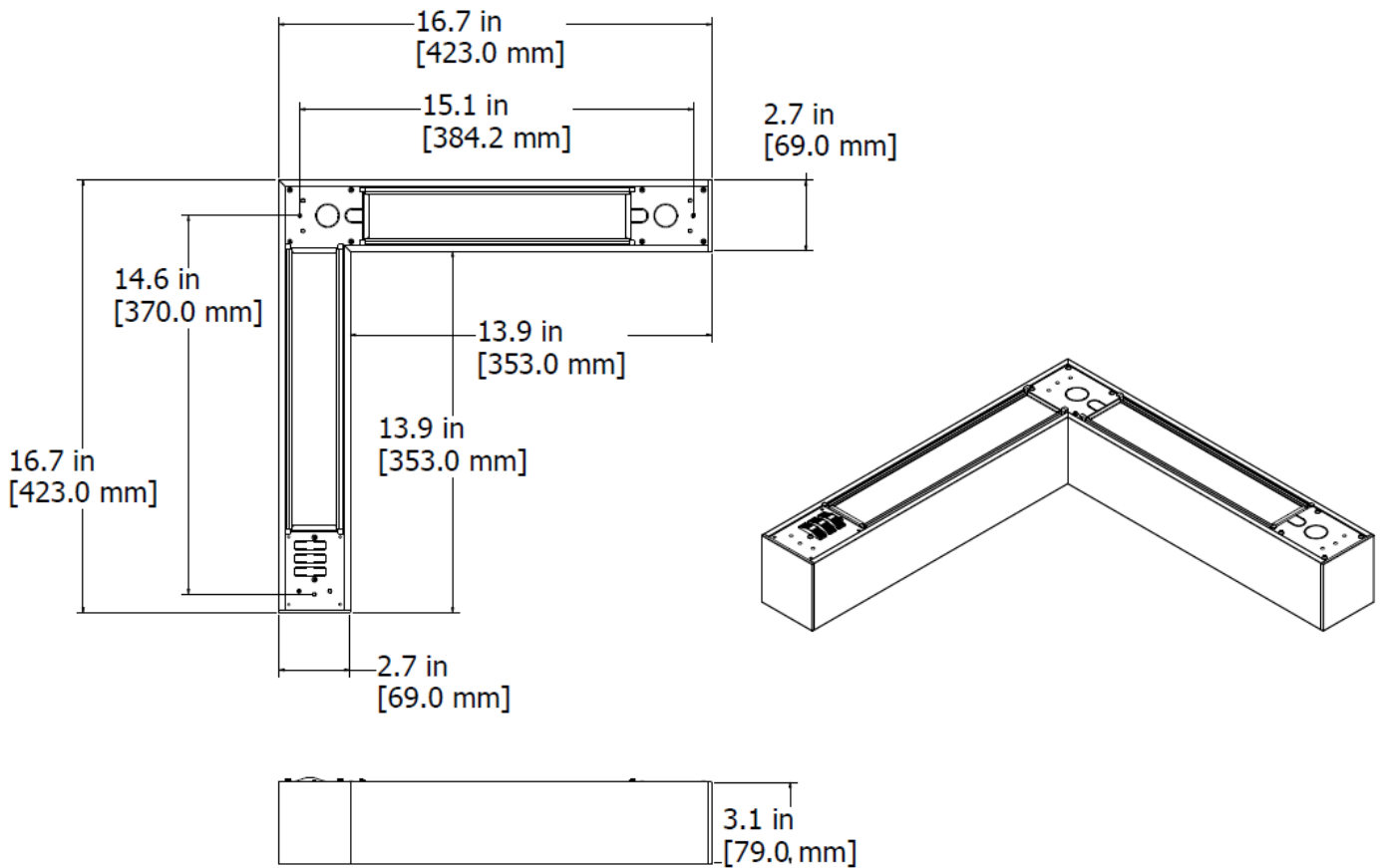
# SPINEL TUNABLE

LINEAR FIXTURES

Linear architectural lighting

## PRODUCT DIMENSIONS – L SHAPE

AE-SF-SPTCA-L-30-30/35/40-XX-GX





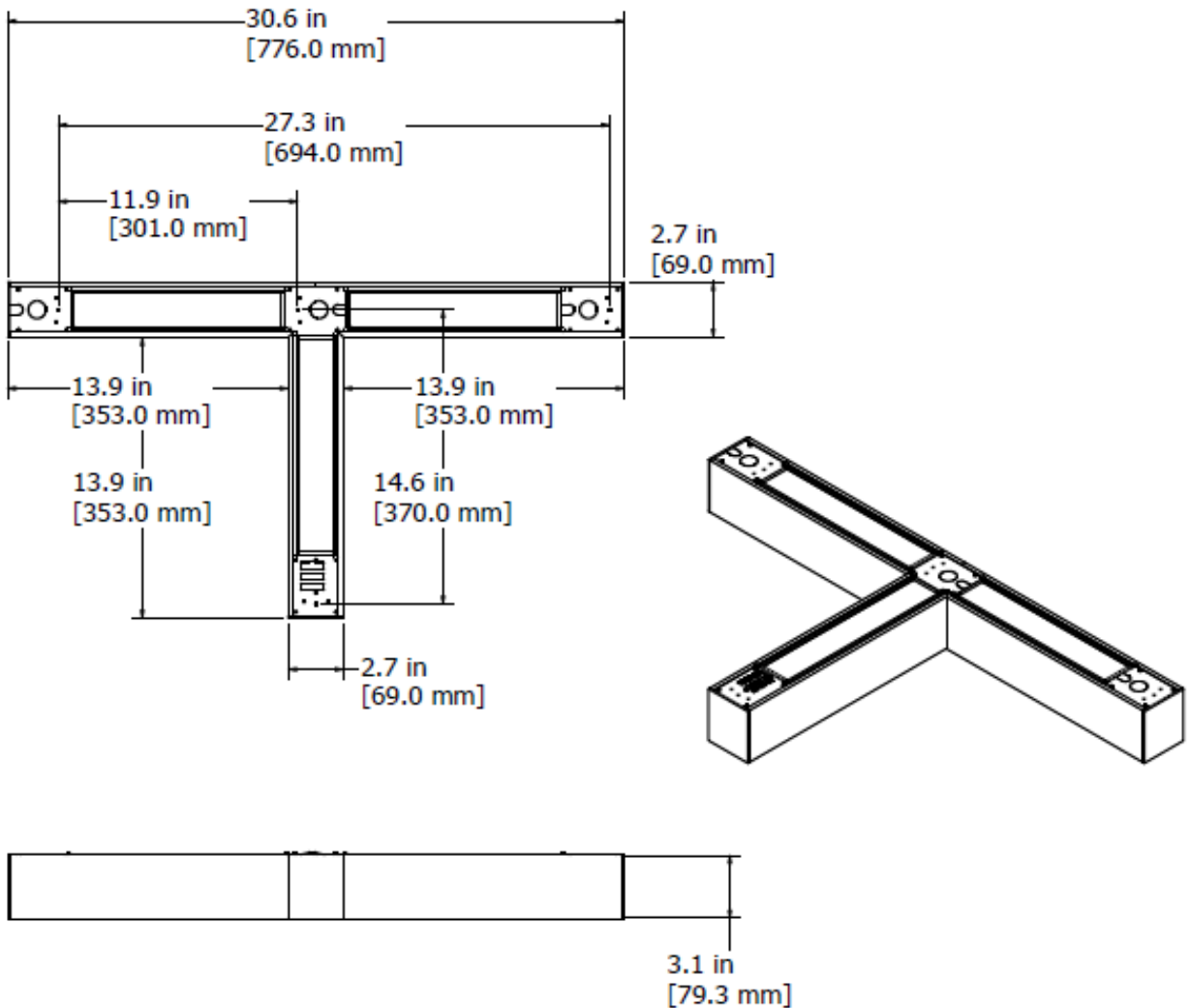
# SPINEL TUNABLE

LINEAR FIXTURES

Linear architectural lighting

## PRODUCT DIMENSIONS – T SHAPE

AE-SF-SPTCA-T-40-30/35/40-XX-GX





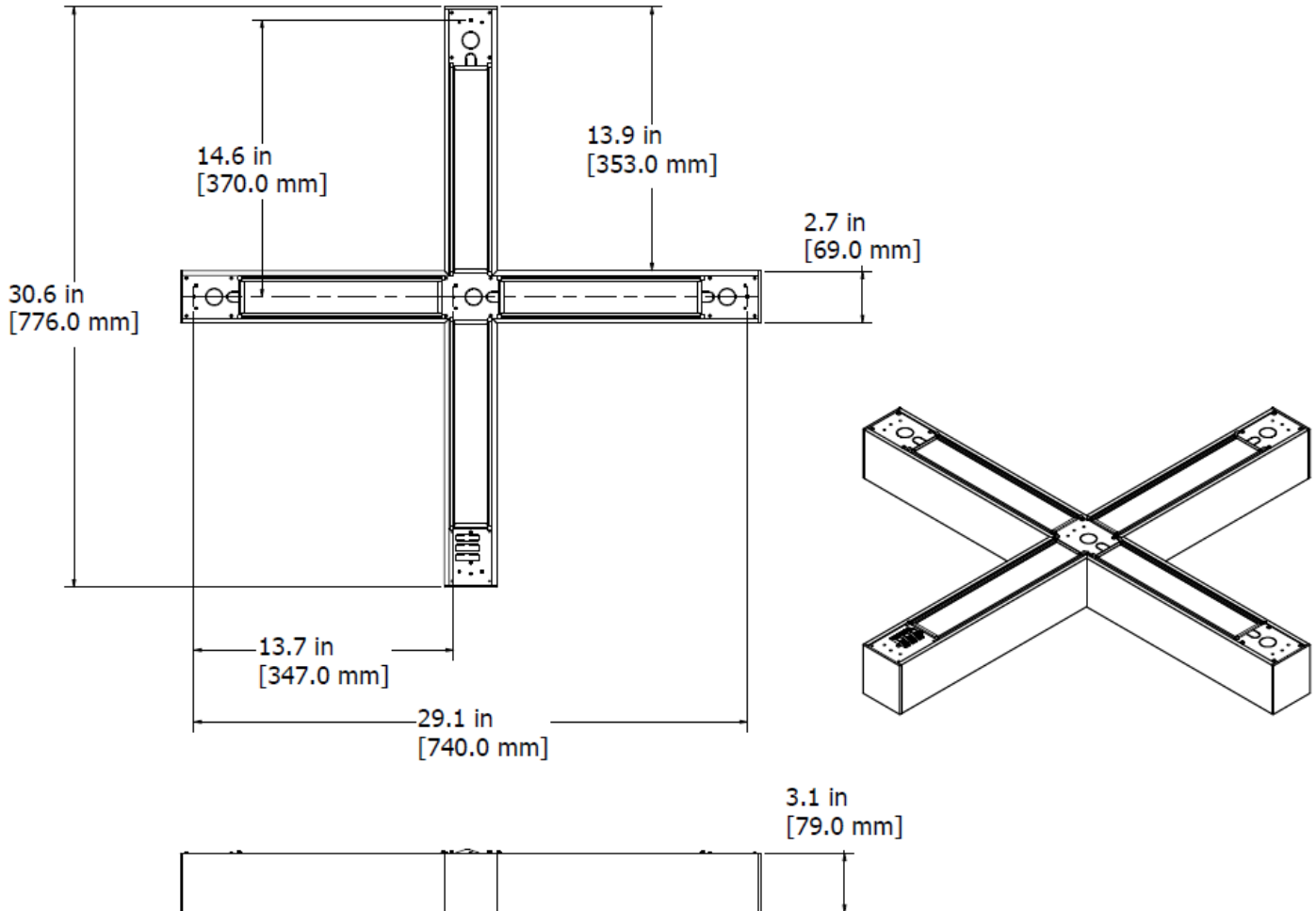
# SPINEL TUNABLE

LINEAR FIXTURES

Linear architectural lighting

## PRODUCT DIMENSIONS – X SHAPE

AE-SF-SPTCA-X-50-30/35/40-XX-GX






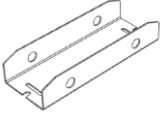





# SPINEL TUNABLE

## LINEAR FIXTURES

Linear architectural lighting

### ACCESSORIES

Ordered separately, field installed

Part Number	Description	Picture
AE-SF-CANOPY-WH-5IN AE-SF-CANOPY-BK-5IN	Canopy Cover kit: 5" diameter - for suspension without power cords – 2 pieces White or Black	
AE-SF-LINK-G2	Linkable Metal Accessory – 1 pieces	
AE-SF-WMB-WH AE-SF-WMB-BK	Wall mount kit – 2 pieces – White Wall mount kit – 2 pieces – Black	
AE-SF-PWRCORD-WH AE-SF-PWRCORD-BK	8FT power cord – 120-277V - White 8FT power cord – 120-277V - Black	
AE-SF-PWRCORD-HV-WH AE-SF-PWRCORD-HV-BK	8FT power cord – 120-347V - White 8FT power cord – 120-347V - Black	
AE-SF-PWRCORD-WH-18FT AE-SF-PWRCORD-BK-18FT	18FT power cord – 120-277V - White 18FT power cord – 120-277V - Black	
AE-SF-PWRCORD-HV-WH-18FT-B AE-SF-PWRCORD-HV-BK-18FT-B	18FT power cord – 120-347V - White 18FT power cord – 120-347V - Black	



### LUMEN ESTIMATE

Lumen output varies based on CCT and CRI. An estimate of lumen output of the various CCT/CRI combinations, use correction factors as per table below:

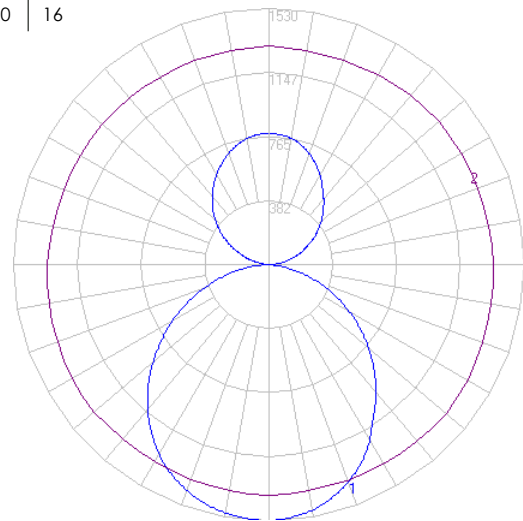
Lumen estimate adjustment factors				
CCT	2700K	3000K	3500K	4000K
NORMAL (80CRI)	0.91	0.94	0.97	1

### PHOTOMETRIC DATA

AE-SF-SPTUV450N30/35/40WWH (4000K)

Coefficients of utilization											
Ceiling	80%				70%		50%		30%		0%
Wall	70%	50%	30%	10%	50%	10%	50%	10%	50%	10%	0
RCR	Zonal Cavity Method – Effective floor reflectance = 20%										
0	111	111	111	111	105	105	93	93	82	82	67
1	101	97	93	89	91	85	81	76	72	68	56
2	92	84	78	73	80	69	71	63	63	56	47
3	84	74	66	60	70	58	63	53	56	48	39
4	77	66	57	51	62	49	56	45	49	41	34
5	71	58	50	44	55	42	50	39	44	35	29
6	65	53	44	38	50	37	45	34	40	31	26
7	60	47	39	33	45	32	41	30	37	27	23
8	56	43	35	30	41	29	37	26	33	24	20
9	52	40	32	26	38	26	34	24	31	22	18
10	49	36	29	24	35	23	31	21	28	20	16

Zonal lumen			
Zone	Lumens	Zone	Lumens
0-10	144.49	90-100	50.43
10-20	412.05	100-110	145.56
20-30	616.36	110-120	238.35
30-40	728.88	120-130	313.76
40-50	744.24	130-140	356.35
50-60	659.11	140-150	355.99
60-70	496.87	150-160	300.76
70-80	295.22	160-170	201.92
80-90	96.89	170-180	72.32



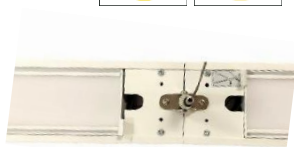
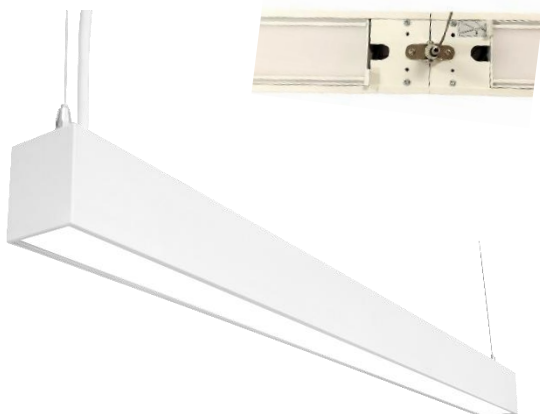
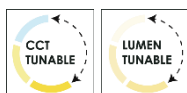


# SPINEL TUNABLE

LINEAR FIXTURES

Linear architectural lighting

## OVERVIEW



### DIRECT AND INDIRECT LIGHT

The Spinel Series provides both uplight and downlight enhancing your project space.

### FINISH

ERALUX anti-glare white and black colorways reduce object glare and provide an elegant finish. Both are standard finishes.

### CONTINUOUS MOUNTING

Seamless in both appearance and light emitting when joined together for continuous runs.

### COLOR SELECTABLE

Easily removable fixture top exposes the DIP switch to change between 3 CCT variations from warm to cool light.

### ACCESSORIES

4FT suspension cables come standard with fixture purchase. Multiple accessories such as canopy cover kits, and mounting bracket kits are available.

ERALUX Inc.  
1-514-447-7598 | 1-332-282-3920  
[www.eralux.com](http://www.eralux.com)

ERALUX Incorporation All Rights Reserved. Any information provided is subject to change without notice. All values are typical values when measured under normal laboratory conditions.

eralux