

VERMONT

OUTDOOR PRODUCTS

Outdoor canopy light



The VERMONT Series outdoor luminaire is designed as a parking garage fixture, directly customizable in a variety of power and CCT options for your lighting application needs. The curved lens features a 140° shaped beam. Its robust and durable design allow it to withstand the outdoor elements wherever placed.

Project: _____

Qty: _____

Notes: _____

OPERATING & ELECTRICAL

Input voltage 100-277V
Power factor 0.9
Total harmonic distortion (THD) <20%
Dimming 0-10V dimming

Finish Powder coat finish for the toughest outdoor conditions. Available in white color.
Power Supply Factory wired electronic LED driver
LED Board LED Array

PERFORMANCE

Lumens per Watt 125 LPW at 80CRI
Power 40, 60, 70W
Beam angle 160° bat wing beam angle

APPLICATION CONDITION

Ambient temperature range -40 to 50°C
Protection LED fixture IP65 rated

MECHANICAL & HOUSING

Housing Aluminum die cast housing for superior heat dissipation, strength, and rigidity.

Lens UV resistant, polycarbonate lens ensures high efficiency light output for a clean, evenly illuminated surface with minimal glare. High transmittance lens allowing for a smooth, diffused light pattern.

COMPATIBLE MOUNTING

Mounting Surface, 3/4" NPT pole mount

WARRANTY

System warranty 5 years
Lumen maintenance Rated for 70% initial lumen output at 100,000 hours of operation, operated at 25°C ambient temperature; per guidelines published by the Illuminating Engineering Society (IES). (L70 at 100,000 hours)

ORDERING GUIDE


EXAMPLE: AE-OD-VT25W-40

AE-OD-VT	25W	-40	-M
FIXTURE FAMILY	POWER	CCT	SENSOR
AE-OD-VT ERALUX Vermont Series outdoor canopy light fixture	25W 25 Watts: 3100 lumens	-40 4000K CCT	-[blank] No sensor
	40W 40 Watts: 5180 lumens		
	60W 60 Watts: 7750 lumens	-50 5000K CCT	-M Bi-level microwave sensor
	65W 65 Watts: 8100 lumens		



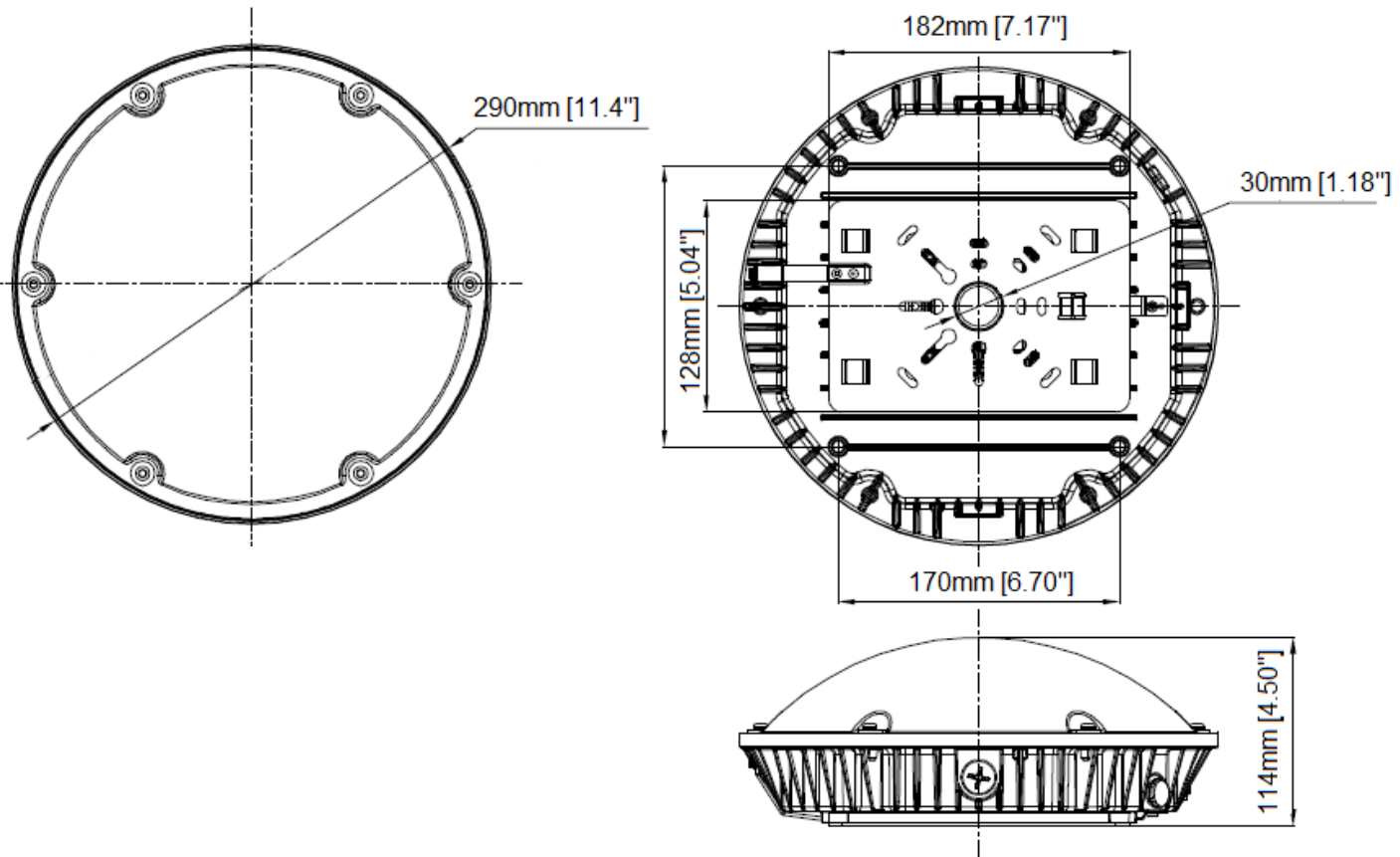
ACCESSORIES

Ordered separately

Part Number	Description	Picture
AE-OD-VT-RC100	IR remote controller for sensor	

PRODUCT DIMENSIONS

AE-OD-VT



LUMEN ESTIMATE

Lumen output varies based on CCT and CRI. An estimate of lumen output of the various CCT/CRI combinations, use correction factors as per table below:

Lumen estimate adjustment factors				
CCT	2700K	3000K	3500K	4000K
NORMAL (80CRI)	0.91	0.94	0.97	1

PHOTOMETRIC DATA

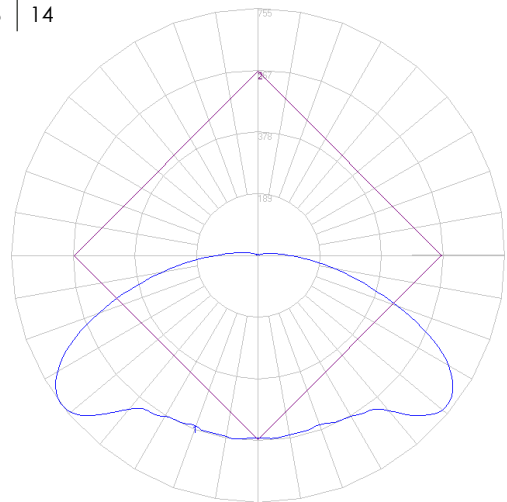
AE-OD-VT25W-40-050-0-10-S-N

Coefficients of utilization											
Ceiling	80%				70%		50%		30%		0%
Wall	70%	50%	30%	10%	50%	10%	50%	10%	50%	10%	0
RCR	Zonal Cavity Method – Effective floor reflectance = 20%										
	118	118	118	118	115	115	109	109	104	104	96
1	104	98	93	87	95	86	90	82	86	79	73
2	93	82	74	67	80	66	76	64	72	61	57
3	83	70	60	53	68	52	65	50	61	49	45
4	75	61	50	42	59	42	56	41	53	40	36
5	68	53	43	35	52	35	49	34	46	33	30
6	62	47	37	30	46	29	43	29	41	28	25
7	57	42	32	25	41	25	39	25	37	24	21
8	53	38	28	22	37	22	35	21	34	21	18
9	49	34	25	19	34	19	32	19	31	18	16
10	46	31	23	17	31	17	29	17	28	16	14

Luminance data			
Angle	0°	45°	90°
45°	18473	18352	18231
55°	23881	24078	24276
65°	25600	26566	27532
75°	24550	26482	28413
85°	33733	37709	41684

Zonal lumen

Zone	Lumens	Zone	Lumens
0-10	53.67	90-100	77.9
10-20	158.2	100-110	27.53
20-30	260.17	110-120	7.9
30-40	368.52	120-130	2.91
40-50	531.43	130-140	2.6
50-60	654.89	140-150	2.11
60-70	597.69	150-160	1.54
70-80	402.08	160-170	0.93
80-90	203.74	170-180	0.31





VERMONT

OUTDOOR PRODUCTS

Outdoor canopy light

OVERVIEW



MOUNTING

Mount using 3/4" NPT pole or fix flush by surface mounting to wall or ceiling of your project space.

BATWING DISTRIBUTION

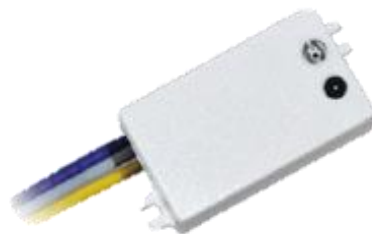
160-degree bat-wing beam angle provides a unique distribution while accenting your project space.

ACCESSORIES

Choose from a variety of accessories such as emergency battery back-up kits, or bi-level microwave sensors.



10W Emergency Kit



Bi-level Microwave Sensor

ERALUX Inc.
1-514-447-7598 | 1-332-282-3920
www.eralux.com

ERALUX Incorporation All Rights Reserved. Any information provided is subject to change without notice. All values are typical values when measured under normal laboratory conditions.

eralux