

Catalog

2024

LED
LUMINAIRE

erolux[®]

CEO'S NOTE

FOUNDER OF ERALUX

The idea of ERALUX was born in 2017 with a mission to continuously provide access to energy-saving solutions to our customers and partners. This company is built on four core values which are People, Integrity, Accountability and Fluidity. With these four core values, we have set ourselves apart from a wide range of manufacturers in the industry. Despite being a young company, we can proudly say that we have become the trusted advisor for many key projects and landmarks around North America.

Together at ERALUX, we believe in potential and limitless possibilities for our future. Applying our advanced LED technology, we strive for a cleaner light source while being practical in our luminaire products. Our unparalleled customer service level along with our solid say-do ratio for on-time deliveries makes us one of the best choices for the industry. Our unique portfolio also continues to expand as we tailor our specifications to new market demands and requirements. Our agile product development practices make us one of the fastest product development teams in the world.

ERALUX is a company further established by gratitude, reliability, and transparency where every order matters, and we value the freedom of design. We are a company that puts worth in the smallest of details and work to ensure that the customer experience with our products and services is unmatched. We are a different organization based on the principles of meritocracy and extreme candour. Our team pushes the limit of the definition of unyielding integrity while conducting business. Our partners find themselves working with a unique company.

As the ERALUX Team marks another year of completing several new product introduction programs, I am pleased to present you with the 2023-2024 ERALUX catalogue. I hope you can admire the growth that this company has gone through with me.

I sincerely hope you enjoy browsing through our selection of luminaires.

Best Regards,

A handwritten signature in black ink, appearing to read 'D Wan', with a long horizontal flourish extending to the right.

David Wan Fong
CEO & President of ERALUX

Our Mission

To continuously help our customers access better energy-saving solutions by leveraging progressive technologies.

Core Values



People

We have a talent-based culture passionate about energy footprints



Integrity

We do what is right



Accountability

We deliver on our promise



Fluidity

We are easy to do business with

Collection

HACHEHAUS

AGRICULTURE - p12



ALPS EVOLVE

ALPS HYDRO

MONT BLANC EVOLVE

COMMERCIAL OFFICE - p16



ATLANTIS

G5 T-GRID



SLIMA

VERSA

RING

DOWNLIGHT - p24



DOUBLE RING

ARTISTA 347 EVOLVE

INFINITA EVOLVE 4"



INFINITA EVOLVE 8"

KINETA

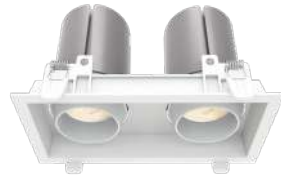
KINETA MINI



UNA



DUA



GIMBALS - p38

OLP00



OOP00



AJP00



GBP38



GFP30



GFP38



FCP20



FCP30



CLP30



**INDUSTRIAL FIXTURES
- p42**

LUMINA



SABER



SABER EVOLVE



TITAN ELITE



TRINITY



Collection

LINEAR PRODUCT - p48

JOBBER STRIP



MOONRAKER EVOLVE



ECO STRIP



VADOR EVOLVE



FALCON



G5



G5 WALL MOUNT



G5 PRIME



G5 PRIME SHADOW



SPT



G6



SPS



F2 Series



OUTDOOR - p64

ZORRO



GENESYS



LOKI



RIZZUTO



ASTELLANO
EVOLVE



ASPIRE



MASSINO



THALASSA ET6020



THALASSA ET6022



THALASSA ET6024



THALASSA ET6120



THALASSA ET6123



THALASSA ET6150



THALASSA ET6161



IDA SERIES



GRETA



VERMONT



ZEUS



SPLINTER



RAPHAEL



LEONARDO



Collection

MICHELANGELO



MFW1G3A1



MFWE7D1



MFW110D2



SAPPHIRE ET7016



SAPPHIRE ET7069



TRACK SYSTEMS



TRACKLIGHT - p94

PIVOT SERIES



KEPLER SERIES



ROSETTA



NUSTAR



MAVEN SERIES



CHANDRA SERIES



DREAM CHASER SERIES



ARTEMIS



EUCLID



IRIS



OSIRIS



TERRA SERIES



HUBBLE



ODYSSEY



APOLLO



ELEGANZA



ELEGANZA SLIM



BY-F2230CA



BY-F2231CA



B2408U



**SPECIALTY
EXITA SERIES - p122**

BY-F5024CA



BY-F5025CA



EXITA-Z1101U



EXITA-Z1102U



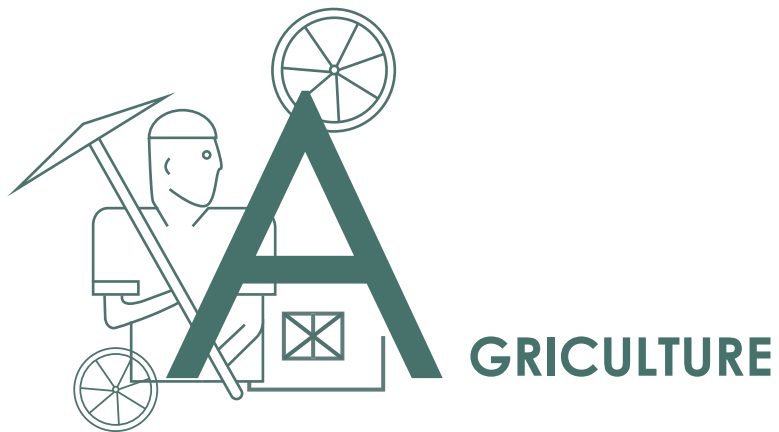
EXITA-Z1102U-N



THE FUTURE OF GROWTH

Optimize plant growth with incredible and reliable LED technologies.

With a full light spectrum recipe, dimming controls, and a variety of wattages provided, ERALUX tailors various conditions for any growth stage. Perfect for a variety of crops and greeneries such as food, decorative plants, and cannabis.





The Hachehaus is a bright and flexible grow light solution that maximizes the grow space for higher crop yield and superior quality. With a compact form factor and multiple wattage options, it offers growers an all-year-round solution for crop production. The Hachehaus is ideal for growing cannabis, food or ornamental plants. And it is ideal for commercial growers, vertical farming, novice and hobbyist growers.

OPERATIONS & ELECTRICAL

Power : 150 W, 300 W, 450 W, 600 W

PPFD: 150 W: 405 $\mu\text{mol}/\text{S}$ - 300 W: 810 $\mu\text{mol}/\text{S}$

450 W: 1215 $\mu\text{mol}/\text{S}$ - 600 W: 1620 $\mu\text{mol}/\text{S}$

PPF efficacy: 2.7 $\mu\text{mol}/\text{J}$

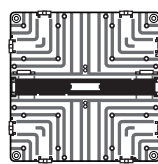
ORDERING GUIDE

Ordering code example: AE-LS-GLO150W-UVSP-D

FIXTURE FAMILY	WATTAGE	VOLTAGE	LIGHT RECIPES (nm)	CONTROLS
AE-LS-GLO ERALUX Hachehaus LED plant grow light	150W- 150 Watts	UV 120-277V	SP Full Spectrum	Dimming 10-100%
	300W- 300 Watts			
	450W- 450 Watts			
	600W- 600 Watts			

HACHEHAUS

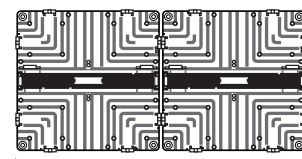
DIMENSIONS



315.6 mm
[12.4"]
150 W

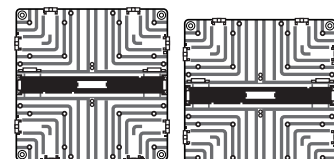


55 mm
[2.2"]



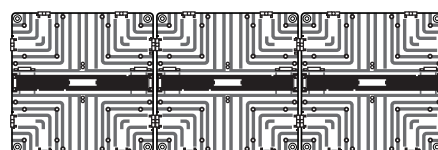
631.2 mm [24.8"]
300 W

315.6 mm
[12.4"]



631.2 mm [24.8"]
600 W

631.2 mm
[24.8"]



946.8 mm [37.2"]
450 W

BRINGING LIGHT INTO WORKSPACES

Commercial setting heightened to elegant levels

Lights areas for employees to create an environment that is ideal for productivity and increased focus, and mood. With these durable and energy-efficient LED fixtures, ERALUX offers commercial office lights that are available in a range of power and CCT that will provide the ideal brightness and light colour for increased productivity and comfort for workers and clients.





The ALPS series is a backlit panel product designed with optimum LED placement to ensure a uniformly lit diffuser. It features a switchable CCT, and power package enable an endless flexibility at the install site. The average 130 LPW performance also makes the ALPs an ideal replacement for any existing recessed commercial ceiling products.

OPERATIONS & ELECTRICAL

Input Voltage : 120-347 Vac

Dimming : 0-10 V external dimming down to 10%

Lumens per Watt : 125 LPW at 80 CRI

Distribution : Lambertian

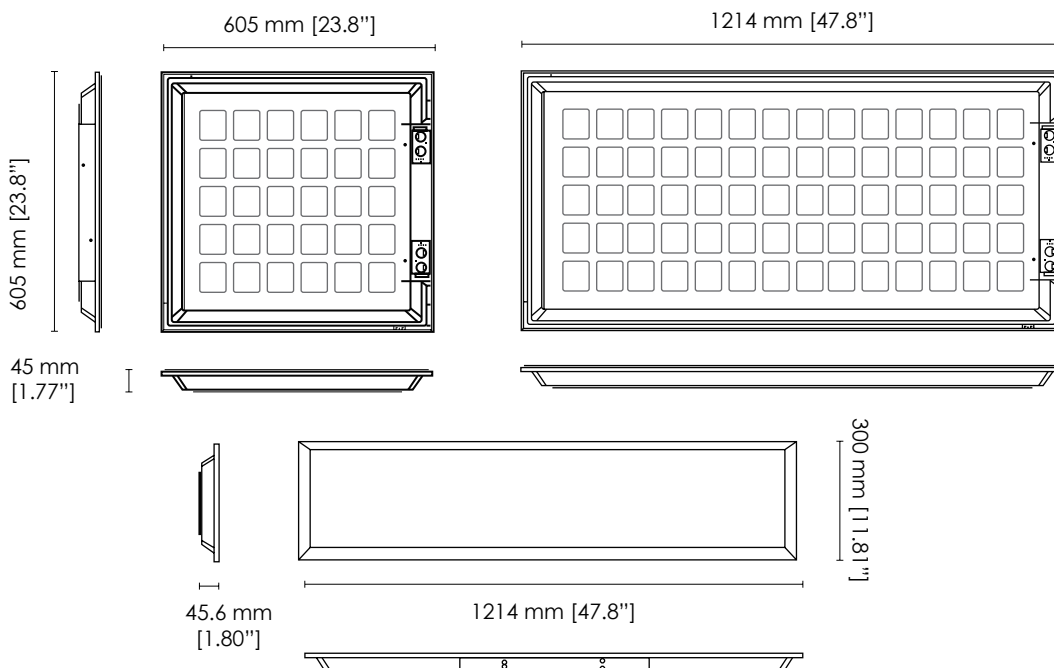
ORDERING GUIDE

Ordering code example: AE-RC-APB-XXW24-28CDMH-01

FIXTURE FAMILY	POWER	SIZE	CONTROLS	INPUT VOLTAGE
AE-RC-APB ALPS Evolve series commercial office backlit panel	-XXW 2x4: 30-40-50W 2x2: 25-30-35W 1x4: 25-30-35W CCT Selectable 3500/4000/5000K	22: 2'x2' housing 3,125-3,750-4,375 lumens	-28CDM 0-10V external dimming down to 10%	H-02 120-347V
		24: 2'x4' housing 4,375-5,000-5,625-6,250 lumens	-28CSM Microwave Motion Sensor (*ONLY for 120-277V*)	
		14: 1'x4' housing 3,125-3,750-4,375 lumens		

ALPS EVOLVE

DIMENSIONS





The ALPS HYDRO series is a backlit panel product designed to be wet-rated IP65 from below the ceiling line.

OPERATIONS & ELECTRICAL

Input Voltage : 120-347 Vac

Dimming : 0-10 V external dimming down to 10%

Lumens per Watt : 125 LPW at 80 CRI

Distribution : Lambertian

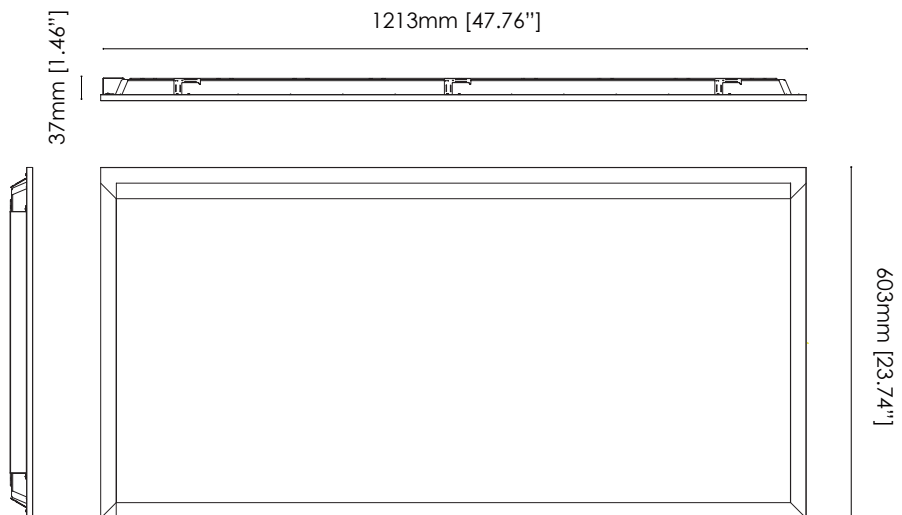
ORDERING GUIDE

Ordering code example: PL1X4-40W-A3C3-M-P

FIXTURE FAMILY	SIZE	POWER	CCT	INPUT VOLTAGE	CONTROLS
PL ALPS Hydro series commercial office backlit panel	22 2'x2' housing	-40W 25/30/40W: Up to 5,000 lumens	-A3C3 CCT selectable: 3500K/4000K/5000K	-M 120-347 V	-P 0-10V Dimming
	24 2'x4' housing				
	14 1'x4' housing	-50W 30/40/50W: Up to 6,250 lumens			

ALPS HYDRO

DIMENSIONS





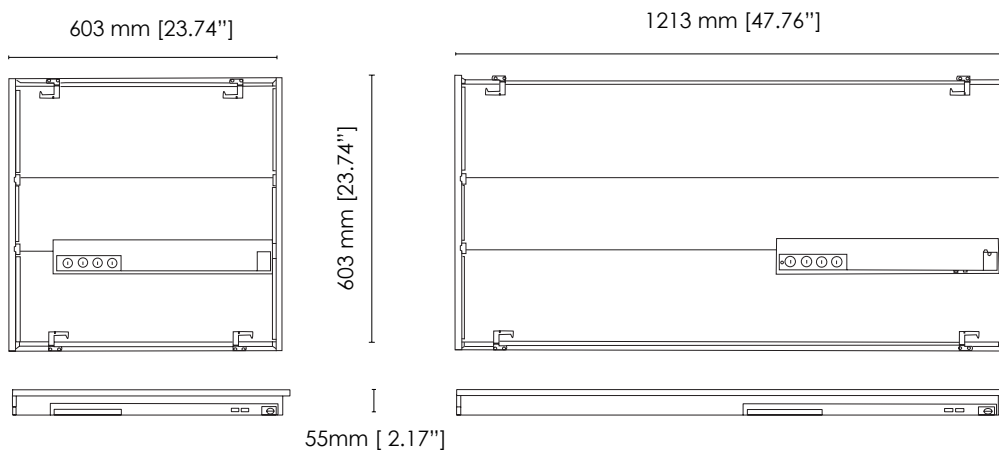
The Mont Blanc series is an ideal solution for anyone looking to minimize waste, reduce install time and revitalized the ceiling. This product differentiates itself through its ease of installation and access to maintenance. The Mont Blanc Evolve features a switchable CCT (3500K, 4000K, OR 5000K) and switchable power levels (3 power levels for both 2x2 and 2x4) for the fixture. This enables customization on-site during final installation and provides an unparalleled level of flexibility.

OPERATIONS & ELECTRICAL

Input Voltage : 120-347 Vac
 Dimming : 0-10 V dimming
 Lumens per Watt : 130 LPW at 80 CRI
 Distribution : Lambertian

DIMENSIONS

MONT BLANC EVOLVE



ORDERING GUIDE

Ordering code example: AE-RC-MBCA22LBN35/40/50010WH

FIXTURE FAMILY	VOLTAGE	SIZE & POWER	DISTRIBUTION	CRI	CCT Selectable	CONTROL	FINISH
AE-RC-MB ERALUX Mont Blanc EVOLVE recessed commercial office volumetric troffe	CA 120-347V	22 2 x 2 feet 24/30/36 Watts selectable: 3120/3900/4680 lumens selectable	LB 120° Lambertian	N Normal 80 CRI	30/35/40 3000/3500/4000K	010 0-10V external dimming down to 10%	WH White
		24 2 x 4 feet 24/36/45 Watts selectable: 3120/4680/5850 lumens selectable			35/40/50 3500/4000/5000K	MS1 Motion Sensor	WH-AR White with Air Return slots



The G5 T-Grid series provides unsurpassed flexibility for commercial offices. With a simple switch, the fixture can switch CCT and lumens. Long seamless rows are possible using custom lengths for the starter, middle and ender. It is perfect for new buildings, upgrades and retrofit projects. This series has been redesigned to be easily mounted on most of T grid's ceilings.

G5 Recessed T-GRID

OPERATIONS & ELECTRICAL

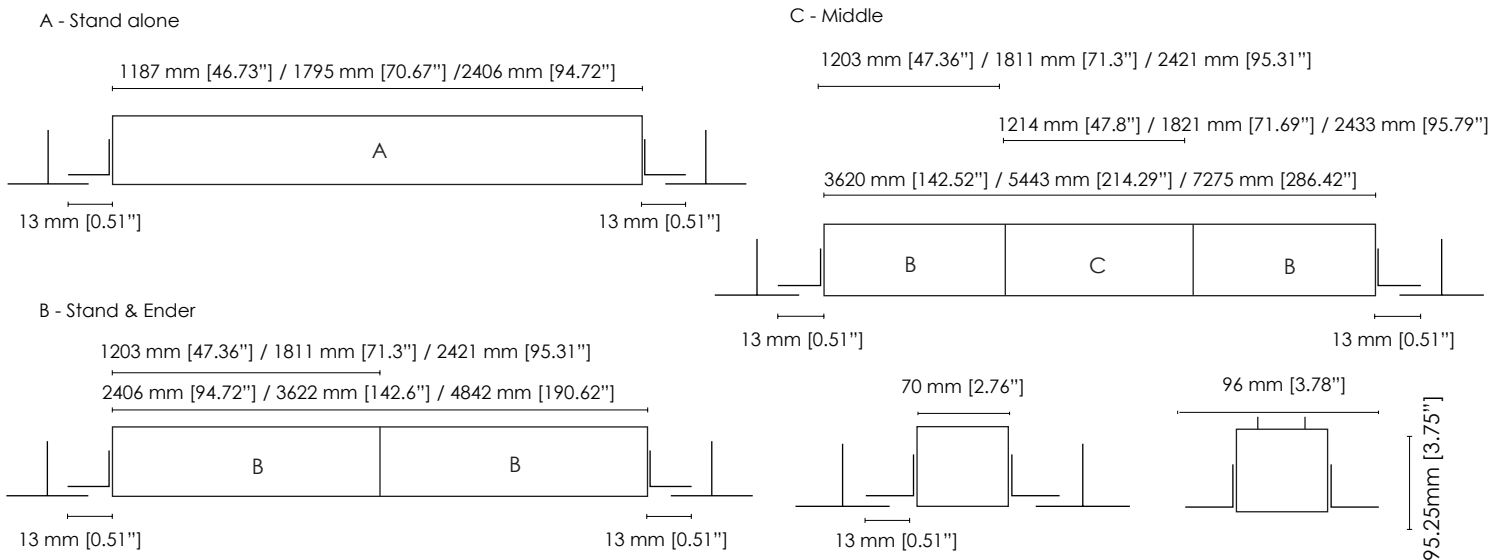
Input Voltage : 120-347 Vac

Dimming : 0-10V external dimming down to 10%

Lumens per Watt : 105 LPW at 80 CRI

Distribution : Lambertian

DIMENSIONS



ORDERING GUIDE

Ordering code example: AE-SF-G5CA44030/35/40010WH-R-A

FIXTURE FAMILY	VOLTAGE	LENGTH	POWER	CCT	CONTROLS	FINISH	MOUNTING	TYPE
AE-SF-G5 ERALUX G5 linear architectural fixture	CA 120-347V	2	20 watts: 2100 lumens	30/35/40 3000/3500 4000K	010 0-10V external dimming down to 10%	WH-GB ERALUX Nebula White	-R- Recessed mounting on T-grids	A Stand alone
		4	40 watts: 4200 lumens	selectable CCT				B Starter & Ender
		5	50 watts: 5250 lumens	30/40/50 3000/4000/ 5000K				C Middle
		6	70 watts: 8400 lumens	selectable CCT				
		8						BK-GB ERALUX Atomic Black Finish



The Atlantis Series is a recessed linear that provides an elegant appearance in any indoor commercial office. The exposed driver and the removable lens makes the installation simple and intuitive. This series has been designed to be mounted into gypsum ceilings or walls.

OPERATIONS & ELECTRICAL

Input Voltage : 120-277 Vac
 Dimming : 0-10 V external dimming down to 10%
 Lumens per Watt : 85-89 LPW at 80 CRI
 Distribution : Lambertian

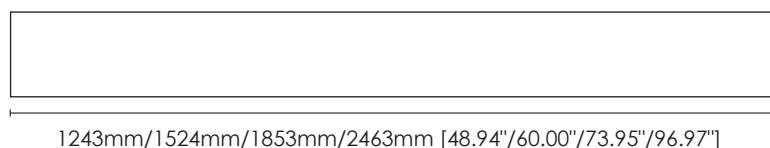
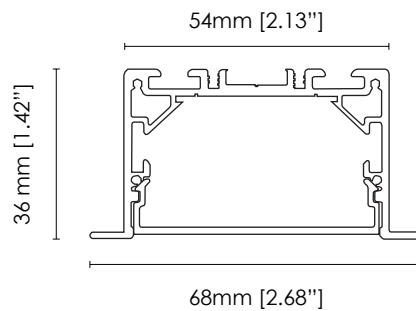
ORDERING GUIDE

Ordering code example: AE-SF-ATL35432WH

FIXTURE FAMILY	CCT	LENGTH	POWER	FINISH	
AE-SF-ATL ERALUX Atlantis linear architectural fixture – 120-277 V	35 3500K	4 4 feet length	32 32 watts: 2720 lumens	WH White Finish	
		5 5 feet length	40 40 watts: 3400lumens		
	40 4000K	6 6 feet length	46 46 watts: 4080 lumens	BK Black Finish	
		8 8 feet length	62 62 watts: 5440 lumens		
					SV Silver Finish

ATLANTIS

DIMENSIONS



A SIMPLE YET EFFECTIVE CHOICE

Seamless, and graceful, downlights are made to enhance intricacy, or complement simplicity.

Available at ERALUX in a variety of lumens, Colour Rendering Index (CRI), CCTs, distribution, adapters, and colour finishes. Adding style and sophistication to any area indoors or outdoors, downlights are great in-ceiling fixtures which allow light to shine down to the desired space. Mainly used for general lighting for an overall space when using a higher beam angle, ERALUX's range of downlights are customizable which allows you to be creative and match with the right ambiance and style as your space. Downlights with a smaller beam angle will create more focused lighting to accentuate specific artworks or architectural designs. With these LED downlights, ERALUX offers products that maximize the light output for less energy.





The SLIMA Series LED downlight is the ideal recessed downlight for any retrofit or new construction project. The spring-action housing clips facilitate the installation process for any power option. The SLIMA downlights have a selectable CCT switch enabling to change the of color projection from 2700K to 5000K, offering an unparalleled level of flexibility. Now available in black and white finish.

OPERATIONS & ELECTRICAL

Input Voltage : 120-277 Vac

Dimming : 0-10V external dimming down to 10%

Lumens per Watt : 75 LPW

Distribution : Lambertain

ORDERING GUIDE

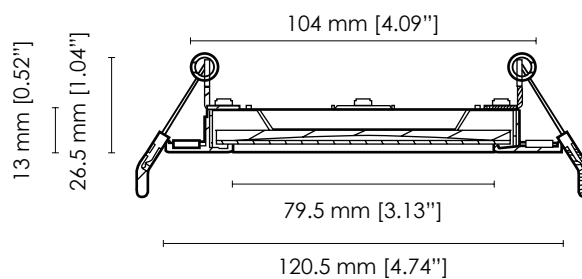
White Finish

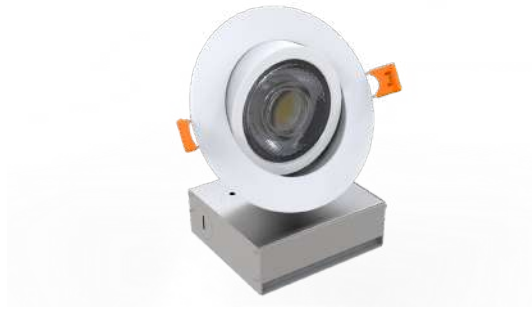
FIXTURE FAMILY	SHAPE & SIZE	POWER	CONTROLS	CCT
AE-DL-SL-ERALUX SLIMA Series recessed downlight	04- 4" Round housing	09W- 9W: 700 lumens	TRIAC- Triac dimming	P2750 CCT selectable

Black Finish

FIXTURE FAMILY	SHAPE & SIZE	FINISH
AE-DL-SL-ERALUX SLIMA Series recessed downlight 9W: 700 lumens Triac dimming 2700K/3000K/3500K/4000K /5000K CCT switchable	04- 4" Round housing	BK Black Finish

DIMENSIONS





Introducing the new VERSA EVOLVE series, with its ability to direct light to the right place every time. Its adjustable beam tilts to 25° and the 40° beam angle will light up your spaces with an even higher lumen output. With its five CCT selectable option, the VERSA EVOLVE's versatility will be the perfect downlight for indoors.

OPERATIONS & ELECTRICAL

Input Voltage : 120 Vac
 Dimming : Triac dimming 10%-100%
 Lumens per Watt : Up to 85 LPW
 Beam angle: ~40° Beam Angle & ~25° Tilt Angle

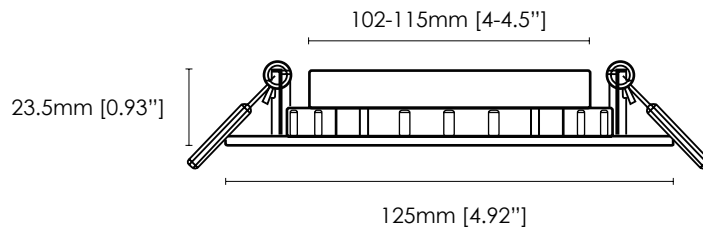
ORDERING GUIDE

Ordering code example: AE-DL-VS-4-09W-TRIAC-P27/30/35/40/50

FIXTURE FAMILY	SHAPE & SIZE	POWER	CONTROLS	CCT
AE-DL-VS- ERALUX VERSA Series recessed downlight	4- 4" Round housing	09W- 9.5W: 700 lumens	TRIAC- Triac dimming	P27/30/35/40/50
		12W- 12W: 1,000 lumens		

VERSA EVOLVE

DIMENSIONS





The RING Series is the preferred solution for residences with a light source that provides a seamless transition to various spaces. It comes in several wattage options as the 16W, 20W and 25W and various CCT options of 3000K, 4000K and 5000K CCT. It also enables a rapid transition from incumbent technologies with its triac-dimming capabilities.

OPERATIONS & ELECTRICAL

Input Voltage : 120 Vac
 Dimming : Triac dimming
 Lumens per Watt : 75 LPW at 80 CRI
 Beam angle: 110°

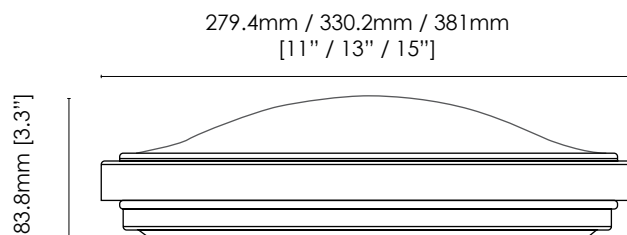
ORDERING GUIDE

Ordering code example: AE-DL-RG-A11-16-830-01-A1D

RING

FIXTURE FAMILY	SHAPE & SIZE	POWER	CRI & CCT	GENERATION	CONTROLS
AE-DL-RG ERALUX Ring Series surface mounted downlight	-A11 11" round & 3.3" in height	-16 16 watts: 1200 lumens	-830 80 CRI 3000K CCT	-01 1st generation surface mounted Ring commercial downlight Energy Star certified for superior efficacy standards	-A1D Triac Dimming
	-A13 13" round & 3.3" in height	-20 20 watts: 1500 lumens	-835 80 CRI 3500K CCT		
	-A15 15" round & 3.3" in height	-25 25 watts: 1875 lumens	-840 80 CRI 4000K CCT		

DIMENSIONS





The Double RING Series is the preferred solution for residences with a light source that provides a seamless transitions to various spaces. It comes in several wattage options as in the 12,16, 20 and 25W and various CCT options of 3000, 4000 and 5000K CCT. It also enables a rapid transition from incumbent technologies with its triac dimming capabilities.

OPERATIONS & ELECTRICAL

Input Voltage : 120 Vac
 Dimming : Triac dimming
 Lumens per Watt : 75 LPW at 80 CRI
 Beam angle : 110°

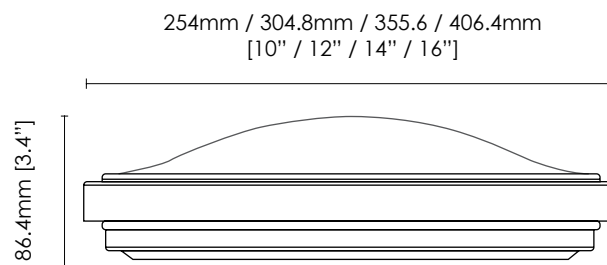
ORDERING GUIDE

Ordering code example: AE-DL-DR-A10-12-830-01-A1D

FIXTURE FAMILY	SHAPE & SIZE	POWER	CRI & CCT	GENERATION	CONTROLS
AE-DL-DR ERALUX Double Ring Series surface mounted downlight	-A10 10" round & 3.4" in height	-12 12 watts: 900 lumens	-830 80 CRI 3000K CCT	-01 1st generation surface mounted Double Ring commercial downlight Energy Star certified for superior efficacy standards	-A1D Triac Dimming
	-A12 12" round & 3.4" in height	-16 16 watts: 1200 lumens	-835 80 CRI 3500K CCT		
	-A14 14" round & 3.4" in height	-20 20 watts: 1500 lumens	-840 80 CRI 4000K CCT		
	-A16 16" round & 3.4" in height	-25 25 watts: 1875 lumens			

DOUBLE RING

DIMENSIONS





The Artista 347 EVOLVE Series LED downlight is the ideal recessed downlight for any retrofit or new construction project. Its voltage rating of 120-347V makes it highly suitable for Canadian and American markets. The spring-action housing clips simplify the installation process for six- and eight-inch sizes. The Artista 347 EVOLVE separates itself from competitor downlights by having selectable lumens, and CCT switches, enabling high flexibility at the project location.

OPERATIONS & ELECTRICAL

Input Voltage : 120-347 Vac

Dimming : 0-10V external dimming down to 10%

Lumens per Watt : 83 LPW at 90 CRI

Distribution : Beam Angle 90°

ORDERING GUIDE

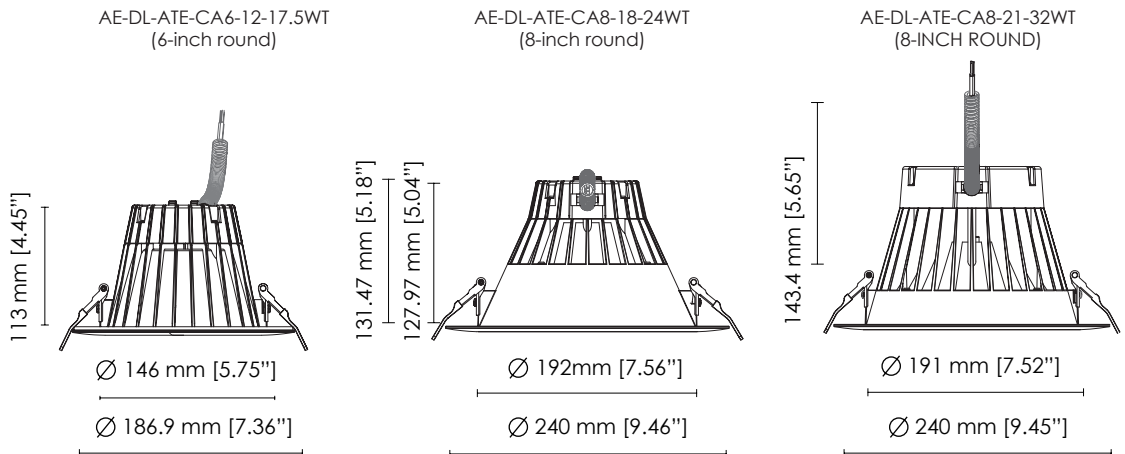
Ordering code example: AE-DL-ATE-CA6-12-17.5WT-010-P30/35/40/50

FIXTURE FAMILY	VOLTAGE	SHAPE & SIZE	POWER	CONTROL	CCT
----------------	---------	--------------	-------	---------	-----

ARTISTA 347 EVOLVE

AE-DL-ATE-ERALUX Artista 347 EVOLVE recessed downlight	CA- 120-347V 50/60Hz	6- 6" Round housing	12-17.5WT- 12/17.5W: 1,000/1,500lm Selectable	010- 0-10V External dimming down to 10%	P30/35/40/50 3000K/3500K/4000K/5000K Selectable CCT
		8- 8" Round housing	18-24WT- 18/24W: 1,500/2,000lm Selectable		
		21-32WT- 21/32W: 2,000/3,000lm Selectable			

DIMENSIONS





The Infinita EVOLVE Series LED downlight is the ideal solution for a high-end finish to the ceiling space. Driven to provide ultimate customization on-site, the Infinita offers possibilities beyond the normal downlight in terms of flexible lumens output and flexible CCT adjustments. The Infinita comes with two possible reflector finishes to enable further customizations.

OPERATIONS & ELECTRICAL

Input Voltage : 120-277 Vac

Dimming : 0-10V external dimming down to 10%

Lumens per Watt : ~63-88 LPW at 90 CRI

Beam angle: 90°

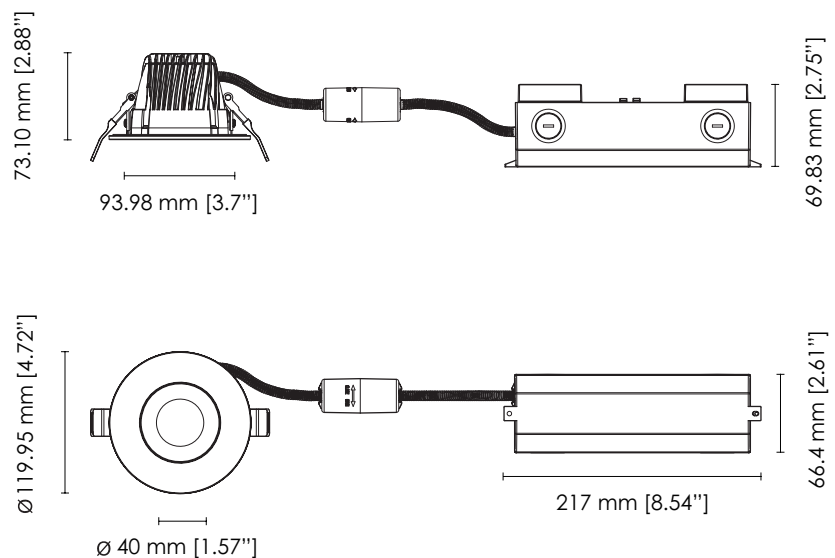
ORDERING GUIDE

Ordering code example: AE-DL-IF-04-11W-010-P3050-WH

FIXTURE FAMILY	SHAPE & SIZE	POWER	CONTROLS	CRI & CCT	REFLECTOR FINISH
AE-DL-IF- ERALUX Infinita EVOLVE recessed downlight	04- 4" Round housing	11W- 8/10/11 watt: 650/750/850 lumen – White reflector 500/600/700 lumen – Matt reflector	010- 0-10V external dimming down to 10%	P3050 90 CRI 3000K, 3500K, 4000K, 5000K	-WH White smooth cone reflector with white flange -SD Semi Diffused smooth cone reflector with white flange

INFINITA EVOLVE 4"

DIMENSIONS





The Infinita EVOLVE Series LED downlight is the ideal solution for high end finish to the ceiling space. Driven to provide customization on site, the Infinita offers possibilities beyond the normal downlight in terms of flexible lumens output and flexible CCT adjustments. With a 5000 lumens output at 90 CRI, the Infinita presents itself as an opportunity to redefine high ceilings across the commercial spaces.

OPERATIONS & ELECTRICAL

Input Voltage : 120-277 Vac
 Dimming : 0-10V external dimming down to 10%
 Lumens per Watt : 84 LPW at 90CRI
 Beam angle: 90°

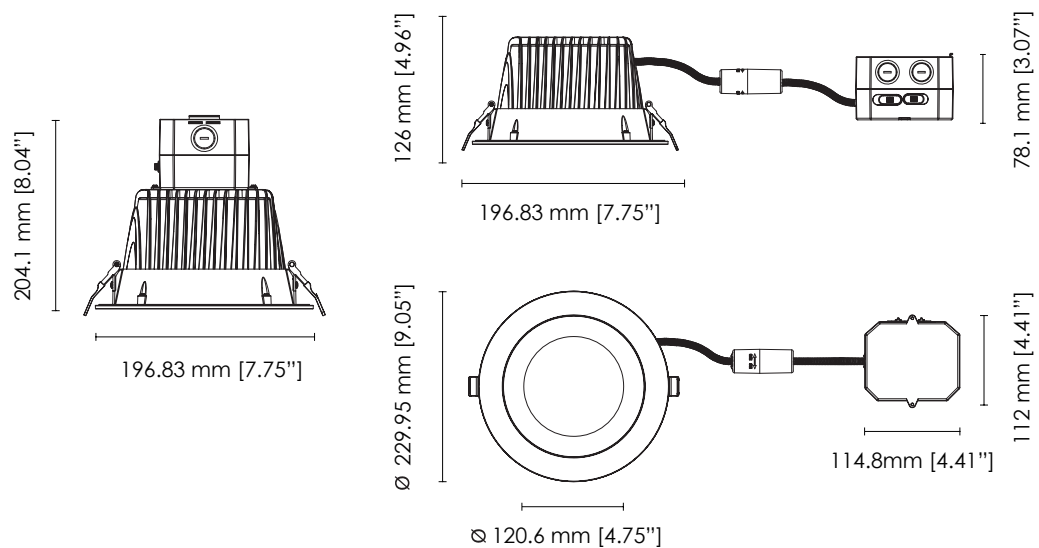
ORDERING GUIDE

Ordering code example: AE-DL-IF-08-59W-010-P3050-WH

FIXTURE FAMILY	SHAPE & SIZE	POWER	CONTROLS	CRI & CCT	REFLECTOR FINISH
AE-DL-IF-ERALUX Infinita EVOLVE recessed downlight	08- 8" Round housing	59W- 34/46/59 watt: 3000/4000/5000 lumen White reflector	010- 0-10V external dimming down to 10%	P3050 90 CRI 3000K, 3500K, 4000K, 5000K	-WH White smooth cone reflector with white flange

INFINITA EVOLVE 8"

DIMENSIONS





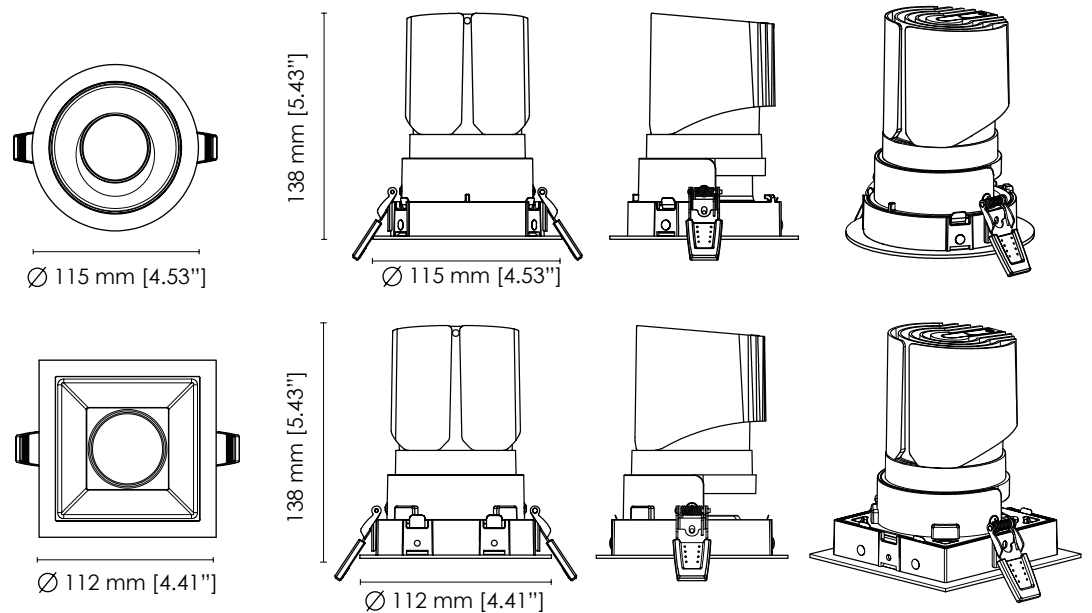
The KINETA Series LED downlight are the ideal recessed downlight for any retrofit or new construction project. The spring-action housing clips facilitates the installation processes. The KINETA separates itself from competitor downlights by having super modular design with round and square, adjustable and fixed options. Replacing LED module, mounting ring, beam lens and reflectors with no need of tools.

OPERATIONS & ELECTRICAL

Input Voltage : 120-277 Vac
 Dimming : 0-10V external dimming & Triac Dual dimming
 Lumens per Watt : 80 LPW at 90 CRI
 Beam angle: 15°, 24°, 38°, 55°

DIMENSIONS

KINETA



ORDERING GUIDE

Ordering code example: AE-DL-KN-4-RA1BK-UV-25W-X-30-15

FIXTURE FAMILY	DIMENSION	SHAPE & SIZE	REFLECTORS	INPUT VOLTAGE	POWER	CONTROLS	CCT	BEAM ANGLE	TRIM
AE-DL-KN ERALUX KINETA -4 Series recessed 4 inches downlight	-RA1 Round Adjustable	BK Black	WH White	-UV 120-277 V	-20W 20 watts; 1600 lumens	-X 0-10V external dimming & Triac Dual dimming	-27 2700K CCT	-15 15° Beam angle	-(LEAVE BLANK) -White Trim
					-25W 25 watts; 2450 lumens		-30 3000K CCT	-24 24° Beam angle	
	-SA1 Square Adjustable	SP Specular bright silver	-35 3500K CCT		-38 38° Beam angle	-BKT Black Trim			
			-40 4000K CCT		-55 55° Beam angle				
	-RF1 Round Fixed	DF Diffused matt silver							



OPERATIONS & ELECTRICAL

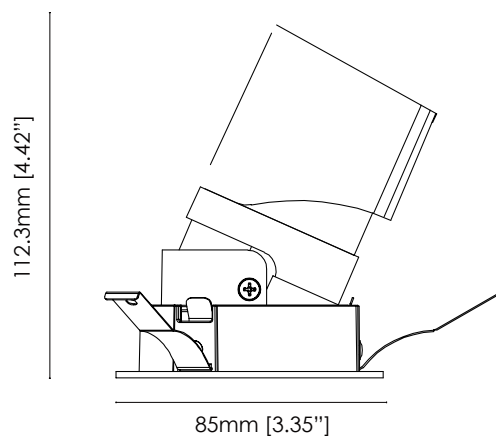
Input Voltage : 120-277 Vac

Dimming : 0-10V external dimming & Triac & Dual dimming

Lumens per Watt : 80 LPW at 90 CRI

Beam angle: 15, 24, 38, 55°

DIMENSIONS



KINETA MINI

ORDERING GUIDE

Ordering code example: AE-DL-KNM-3-RA1BK-UV-10W-X-27-15

FIXTURE FAMILY	DIMENSION	SHAPE & SIZE	REFLECTORS	INPUT VOLTAGE	POWER	CONTROLS	CCT	BEAM ANGLE	REFLECTOR FINISH	
AE-DL-KNM ERALUX KINETA Mini Series recessed downlight	-3 3 inches	-RA1 Round Adjustable	-WH White	-UV 120-277V	-10W 10 watts; ~800 lms at 3000K and 38° beam angle for round adjustable reflector	-X 0-10V external dimming & Triac Dual dimming	-27 2700K	-15 15° Beam angle	-[LEAVE BLANK] White Trim	
	-2* 2 inches	-SA1 Square Adjustable	-BK Black		-15W 15 watts; ~1,100 lms at 3000K and 38° beam angle for round adjustable reflector		-30 3000K	-24 24° Beam angle		
		-RF1 Round Fixed	-SP Specular bright silver				-35 3500K	-38 38° Beam angle		-BKT Black Trim
			-DF Diffused matt silver				-40 4000K	-55 55° Beam angle		

*Lumens for the 2-inch KINETA are 3 % less compared to the 3-inch.



The UNA single-head provides an elegance and flexibility that is set to provide the ultimate lighting environments. The UNA series features a light engines ranging from 10W to 25W. This fixture also comes standard with 0-10V as well as phase dimming enabling the electrician freedom of choice for controls. Further, the spring mechanisms enables a fast installation.

OPERATIONS & ELECTRICAL

Input Voltage : 120-277 Vac

Dimming : 0-10V external dimming & Triac Dual dimming

Lumens per Watt : 80 LPW at 90 CRI @ 3000K

Beam angle: 15°, 24°, 38°, 55°

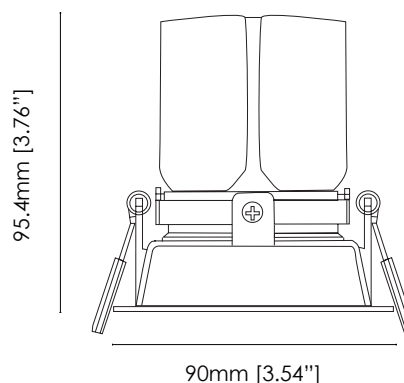
ORDERING GUIDE

Ordering code example: AE-DL-UNA-4-35-24-UV-20W-X

FIXTURE FAMILY	SHAPE & SIZE	CCT	BEAM ANGLE	INPUT VOLTAGE	POWER	CONTROL	FINISH
AE-DL-UNA UNA Series	-3 3 inches Comes with AE-DL-KN-3-SA5	-30 3000K	-15 15° Beam angle	-UV 120-277V	-10W 10 watts 800 lumens	-X Dual dimming	-[LEAVE BLANK] White Trim -BKT Black Trim
		-35 3500K	-24 24° Beam angle		-15W 15 watts 1,200 lumens		
	-4 4 inches Comes with AE-DL-KN-4-SA3	-40 4000K	-38 38° Beam angle		-20W 20 watts 1,800 lumens		
		-50 5000K	-55 55° Beam angle		-25W 25 watts 2,200 lumens		

UNA

DIMENSIONS





The DUA Multi-head provides the elegance and flexibility of multi-heads that set provides the ultimate lighting environments. The DUA series features two possible pairs of light engines ranging from 20W to 50W for the two heads. Each head is powered independently providing a second failure mode. This fixture also comes standard with 0-10V as well as phase dimming enabling the electrician freedom of choice for controls. Further, the spring mechanisms enables a fast installation.

OPERATIONS & ELECTRICAL

Input Voltage : 120-277 Vac

Dimming : 0-10V external dimming & Triac Dual dimming

Lumens per Watt : 80 LPW at 90CRI @ 3000K

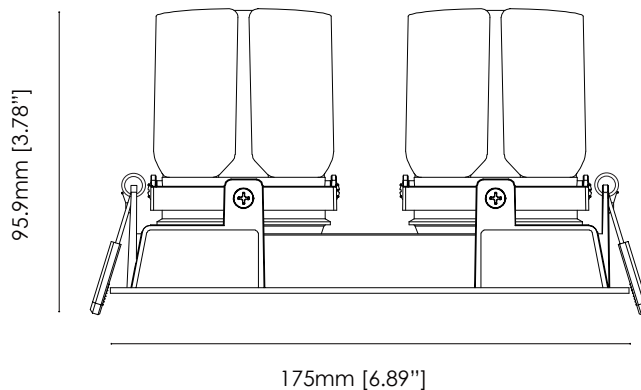
Beam angle: 15°, 24°, 38°, 55°

ORDERING GUIDE

Ordering code example: AE-DL-DUA-4-35-24-UV-50W-X

FIXTURE FAMILY	SHAPE & SIZE	CCT	BEAM ANGLE	INPUT VOLTAGE	POWER	CONTROLS	FINISH
AE-DL-DUA DUA Series Multi-heads	-3 3 inches (2x10W) (2x15W) Comes with AE-DL-KN-3- SA5	-30 3000K	-15 15° Beam angle	-UV 120-277V	-20W 20 watts (2X10W) 1,600 lumens	-X 0-10V external dimming & Triac Dual dimming	-[LEAVE BLANK] White Trim -BKT Black Trim
	-4 4 inches (2x20W) (2x25W) Comes with AE-DL-KN-4- SA3		-24 24° Beam angle		-30W 30 watts (2X15W) 2,400 lumens		
	-35 3500K	-38 38° Beam angle	-40W 40 watts (2X20W) 3,600 lumens				
	-40 4000K	-55 55° Beam angle	-50W 50 watts (2X25W) 4,400 lumens				

DIMENSIONS



GIMBALS THAT FIT EVERY SETTING

The classic essential that perfectly fits into every budget point.

Ideal for indoor settings, such as in retail stores, office areas, receptions, corridors, and residential spaces such as kitchen and dining rooms and living spaces. ERALUX's gimbals are available with a range of mounting types, adapters, and finishes. This selection makes sure that ERALUX provides the perfect gimbal for every setting no matter the requirements. Furthermore, the use of these modern LED lights contributes to a cleaner environment with higher energy savings.



OLP00



FIXTURE FAMILY	Mounting type	ADAPTER	FINISH	DIMENSION
AEH- ERALUX Line voltage track light	OLP00 Lexan lamp holder	J1	BK WH SV	
		H1		
		GI		
		L1		

OOP00



FIXTURE FAMILY	Mounting type	ADAPTER	FINISH	DIMENSION
AEH- ERALUX Line voltage track light	OOP00 Universal Lamp holder	J1	BK WH SV	
		H1		
		GI		
		L1		

AJP00



FIXTURE FAMILY	Mounting type	ADAPTER	FINISH	DIMENSION
AEH- ERALUX Line voltage track light	AJP00 Universal lamp holder	J1	BK	
			WH	

GBP38



FIXTURE FAMILY	Mounting type	Lamp type	ADAPTER	FINISH	DIMENSION
AEH- ERALUX Line voltage track light	GBP	38 PAR38	J1	BK WH SV	
			H1		
			GI		
			L1		

GFP30



FIXTURE FAMILY	Mounting type	Lamp type	ADAPTER	FINISH	DIMENSION
AEH- ERALUX Line voltage track light	GFP	30 PAR30	J1	BK WH SV	
			H1		
			GI		
			L1		

GFP38



FIXTURE FAMILY	Mounting type	Lamp type	ADAPTER	FINISH	DIMENSION
AEH- ERALUX Line voltage track light	GFP38	38 PAR38	J1 H1 G1 L1	BK WH SV	

FCP20



FIXTURE FAMILY	Mounting type	ADAPTER	FINISH	DIMENSION
AEH- ERALUX Line voltage track light	FCP20 Flat cylinder	J1 H1 G1 L1	BK WH	

FCP30



FIXTURE FAMILY	Mounting type	ADAPTER	FINISH	DIMENSION
AEH- ERALUX Line voltage track light	FCP30 Flat cylinder	J1 H1 G1 L1	BK WH	

CLP30



FIXTURE FAMILY	Mounting type	ADAPTER	FINISH	DIMENSION
AEH- ERALUX Line voltage track light	CLP30 Par30 lamp holder	J1 H1 G1 L1	BK WH	

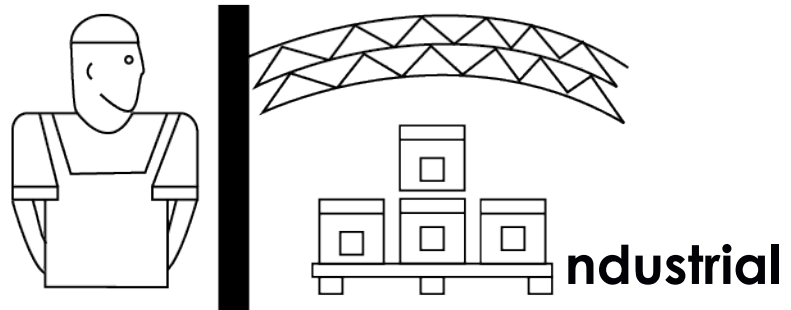
Remark

1. 120 Vac only
2. G1: Global mounting system
3. H1: Halo mounting system
4. J1: Juno mounting system
5. L1: Lightlier mounting system
6. BK: Black paint finish
7. WH: White paint finish
8. SV: Silver paint finish

BRIGHT OPTIONS TO LIGHTEN EVERY INDUSTRIAL SETTING

Durable lighting that offers a variety of brightness and mounting options in the industrial setting.

Bright, clear, and comforting luminous LED light fixtures are designed for industrial settings with high ceilings. ERALUX's industrial category offers a wide range of fixtures made for tough conditions such as factories, warehouses, and commercial garages. Providing a complete selection of power, sizes, CCT and controls, ERALUX's industrial LED lights are sure to enhance your space. The leading LED technologies minimize long-term energy costs.





The SABER Evolve series is the latest addition by ERALUX to its strong portfolio of high-bay fixtures. This series features a 135 LPW performance made possible with the die-cast aluminum design. It comes standard with the ability to upgrade to integrate motion sensors in the field. The SABER Evolve series comes standard with CCT and Lumens Switchable capability; an ideal solution for warehouses, and retail stores.

OPERATIONS & ELECTRICAL

Input Voltage : 120-347 Vac
 Dimming : 0-10V external dimming down to 10%
 Lumens per Watt : 150 LPW at 80 CRI
 Beam angle: 110°

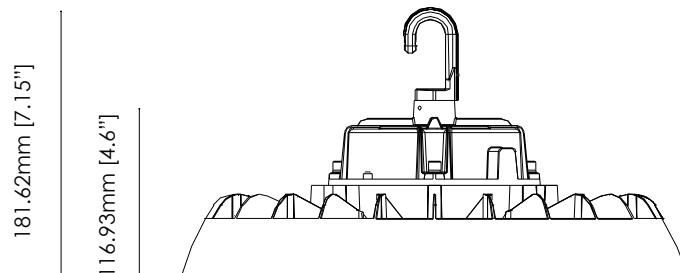
ORDERING GUIDE

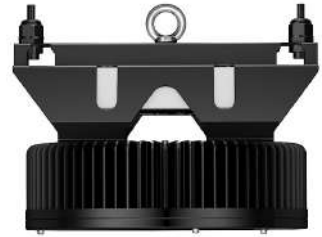
Ordering code example: AE-TL-SB2-CA-150W-110-H

FIXTURE FAMILY	POWER	LIGHT EMITTING ANGLE	MOUNTING	CONTROLS
AE-IL-SB2-CA ERALUX Saber Evolve Series industrial fixtures round high bay	-150W 150/125/100 Watts; Up to 22,500 lumens	-110 110-degree light emitting angle	-[LEAVE BLANK] Hook mount	-[LEAVE BLANK] 0-10V dimming
	-240W 240/200/150 Watts; Up to 36,000 lumens		-PM Pole mount	-(MS) Motion Sensor

SABER EVOLVE

DIMENSIONS





The Lumina Series industrial luminaire is made of robust materials that can withstand tough environments. Its high lumen efficacy and various power and CCT variations allow it to stand out. The Lumina series comes standard with IP65, IK08 and NSF ratings making it the prime solution for harsh conditions environment.

OPERATIONS & ELECTRICAL

Input Voltage : 100-277 Vac, 277-480 Vac
 Dimming : 0 -10V external dimming down to 10%
 Lumens per Watt : ~150 LPW at 80 CRI
 Beam angle: 120°

ORDERING GUIDE

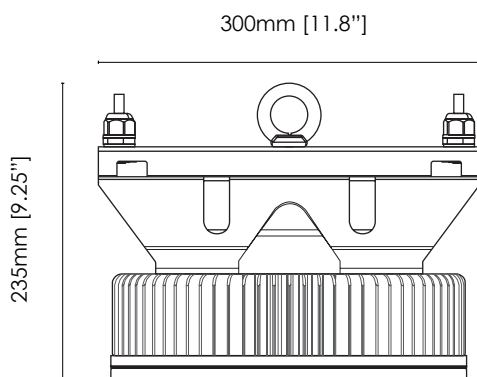
Ordering code example: AE-IL-LM320W-840-UV-G(120)-D

FIXTURE FAMILY	POWER*	CRI	CCT	VOLTAGE	BEAM ANGLE*	DIMMING
AE-IL-LM ERALUX Lumina industrial fixtures round high bay	320W- 320 Watts: 48,000 lumens	8 Normal 80 CRI	30- 3000K CCT	UV- 100-277V input voltage range	G(120)- 120° beam angle	D 0-10V external dimming
	480W- 480 Watts: 72,000 lumens		35- 3500K CCT			
			40- 4000K CCT			
			50- 5000K CCT			

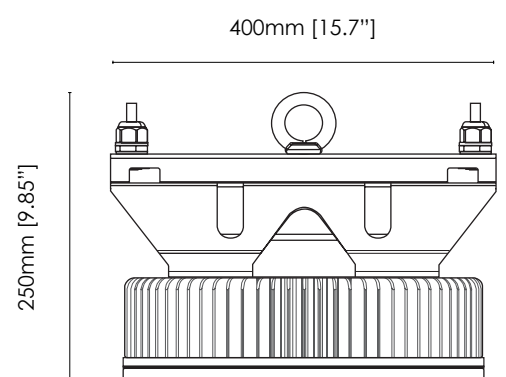
* 320W & 480W (Both UV and HV) are only available in 120° glass lens beam angles.

LUMINA

DIMENSIONS



AE-IL-LM320W-RXX-UV



AE-IL-DM480W-RXX-UV



The TITAN ELITE series has a robust design which features well-distributed soft lighting, high stability, long life and elegance. This product is available in several lumen packages and in 2 possible lengths.

OPERATIONS & ELECTRICAL

Input Voltage : 120-347 Vac

Dimming : 0-10V external dimming down to 10%

Lumens per Watt : 135 LPW at 80CRI

Beam angle: 120°

ORDERING GUIDE

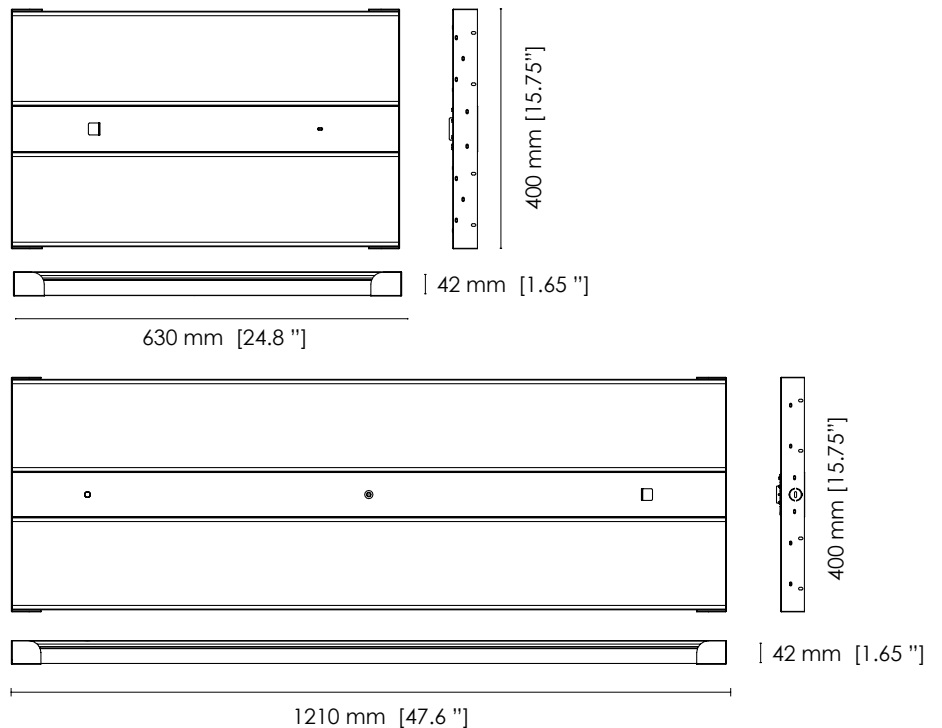
Ordering code example: AE-IL-TTCA2FT160W-D-40K

FIXTURE FAMILY	VOLTAGE	SIZE	POWER	CONTROLS	CCT
----------------	---------	------	-------	----------	-----

TITAN ELITE

AE-IL-TT2 ERALUX Titan ELITE industrial fixtures rectangular high bay	CA 120-347V input voltage range	2FT 2 feet length	225W 225 watts: 30,375 lumens 225/165/120W	-D 0-10V dimming down to 10%	-35K 3500K CCT
		4FT 4 feet length	300W 300 watts: 40,500 lumens 300/225/165W		-40K 4000K CCT
					-50K 5000K CCT

DIMENSIONS



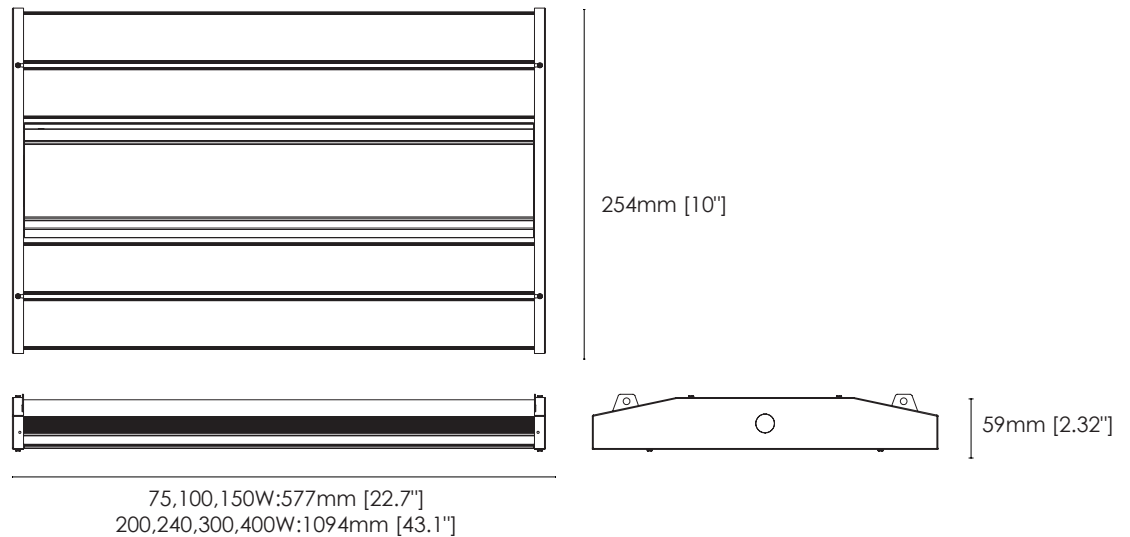


The Trinity Series industrial fixture is a linear high-bay series by ERALUX. It is offered in several sizes and has several mounting methods to suit your project space. One of the distinctive features of this fixture is the use of aluminum extrusions in order to offer the maximum surface area for the heatsinking of the led arrays. This ensures a longer lifetime of the fixture while enabling a higher performance.

OPERATIONS & ELECTRICAL

Input Voltage : 120-277 Vac, 347-480 Vac
 Dimming : 0-10V external dimming down to 10%
 Lumens per Watt : ~140-150 LPW at 80 CRI
 Beam angle: 120°

DIMENSIONS



TRINITY

ORDERING GUIDE

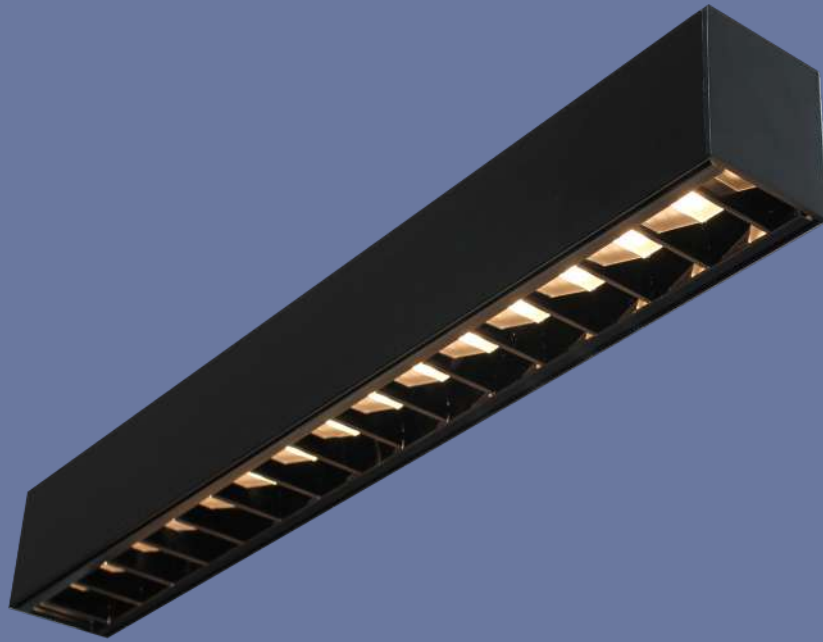
Ordering code example: AE-IL-TR75W-40-UV-220-120-0-10SS

FIXTURE FAMILY	POWER	CCT	VOLTAGE	LED CODE	BEAM ANGLE	CONTROL	DRIVER		
AE-IL-TR ERALUX industrial fixtures Trinity rectangular high bay	75W- 75 Watts: 11,250 lumens	40- 4000K CCT	UV- 120-277V	220-	120- 120° beam angle	0-10 0-10 external dimming down to 10%	SS		
	100W- 100 Watts: 15,000 lumens							280-	
	150W- 150 Watts: 22,500 lumens							440-	
	200W- 200 Watts: 30,000 lumens							560-	
	240W- 240 Watts: 36,000 lumens							680-	
	300W- 300 Watts: 45,000 lumens							880-	
	400W- 400 Watts: 60,000 lumens							1120-	EM- Emergency battery backup
									MS- Microwave Sensor PIR Sensor 120-277 Vac

LIMITLESS POTENTIAL FOR CREATING MODERN AND EFFORTLESS LIGHTING

Elegance, simplicity, and durability that upgrades your next project with limitless combinations.

Linear fixtures are the sleek solution for a modern setting. Blending beautifully, or configured to make a statement, the linear has endless possibilities. ERALUX's linear fixtures vary in length, mounting options, colours, and so much more. Connected to make a continuous run seamlessly, allowing one to alter how they chose to bring light into a space. ERALUX offers linear fixtures that provide up and down lighting or solely down lighting. A great fit into different ceiling types, available in different shapes, the linears are limitless.





The JOBBER series is an economical yet discrete replacement for linear fixtures. They are available in 4- and 8-foot lengths and are designed to meet installation needs for surface-mounted requirements. Furthermore, this luminaire offers performance above 130 LPW while showing great versatility in operating voltage from 120 to 347V. The luminous part is integrated and fastened to the fixture body by snap-locks which makes it easy to open fixtures. Field-adjustable light output and CCT options. This product is also available in white and black finish.

OPERATIONS & ELECTRICAL

Input Voltage : 120-347 Vac

Dimming : 0-10V external dimming down to 10%

Lumens per Watt : 125 LPW at 80CRI

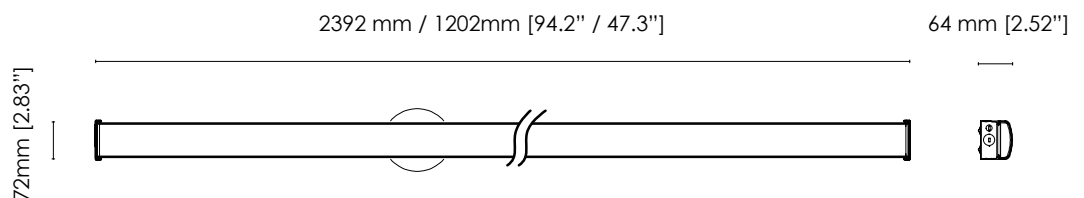
Distribution : Lambertian

ORDERING GUIDE

Ordering code example: AE-SF-JBCA-0445/38/34-835-50

FIXTURE FAMILY	INPUT VOLTAGE	LENGTH	POWER	CCT	SENSOR
AE-SF-JB ERALUX Jobber linear strip fixture	CA- 120-347V	02 2FT length	25/20/15	-835-50 80 CRI CCT Switchable: 3500K/4000K/5000K	[BLANK] -MS Bi-level motion sensor
			25 watts: ~3,250 lumens		
			20 watts: ~2,600 lumens		
		15 watts: ~1,950 lumens			
		04 4FT length 47.3''	45/38/34		
			45 watts: ~5895 lumens		
38 watts: ~4,978 lumens 34 watts: ~4,454 lumens					
08 8FT length 94.2''	90/75/65				
	90 watts: ~11,790 lumens				
	75 watts: ~9,825 lumens 65 watts: ~8,515 lumens				

DIMENSIONS





The MOONRAKER EVOLVE series is an economical replacement for linear fixtures. They are available in 4 feet lengths and are designed to meet installation needs for surface-mounted requirements. Furthermore, this luminaire offers a performance above 115 LPW at a variety of power and CCT options while showing great versatility in operating voltage from 120-347 Vac.

OPERATIONS & ELECTRICAL

Input Voltage : 120-347 Vac
 Dimming : 0-10V
 Lumens per Watt : 108~115 LPW at 80 CRI
 Distribution : Lambertian

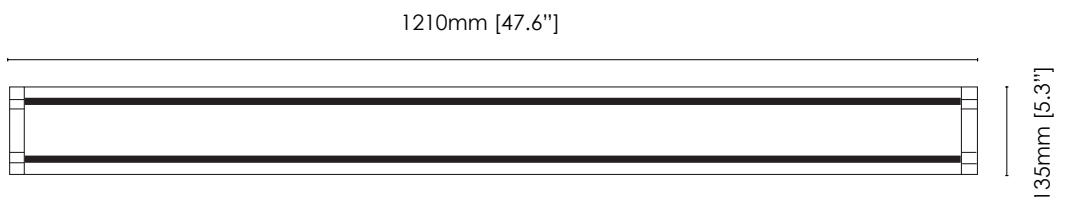
ORDERING GUIDE

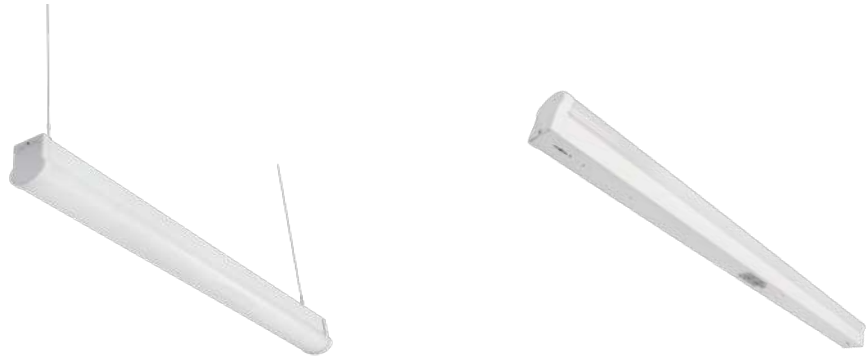
Ordering code example: AE-SF-MRE-04-3248N

MOONRAKER EVOLVE

FIXTURE FAMILY	LENGTH	POWER	CRI & CCT
AE-SF-MRE- Moonraker Evolve linear wraparound fixture 120-347V	04- 4FT length	3248 Switchable Power 48 watts: 5,520 lumens 40 watts: 4,600 lumens 32 watts: 3,680 lumens	N 80 CRI 3500K, 4000K, 5000K CCT Switchable

DIMENSIONS





The ECO STRIP fixture is the economical option for quick retrofit or new construction needs where there is an extreme focus on the return on investment. The ECO STRIP fixtures come in two standard lengths of 2, 4 and 8 feet providing ~130 LPW performance. The polycarbonate lens and design also provide additional robustness and durability. The versatility of this product allows installation in garages, stairwells, and storage areas.

OPERATIONS & ELECTRICAL

Input Voltage : 120-277 Vac
 Dimming : 0-10V
 Lumens per Watt : ~130 LPW at 80 CRI
 Distribution : Lambertian

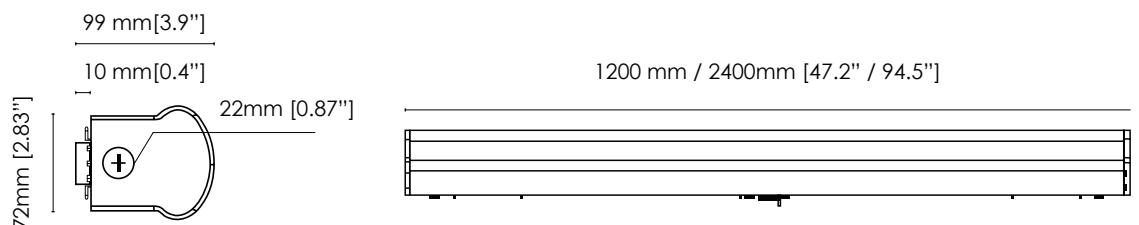
ORDERING GUIDE

Ordering code example: AE-SF-ER-ECOUV432N30-010WH

ECO STRIP

FIXTURE FAMILY	VOLTAGE	LENGTH	POWER	CRI	CCT	CONTROLS	FINISH	
AE-SF-ER-ECO UV ERALUX Eco Strip 120-277V linear fixture		4 4 feet fixture length	32 32 watts: 4100 lumens	N Normal 80 CRI	30 3000K CCT	-010 0-10V dimming	WH White painted finish	
			40 40 watts: 5000 lumens		35 3500K CCT	-MS Motion Sensor		
		8 8 feet fixture length	65 65 watts: 8250 lumens		40 4000K CCT	-EM 8W Emergency back up		
			90 90 watts: 11000 lumens		-MSEM Motion sensor + 8W Emergency back up			
						50 5000K CCT		

DIMENSIONS





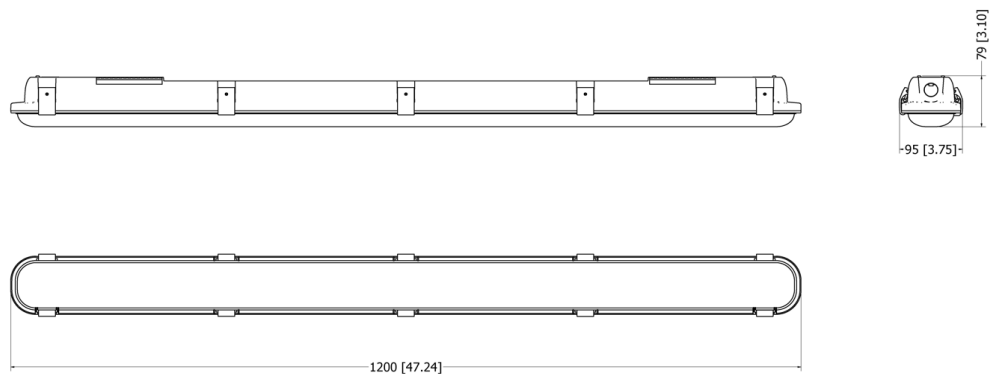
The VADOR EVOLVE Series is an energy-efficient and economical LED linear fixture designed for harsh environments and industrial-suited applications where dust and water resistance are necessary. This fixture is configured with adjustable power and CCT switches that can cover most of your project needs. Integrated lens and module plate that makes the installation process simply a breeze.

OPERATIONS & ELECTRICAL

Input Voltage : 120-347 Vac
 Dimming : 0-10V external dimming down to 10%
 Lumens per Watt : 130 LPW at 80CRI
 Distribution : Lambertian

DIMENSIONS

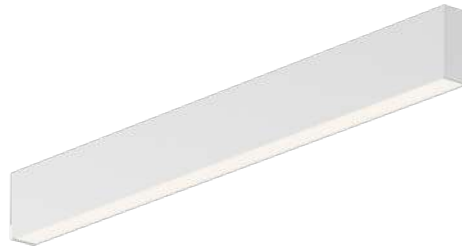
VADOR EVOLVE



ORDERING GUIDE

Ordering code example: AE-SF-VDE-CA-4-54/46/38-010-8XX

FIXTURE FAMILY	INPUT VOLTAGE	SIZE	POWER	CONTROLS	CRI & CCT	SENSOR/EMBB
AE-SF-VDE VADOR EVOLVE Series Tri-proof linear fixture	CA 120-347V	4- 4 feet: 47.2'' 1200mm	54/46/38- 54/46/38 watts: 7020/5980/4940 lumens	010- 0-10V dimming	8XX 80 CRI & 3500K/4000K/ 5000K CCT Switchable	[BLANK] -MS Microwave motion sensor -EM Emergency Battery Back-up (8W)



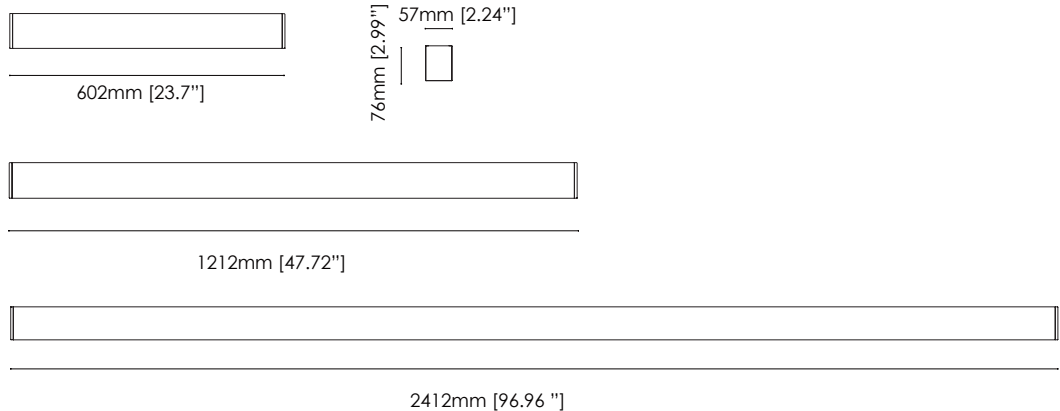
The Falcon series is the economical and yet discrete replacement for surface mount and trim-less look of plaster-in recessed linear fixtures. They are available in 2-, 4- and 8-foot lengths to fulfill various design purpose. Furthermore, this luminaire offers a performance up to 130 LPW while showing great versatility in operating voltage from 120-347 Vac.

OPERATIONS & ELECTRICAL

Input Voltage : 120-347 Vac
 Dimming : 0-10V
 Lumens per Watt : 88 - 108 LPW at >80CRI
 Distribution : 110° Downlight

DIMENSIONS

FALCON



ORDERING GUIDE

Ordering code example: : AE-SF-FA-2-18W-CA01030/40/50BKSMT

FIXTURE FAMILY	LENGTH	POWER	INPUT VOLTAGE	CONTROLS	CCT	FINISH	MOUNTING
AE-SF-FA- ERALUX FALCON linear architectural fixture	2 2' (602mm/1.975ft/23.71in)	-18W 1650-1950 lumens					
	4 4' (1212mm/3.976ft/47.72in)	-36W 3200-3850 lumens	-CA 120-347V	-010 0-10V external dimming down to 10%	30/35/40 3000/3500/4000K Dimmable & CCT Switchable	WH ERALUX Nebula White	SMT Surface mount
	8 8' (2412mm/94.96ft/7.91in)	-72W 6400-7700 lumens			30/40/50 3000/4000/5000K Dimmable & CCT Switchable	BK ERALUX Atomic Black	



What we have done with the 2nd generation of our most popular fixture is take customers' feedback into consideration. Now with a remolded housing that meets the modern project space, the G5's housing can be connected seamlessly in both light and fixture appearance. Available for suspended mounting, surface mounting, and wall mounting in various run lengths.

OPERATIONS & ELECTRICAL

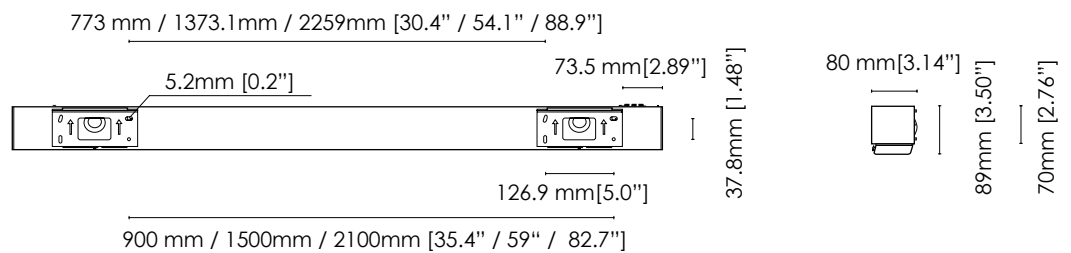
Input Voltage : 120-347 Vac

Dimming : 0-10V dimming with dim-to-off

Lumens per Watt : 120 LPW at 80 CRI (6 FT & 8FT); 105 LPW at 80 CRI (4 FT)

Distribution : Lambertian

DIMENSIONS



G5

ORDERING GUIDE

Ordering code example: AE-SF-G5CA44030/40/50010WH-GB

FIXTURE FAMILY	VOLTAGE	LENGTH	POWER	CCT	CONTROLS	FINISH	DIMMING	ACCESSORIES
AE-SF-G5 ERALUX G5 linear architectural fixture	CA 120-347V input voltage	2 2 feet length	20 20 watts: 2100 lumens				[LEAVE BLANK] 0-10V Standard	-PU Power cord – 120-277V
		4 4 feet length	40 40 watts: 4200 lumens	30/35/40 3000/3500/4000K selectable CCT	010 0-10V dimming with dim-to- off	WH-GB ERALUX Nebula White	-LDE1** Lutron Hi- lume 1% EcoSystem driver with Soft- on, Fade- to-Black dimming	-PU-C Power cord – 120-277V with 5-inch Canopy
		5 5 feet length	40 40 watts: 4200 lumens	30/40/50 3000/4000/5000K selectable CCT		BK-GB ERALUX Atomic Black		-PH Power cord – 120-347V
		6 6 feet length	50 50 watts: 6000 lumens			SV-GB Silver	-EMBB*** Emergency battery backup	-PH-C Power cord – 120-347V with 5-inch Canopy
		8 8 feet length	70 70 watts: 8400 lumens					

Each fixture comes standard with 2x 6FT suspension cables

*Default CCT setting is 3500K, but can be changed upon request before shipping.

**LDE1 option requires color selection if not the default CCT, 3500K.

***EMBB option available in 120-277V only.



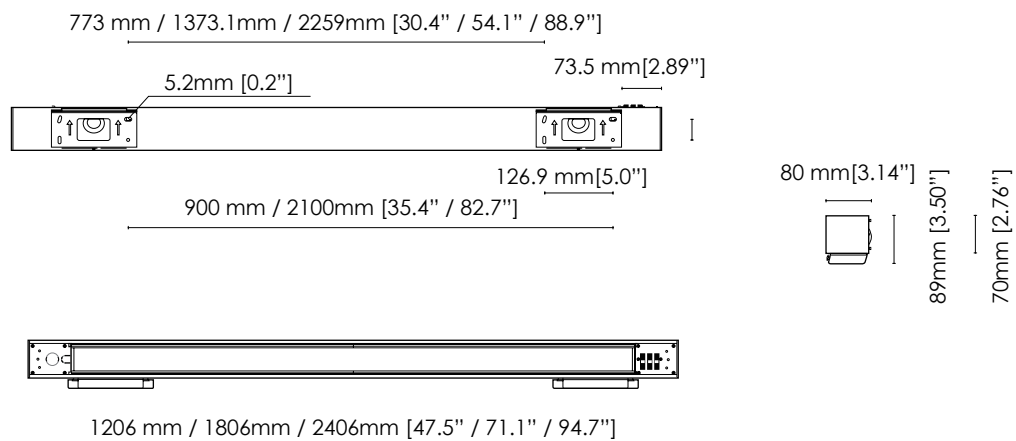
The G5 LED provides an unsurpassed flexibility that we have been looking for in commercial offices. With a simple switch, the G5 can switch CCT from 3000K, to 4000K to 5000K. This luminaire uses lenses developed to provide a new level of general lighting using linear lights. It is perfect for new buildings, upgrades and retrofit projects. This series can be ideally pendant, surface or wall mounted; and the linear tube lights may be mounted in a continuous row to fit your application requirement.

OPERATIONS & ELECTRICAL

Input Voltage : 120-277 Vac, 347 Vac
 Dimming : 0-10V external dimming down to 10%
 Lumens per Watt : 100 LPW at 80CRI
 Distribution : Linear Flood Wall Wash

DIMENSIONS

G5 Wall MOUNT



ORDERING GUIDE

Ordering code example: AE-SF-G5CA440N30/35/40010-WMT-WH-GB

FIXTURE FAMILY	VOLTAGE	LENGTH	POWER	CRI	CCT	CONTROLS	MOUNTING	FINISH	GEN
AE-SF-G5 ERALUX G5 linear architectural fixture	-CA 120-347V input voltage	4	40		30/35/40			WH	
		4 feet length	40 watts 4000 lumens		3000/3500 4000K selectable CCT	-010 0-10V external dimming down to 10%	-WMT Wall mounted	ERALUX Nebula White	
		6	50	N	30/40/50			BK	-GB
		6 feet length	50 watts 5000 lumens	Normal 80 CRI	3000/4000 5000K selectable CCT			ERALUX Atomic Black	Generation 2
		8	80						
		8 feet length	80 watts 8000 lumens						



The G5 PRIME is a high-end, low glare architectural linear which offers a high lumen output while maintaining an UGR level below 16. The housing can be connected seamlessly to achieve long runs. It is available for suspended mounting, surface mounting, and wall mounting in various run lengths. Our ERALUX color finish reduces glare by using a baked enamel coating that enhances your project space.

OPERATIONS & ELECTRICAL

Input Voltage : 120-347 Vac

Dimming : 0-10V

Lumens per Watt : 100 LPW at 80 CRI (6FT & 8FT); 90 LPW at 80 CRI (4 FT)

Distribution : Lambertian

DIMENSIONS

G5 PRIME



606/1206/1806/2406mm [23.75" /47.5"/71.1"/94.7"]

ORDERING GUIDE

Ordering code example: AE-SF-G5CA440N30/35/40010-WMT-WH-GB

FIXTURE FAMILY	VOLTAGE	LENGTH	POWER	CCT	CONTROLS	FINISH	LENS
AE-SF-G5 ERALUX G5 linear architectural fixture	CA 120-347V	4 4 feet length	40 40 watts 4200 lumens	30/35/40* 3000/3500/4000K selectable CCT	-010 0-10V dimming with dim-to-off	WH ERALUX Nebula White	-P Parabolic Lens
		6 6 feet length	50 50 watts 5000 lumens	30/40/50 3000/4000/5000K selectable CCT		BK ERALUX Atomic Black	
		8 8 feet length	70 70 watts 7000 lumens			SV Silver	

*Each fixture comes standard with 2x 6FT suspension cables



The G5 PRIME SHADOW is a high-end, black reflector, low glare architectural linear, which offers a high lumen output while maintaining a UGR level below 16. The housing can be connected seamlessly to achieve longer runs. It is available for various run lengths for suspended mounting, surface mounting, and wall mounting. Our ERALUX colour finish reduces glare using a baked enamel coating that enhances your project space.

OPERATIONS & ELECTRICAL

Input Voltage : 120-347 Vac

Dimming : 0-10V dimming with dim-to-off

Lumens per Watt : 60 LPW at 80 CRI for (6 & 8FT); 54 LPW at 80 CRI (4FT)

Distribution : Lambertian

DIMENSIONS

G5 PRIME SHADOW



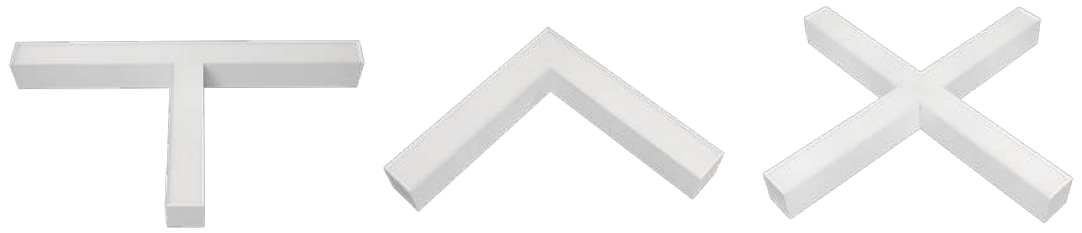
606/1206/1806/2406mm [23.75" /47.5"/71.1"/94.7"]

ORDERING GUIDE

Ordering code example: AE-SF-G5CA44030/40/50010WH-GB

FIXTURE FAMILY	VOLTAGE	LENGTH	POWER	CCT	CONTROLS	FINISH	LENS
AE-SF-G5 ERALUX G5 linear architectural fixture	CA 120-347V	4 4 feet length	40 40 watts: 2,160 lumens	30/35/40 3000/3500/4000K selectable CCT	010 0-10V dimming with dim-to-off	WH-GB ERALUX Nebula White	-PS Parabolic Black Lens
		6 6 feet length	50 50 watts: 3000 lumens	30/40/50 3000/4000/5000K selectable CCT			
		8 8 feet length	70 70 watts: 4200 lumens				
						SV-GB Silver	

Each fixture comes standard with 2x 6FT suspension cables



The SPT series light fixture features a 30% up-light and a 70% downlight, ideal for office space to ensure a uniformly lit working space. These fixtures can be mounted in a continuous row seamlessly. The SPT also features the selectable CCT capabilities enabling the end user to set up their environment to the right ambiance.

OPERATIONS & ELECTRICAL

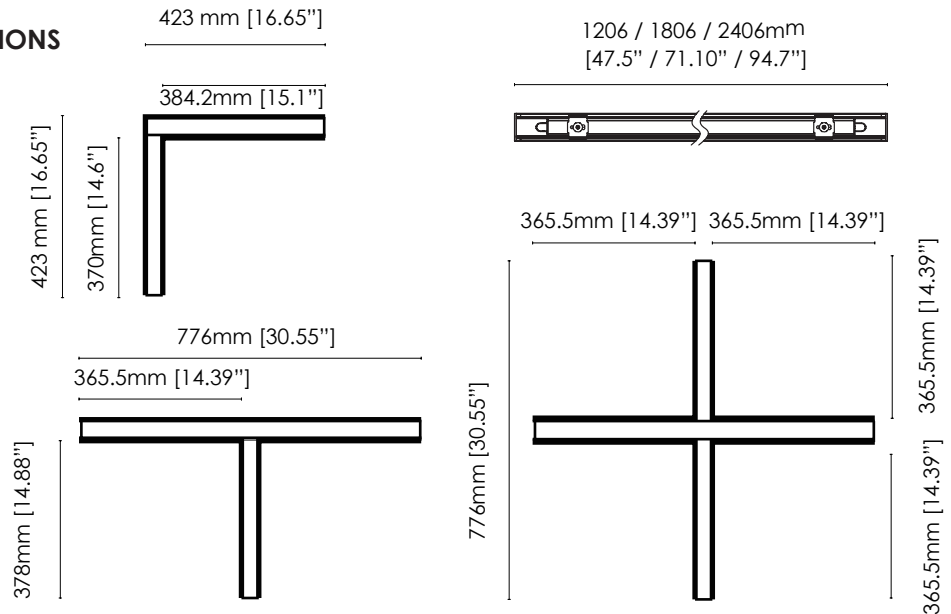
Input Voltage : 120-347 Vac

Dimming : 0-10V external dimming

Lumens per Watt : 105 LPW at 80CRI, 4000K

Distribution : Lambertian: 30% up-light, 70% downlight

DIMENSIONS



SPT

ORDERING GUIDE

Ordering code example: AE-SF-SPTCA45030/35/40010WH-GB

FIXTURE FAMILY	VOLTAGE	LENGTH	POWER	CCT	CONTROLS	FINISH	DIMMING	ACCESSORIES
AE-SF-SPT ERALUX SPT Selectable linear architectural fixture	CA 120-347V	2 2 feet	30 30 watts: 3,150 lumens 30% up-light, 70% downlight	30/35/40 3000/3500/4000K selectable CCT	010 0-10V external dimming	WH-GB ERALUX Nebula White	[LEAVE BLANK] None	-PU Power cord 120 – 277V
		4 4 feet	50 50 watts: 5250 lumens 30% up-light, 70% downlight				-LDE1** Lutron Hi-lume 1% EcoSystem driver with Soft-on, Fade- to-Black dimming technology down to 1%	-PU-C Power cord 120 – 277V with 5-inch Canopy
		6 6 feet	80 80 watts: 8400 lumens 30% up-light, 70% downlight				-PH Power cord 120 – 347V	
		8 8 feet	100 100 watts: 10500 lumens 30% up-light, 70% downlight				-EMBB*** Emergency Battery Backup	-PH-C Power cord 120 – 347V with 5-inch Canopy

NOTES:

2x 6FT suspension cables included with fixture purchase

***EMBB option available in 120-277V only

**LDE1 option requires color selection if not the default CCT, 3500K.

* Default CCT setting is 3500K, but can be changed upon request before shipping



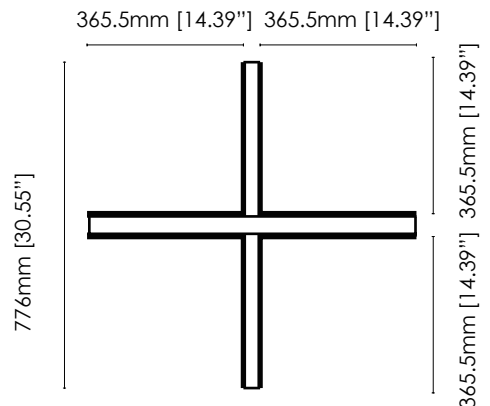
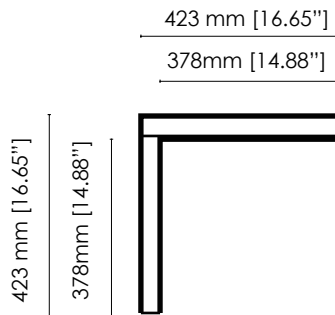
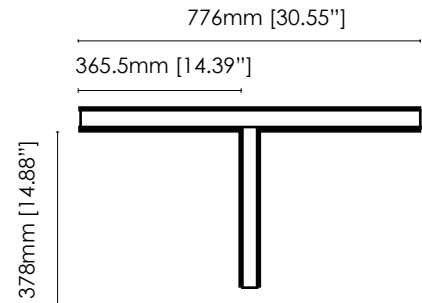
The G6 is the next evolution of linear architectural lighting. The G6 series offers a simple installation that also allows the option of continuous rows with a seamless transition from fixture to fixture. It has a sleek modern look and comes in three unique finishes Nebula White, Atomic Black and Silver. The G6 provides the elegance that will enhance the lighting environment and impose a distinguished design for the entire space.

OPERATIONS & ELECTRICAL

Input Voltage : 120-347 Vac
 Dimming : 0-10V external dimming down to 10%
 Lumens per Watt : 91 LPW at 90 CRI White
 87 LPW at 90 CRI Black
 Distribution : Lambertian

DIMENSIONS

606 / 1206 / 1806 / 2406mm
 [23.85" / 47.5" / 71.10" / 94.7"]



ORDERING GUIDE

Ordering code example: AE-SF-G6-A-CA-220-B-P30-010-PL-WH

FIXTURE FAMILY	GEN	VOLTAGE	SIZE	POWER	ACCENT	CRI	CCT	DIMMING	LENS	FINISH
AE-SF-G6 ERALUX G6 linear architectural fixture	-A First GEN	-CA 120-347V	2	20 20 watts 1780 lumens	-B No Accent	-P 90 CRI	30 3000K CCT 35 3500K CCT 40 4000K CCT 50 5000K CCT	-010 0-10V external dimming down to 10%	-PL Full length polycarbonate lens	WH-GB ERALUX Nebula White finish to reduce glare off the housing BK-GB ERALUX Atomic Black finish to reduce glare off the housing SV-GB Silver – RAL9006
			4	40 20/30/40 watts 1780/2670/3560 lumens						
			6	50 30/40/50 watts 2670/3560/4450 lumens						
			8	70 40/70 watts 3560/6230 lumens						



The SPS series is a revolutionary compact product with the ability to adjust lumen output and offers a variety of uplight and downlight options. It even offers the unique option of 100% uplight. Whether its pendant mount or wall mount, the installation process is simple and will result in an elegant lighting solution.

OPERATIONS & ELECTRICAL

Input Voltage : 120-347 Vac

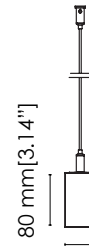
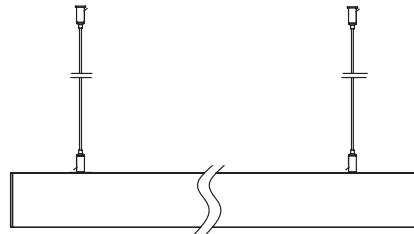
Dimming : 0-10V external dimming down to 10%

Lumens per Watt : 88 LPW at 90 CRI (white) & 75 LPW at 90 CRI (black)

Distribution : Lambertian

DIMENSIONS

1206 mm / 1806mm / 2406mm [47.5" / 71.1" / 94.7"]



45 mm [1.77"]

SPS

ORDERING GUIDE

Ordering code example: AE-SF-SPS-A-CA-450-B-P30-010-PL-WH

FIXTURE FAMILY	GEN	VOLTAGE	SIZE	POWER	ACCENT	CRI	CCT	DIMMING	LENS	FINISH	BEAM
AE-SF-SPS ERALUX SPS architectural fixture	-A First GEN	-CA 120-347V input voltage	-2 2 feet length	30 20/30W	-B No Accent	-P 90 CRI	30 3000K CCT 35 3500K CCT 40 4000K CCT 50 5000K CCT	-010 0-10V external dimming down to 10%	-PL Full length polycarbonate lens	-WH ERALUX Nebula White	[LEAVE BLANK] 30% up light, 70% downlight
			-4 4 feet length	50 30/40/50W							
			-6 6 feet length	80 50/60/80W							
			-8 8 feet length	100 60/80/100W							
									-BK ERALUX Atomic Black	-100U 100% up light, 0% downlight	
									-SV Silver - RAL7044	-60U40D 60% up light, 40% downlight	

2x 6FT suspension cables included with fixture purchase



The F2 series is the surface mount linear architectural lighting fixture from ERALUX. The F2 Series offers the simplicity of installation for a fast and efficient delivery. It is further enhanced with the access to the led board, drivers and any other components from below. They are available in 4-, 6- and 8-feet lengths. The CCT switchable switch also enables a rapid change of lighting environment.

OPERATIONS & ELECTRICAL

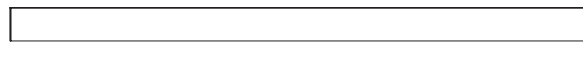
Input Voltage : 120-277 Vac

Dimming : 1-10V

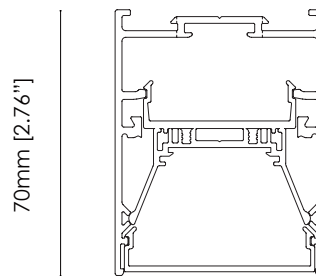
Lumens per Watt : 750lm/ft

Beam angle: Lambertian

DIMENSIONS



1232/1841/2451mm [48.5" /72.48"/96.5"]



55mm [2.17"]

F2

ORDERING GUIDE

Ordering code example: AE-SF-F2-4-31-30/40/CCT-BK

FIXTURE FAMILY	LENGTH	POWER	CCT	FINISH
AE-SF-F2- ERALUX F2 surface mount linear architectural fixture	4 4 Feet	-31 31W-3,000 lumens	-30/40/CCT- 3000/3500/4000K switchable CCT	BK ERALUX Atomic Black
	6 6 Feet	-46 46W-4,500 lumens		WH ERALUX Nebula White
	8 8 Feet	-61 61W-6,000 lumens		SV Silver Finish



Elevating the F2 series, the F2 AIR offers the same simplicity for maintenance in installation as the original F2 series, but as a suspended fixture with its ease of access of the LED boards, drivers and any other components from below. This modern fixture is available in 4-, 6- and 8- lengths. Its CCT selectable option allows users to change the light color on site whenever required.

OPERATIONS & ELECTRICAL

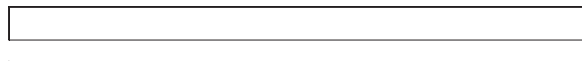
Input Voltage : 120-277 Vac

Dimming : 1-10V

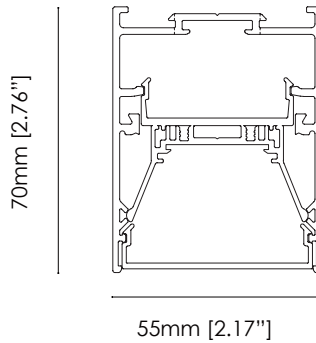
Lumens per Watt : 750lm/ft

Beam angle: Lambertian

DIMENSIONS



1232/1841/2451mm [48.5" /72.48"/96.5"]



F2 AIR

ORDERING GUIDE

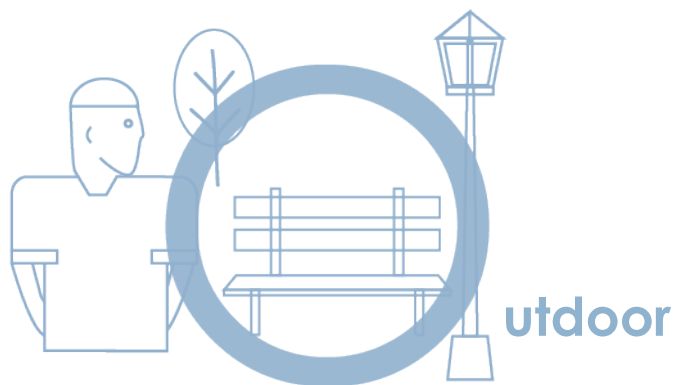
Ordering code example: AE-SF-F2-4-31-30/40/CCT-BK-AIR

FIXTURE FAMILY	LENGTH	POWER	CCT	FINISH	MOUNTING
AE-SF-F2- ERALUX F2 AIR linear architectural fixture	4 4 Feet	-31 31W-3,000 lumens	-30/40/CCT- 3000/3500/4000K switchable CCT	BK ERALUX Atomic Black	-AIR Suspended fixture includes suspension kit (AE-SF-F2-SUSPENSION-KIT-XX)
	6 6 Feet	-46 46W-4,500 lumens		WH ERALUX Nebula White	-AIRLINK Suspended fixture includes link and suspension kit (AE-SF-F2-LINK-KIT & AE-SF-F2-L- PTB-NPF-6-XX)
	8 8 Feet	-61 61W-6,000 lumens		SV Silver Finish	
				-RALXXXX Customized finish	

BRIGHT OPTIONS FOR EVERY ENVIRONMENT.

Durable and elegant lighting options to light up every environment.

Modernizing outdoor spaces with their sleek and contemporary finishes. Varying from squared or cylindrical wall-mounted fixtures to area lights, bollards, canopies, and flood lights, ERALUX offers outdoor modern LED lighting fixtures that are suitable for your next project. Available at ERALUX in a selection of CCTs, lumens and finishes, with their robust, strong, and durable designs, these outdoor LED lights are designed to endure harsh environments.



ZORRO



The ZR(ZORRO) Series from ERALUX combines the desire for high efficacy and a distinguished look in an outdoor luminaire. The ZR(ZORRO) Series features mounting methods and a variety of light distribution patterns, allowing you to tailor your luminaire to your lighting needs.

OPERATIONS & ELECTRICAL

Input Voltage : 120-347 Vac
 Dimming : 0-10V external dimming down to 10%
 Lumens per Watt : 130 LPW at 80 CRI
 Distribution : Type 3, 4, 5

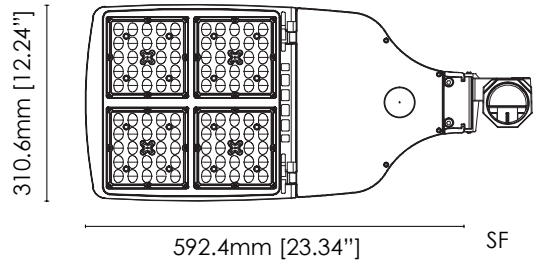
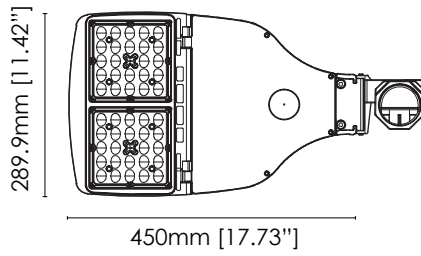
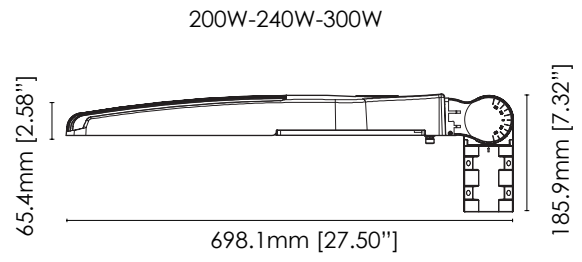
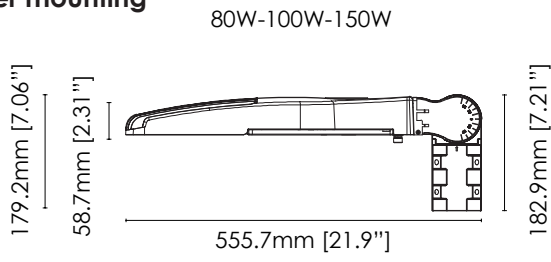
ORDERING GUIDE

Ordering code example: AE-OD-ZR-100WCA-D-40-T3-A-BZ

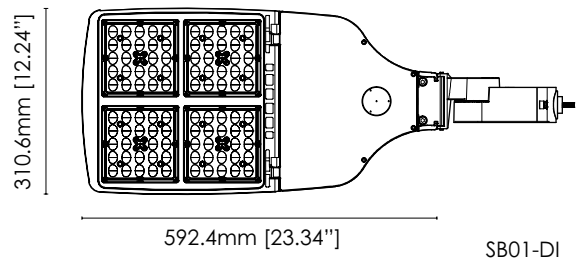
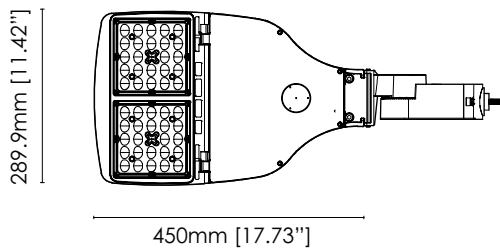
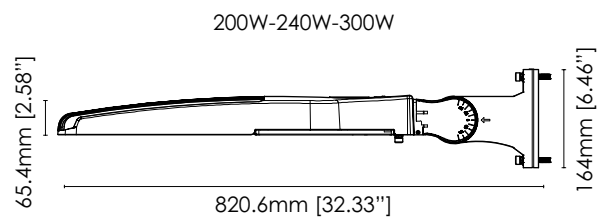
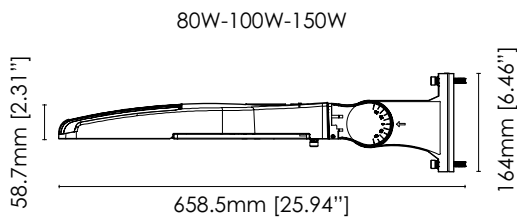
FIXTURE FAMILY	POWER	VOLTAGE	CONTROLS	CCT	DISTRIBUTION	MOUNTING TYPE	FINISH
AE-OD-ZR ERALUX ZR(ZORRO) Series Outdoor Area Light fixture	-100W 100 Watts: 13,000 lumens	CA 120-347V input voltage	-D 0-10V external dimming down to 10%	-40 4000K CCT	-T3 Type 3	-A Slip Fitter	-BZ Bronze finish
	-150W 150 Watts: 19,500 lumens					-B Direct Mount	
	-200W 200 Watts: 26,000 lumens					-C Yoke Mount	
	-240W 240 Watts: 31,200 lumens					-D No Mounting	
	-300W 300 Watts: 39,000 lumens					-E U Bracket Floodlight Mount	
			-P Photocontrol daylight sensor	-50 5000K CCT	-T4 Type 4		
					-T5 Type 5		

DIMENSIONS

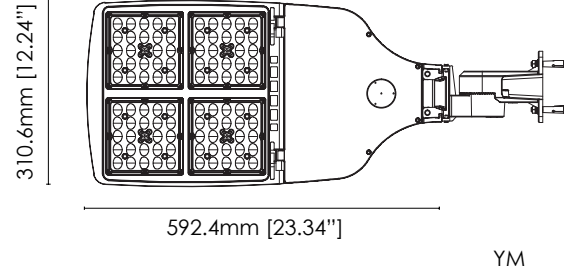
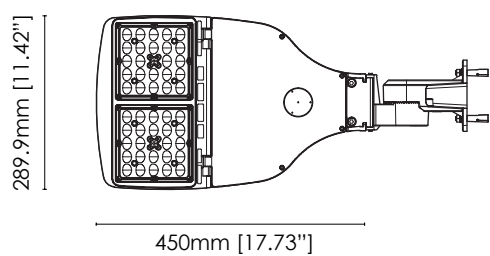
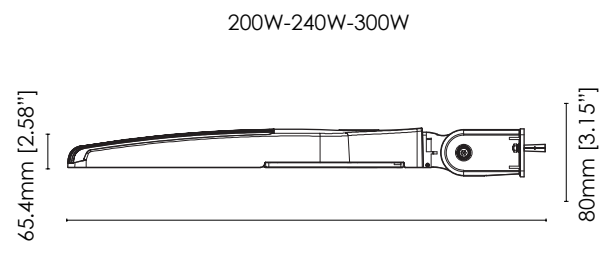
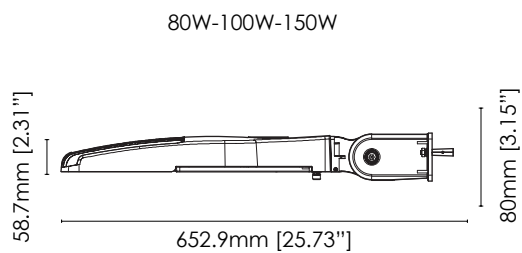
Slip Fitter mounting



Direct Bracket mounting



Yoke Mount Bracket mounting



GENESYS



The GENESYS Series from ERALUX combines the desire for high efficacy and a distinguished look in an outdoor luminaire. The GENESYS Series features mounting methods and a variety of light distribution patterns, allowing you to tailor your luminaire to your lighting needs.

OPERATIONS & ELECTRICAL

Input Voltage : 120-277 Vac, 277-480 Vac

Dimming : 0-10V

Lumens per Watt : 135 LPW at 70 CRI

Distribution : T2, T3 (rotated left or right available), T4, T5

ORDERING GUIDE

Ordering code example: AE-OD-GY-100UV-D-40-T2-A-BK

FIXTURE FAMILY	POWER	VOLTAGE	CONTROLS	CCT	DISTRIBUTION	MOUNTING TYPE	FINISH			
AE-OD-GY ERALUX GENESYS Series Outdoor Area Light fixture	-80 80 Watts: 10,500 lumens					-T2 Type 2	-BK Black finish			
	-100 100 Watts: 13,500 lumens	UV- 120-277V input voltage	-D 0-10V dimming	-22 2200K CCT	-T3N Type 3 forward	-A Slip Fitter	-BZ Bronze finish			
	-150 150 Watts: 20,250 lumens							-P Photocontrol daylight sensor	-30 3000K CCT	-T3L Type 3 left
	-200 200 Watts: 27,000 lumens	HV- 277-480V input voltage	-M Microwave controller *Only for 120-277V	-40 4000K CCT	-T3R Type 3 right	-C Yoke Mount	-AL Aluminum (RAL9006) powder coat finish*			
	-240 240 Watts: 32,400 lumens							-50 5000K CCT	-T4 Type 4	-D No Mounting
	-300 300 Watts: 40,500 lumens								-T5 Type 5	

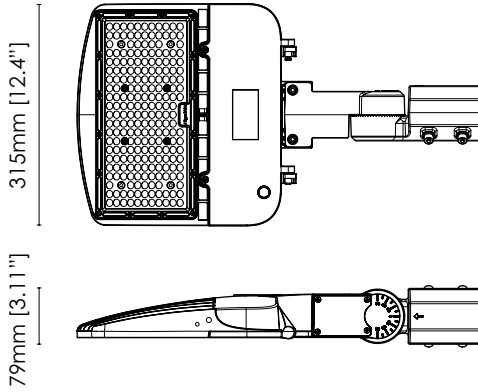
*Contact for details on lead time and availability

DIMENSIONS

100W/150W/200W

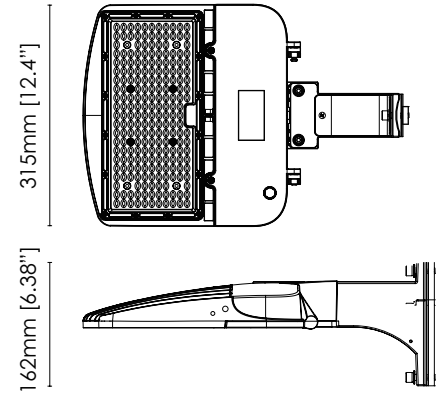
Slip Fitter mounting

575mm/618mm [22.63"/24.33"]



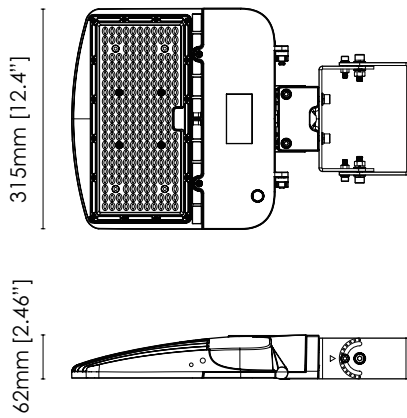
Direct mounting

462mm/505mm [18.17"/19.87"]



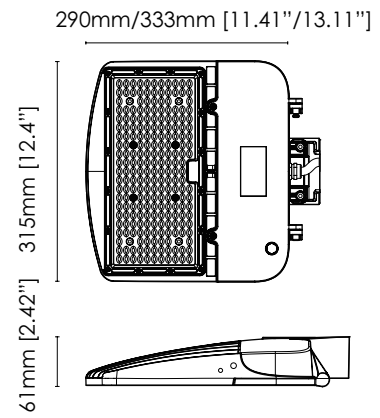
Yoke mounting

482mm/525mm [18.96"/20.66"]



No mounting

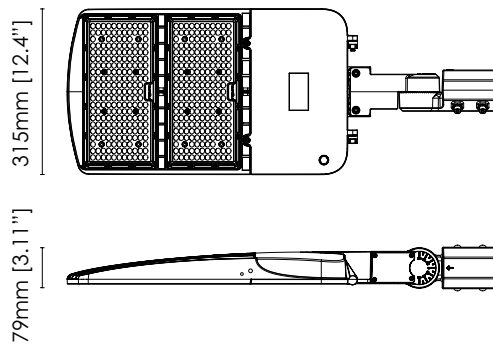
334mm/377mm [13.14"/14.84"]



240W/300W

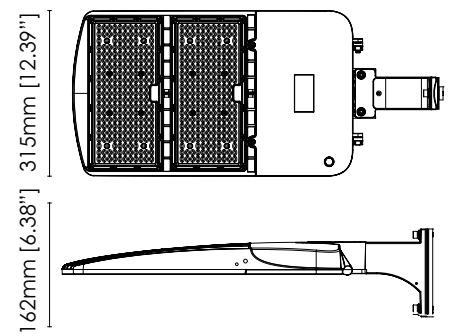
Slip Fitter mounting

818mm [32.21"]



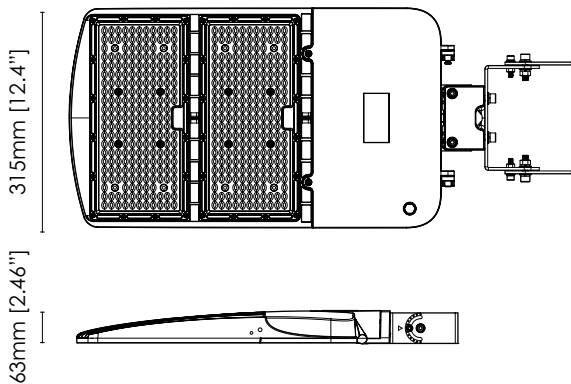
Direct mounting

705mm [27.75"]



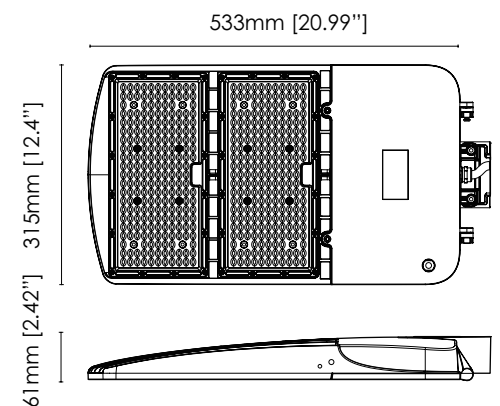
Yoke mounting

725mm [28.54"]



No mounting

577mm [22.72"]





The LOKI POST LIGHT is ideal for both security and to enhance your space decoratively whether the application be a garden, parking lot, walkway or even a park. The smooth twin strut design provide not only stability but also an aesthetic look. It provides direct downlight to comply with new industry standards and regulations. LOKI has a high output efficiency up to 130lm/w and selectable CCT and power, as well as the tool-less maintenance features, allowing extraordinary design flexibility for different application scenarios.

OPERATIONS & ELECTRICAL

Input Voltage : 120-347 Vac, 50/60Hz

Dimming : 0-10 dimming, Photocell, Motion Sensor

Lumens per Watt : 150 LPW at 70 CRI

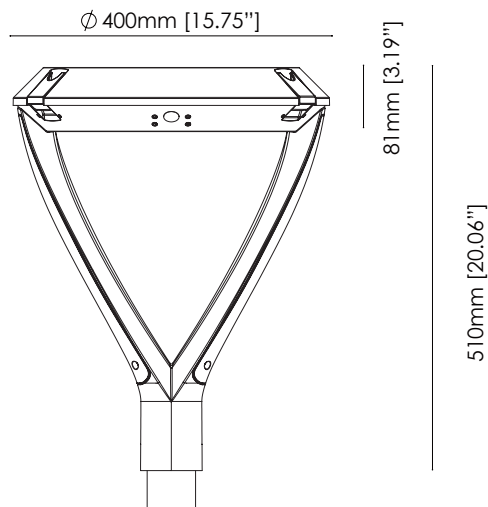
Distribution : Type 5 (150x150°)

ORDERING GUIDE

Ordering code example: AE-OD-ST40-060-010

FIXTURE FAMILY	POWER	CONTROL
AE-OD-ST40- ERALUX Loki Series Outdoor Top Post Light Fixture 3000/4000/5000K CCT Switchable	060- Power Selectable: 60/45/30/18 Watts 7800/5850/3900/2340 lumens	010 0-10V dimming PC Photocell MS Motion Sensor

DIMENSIONS





The Rizzuto Series combines the desire for high efficacy and a distinguished look in an outdoor luminaire. The Rizzuto Series' mounting methods and variety of light distribution patterns, allow you to tailor your luminaire to your lighting needs. With power options reaching up to 39,000 lumens, the Rizzuto outdoor luminaire shows that performance and functionality can be simultaneously achieved.

OPERATIONS & ELECTRICAL

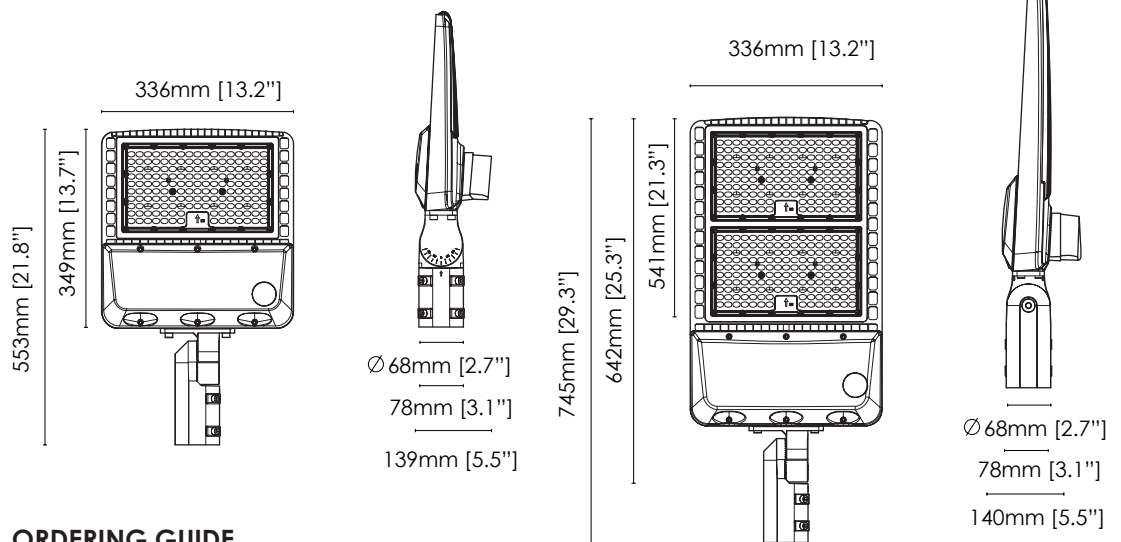
Input Voltage : 120-277 Vac, 277-480 Vac
 Dimming : 0-10V external dimming down to 10%
 Lumens per Watt : 130 LPW at 70 CRI
 Distribution : Types 2, 3, 4, 5

DIMENSIONS

AE-OD-RZ-100W, AE-OD-RZ-150W

AE-OD-RZ-200W, AE-OD-RZ-300W

RIZZUTO

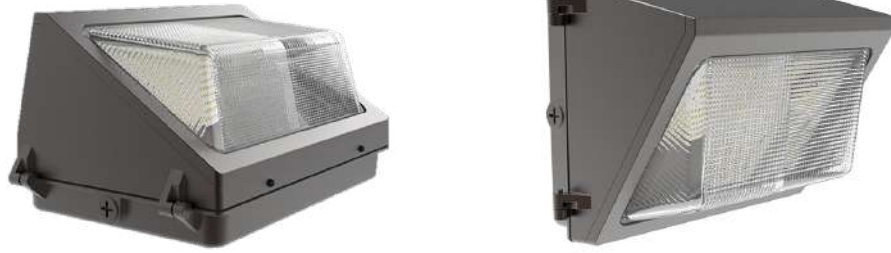


ORDERING GUIDE

Ordering code example: AE-OD-RZ-100W-7-40-D-U-T4-D-BK

FIXTURE FAMILY	POWER	CRI	CCT	CONTROLS	VOLTAGE	DISTRIBUTION	MOUNTING TYPE	FINISH
AE-OD-RZ ERALUX Rizzuto Series outdoor area light fixture	-100W 100 Watts: 13,000 lumens	-7 70 CRI	22 2200K CCT	-D 0-10V external dimming down to 10%	U 100-277V input voltage range	-T2 Type 2	-A Slip Fitter	-BK Black powder coat finish -BZ Bronze powder coat finish -WH ERALUX Nebula white powder coat finish* -AL Aluminum (RAL9006) powder coat finish*
	-150W 150 Watts: 19,500 lumens		30 3000K CCT				-B Direct Bracket	
	-200W 200 Watts: 26,000 lumens		40 4000K CCT				-C Trunnion	
	-240W 240 Watts: 31,200 lumens		-P Photocontrol daylight sensor				-D No Mounting	
	-300W 300 Watts: 39,000 lumens		50 5000K CCT				-E U Bracket for Floodlight Option	

*Contact for details on leadtime and availability



The Astellano Evolve is the traditional wall pack enhanced with progressive led technologies, and photocell, among others. The wall pack delivers up to 120 LPW in a variety of power and CCT options. The Astellano Evolve comes with a power switchable capability that can provide various power options. It is heavy-duty aluminum die-cast housing, is fully sealed to be dirt proof and proven to withstand the outdoor elements. The Astellano is living proof where performance can be found in long-standing traditional products.

OPERATIONS & ELECTRICAL

Input Voltage : 120-277 Vac, 120-347 Vac
 Dimming : 0-10V external dimming down to 10%
 Lumens per Watt : 120 LPW at 80 CRI
 Beam angle : 90°x100°

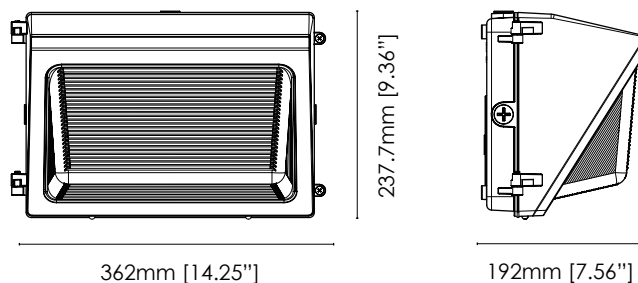
ORDERING GUIDE

Ordering code example: AE-WP-WP01-040-D-35

FIXTURE FAMILY	POWER	CONTROLS	CCT	VOLTAGE	FINISH
AE-WP-WP01-ERALUX Astellano GEN2 Series outdoor wall pack light fixture	060				-BK Black powder coat finish
	60 watts: 7200 lumens				
	40 watts: 4800 lumens	D	35	[BLANK]	-BK Black powder coat finish
	30 watts: 3600 lumens	0-10V external dimming	3500K CCT	120-277V	
	20 watts: 2400 lumens	down to 10%	40	-M	-WH* White powder coat finish
			4000K CCT	120-347V	
	120	PD	50		-AL* Aluminum (RAL9006) powder coat finish
	120 watts: 14400 lumens	Photocell with Dimming	5000K CCT		
	100 watts: 12000 lumens				
	90 watts: 10800 lumens				
80 watts: 9600 lumens					

*Contact for details on leadtime and availability

DIMENSIONS





The ASPIRE Series is a high quality, durable, and elegant wall pack LED fixture. Its robust structure allows it to be rated for both wet and dusty locations and is fully functional in a large temperature range. The ASPIRE comes in a variety of power and CCT options, while providing a luminous efficacy of 130 LPW.

OPERATIONS & ELECTRICAL

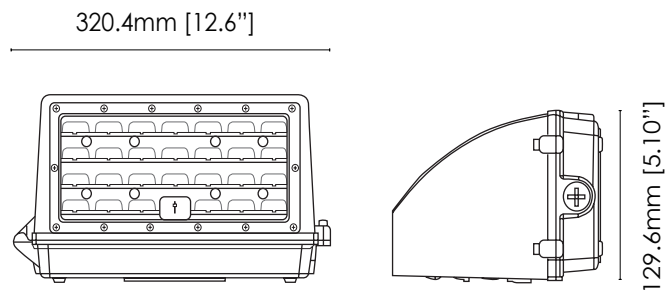
Input Voltage : 120-277 Vac, 277-480 Vac
 Dimming : 0-10V external dimming down to 10%
 Lumens per Watt : 130 LPW at 80 CRI
 Beam angle: 90° x 100°

ORDERING GUIDE

Ordering code example: AE-WP-AP-28W-H-40K-BZ

FIXTURE FAMILY	POWER	PERFORMANCE	INPUT VOLTAGE	CCT	CONTROLS	FINISH
AE-WP-AP ERALUX Aspire Series outdoor wall pack light fixture	-28W 28 Watts: 3,640 lumens					
	-40W 40 Watts: 5,200 lumens		[BLANK] 120-277V input voltage range	-30K 3000K CCT	-PC Photocell daylight sensor (Not available for HV option)	-BZ Bronze powder coat finish
	-60W 60 Watts: 7,800 lumens	-H Premium light diffusion	-HV 277-480V input voltage range	-35K 3500K CCT	-MS Motion Sensor	-BK Black Powder coat finish
	-80W 80 Watts: 10,400 lumens			-40K 4000K CCT	-MS Motion Sensor	
				-50K 5000K CCT	[BLANK] NONE	

DIMENSIONS





The Massino Series adjustable wall packs are high-efficacy luminaires with a machined finished die-cast aluminum shell. It features an adjustable head, so the beam can be aimed in various positions. It comes in a wide range of power and lumens options up to 120W at 16 800 lumens, allowing it to stand out against the competition in its wall pack category.

OPERATIONS & ELECTRICAL

Input Voltage : 120-277 Vac, 120-347 Vac
 Dimming : 0-10V external dimming down to 10%
 Lumens per Watt : 140 LPW at 70CRI
 Distribution : Type 2

ORDERING GUIDE

Ordering code example: AE-WP-MS-060L-D-40-BZ

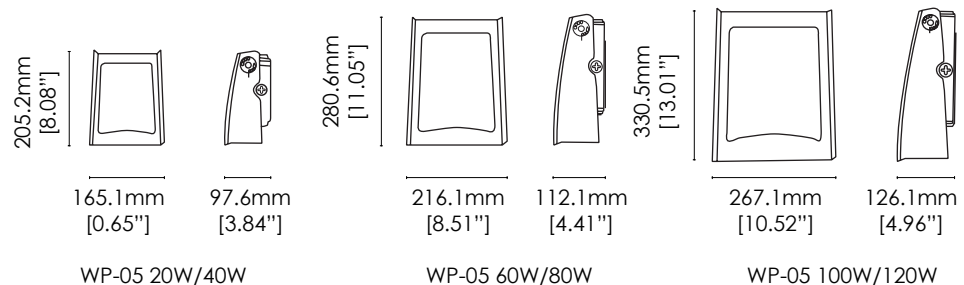
FIXTURE FAMILY POWER	VOLTAGE	CONTROLS	CCT	FINISH
----------------------	---------	----------	-----	--------

MASSINO

AE-WP-MS ERALUX Massino Series outdoor wall pack light fixture	-020 20 Watts: 2,800 lumens	L 120-277V input voltage range	-D 0-10V external dimming down to 10%	-40 4000K CCT	-BZ Bronze powder coat finish
	-040 40 Watts: 5,600 lumens			-BK Black powder coat finish	
	-060 60 Watts: 8,400 lumens	M 120-347V input voltage range	-P Photocontrol	-50 5000K CCT	-WH* ERALUX nebula white powder coat finish
	-080 80 Watts: 11,200 lumens			-AL* Aluminum (RAL9006) powder coat finish	
	-100 100 Watts: 14,000 lumens				
	-120 120 Watts: 16,800 lumens				

DIMENSIONS

*Contact for details on leadtime and availability





The Thalassa outdoor surface-mounted cylindrical LED fixture was created with a sleek design deliberately, so it could blend in with many different outdoor building styles. The Thalassa also has an impressive efficacy of 70 LPW providing performance as well as elegance in the install environment. Finally, this product is a complete aluminum die cast offering an unparalleled sense of finesse, fixture strength and quality.

OPERATIONS & ELECTRICAL

Input Voltage : 120-277 Vac

Dimming : 0-10V external dimming down to 10% (with DMG option)

Lumens per Watt : ~70 LPW at 80 CRI

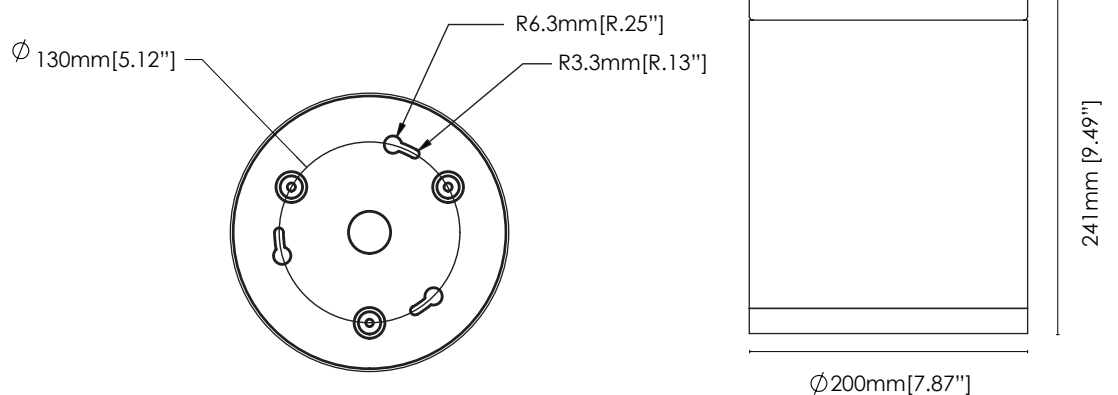
Beam angle: 24W: 10°, 25°, 38°, 45°, 60° and 40W: 8°, 18°, 36°, 62°

ORDERING GUIDE

Ordering code example: ET6020-C24-3-10-80-W-DMG

FIXTURE FAMILY	POWER	CCT	BEAM ANGLE	CRI	FINISH	CONTROL
ET6020 ERALUX Thalassa ET6020 outdoor surface mounted sconce fixture	-C24 24 watts: 1680 lumens	-3 3000K CCT	-10 10° beam angle	-80 80 CRI	-B Black powder coat finish	-DMG 0-10V external dimming down to 10%
			-25 25° beam angle			
		-4 4000K CCT	-38 38° beam angle			
			-45 45° beam angle			
		-6 6000K CCT	-60 60° beam angle			
			-08 8° beam angle			
	-C40 40 watts: 2800 lumens	-3 3000K CCT	-18 18° beam angle	-S Silver powder coat finish (RAL9006)		
			-36 36° beam angle			
		-4 4000K CCT	-62 62° beam angle			
			-5 5000K CCT			

DIMENSIONS



THALASSA ET6020



The Thalassa outdoor cylindrical LED fixture was created with a sleek design deliberately, so it could blend in with many different outdoor building styles. The Thalassa can be mounted to offer either uplight only or downlight only and offers an elegant look in the install environment. Finally, this product is a complete aluminum die cast offering an unparalleled sense of finesse, fixture strength and quality.

OPERATIONS & ELECTRICAL

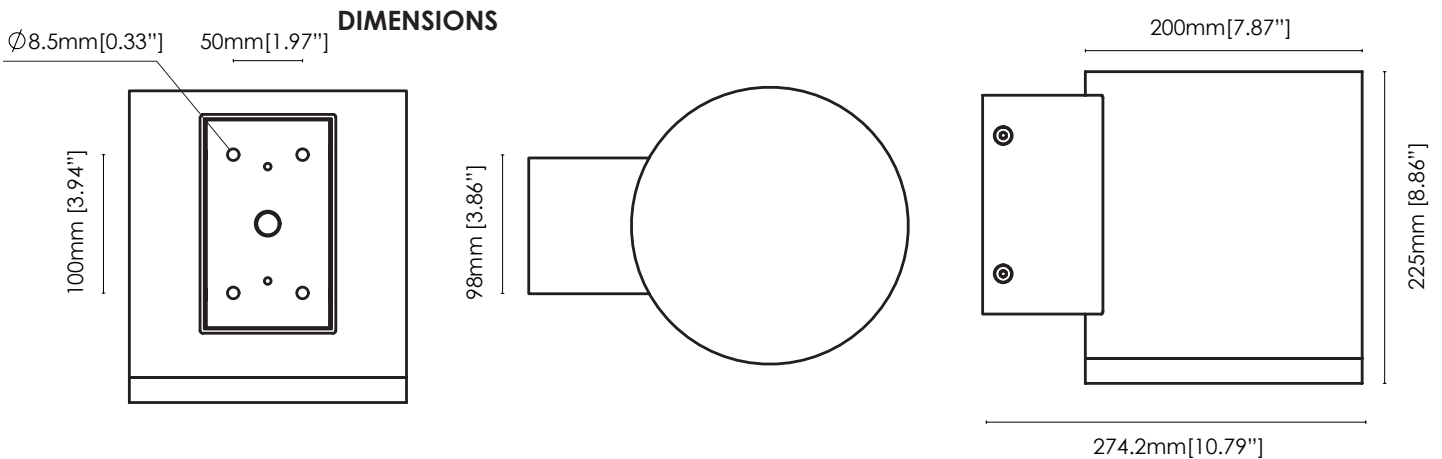
Input Voltage : 120-277 Vac
 Lumens per Watt : ~70 LPW at 80 CRI
 Dimming : 0-10V external dimming down (DMG option)
 Lumens per Watt : ~70 LPW at 80 CRI
 Angles: 24W: 10°, 25°, 38°, 45°, 60° & 40W: 8°, 18°, 36°, 62°

ORDERING GUIDE

Ordering code example: ET6022D-C24-3-25-80-B-DMG

FIXTURE FAMILY	LIGHT DIRECTION	POWER	CCT	BEAM ANGLE	CRI	FINISH	CONTROL
ET6022 ERALUX Thalassa ET6022 outdoor surface mounted sconce fixture	D Down light	-C24 24 watts: 1680 lumens	-3 3000K CCT	-10 10° beam angle	-80 80 CRI	-B Black powder coat finish	-DMG 0-10V external dimming down to 10%
			-4 4000K CCT	-25 25° beam angle			
			-6 6000K CCT	-38 38° beam angle			
				-45 45° beam angle			
				-60 60° beam angle			
				-60 60° beam angle			
	U Up light	-C40 40 watts: 2800 lumens	-3 3000K CCT	-08 8° beam angle	-S Silver (RAL9006) powder coat finish		
			-4 4000K CCT	-18 18° beam angle			
				-36 36° beam angle			
			-5 5000K CCT	-36 36° beam angle			
				-62 62° beam angle			
				-62 62° beam angle			

THALASSA ET6022





The Thalassa ET6024 outdoor cylindrical LED fixture was created with a sleek design deliberately, so it could blend in with many different outdoor building styles. The Thalassa also has an impressive efficacy of 79 LPW providing performance as well as elegance in the install environment. With both up-light and downlight, this fixture can provide the necessary illumination while providing exceptional finesse.

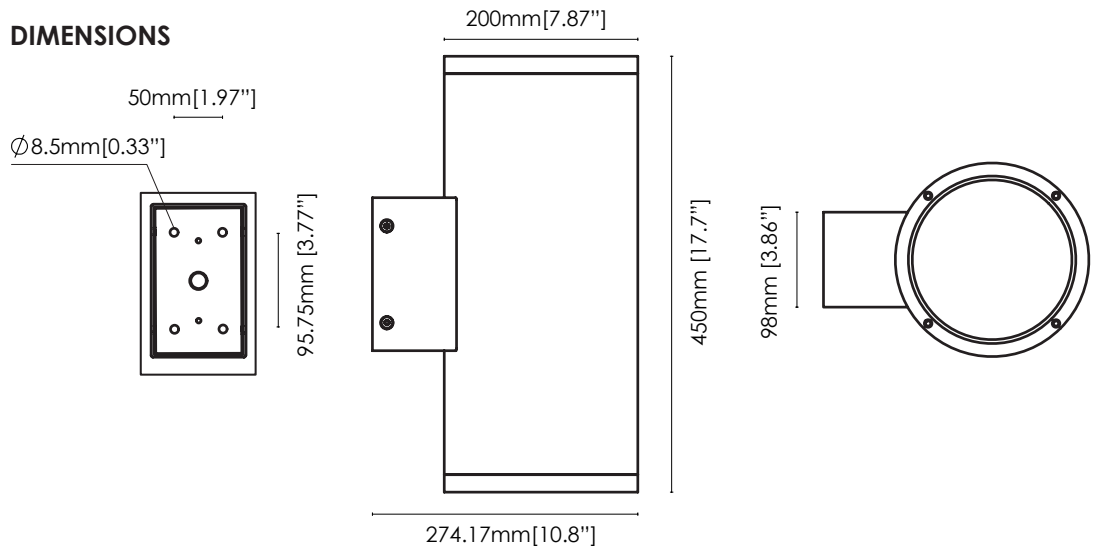
OPERATIONS & ELECTRICAL

Input Voltage : 120-277 Vac

Dimming : 0-10V external dimming down to 10% (with DMG option)

Lumens per Watt : 79 LPW at 80 CRI

DIMENSIONS



THALASSA ET6024

ORDERING GUIDE

Ordering code example: ET6024-C48-3-1060-80-W-DMG

FIXTURE FAMILY	POWER	CCT	UP LIGHT BEAM ANGLE	DOWN LIGHT BEAM ANGLE	CRI	FINISH	CONTROL
ET6024 ERALUX Thalassa ET6024 outdoor surface mounted sconce fixture	-C48 24 watts: 1896 lumens x 2 (up light & downlight)	-3 3000K CCT	-10 Up Light 10°	-10 Down Light 10°	-80 80 CRI	-B Black powder coat finish	-DMG 0-10V external dimming down to 10%
		-4 4000K CCT	-25 Up Light 25°	-25 Down Light 25°		-W White powder coat finish	
		-6 6000K CCT	-38 Up Light 38°	-38 Down Light 38°		-S Silver powder coat finish (RAL9006)	
		-45 Up Light 45°	-45 Down Light 45°				
		-60 Up Light 60°	-60 Down Light 60°				
		-3 3000K CCT	-08 Up Light 8°	-08 Down Light 8°		-B Black powder coat finish	
	-C80 40 watts: 3160 lumens x 2 (up light & downlight)	-4 4000K CCT	-18 Up Light 18°	-18 Down Light 18°	-W White powder coat finish		
		-5 5000K CCT	-36 Up Light 36°	-36 Down Light 36°	-S Silver powder coat finish (RAL9006)		
		-62 Up Light 62°	-62 Down Light 62°				
			-Z Bronze				



The Thalassa outdoor wall-mounted square LED fixture was created with a sleek design deliberately, so it could blend in with many different outdoor building styles. The Thalassa also has an impressive efficacy of 75 LPW providing performance as well as elegance in the install environment. Finally, this product is a complete aluminum die cast offering an unparalleled sense of finesse, fixture strength and quality.

OPERATIONS & ELECTRICAL

Input Voltage : 100-277 Vac

Dimming : 0-10V external dimming down (DMG option)

Lumens per Watt : ~75 LPW at 80 CRI

Beam angle: 15°, 20°, 30°, 60°

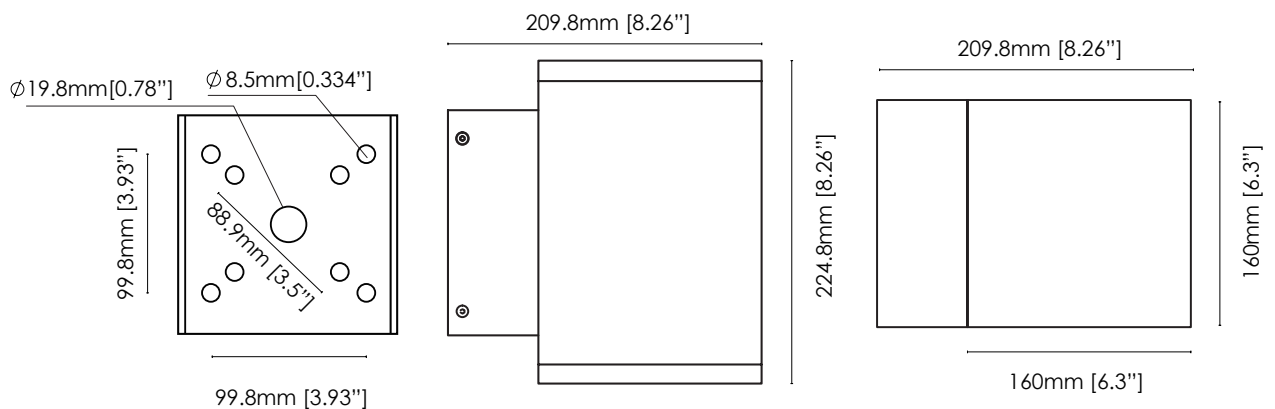
ORDERING GUIDE

Ordering code example: ET6120-C30-3-15-80-W-DMG

THALASSA ET6120

FIXTURE FAMILY	POWER	CCT	BEAM ANGLE	CRI	FINISH	CONTROLS
ET6120 ERALUX Thalassa ET6120 outdoor wall mounted square sconce fixture	-C30 30 watts: 2400 lumens	-3 3000K CCT	-15 15° beam angle	-80 80 CRI	-B Black powder coat finish	-DMG 0-10V external dimming down to 10%
		-4 4000K CCT	-20 20° beam angle		-W White powder coat finish	
		-5 5000K CCT	-30 30° beam angle		-S Silver (RAL9006) powder coat finish	
		-60 60° beam angle	-G Gray (RAL7012) powder coat finish			
					-Z Mineral bronze powder coat finish	

DIMENSIONS





The Thalassa outdoor surface mounted square LED fixture was created with a sleek design deliberately, so it could blend in with many different outdoor building styles. The Thalassa also has an impressive efficacy of 75 LPW providing performance as well as elegance in the install environment. Finally, this product is a complete aluminum die cast offering an unparalleled sense of finesse, fixture strength and quality.

OPERATIONS & ELECTRICAL

Input Voltage : 120-277 Vac

Dimming : 0-10V external dimming down to 10% (with SDMG option)

Lumens per Watt : ~75 LPW at 80 CRI

Beam angle: 15°, 20°, 30°, 60°, 15 & 60°

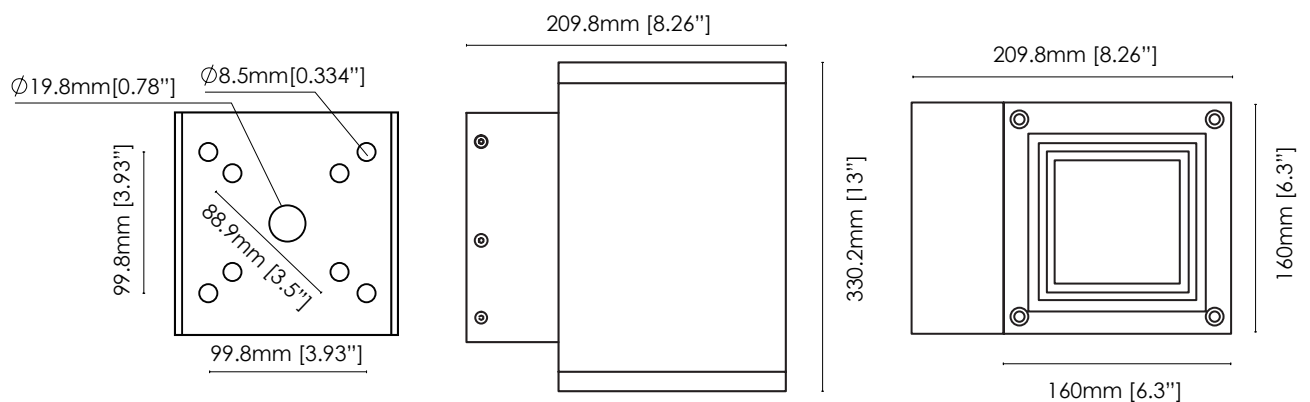
ORDERING GUIDE

Ordering code example: ET6123-C30X2-3-15-80-W-SDMG

THALASSA ET6123

FIXTURE FAMILY	POWER	CCT	BEAM ANGLE	CRI	FINISH	CONTROLS
ET6123 ERALUX Thalassa ET6123 outdoor surface mounted square sconce fixture	-C30X2 2x30 watts: 4800 lumens	-3 3000K CCT	-15 15° beam angle	-80 80 CRI	-B Black powder coat finish	-SDMG Up and down separate 0-10V external dimming to 10%
		-4 4000K CCT	-20 20° beam angle		-W White powder coat finish	
		-5 5000K CCT	-30 30° beam angle		-S Silver (RAL9006) powder coat finish	
		-1560 Up: 15° beam angle Down: 60° beam angle	-G Gray (RAL7012) powder coat finish			
					-Z Mineral bronze powder coat finish	

DIMENSIONS





The Thalassa outdoor surface mounted square LED fixture was created with a sleek design deliberately, so it could blend in with many different outdoor building styles. The Thalassa also has an impressive efficacy of 95 LPW providing performance as well as elegance in the install environment. Finally, this product is a complete aluminum die cast offering an unparalleled sense of finesse, fixture strength and quality.

OPERATIONS & ELECTRICAL

Input Voltage : 120-277 Vac

Dimming : 0-10V external dimming down to 10%

Lumens per Watt : ~95 LPW at 80 CRI

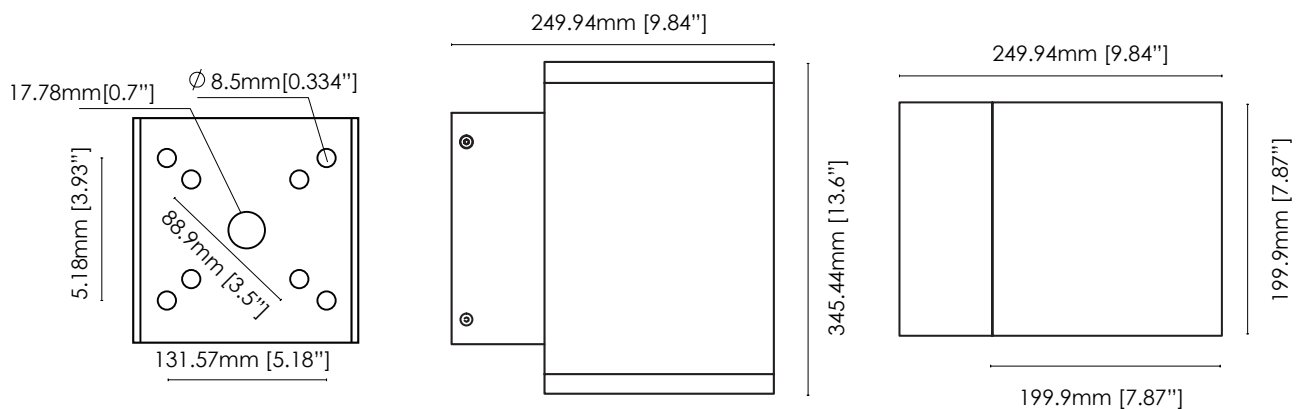
Beam angle : 8°, 18°, 36°, 62°

ORDERING GUIDE

Ordering code example: ET6150-C40-3-8-80-W-DMG

FIXTURE FAMILY	POWER	CCT	BEAM ANGLE	CRI	FINISH	CONTROLS
ET6150 ERALUX Thalassa ET6150 outdoor wall mounted square sconce fixture	-C40 40 watts: 3700 lumens	-3 3000K CCT	-8 8° beam angle		-B Black powdercoat finish	
			-18 18° beam angle		-W White powder coat finish	
			-36 36° beam angle	-80 80 CRI	-S Silver (RAL9006) powder coat finish	-DMG 0-10V external dimming
		-5 5000K CCT	-62 62° beam angle	-G Gray (RAL7012) powder coat finish	down to 10%	
				-Z Mineral bronze powder coat finish		

DIMENSIONS





The Thalassa outdoor surface-mounted square LED fixture was created with a sleek design deliberately, so it could blend in with many different outdoor building styles. The Thalassa also has an impressive efficacy of 95 LPW providing performance as well as elegance in the install environment. Finally, this product is a complete aluminum die cast offering an unparalleled sense of finesse, fixture strength and quality.

OPERATIONS & ELECTRICAL

Input Voltage : 120-277 Vac

Dimming : 0-10V external dimming down to 10% (with DMG option)

Lumens per Watt : ~95 LPW at 80 CRI

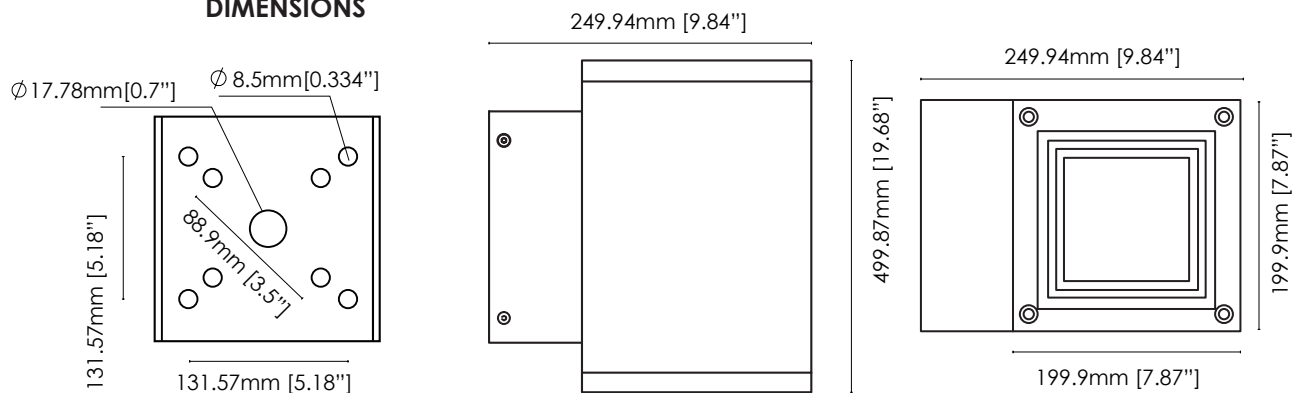
Beam angle: 8°, 18°, 36°, 62°

ORDERING GUIDE

Ordering code example: ET6161-C80-3-8-80-W-DMG

FIXTURE FAMILY	POWER	CCT	BEAM ANGLE	CRI	FINISH	CONTROLS
ET6161 ERALUX Thalassa ET6161 outdoor wall mounted square sconce fixture	-C80 80 watts: 7400 lumens	-3 3000K CCT	-8 8° beam angle		-B Black powder coat finish	
		-4 4000K CCT	-18 18° beam angle		-W White powder coat finish	-DMG 0-10V external dimming down to 10%
			-36 36° beam angle	-80 80 CRI	-S Silver (RAL9006) powder coat finish	
		-5 5000K CCT	-62 62° beam angle		-G Gray (RAL7012) powder coat finish	
					-Z Mineral bronze powder coat finish	

DIMENSIONS





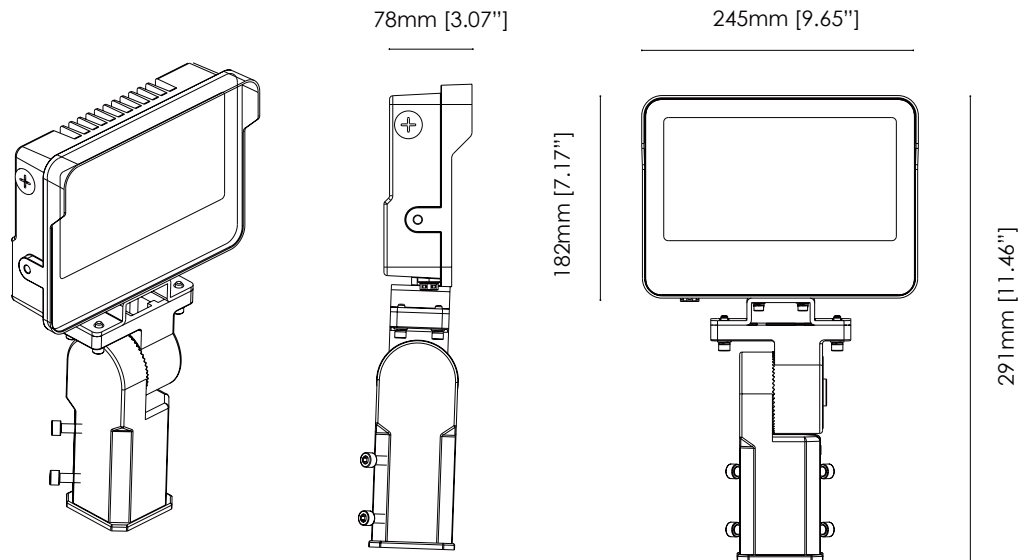
Introducing the Ida Series, with its sleek and distinguished high-quality look for our outdoor flood fixture. Made with robust die-casting aluminum and tempered glass optical lenses, being IP65 rated, the Ida series can withstand the harshest of outdoor elements. It also allows flexibility on the field with its CCT and power selectable options, perfect for lighting spaces such as gardens, balconies, public areas and other outdoor areas.

OPERATIONS & ELECTRICAL

Input Voltage :120-347 Vac
 Dimming : 0-10V dimming
 Lumens per Watt : ~140 LPW at 80 CRI and 4000K
 Distribution : 7H * 7V

DIMENSIONS

IDA SERIES



ORDERING GUIDE

Ordering code example: AE-OD-ID-35S-CA-8SC1-010-A-BZ

FIXTURE FAMILY	POWER	INPUT VOLTAGE	CRI	CCT	DIMMING	MOUNTING FINISH
AE-OD-ID ERALUX IDA Series outdoor flood light fixture	-35S 15/25/35W selectable	-CA 120V-347V input voltage	-8 Ra > 80	SC1 3000K/4000K/5000K CCT selectable	-010 0 – 10V dimming	-A Knuckle Mounted
	-80S 45/60/80W selectable					-B Trunnion Mounted



The GRETA Series outdoor luminaire is a parking garage fixture that enables customization on-site with the CCT and lumens switchable capability. Its robust and durable design allows it to withstand the outdoor elements wherever placed. Furthermore, the GRETA series comes standard in 120-347 Vac, ready for surface mount, and pole mount and even enables surface connection of EMTs.

OPERATIONS & ELECTRICAL

Input Voltage : 120-347 Vac
 Dimming : 0-10V Dimming
 Protection: LED fixture IP65 rated

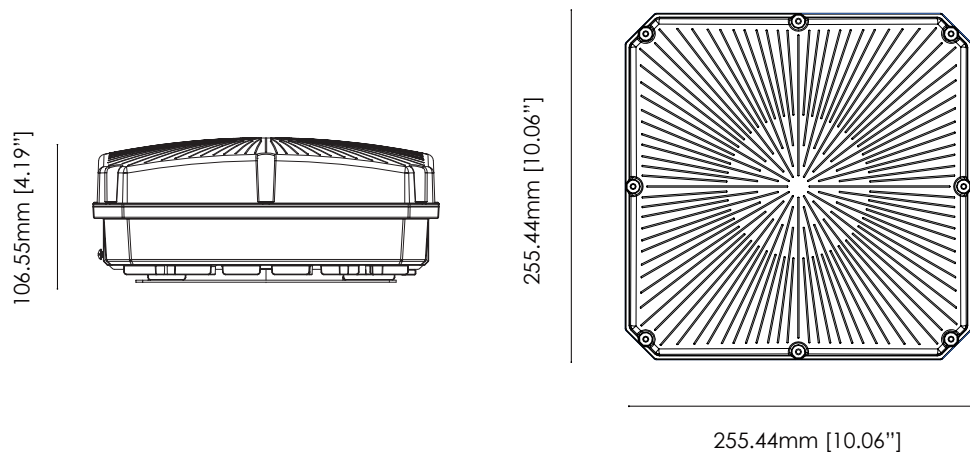
ORDERING GUIDE

Ordering code example: AE-OD-GR-70W-30K/40K/50K-G-TCP-CA

FIXTURE FAMILY	POWER	CCT	TUNABLE	VOLTAGE
AE-OD-GR ERALUX GRETA outdoor canopy light fixture	-70W Switchable 45W/60W/70W 5400lms/ 7200lms/8400lms	-30K/40K/50K Switchable 3000K/4000K/5000K CCT	-G-TCP Tunable CCT and Power	-CA 120-347V

GRETA

DIMENSIONS





The VERMONT Series outdoor luminaire is designed as a parking garage fixture, directly customizable in a variety of power and CCT options for your lighting application needs. The curved lens features a 140° shaped beam. Its robust and durable design allows it to withstand the outdoor elements wherever placed.

OPERATIONS & ELECTRICAL

Input Voltage : 120-277 Vac
 Dimming : 0-10V dimming
 Protection: LED fixture IP65 rated

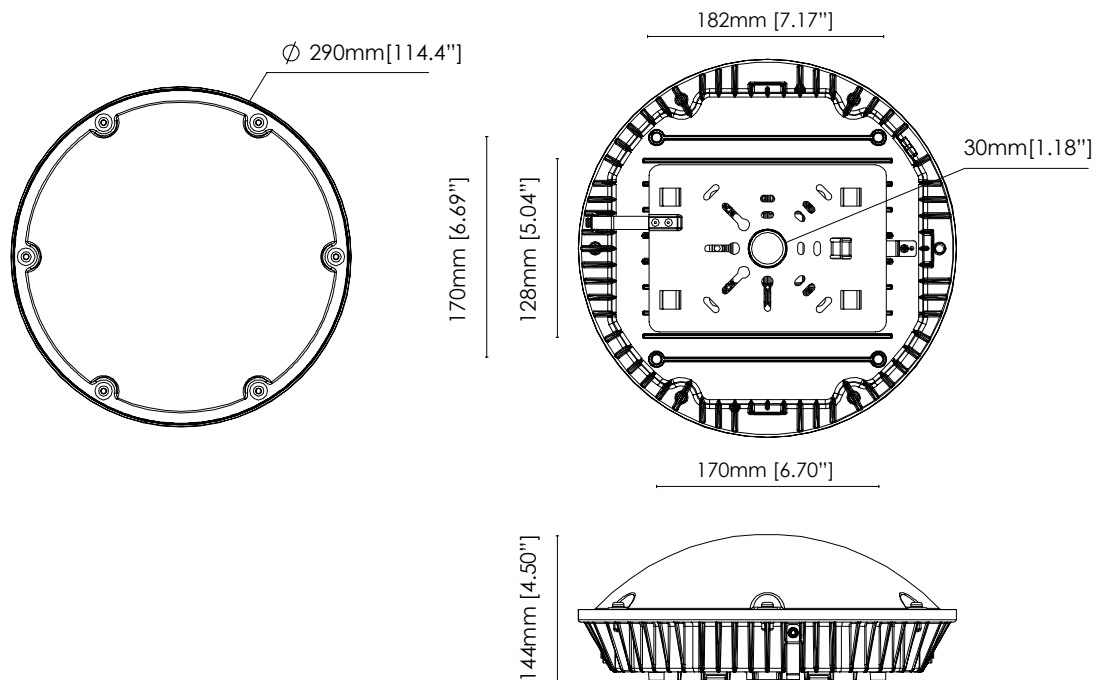
ORDERING GUIDE

Ordering code example: AE-OD-VT40W-40

FIXTURE FAMILY	POWER	CCT	SENSOR
AE-OD-VT ERALUX Vermont Series outdoor canopy light fixture	40W 40 Watts: 5180 lumens	-40 4000K CCT	-[BLANK] No sensor
	60W 60 Watts: 7750 lumens	-50 5000K CCT	-M Bi-level microwave sensor
	65W 65 Watts: 8100 lumens		

VERMONT

DIMENSIONS





The Zeus Series LED luminaire is designed to show off your stadium and athletic field lighting needs. It offers a superior efficacy of up to 130 LPW with multiple CCT and beam angle variations at both 120-277V and 277-480V. Its bracket mount, optional visor, and laser positioning tool will allow you to be able to focus the light to maximize your space.

OPERATIONS & ELECTRICAL

Input Voltage : 120-277 Vac, 277-480 Vac

Dimming : 1-10V dimming

Lumens per Watt : 130 LPW at > 70CRI

Beam angle: 12°, 30°, 55°

ORDERING GUIDE

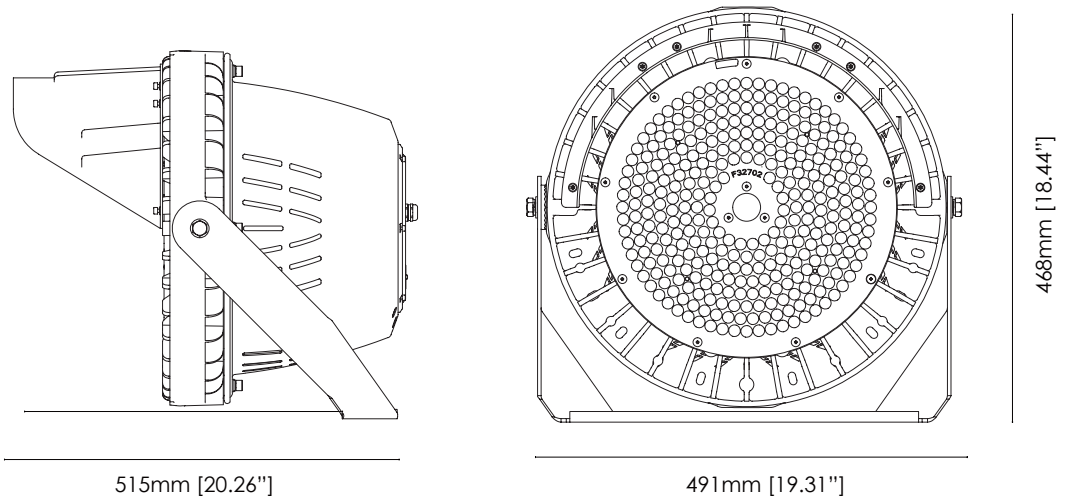
Ordering code example: AE-SP-ZS320W-010UV-4000K30

FIXTURE FAMILY	POWER	CONTROLS	INPUT VOLTAGE	CCT	BEAM ANGLE
----------------	-------	----------	---------------	-----	------------

ZEUS

AE-SP-ZS ERALUX ZEUS Series LED stadium light fixture	320W 320 watts: 41,600 lumens	-010 1-10V Dimming	UV 120-277V input voltage range	-4000K 4000K CCT	12 12° beam angle
	480W 480 watts: 62,000 lumens		HV 277-480V input voltage range	-5000K 5000K CCT	30 30° beam angle
	600W 600 watts: 78,000 lumens				55 55° beam angle

DIMENSIONS





The SPLINTER bollard is an elegant solution for your outdoor area lighting needs. Its robust and strong materials allow it to withstand the harshest of elements without a scratch. The SPLINTER features an innovative optical system providing illumination to your space while keeping the beam shielded from the eye. The unique "smiley face" design stands out in the environment.

OPERATIONS & ELECTRICAL

Input Voltage : 120-277 Vac
 Dimming : 0-10V Dimming
 Distribution : Type 5

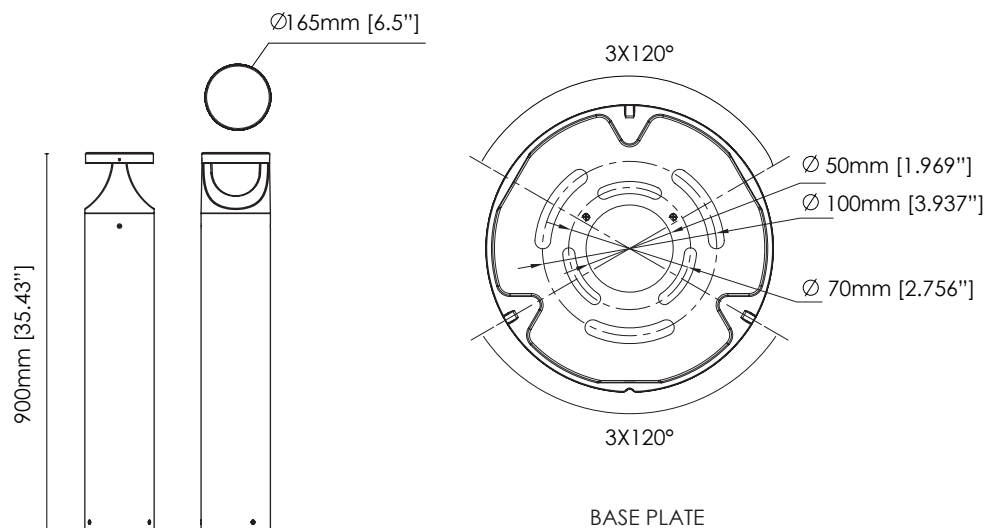
ORDERING GUIDE

Ordering code example: AE-OD-ST-24UV-830-35-BK

FIXTURE FAMILY	POWER	CCT	SIZE	HOUSING & FINISH
AE-OD-ST Outdoor products SPLINTER Bollard Fixture	-14UV 14 watts; 1,680 lumens 120-277V	-830 3000K CCT, 80 CRI	-35 35" height 6.5" diameter	-BK powder coat graphite black aluminum-cast housing
	-24UV 24 watts; 2,880 lumens 120-277V	-840 4000K CCT, 80 CRI		
		-850 5000K CCT, 80 CRI		

SPLINTER

DIMENSIONS





The RAPHAEL bollard is an elegant solution for your outdoor area lighting needs. Its robust and strong materials allow it to withstand the harshest of elements without a scratch. The Raphael features an innovative optical system providing illumination to your space while keeping the beam shielded from the eye.

OPERATIONS & ELECTRICAL

Input Voltage : 120-277 Vac
 Protection: IP65, thermally-insulated driver

ORDERING GUIDE

Ordering code example: AE-OD-RL23-C10-42-6-3-80-B-M

FIXTURE FAMILY	POWER & SIZE	CCT	CRI	HOUSING & FINISH
AE-OD-RL23 Outdoor products Raphael Bollard Fixture	-C10-32-6 120-277V 10 watts: 267 lumens 32" height; 6" diameter	-3 3000K CCT		-B-M Thermoset powder coat graphite black aluminum-cast housing with marine corrosion resistant finish
	-C20-42-8 120-277V 20 watts: 796 lumens 42" height; 8" diameter *1-10V Dimming for 20W option only	-4 4000K CCT	-80 80 CRI	-Z-M Thermoset powder coat mineral bronze aluminum-cast housing with marine corrosion resistant finish
AE-OD-RL24 Outdoor products Raphael Bollard Fixture	-C35-42-8 120-277V 35 watts: 1273 lumens 42" height; 8" diameter	-5 5000K CCT		-W-M ERALUX nebula white thermoset cast housing with marine corrosion resistant finish*
				-S-M Aluminum (RAL9006) thermoset cast housing with marine corrosion resistant finish*

RAPHAEL

DIMENSIONS

140/200/200mm [5.5"/7.87"/7.87"]





The Leonardo Bollard is an elegant solution for your outdoor area lighting needs. Its robust and strong materials allow it to withstand the harshest of elements without a scratch. The Leonardo features an innovative optical system providing illumination to your space while keeping the beam shielded from the eye.

OPERATIONS & ELECTRICAL

Input Voltage : 120-277 Vac
 Protection: IP65, thermally-insulated driver

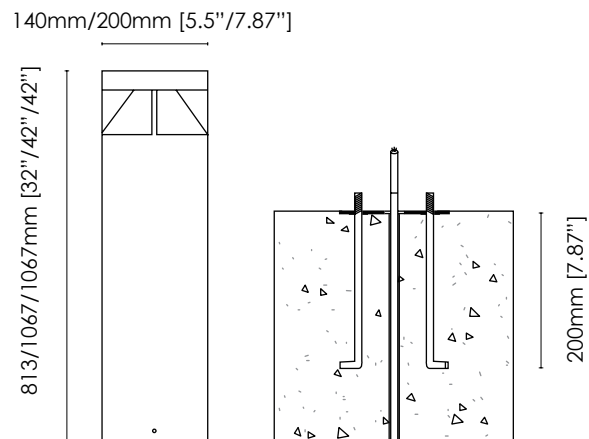
ORDERING GUIDE

Ordering code example: AE-OD-LD35-C5-32-6-3-80-B-M

FIXTURE FAMILY	POWER & SIZE	CCT	CRI	HOUSING & FINISH
AE-OD-LD35 Outdoor products Leonardo Bollard Fixture	-C5-32-6 120-277V 5 watts: 168 lumens 32" height 6" diameter	-3 3000K CCT		-B-M Thermoset powder coat graphite black aluminum-cast housing with marine corrosion resistant finish
		-4 4000K CCT	-80 80 CRI	-Z-M Thermoset powder coat mineral bronze aluminum-cast housing with marine corrosion resistant finish
AE-OD-LD36 Outdoor products Leonardo Bollard Fixture	-C15-42-8 120-277V 15 watts: 402 lumens 42" height 8" diameter *1-10V Dimming for 20W option only	-5 5000K CCT		-W-M ERALUX nebula white thermoset cast housing with marine corrosion resistant finish*
				-S-M Aluminum (RAL9006) thermoset cast housing with marine corrosion resistant finish*

*Contact for leadtimes and availability

DIMENSIONS





The MICHELANGELO bollard is an elegant solution for your outdoor area lighting needs. Its robust and strong materials allow it to withstand the harshest of elements without a scratch. Michelangelo features an innovative optical system providing illumination to your space while keeping the beam shielded from the eye.

OPERATIONS & ELECTRICAL

Input Voltage : 120-277 Vac
 Protection: IP65, thermally-insulated driver

ORDERING GUIDE

Ordering code example: AE-OD-ML27-C10-33-6-3-80-B-M

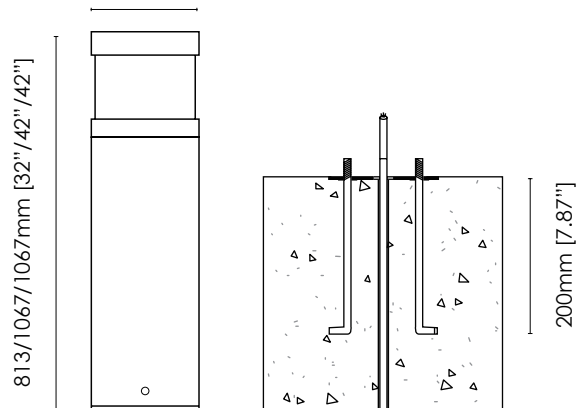
MICHELANGELO

FIXTURE FAMILY	POWER & SIZE	CCT	CRI	HOUSING & FINISH
AE-OD-ML27 Outdoor products Michelangelo Bollard Fixture	-C10-33-6 120-277V 10 watts: 400 lumens 33" height; 6" diameter	-3 3000K CCT		-B-M Thermoset powder coat graphite black aluminum-cast housing with marine corrosion resistant finish
	-C20-44-8 120-277V 20 watts: 1225 lumens 44" height; 8" diameter	-4 4000K CCT	-80 80 CRI	-Z-M Thermoset powder coat mineral bronze aluminum-cast housing with marine corrosion resistant finish
AE-OD-ML28 Outdoor products Michelangelo Bollard Fixture	-C35-44-8 120-277V 32 watts: 1960 lumens 44" height; 8" diameter	-5 5000K CCT		-W-M ERALUX nebula white thermoset cast housing with marine corrosion resistant finish*
				-S-M Aluminum (RAL9006) thermoset cast housing with marine corrosion resistant finish*

*Contact for leadtimes and availability

DIMENSIONS

140/200/200mm [5.5"/7.87"/7.87"]





The DONATELLO bollard is an elegant solution for your outdoor area lighting needs. Its robust and strong materials allow it to withstand the harshest of elements without a scratch. The Donatello features an innovative optical system providing illumination to your space while keeping the beam shielded from the eye.

OPERATIONS & ELECTRICAL

Input Voltage : 120-277 Vac
Beam Angle: 120°

ORDERING GUIDE

Ordering code example: AE-OD-DN25-C10-32-6-3-80-B-M

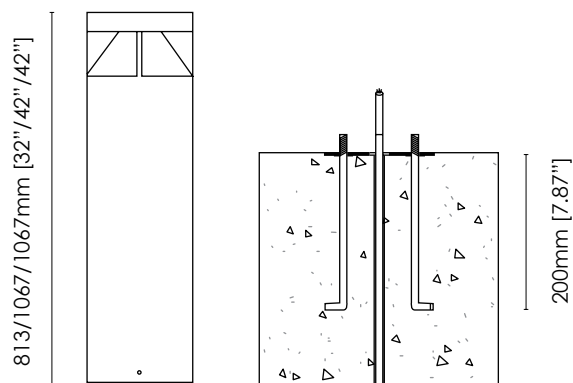
DONATELLO

FIXTURE FAMILY	POWER & SIZE	CCT	CRI	HOUSING & FINISH
AE-OD-DN25 (400 lumens) Outdoor products Donatello Bollard Fixture	-C10-32-6 120-277V 10 watts: 400 lumens 32" height; 6" diameter	-3 3000K CCT	-80 80 CRI	-B-M Thermoset powder coat graphite black aluminum-cast housing with marine corrosion resistant finish
		-4 4000K CCT		-Z-M Thermoset powder coat mineral bronze aluminum-cast housing with marine corrosion resistant finish
AE-OD-DN26 Outdoor products Donatello Bollard Fixture	-C20-42-8 120-277V 20 watts: 1000 lumens 42" height; 8" diameter	-5 5000K CCT	-80 80 CRI	-W-M ERALUX nebula white thermoset cast housing with marine corrosion resistant finish*
		-C35-42-8 120-277V 35 watts: 1750 lumens 42" height; 8" diameter		-S-M Aluminum (RAL9006) thermoset cast housing with marine corrosion resistant finish*

*Contact for leadtimes and availability

DIMENSIONS

140/200/200mm [5.5"/7.87"/7.87"]



MFW1G3A1

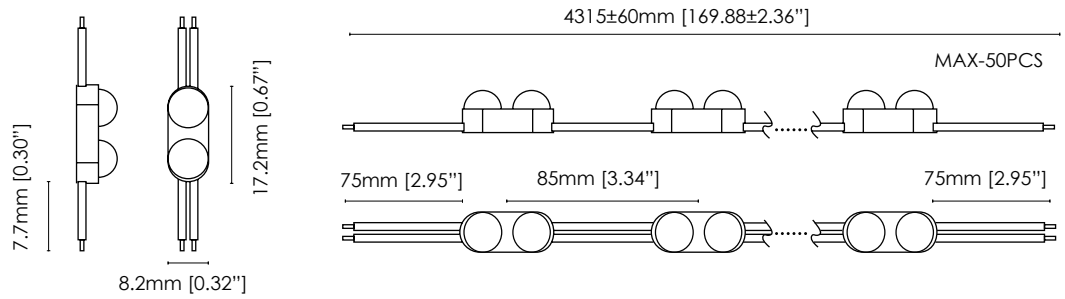


IP65
@-25 to 60°C

Ordering code example: MFW1G3A1-3

FIXTURE FAMILY	CCT
MFW1G3A1 ERALUX compact signage LED 12V DC	-3 3000K CCT
	-4 4000K CCT
	-5 5000K CCT
	-6 6000K CCT
	164 LPW at 80CRI @4000K
	Power consumption : 0.3W Beam angle : 150°

DIMENSIONS



MFW110D2

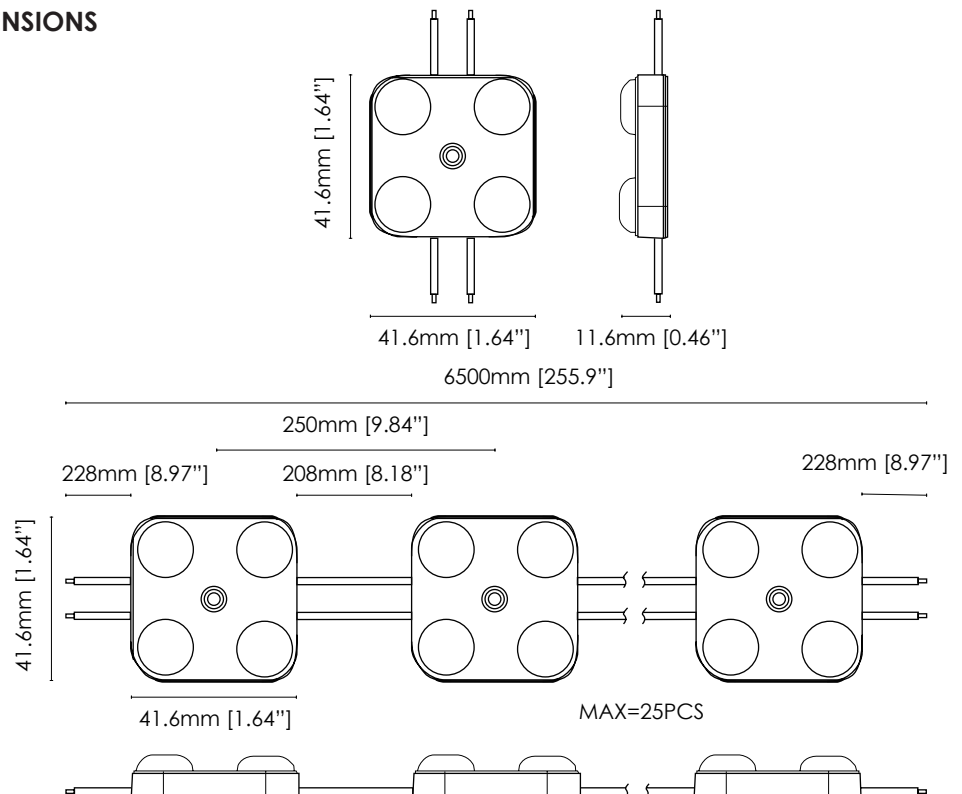


IP68
@-25 to 60°C

Ordering code example: MFW110D2-3

FIXTURE FAMILY	CCT
MFW110D2 ERALUX compact signage LED 24V DC	-3 3000K CCT
	-4 4000K CCT
	-5 5000K CCT
	-6 6000K CCT
	170 LPW at 80CRI @4000K
	Power consumption : 1.2W Beam angle : 170°

DIMENSIONS





IP68
@-25 to 60°C

Ordering code example: MFWE7D1-3

MFWE7D1

FIXTURE FAMILY

CCT

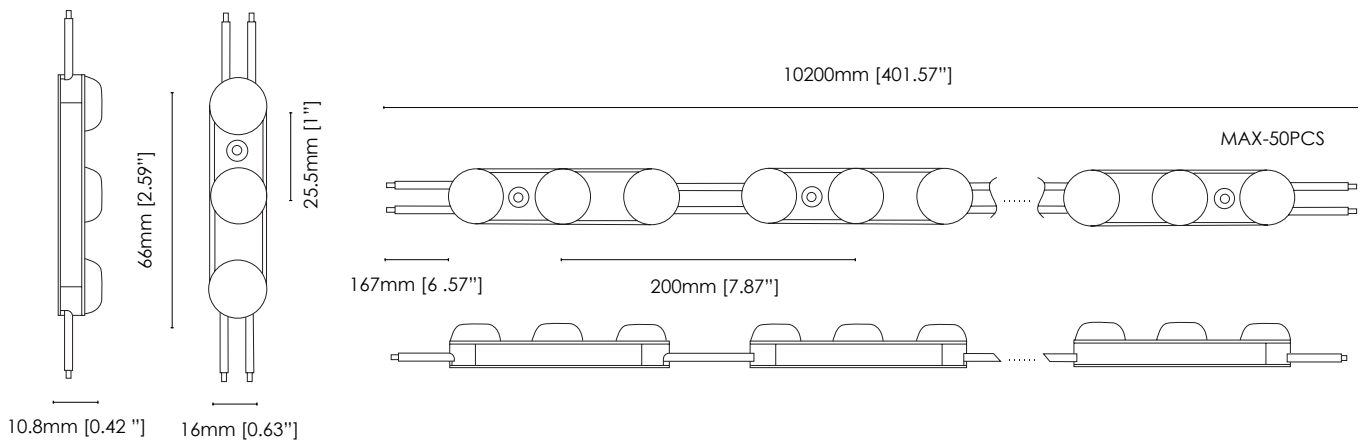
MFWE7D1

ERALUX compact
signage LED 12V DC

100 LPW @6500K
Power consumption : 1.2 W
Beam angle : 170°

-3
3000K CCT
-4
4000K CCT
-5
5000K CCT
-6
6500K CCT

DIMENSIONS





The Sapphire is an LED accent light with multiple beam patterns and retractable shrouds, 360° rotatable and 180° tiltable, ideally suited for accent lighting. The miniature size makes its appearance unobtrusive. NPT 0.5" stem with choices of mounting accessories allow installation on hard surfaces. It is TRIAC dimming compatible.

OPERATIONS & ELECTRICAL

Input Voltage : 100-277 Vac

Dimming : TRIAC dimming

Lumens per Watt : 79 LPW at 80 CRI

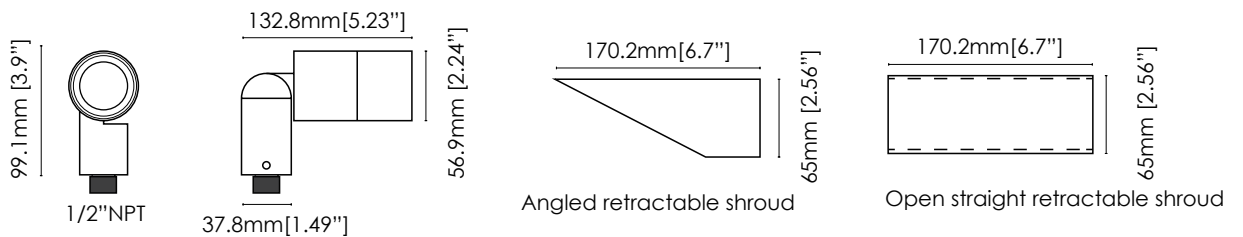
Beam angle: 15°, 25°, 38°, 45°, 60°

ORDERING GUIDE

Ordering code example: AE-OD-ET7016-C4-3-15-80-NS-B-MTB

FIXTURE FAMILY	POWER	CCT	BEAM ANGLE	CRI	ACCESSORIES	FINISH	MOUNTING
AE-OD-ET7016 ERALUX Sapphire ET7016 outdoor accent light fixture	-C4 4 watts: 150 lumens	-3 3000K CCT	-15 15° beam angle		-NS No shroud	-B Black powder coat finish	-BLANK
			-25 25° beam angle	-80 80 CRI	-AS Angled shroud	-W White powder coat finish	-MTA Bracket A
					-OS Straight shroud	-S Silver (RAL9006) powder coat finish	-MTB Bracket B
		-C8 8 watts: 300 lumens	-4 4000K CCT	-30 30° beam angle			-MTC Bracket C
						-MTJ Junction Box	
						-MTJS Junction Box with Stake	

DIMENSIONS





The SAPPHIRE X is an LED accent light with multiple beam patterns and retractable shrouds, 360° rotatable and 180° tiltable, ideally suited for accent lighting. This fixture comes standard with a thermoset powder coat finish that provides superior resistance to corrosion and weathering. It is also enhanced with high density tempered glass. It is available with a NPT 0.5" stem with choices of mounting accessories allow installation on hard surfaces. It is TRIAC dimming compatible.

OPERATIONS & ELECTRICAL

Input Voltage : 120-277 Vac
 Dimming : TRIAC dimming
 Lumens per Watt : 57-66 LPW at 80 CRI
 Beam angle: 20, 40, 60, H40xV25°

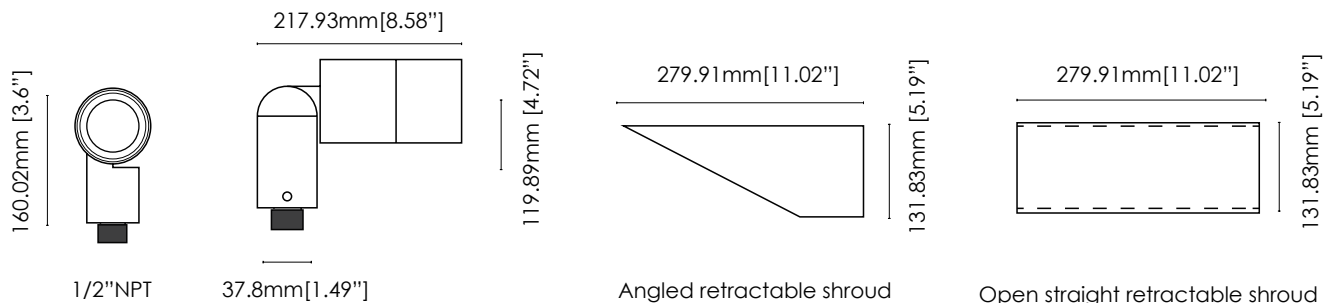
ORDERING GUIDE

Ordering code example: AE-OD-ET7069-C20-3-20-80-NS-B-MTC

FIXTURE FAMILY	POWER	CCT	BEAM ANGLE	CRI	ACCESSORIES	FINISH	MOUNTING
AE-OD-ET7069 ERALUX SAPPHIRE X ET7069 outdoor accent light fixture	-C20 20 watts:	-3 3000K	-20 20° beam angle		-NS No shroud	-B Black powder coat finish	-[BLANK]
	1272 lumens	CCT	-40 40° beam angle		-AS Angled shroud	-W White powder coat finish	-MTC Bracket C
	-C30 30 watts"		-60 60° beam angle	-80 80 CRI		-S Silver (RAL9006)	-MTJ Junction Box
	1999 lumens				-OS Straight shroud	powder coat finish	-MTJS Junction Box with Stake
	-C40 40 watts: 2283 lumens	-4 4000K CCT	-4025 H40°xV25° beam angle				

SAPPHIRE ET7069

DIMENSIONS



MODERN DESIGN AND TECHNOLOGY

Available in a variety of shapes and sizes, track lights are a perfect way to distinguish any architectural elements or even bring light to a darker segment of the room.

Track lights are designed to offer flexibility in selecting key features and are made to create focal points with a retail shelf or an art piece. A perfect combination with current track systems, the track heads can be repositioned and relocated throughout the entire track. Using modern LED technology, with so many variations offered, track lights have the potential to fill whatever lighting needs you require. Available in a variety of shapes and sizes and are a perfect way to distinguish any architectural elements or even bring light to a darker segment of the room.





T1



T2

Track 1 (T1) is compatible with Juno single circuit adapters and Track 2 (T2) is compatible with Juno two circuit adapters. The track/power distribution system is suitable for retail, commercial and residential use. Ships with one T0009 and (end cap) installed. Extruded aluminum "I" beam. Thermoplastic insulator. Two #12 AWG solid copper conductors.

OPERATIONS & ELECTRICAL

120V 50/60Hz 20A max
cULus Listed

ORDERING GUIDE

Add SUFFIX -XXX to the part number for color indication Ordering code example: T1-2-BK

	PART NO.	LENGTH	FINISH
	T1-2/T2-2	2' [512mm, 20.16"]	
T1	T1-4/T2-4	4' [1122mm, 44.17"]	BK- black
T2	T1-6/T2-6	6' [1732mm, 68.19"]	WHT- white
	T1-8/T2-8	8' [2341mm, 92.17"]	SV- Sliver

TRACK SYSTEM
T1
T2

T1 Connectors



Mini I Connector
T10001



T Connector
T10002



L Connector
T10003



X Connector
T10004



Floating Canopy
T10005



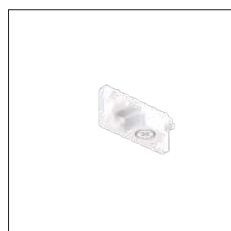
Conduit End Feed
T10006



Flexible Connector
T10007



rod fit Kit with cover
T10008



End Cap
T10009



Pendant Luminaire Adapter, chain
T10010



Pendant Luminaire Adapter, cord
T10011

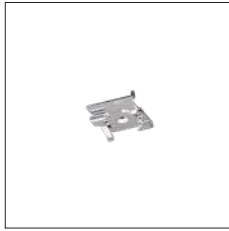


T-Bar Connector
T10012

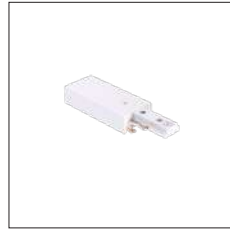
T1 Connectors



T-Bar End Feed
T10013



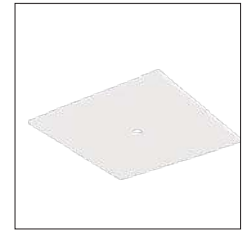
Mounting Clip
T10014



Top Access End Feed
T10015



Line Voltage
Mono-Point Adapter
T10016



Cover Plate
T10020



Single Circuit End
Feed
T10021



Single Circuit
In-Line Feed
T10023



Suspension canopy
T10027



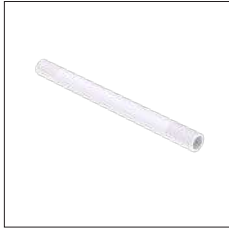
48 inch STEM
TS48-WHT, TS48-BLK



36 inch STEM
TS36-WHT, TS36-BLK



24 inch STEM
TS24-WHT, TS24-BLK



12 inch STEM
TS12-WHT, TS12-BLK

T2 Connectors



Mini I Connector
T20001



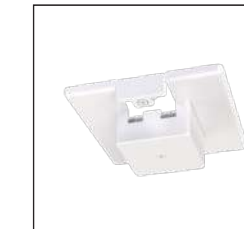
T Connector
T20002
T20002R (Reverse)



L Connector
T20003



X Connector
T20004



Floating Canopy
T20005



Conduit End Feed
T20006
T20006R(Reverse)



Conduit End Feed
T20007



END FEED KIT +
COVER T20008
T20008R(Reverse)



End Cap
T20009



T-Bar
Connector
T20012



T-Bar End Feed
T20013



Top Access End Feed
T20015
T20015R(Reverse)



Two Circuit End
Feed
T20021



Two Circuit End
Feed + 1' Track
T20022



Two Circuit End
Feed + 1' Track
T20023



Two Circuit
In-Line Feed + 1' Track
T20024



The PIVOT series is a track fixture from ERALUX designed with a mission for cost-effectiveness. Beautifully designed in aluminum die-cast and plastic housing, the PIVOT series redefines elegance and performance at an affordable budget. This product enhances your space and is compatible with all major track systems.

OPERATIONS & ELECTRICAL

Input Voltage : 120 Vac
 Dimming : N/A
 Lumens per Watt : 70-77 LPW at 90 CRI

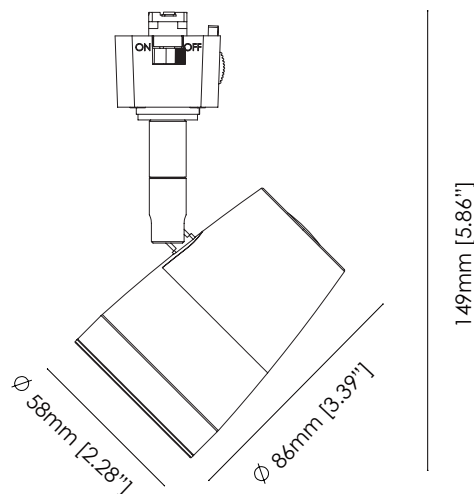
ORDERING GUIDE

Ordering code example: AE-TL-PV1112FLP30J1BK

FIXTURE FAMILY	LUMEN	VOLTAGE	DISTRIBUTION	CRI	CCT	ADAPTER	FINISH
AE-TL-PV ERALUX Pivot Series track light=	11	120V	FL Flood light 20° 11 watts: 850 lumens at 90CRI 3000K CBCP: 3670 @ 90 CRI	P Premium 90 CRI	30 3000K CCT	J1 Juno mounting system	BK Black powder coat finish
	12	Up to 850 lumens	WF Wide Flood light 36° 11 watts: 850 lumens at 90CRI 3000K CBCP: 1650 @ 90 CRI		40 4000K CCT	G1 Global mounting system	WH White powder coat finish
						H1 Halo mounting system	SV Silver powder coat finish
						L1 Lightolier mounting system	

PIVOT

DIMENSIONS





The KEPLER fixture series was explicitly designed as a sleek alternative to the traditional track light. It distinguishes itself with its slim and compact look, variety of optical options, and a series of accessories to adapt to every possible scenario. This product comes standard at 90 CRI. The Kepler is an easy addition to your next project, available in black, white and silver finishes.

OPERATIONS & ELECTRICAL

Input Voltage : 120 Vac

Dimming : Triac dimming

Lumens per Watt :69-80 LPW at 90 CRI (Kepler) & 78-83 LPW at 90CRI (Kepler Plus)

ORDERING GUIDE

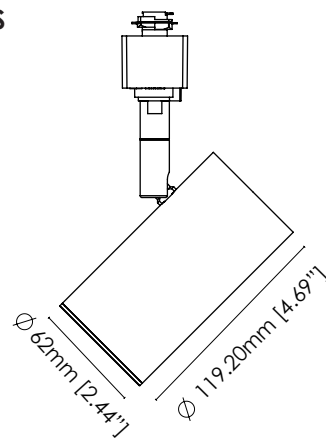
Ordering code example: AE-TL-KP-12FLP30J1BK

KEPLER

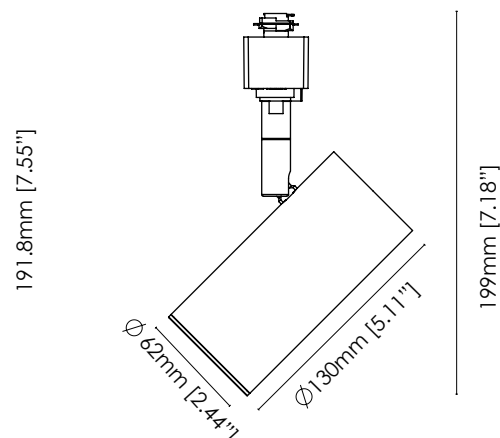
KEPLER PLUS

FIXTURE FAMILY	DISTRIBUTION	CRI	CCT	ADAPTER	FINISH
AE-TL-KP-12 ERALUX KEPLER Series track light 120V	FL Flood light 25° 10 watts: 750 lumens at 90CRI 3000K CBCP: 2780 @ 90 CRI	P Premium 90 CRI	27 2700K CCT	J1 Juno mounting system	BK Black powder coat finish
	WF Wide Flood light 35° 10 watts: 750 lumens at 90CRI 3000K CBCP: 1590 @ 90 CRI				
AE-TL-KPP-12 ERALUX KEPLER PLUS Series track light 120V	VF Very Wide Flood light 55° 10 watts: 750 lumens at 90CRI 3000K CBCP: 840 @ 90 CRI	P Premium 90 CRI	30 3000K CCT	H1 Halo mounting system	WH White powder coat finish
	NF Narrow Flood light 25° 13.5 watts: 1,053 lumens at 90CRI 3000K CBC: 5080 @ 90 CRI				
	FL Flood light 35° 13.5 watts: 1,053 lumens at 90CRI 3000K CBCP: 2620 @ 90 CRI				
	WF Wide Flood light 55° 13.5 watts: 1,053 lumens at 90CRI 3000K CBCP: 1350 @ 90 CRI				
			35 3500K CCT	L1 Lightlier mounting system	SV Silver powder coat finish
			40 4000K CCT	G1 Global mounting system	

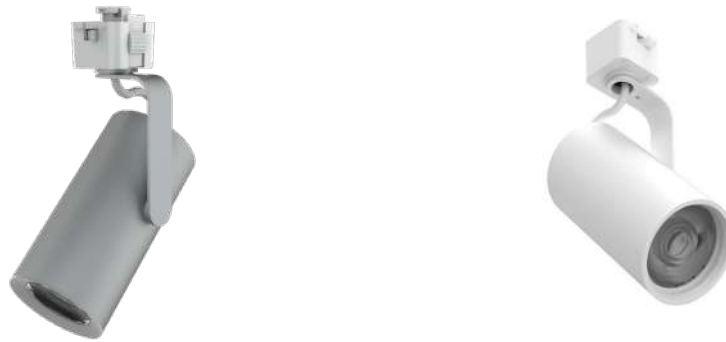
DIMENSIONS



KEPLER



KEPLER PLUS



The ROSETTA series is an elegant track fixture that features a sleek heatsink and an integrated driver. This track light delivers up to 1050 lumens despite its size and no apparent heatsinking to provide a smooth design. It is sought after for implementations in fashion stores to enhance product looks with its premium colour point. This product comes standard at 90 CRI.

OPERATIONS & ELECTRICAL

Input Voltage: 120 Vac
 Dimming: Triac dimming
 Lumens per Watt: 72-85 LPW at 90 CRI
 Distribution: Narrow flood, Flood, Wide flood

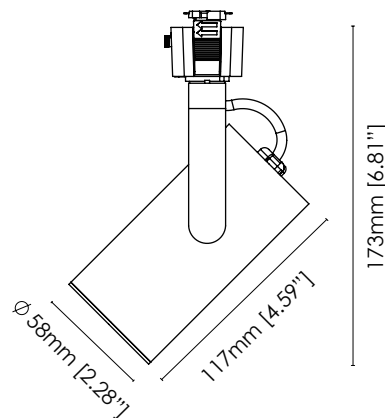
ORDERING GUIDE

Ordering code example: AE-TL-RS0912WFP30J1BK

FIXTURE FAMILY	LUMEN	VOLTAGE	DISTRIBUTION	CRI	CCT	ADAPTER	FINISH
AE-TL-RS ERALUX Rosetta Series track light	09 9 watts: 690 lumens	12 120V	NF Narrow Flood light	P Premium 90 CRI	27 2700K CCT	J1 Juno mounting system	BK Black powder coat finish
	11 14 watts: 1050 lumens		FL Flood light		30 3000K CCT	G1 Global mounting system	
			WF Wide Flood light		35 3500K CCT	H1 Halo mounting system	WH White powder coat finish
					40 4000K CCT	L1 Lightolier mounting system	SV Silver powder coat finish

ROSETTA

DIMENSIONS





The NuSTAR series features a semi-exposed heatsink to maximize energy savings and an integrated driver enclosure. This track fixture comes in a two-lumen package with its corresponding geometry. It comes standard at 90 CRI but also caters to lighting experts with a HIGH-GAI (Gamut Area Index) option for an enhanced visual effect on products.

OPERATIONS & ELECTRICAL

Input Voltage: 120 Vac

Dimming: Triac dimming

Lumens per Watt: 77-92 LPW at 90CRI

Distribution: Narrow flood, Flood, Wide flood, Very Wide Flood

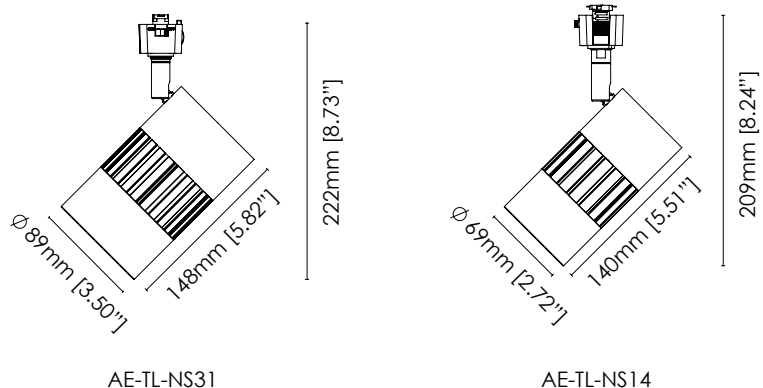
ORDERING GUIDE

Ordering code example: AE-TL-NS1412NFP30J1BK

FIXTURE FAMILY	LUMEN	VOLTAGE	DISTRIBUTION	CRI	CCT	ADAPTER	FINISH
AE-TL-NS ERALUX NuSTAR Series track light	14 13.5 watts: 1148 lumens at 90CRI 3000K	12 120V	NF Narrow Flood light distribution	P Premium 90 CRI	27 2700K CCT	J1 Juno mounting system	BK Black powder coat finish WH White powder coat finish SV Silver powder coat finish
			FL Flood light distribution				
	WF Wide Flood light distribution	40 4000K CCT	H1 Halo mounting system				
	VF Very wide flood distribution			L1 Lightolier mounting system			

*Available only at 3000K & 3500K

DIMENSIONS





The Maven track light is designed for versatility in any environment while appearing simplistic and timeless. Available in various CCTs, and adapter options; MAVEN can mount to pre-existing tracks or be paired with other ERALUX accessories to build a new track system. MAVEN also provides an even distribution at various beam angles. The LED head is adjustable for a 355° rotation and can bend up to 90° for a wide range of motion.

OPERATIONS & ELECTRICAL

Input Voltage : 120 Vac

Dimming : N/A

Lumens per Watt : 67-78 LPW at 90 CRI

Distribution: Narrow Flood, Flood, Wide Flood

MAVEN

MAVEN CANOPY

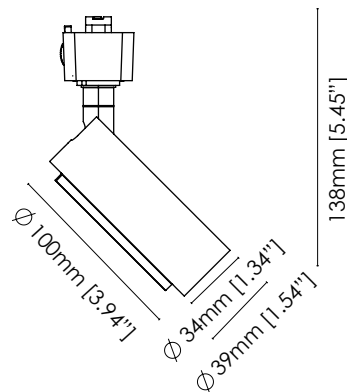
ORDERING GUIDE

Ordering code example: AE-TL-MV-12-FLP30J1BK

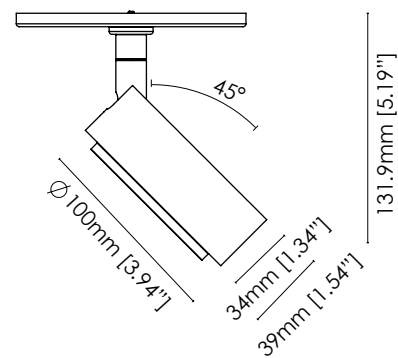
FIXTURE FAMILY	VOLTAGE	DISTRIBUTION	CRI	CCT	ADAPTER	FINISH
AE-TL-MV ERALUX MAVEN Series track light	12 120V	-NF Narrow Flood 25° 10.5 watts: 767 lumens at 90CRI 3000K CBCP: 2750 @ 90 CRI	P Premium 90 CRI	30 3000K CCT	J1 Juno mounting system	BK Black powder coat finish
		-FL Flood light 40° 10.5 watts: 767 lumens at 90CRI 3000K CBCP: 1700 @ 90 CRI			G1 Global mounting system	
		-WF Wide Flood light 65° 10.5 watts: 767 lumens at 90CRI 3000K CBCP: 620 @ 90 CRI			H1 Halo mounting system	
AE-TL-MVC ERALUX Maven Surface mount canopy light				40 4000K CCT	SV Silver powder coat finish	
					L1 Lightolier mounting system	

DIMENSIONS

*Canopy does not have an ADAPTER



MAVEN



MAVEN CANOPY



The Maven Elite is the most advanced among the series, with the driver separated from the luminaire. Maven Elite is a powerful choice and a perfect combination with the other Maven series' tracklights. Available in various CCT, and adapter options, Maven Elite can mount to pre-existing tracks or be paired with other ERALUX accessories to build a new track system. MAVEN provides an even distribution at various beam angles. The LED head rotates for a flexible lock wherever the beam is required.

OPERATIONS & ELECTRICAL

Input Voltage : 120 Vac

Dimming : Triac Dimming

Lumens per Watt : 92 at 3000K & 99 at 3500K & 4000K

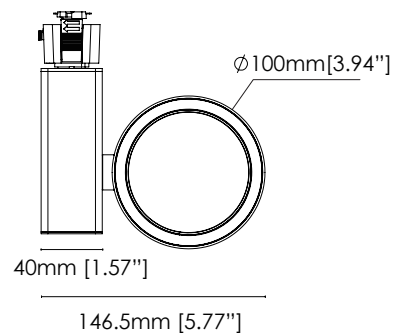
ORDERING GUIDE

Ordering code example: AE-TL-MVE-12SPP30J1BK

MAVEN ELITE

FIXTURE FAMILY	VOLTAGE	DISTRIBUTION	CRI	CCT	ADAPTER	FINISH
AE-TL-MVE ERALUX MAVEN ELITE track light	12 120 V	-SP Spotlight 10° CBCP: 15000 @ 90 CRI	P Premium 90 CRI	30 3000K CCT 14 watts: 1,288 lumens	J1 Juno mounting system	BK Black powder coat finish WH White powder coat finish SV Silver powder coat finish
		-NF Narrow flood light 20° CBCP: 7650 @ 90 CRI			G1 Global mounting system	
		-FL Flood light 35° CBCP: 3420 @ 90 CRI			H1 Halo mounting system	
		-VF Wide flood light 60° CBCP: 1290 @ 90 CRI			L1 Lightolier mounting system	

DIMENSIONS



ELITE



The CHANDRA series track lighting fixture is specifically designed for the retail environment. It distinguishes itself with its sleek look, variety of optical options, and a series of accessories to adapt to every possible scenario. The installation of accessories on this product is simply a breeze. This enables fast deployment of fixtures around stores for reconfigurations of products. This product comes at standard 90 CRI, but also caters for lighting experts with a high-GAI (Gamut Area Index) option for an enhanced visual effect on products.

OPERATIONS & ELECTRICAL

Input Voltage : 120 Vac

Dimming : Triac dimming (Chandra) & N/a (Chandra Basic)

Lumens per Watt : 86 LPW at 90 CRI (Chandra) & 100 LPW at 80 CRI (Chandra Basic)

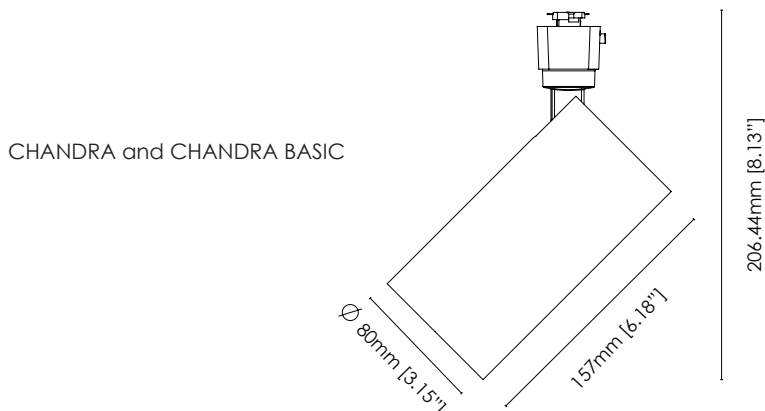
ORDERING GUIDE

ORDER CODE EXAMPLE: AE-TL-CD12FLN30J1BK

FIXTURE FAMILY	VOLTAGE	DISTRIBUTION	CRI	CCT	ADAPTER	FINISH
CHANDRA AE-TL-CD ERALUX CHANDRA Series track light		20 Watts: 1720 lumens @90 CRI 3000K NF Narrow Flood 13° CBCP: 15783 @ 90 CRI				BK Black powder coat finish
		FL Flood 25°light CBCP: 7333 @ 90 CRI	P Premium 90 CRI	27 2700K CCT	J1 Juno mounting system	WH White powder coat finish
		WF Wide Flood 35°light 20 watts: 1,720 lumens @90CRI 3000K	S* Superior HIGH GAI	30 3000K CCT	G1 Global mounting system	SV Silver powder coat
		20 watts: 2,000 lumens at 80 CRI FL Flood light 25° WF Wide Flood light 35°		35 3500K CCT	H1 Halo mounting system	BK Black powder coat finish
CHANDRA BASIC AE-TL-CD12 ERALUX CHANDRA BASIC track light	12 120V		N 80 CRI	40 4000K CCT	L1 Lightolier mount- ing system	WH White powder coat finish

DIMENSIONS

** Available only at 3000K & 3500K



CHANDRA and CHANDRA BASIC



CHANDRA MINI comes available in a variety of beam patterns and CCT options. With a 90CRI for all its CCT, the CHANDRA Mini will enhance your retail environment to another level.

The CHANDRA MAX track lighting fixture distinguishes itself with its sleek look, variety of optical options, and a series of accessories to adapt to every possible scenario. The installation of accessories on this product is simply a breeze. This enables fast deployment of fixtures around stores for reconfigurations of products.

OPERATIONS & ELECTRICAL

Input Voltage : 120 - 277 Vac

Dimming : Triac dimming

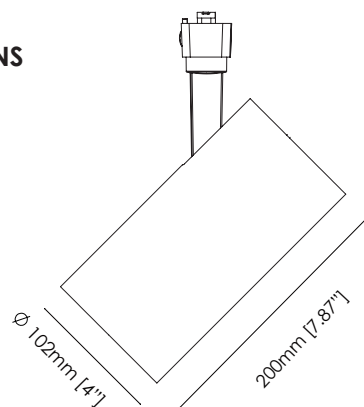
Lumens per Watt : 79-91 LPW at 90 CRI (MINI) & 86 LPW at 90 CRI (MAX)

ORDER CODE EXAMPLE: AE-TL-CDX-12-XXWNFP30J1BK

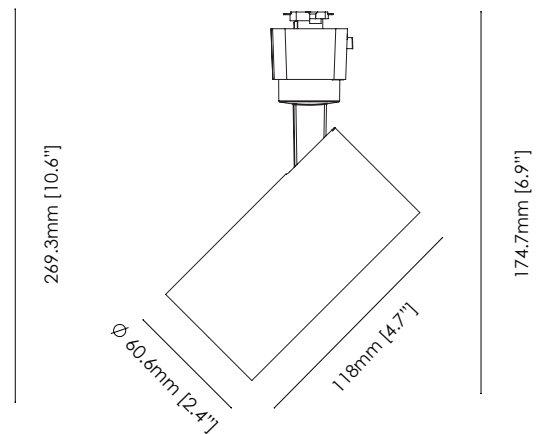
ORDERING GUIDE

	FIXTURE FAMILY	WATTAGE	DISTRIBUTION	CRI	CCT	ADAPTER	FINISH			
CHANDRA MINI	AE-TL-CDM-12 ERALUX CHANDRA MINI track light 120V	L 9 watts: 765 lumens at 90CRI 3000K	NF Narrow Flood 25° CBCP: 3300 @ 90 CRI 4800 @ 90 CRI	P Premium 90 CRI	27 2700K CCT	J1 Juno mounting system	BK Black powder coat finish			
			FL Flood light 30° CBCP: 2200 @ 90 CRI 3160 @ 90 CRI							
			H 13.4 watts: 1,059 lumens at 90CRI 3000K					30 3000K CCT	G1 Global mounting system	WH White powder coat finish
			WF Wide Flood light 60° CBCP: 860 @ 90 CRI 1190 @ 90 CRI							
CHANDRA MAX	AE-TL-CDX-12 -XXW ERALUX CHANDRA MAX track light 120V-277V	Wattage selectable at 90CRI 3000K: 19 watts: 1,634 lumens 27 watts: 2,322 lumens 41 watts: 3740 lumens	NF 20° Narrow Flood light CBCP: 17000 @90 CRI	35 3500K CCT	40 4000K CCT	H1 Halo mounting system	SV Silver powder coat finish			
			FL 25° Flood light CBCP: 12850 @90 CRI							
			WF 40° Wide Flood light CBCP: 7700 @90 CRI					L1 Lightolier mounting system		
			VF 60° Very Wide Flood light CBCP: 3700 @90 CRI							

DIMENSIONS



CHANDRA MAX



CHANDRA MINI



The DREAM CHASER series differentiates itself with the appearance of its heatsink combined elegantly with the curvy machined die cast housing. This version comes with various beam patterns, track adapters to make it suitable for many applications whether retrofit or new constructions.

OPERATIONS & ELECTRICAL

Input Voltage : 120-277 Vac

Dimming : Triac dimming

Lumens per Watt : 76-88 LPW at 90 CRI

Distribution : Spot 13°, Narrow Flood 25°, Flood 34°

ORDERING GUIDE

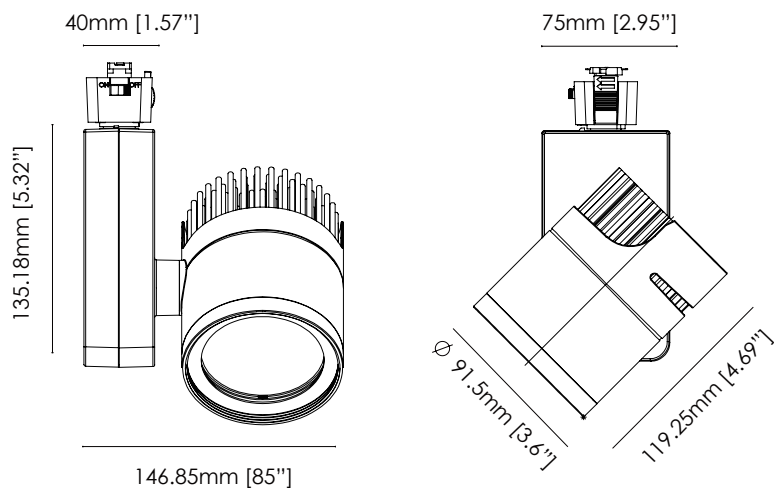
ORDER CODE EXAMPLE: AE-TL-DCNFP35J1WH

FIXTURE FAMILY	DISTRIBUTION	CRI	CCT	ADAPTER	FINISH
AE-TL-DC ERALUX Dream Chaser track light	SP Spotlight 13° 2,200 lumens @3000K, 90CRI CBCP: 16294 @ 90 CRI	P Premium 90 CRI	27 2700K CCT	J1 Juno mounting system	BK Black powder coat finish
	NF Narrow flood light 25° 2,200 lumens @3000K, 90CRI CBCP: 8696 @ 90 CRI		30 3000K CCT	G1 Global mounting system	WH White powder coat finish
	FL Flood light 34° 2,200 lumens @3000K, 90CRI CBCP: 5561 @ 90 CRI		35 3500K CCT	H1 Halo mounting system	SV Silver powder coat
			40 4000K CCT	L1 Lightolier mounting system	

DREAM CHASER

AE-TL-DC
ERALUX Dream Chaser track light

DIMENSIONS





OPERATIONS & ELECTRICAL

Input Voltage : 120 - 277 Vac

Dimming : Triac dimming

Lumens per Watt : 79-92 LPW at 90 CRI (MAX) & 72-84 LPW at 90 CRI (MINI)

ORDERING GUIDE

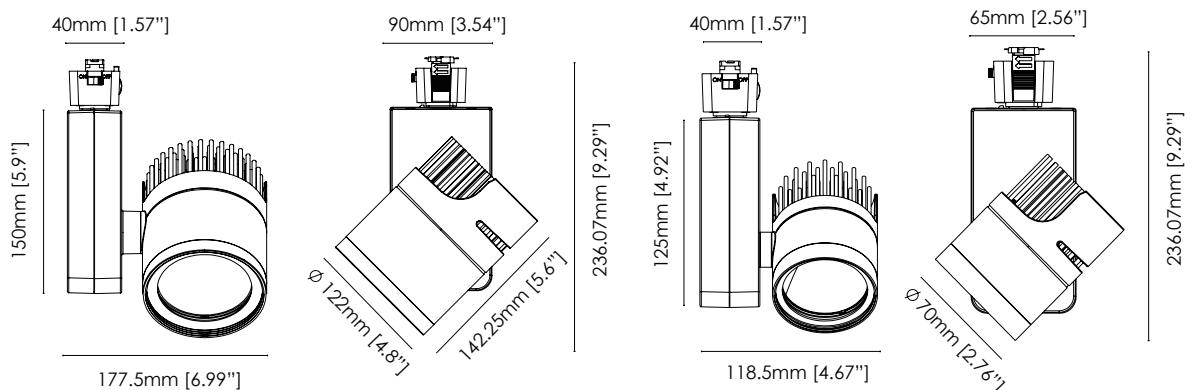
ORDER CODE EXAMPLE: AE-TL-DCMNFP35J1WH

FIXTURE FAMILY	DISTRIBUTION	CRI	CCT	ADAPTER	FINISH
AE-TL-DCM ERALUX Dream Chaser MINI track light	SP Spotlight 12° 1,548 lumens @3000K, 90CRI CBCP: 10500 @ 90 CRI	P Premium 90 CRI	27 2700K CCT	J1 Juno mounting system	BK Black powder coat finish
	NF Narrow flood light 17° 1,548 lumens @3000K, 90CRI CBCP: 7244.7 @ 90 CRI				
	FL Flood light 29° 1,548 lumens @3000K, 90CRI CBCP: 40545 @ 90 CRI				
	WF Wide flood light 33° 1,548 lumens @3000K, 90CRI CBCP: 3581 @ 90 CRI				
AE-TL-DCX ERALUX Dream Chaser MAX track light	NF Narrow flood light 40° 4,275 lumens @3000K, 90CRI CBCP: 7812 @ 90 CRI	35 3500K CCT	30 3000K CCT	G1 Global mounting system	WH White powder coat finish
	FL Flood light 59° 4,275 lumens @3000K, 90CRI CBCP: 4919.7 @ 90 CRI				
	SP Spotlight 20° 4,275 lumens @3000K, 90CRI CBCP: 157542 @ 90 CRI				
	L1 Lightolier mounting system				
			40 4000K CCT	H1 Halo mounting system	SV Silver powder coat finish

DREAM CHASER MINI

DREAM CHASER MAX

DIMENSIONS



177.5mm [6.99"]

DREAM CHASER MAX

118.5mm [4.67"]

DREAM CHASER MINI



The ARTEMIS series comes with a horizontal driver enclosure and a unique track head enhanced with the ability to adjust the focus of the optics based on your requirement. It is available in black, white and silver finishes or a combination of any two finishes to provide a unique customized product for your environment. This product comes at a standard 90 CRI but also caters to lighting experts with a high-GAI (Gamut Area Index) option for an enhanced visual effect on products.

OPERATIONS & ELECTRICAL

Input Voltage : 120 Vac

Dimming : Triac dimming

Lumens per Watt : 65-69 LPW at 90 CRI

Distribution : Variable beam angle from 20° to 50°

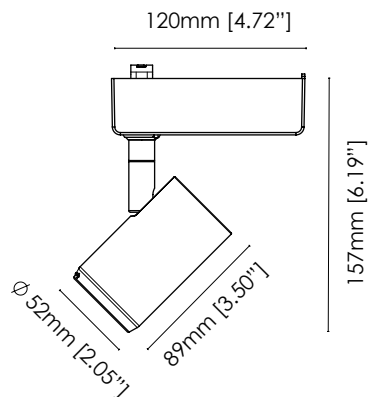
ORDERING GUIDE

Ordering code example: AE-TL-AT12VAP30J1BK

FIXTURE FAMILY	VOLTAGE	DISTRIBUTION	CRI	CCT	ADAPTER	FINISH
AE-TL-AT ERALUX Artemis Series track light	12 120V	VA Variable dis- tribution from 20° to 50° Up to 1,035 lumens 20: CBCP 4200 @ 90 CRI 50: CBCP 1450 @ 90 CRI	P Premium 90 CRI	27 2700K CCT	J1 Juno mounting system	BK Black powder coat finish
			S Superior HIGH-GAI (available only at 3000K & 3500K)	30 3000K CCT	G1 Global mounting system	WH White powder coat finish
				35 3500K CCT	H1 Halo mounting system	
				40 4000K CCT	L1 Lightolier mounting system	SV Silver powder coat finish

ARTEMIS

DIMENSIONS





The EUCLID series features a vertical driver enclosure with a semi-exposed heatsink to provide a unique look to your environment. It is available in black, white and silver finish or a combination of two finishes to provide a distinctive look for your store. This product comes at a standard 90 CRI but also caters to lighting experts with a high-GAI (Gamut Area Index) option for an enhanced visual effect on products.

OPERATIONS & ELECTRICAL

Input Voltage: 120 Vac
 Dimming: Triac dimming
 Lumens per Watt: 81-94 LPW at 90CRI
 Distribution: flood, wide flood, very wide flood

ORDERING GUIDE

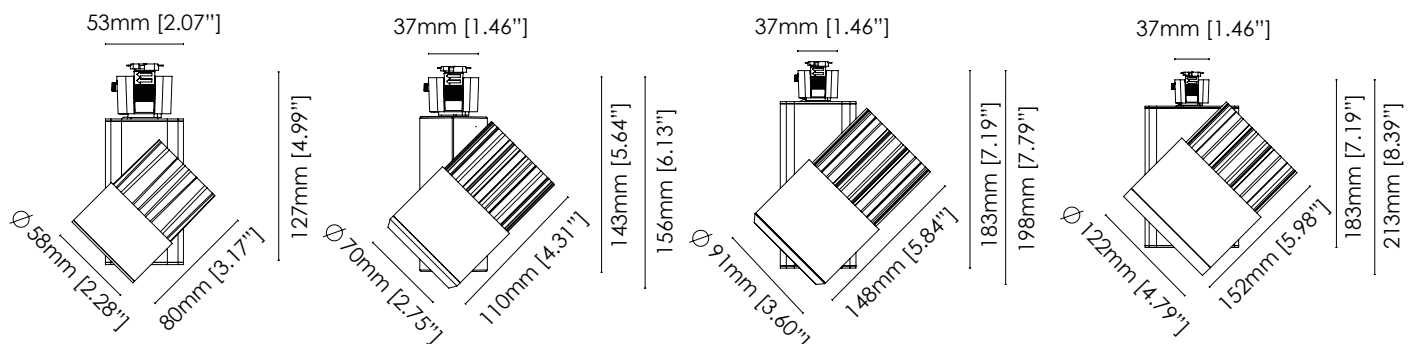
Ordering code example: AE-TL-EL1412NFP30J1BK

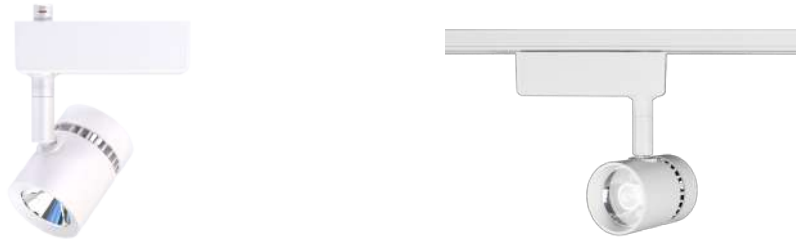
FIXTURE FAMILY	LUMEN	VOLTAGE	DISTRIBUTION	CRI	CCT	ADAPTER	FINISH
AE-TL-EL ERALUX Euclid Series track light	14 14 watts: 1220 lumens at 90CRI 3000K	120V	FL Flood light 13° CBCP: 17521 @ 90 CRI WF Wide Flood light 25° CBCP: 9347 @ 90 CRI VF Very Wide Flood light 34° CBCP: 5987 @ 90 CRI	P Premium 90 CRI S** Superior HIGH GAI	27 2700K CCT 30 3000K CCT 35 3500K CCT 40 4000K CCT	J1 Juno mounting system	BK Black powder coat finish
	17 19 watts: 1680 lumens at 90CRI 3000K					G1 Global mounting system	WH White powder coat finish
	25 27 watts: 2210 lumens at 90CRI 3000K					H1 Halo mounting system	SV Silver powder coat finish
	45* 51 watts: 4320 lumens at 90CRI 3000K					L1 Lightolier mounting system	

EUCLID

*AE-TL-EL45 not available in High GAI
 ** Available only at 3000K & 3500K

DIMENSIONS





The IRIS series has a distinctive look with a semi-exposed heatsink. This product features four possible beam distributions ranging from narrow flood, flood, wide flood and very wide flood. This product also comes standard at 90 CRI but also caters to lighting experts with a high-GAI (Gamut Area Index) option for an enhanced visual effect on products.

OPERATIONS & ELECTRICAL

Input Voltage: 120 Vac

Dimming: Triac dimming

Lumens per Watt: 81-93 LPW at 90CRI

Distribution: Narrow flood, Flood, Wide Flood, Very Wide Flood

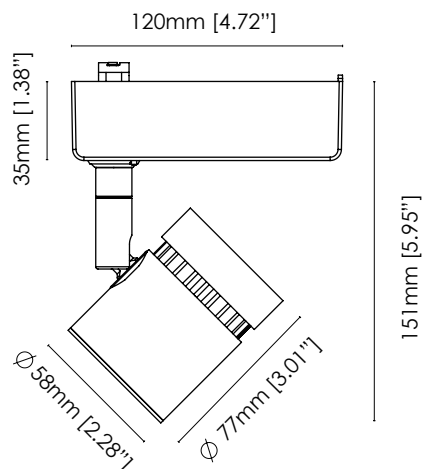
ORDERING GUIDE

Ordering code example: AE-TL-IR12PF14N30J1BK

IRIS

FIXTURE FAMILY	VOLTAGE	DISTRIBUTION	CRI	CCT	ADAPTER	FINISH
AE-TL-IR ERALUX Iris Series track light with up to 1,302 lumens	12 120V	NF Narrow Flood light distribution			J1 Juno mounting system	
		FL Flood light distribution	P Premium 90 CRI	27 2700K CCT 30 3000K CCT	G1 Global mounting system	BK Black powder coat finish
		WF Wide Flood light distribution	S* Superior HIGH GAI	35 3500K CCT 40 4000K CCT	H1 Halo mounting system	WH White powder
		VF Very wide flood distribution			L1 Lightlier mounting system	SV Silver powder coat finish

DIMENSIONS



*Available only at 3000k & 3500k



The OSIRIS series features a distinctive look with a smooth heatsink and a vertical driver enclosure. There are three possible lumens packages and three possible beam distributions: narrow flood, flood and wide flood. This product also comes standard at 90 CRI.

OPERATIONS & ELECTRICAL

Input Voltage: 120 Vac
 Dimming: Triac dimming
 Lumens per Watt: 74-92 LPW at 90CRI
 Distribution: Narrow flood, Flood, Wide flood

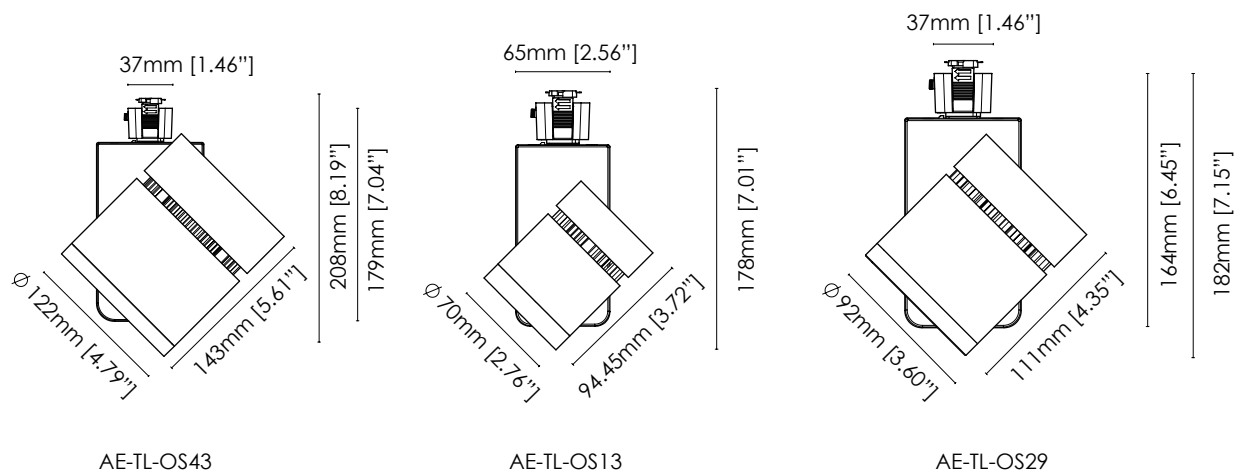
ORDERING GUIDE

Ordering code example: AE-TL-OS1312FL30J1BK

FIXTURE FAMILY	LUMEN	VOLTAGE	DISTRIBUTION	CRI	CCT	ADAPTER	FINISH	
AE-TL-OS ERALUX Osiris Series track light	13 20 watts: 1590 lumens	12 120V	NF Narrow flood light	P Premium 90 CRI	27 2700K CCT	J1 Juno mounting system	BK Black powder coat finish	
	29 27 watts: 2100 lumens		FL Flood light		30 3000K CCT	G1 Global mounting system		WH White powder coat finish
	43 51 watts: 4430 lumens		WF Wide flood light		35 3500K CCT	H1 Halo mounting system		SV Silver powder coat finish
					40 4000K CCT	L1 Lightlier mounting system		

*Available only at 3000K & 3500K

DIMENSIONS





Equipped with a power supply, the TERRA wall wash series is capable of more than other track lights. TERRA has a programmable driver, smart control capabilities, and dimmer compatibility. The TERRA is made for the track system with various adapter options. TERRA can adapt to your pre-existing track system or with new ERALUX accessories. Like the TERRA Canopy, the fixture will offer a double asymmetric beam of light. The LED head can lock into place at various angles.

OPERATIONS & ELECTRICAL

Input Voltage : 120-277 Vac

Dimming : Tri-mode dimming: Triac, ELV, 0-10V

Lumens per Watt : 54-58 LPW at 90 CRI

Distribution : Double Asymmetrical, 25°

ORDERING GUIDE

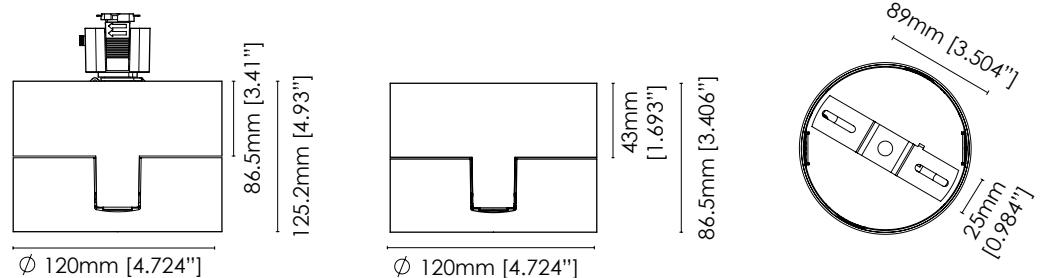
Ordering code example:AE-TL-TR-UV-DAP30J1BK

FIXTURE FAMILY	VOLTAGE	DISTRIBUTION	CRI	CCT	ADAPTER	FINISH
AE-TL-TR ERALUX TERRA Wall wash track light	-UV 120-277V	-DA 30 watts: 1,620 lumens 3000K Double Asymmetrical, 25°	P Premium 90 CRI	27 2700K CCT 30 3000K CCT 35 3500K CCT 40 4000K CCT	J1 Juno mounting system G1 Global mounting system H1 Halo mounting system L1 Lightolier mounting system	BK Black powder coat finish WH White powder coat finish SV Silver powder coat finish

*Canopy does not have an ADAPTER

TERRA TERRA CANOPY

DIMENSIONS





TERRA Crescent has a programmable driver, smart control capabilities, and dimmer compatibility. The TERRA is made for the track system with various adapter options. TERRA can adapt to your pre-existing track system or with new ERALUX accessories. Like the TERRA Crescent Canopy, the fixture will offer a single asymmetric beam of light. The LED head can lock into place at various angles.

OPERATIONS & ELECTRICAL

Input Voltage : 120-277 Vac

Dimming : Tri-mode dimming: Triac, ELV, 0-10V

Lumens per Watt : 54-58 LPW at 90 CRI

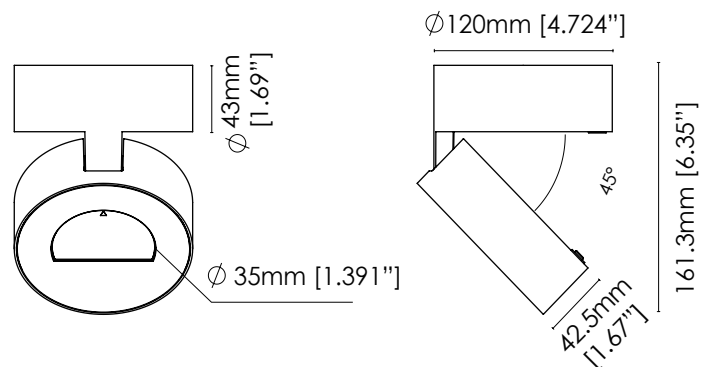
Distribution: Single Asymmetrical (Tilt 45°) 30°x35°

ORDERING GUIDE

FIXTURE FAMILY	VOLTAGE	DISTRIBUTION	CRI	CCT	ADAPTER	FINISH
AE-TL-TR ERALUX TERRA track light	-UV 120-277V	-SA 30 watts: 1,620 lumens at 3000K Single Asymmetrical (Tilt 45°) Beam Angle 30°x35°	P Premium 90 CRI	27 2700K CCT	J1 Juno mounting system	BK Black powder coat finish
				30 3000K CCT	G1 Global mounting system	WH White powder coat finish
AE-TL-TRC ERALUX TERRA Surface mount Canopy light	-UV 120-277V	-SA 30 watts: 1,620 lumens at 3000K Single Asymmetrical (Tilt 45°) Beam Angle 30°x35°	P Premium 90 CRI	35 3500K CCT	H1 Halo mounting system	SV Silver powder coat finish
				40 4000K CCT	L1 Lightolier mounting system	

*Canopy does not have an ADAPTER

DIMENSIONS





TERRA Solar has a programmable driver, intelligent control capabilities, and dimmer compatibility. The TERRA Solar is made for the track system with various adapter options. TERRA Solar can adapt to your pre-existing track system or with new ERALUX accessories. Like the TERRA Solar Canopy, the fixture will offer a variety of light distribution. The LED head can lock into place at various angles. You can choose a straight downlight or a perpendicular light to the wall.

OPERATIONS & ELECTRICAL

Input Voltage : 120-277 Vac

Dimming : Tri-mode dimming: Triac, ELV, 0-10V

Lumens per Watt : 54 at 3000K & 58 at 3500K and 4000K

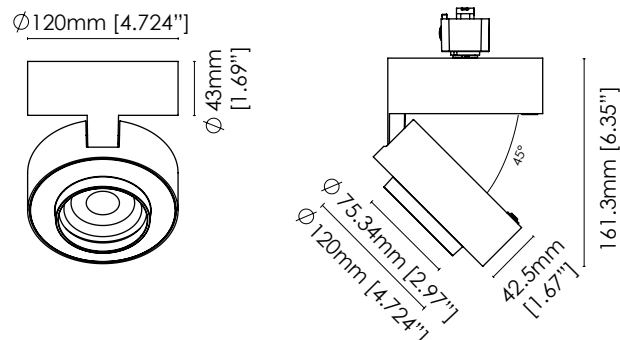
Distribution : Narrow flood, flood, wide flood, very wide flood

ORDERING GUIDE

FIXTURE FAMILY	WATTAGE	VOLTAGE	DISTRIBUTION	CRI	CCT	ADAPTER	FINISH
AE-TL-TR ERALUX TERRA Series track light	-30 30 watts: 1,620 lumens @3000K	-UV 120-277V input voltage	NF Narrow flood light distribution 20°	P Premium 90 CRI	27 2700K CCT	J1 Juno mounting system	BK Black powder coat finish
			FL Flood light distribution 25°		30 3000K CCT	G1 Global mounting system	
AE-TL-TRC ERALUX TERRA Canopy light	1,740 lumens @4000K		WF Wide flood light distribution 35°		35 3500K CCT	H1 Halo mounting system	WH White powder coat finish
			VF Very wide flood light distribution 50°		40 4000K CCT	L1 Lightolier mounting system	SV Silver powder coat finish

*Canopy does not have an ADAPTER

DIMENSIONS





The HUBBLE series feature the adjustable beam angle capability enabling field adjustment of the beam angle without any tools. The beam angle can be made to vary between a narrow flood, flood and a wide flood distribution. This product comes at a standard at 90 CRI, but also caters to lighting experts with a high-GAI (Gamut Area Index) option for an enhanced visual effect on products.

OPERATIONS & ELECTRICAL

Input Voltage: 120 Vac
 Dimming: Triac dimming
 Lumens per Watt: 85-91 LPW at 90 CRI
 Distribution: Variable Beam Distribution

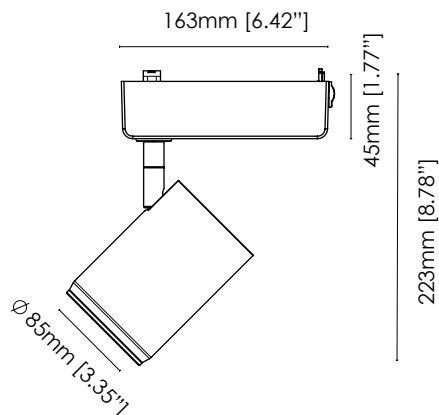
ORDERING GUIDE

Ordering code example: AE-TL-HB12VAP30J1BK

FIXTURE FAMILY	VOLTAGE	DISTRIBUTION	CRI	CCT	ADAPTER	FINISH
AE-TL-HB ERALUX Hubble Series track light with up to 2,730 lumens	12 120V	VA Variable distribution from 20 to 55°	P Premium 90 CRI	27 2700K CCT	J1 Juno mounting system	BK Black powder coat finish
				30 3000K CCT	G1 Global mounting system	WH White powder coat finish
				35 3500K CCT	H1 Halo mounting system	SV Silver powder coat finish
				40 4000K CCT	L1 Lightolier mounting system	

HUBBLE

DIMENSIONS





The ODYSSEY series is a wall-wash track fixture designed with a quality die-cast finish, offering unequalled robustness. This product features a unique spring mechanism around its joints to ease the beam angle's aiming. It comes standard at 90 CRI but also caters to lighting experts with a high-GAI (Gamut Area Index) option for an enhanced visual effect on products.

OPERATIONS & ELECTRICAL

Input Voltage: 120 Vac

Dimming : Triac dimming

Lumens per Watt: 86-90-95 LPW at 90 CRI

Distribution: Linear wall wash beam distribution

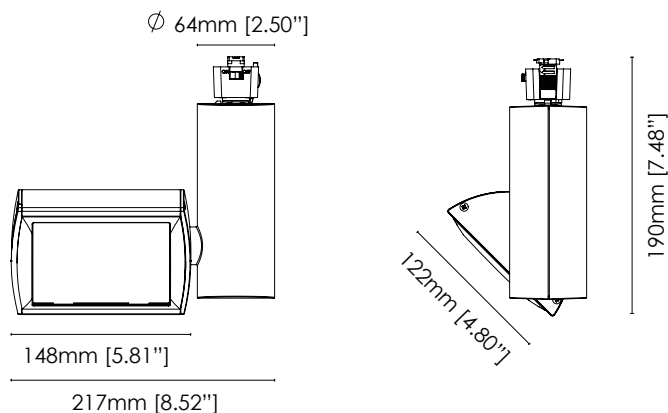
ORDERING GUIDE

Ordering code example: AE-TL0D12WWP30J1BK

FIXTURE FAMILY	VOLTAGE	DISTRIBUTION	CRI	CCT	ADAPTER	FINISH		
AE-TL-OD ERALUX Odyssey Series track light	12 120V	WW Wall Wash light distribution	P Premium 90 CRI	27 2700K CCT	G1 Global mounting system	BK Black powder coat finish		
				30 3000K CCT				
				35 3500K CCT				
				40 4000K CCT				
				S* Superior HIGH GAI			H1 Halo mounting system	WH White powder coat finish
	L1 Lightolier mounting system	SV Silver powder coat finish						

ODYSSEY

DIMENSIONS



*Available only at 3000k & 3500k



The APOLLO is an elegant approach for a linear wall wash track fixture and is perfect for your project space whether than be a clothing boutique, walkway, or gallery. Available in 1 or 2 feet lengths, multiple CCTs and finish options, the Apollo stands out against its competitors.

OPERATIONS & ELECTRICAL

Input Voltage : 120 Vac
 Dimming : Triac dimming
 Lumens per Watt : 85-90 LPW at 90 CRI
 Distribution : Linear flood wall wash

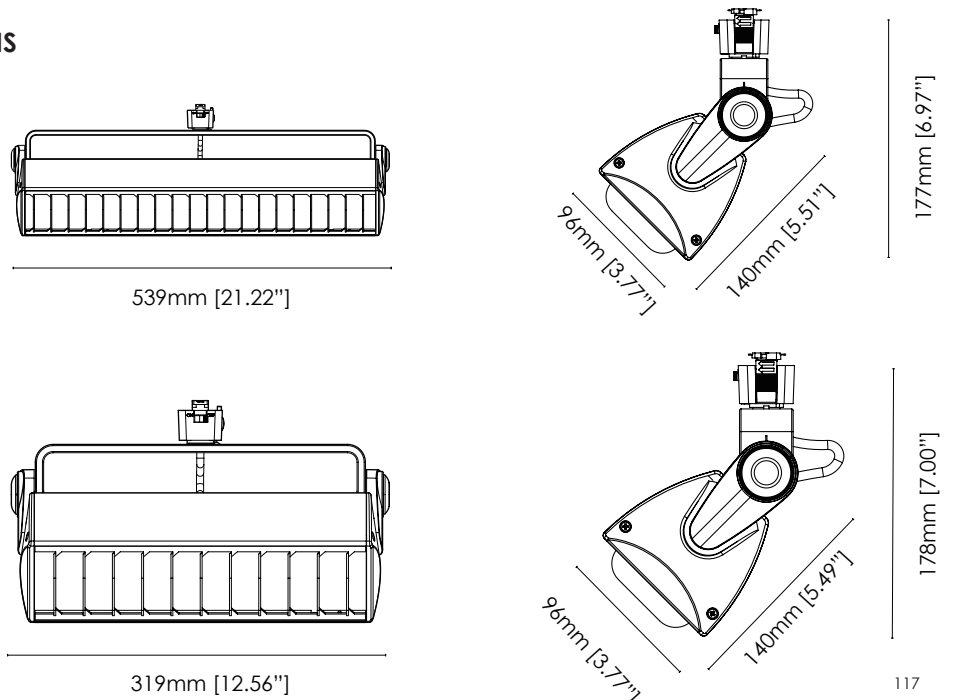
ORDERING GUIDE

Ordering code example: AE-TL-AP1FT12FLP30J1BK

APOLLO

FIXTURE FAMILY	LENGTH	VOLTAGE	DISTRIBUTION	CRI	CCT	ADAPTER	FINISH
AE-TL-AP ERALUX Apollo Series linear wall wash track light	1FT 1-foot linear fixture	12 120V	FL Flood light wall wash distribution 30 watts: 2250 lumens at 90CRI 3000K	P Premium 90 CRI	27 2700K CCT	J1 Juno mounting system	BK Black powder coat finish WH White powder coat finish SV Silver powder coat finish
	30 3000K CCT				G1 Global mounting system		
	35 3500K CCT	H1 Halo mounting system					
	40 4000K CCT		L1 Lightolier mounting system				

DIMENSIONS





The Eleganza Pendant series is a beautiful and elegant solution for open ceilings and it has a distinctive design featuring machined aluminum body, attention to detail including the installation process. Eleganza also has an impressive LPW providing performance as well as elegance in the install environment. Finally, this product is a complete aluminum die cast offering an unparalleled sense of fitness, robustness and quality. It comes in various mounting options such as wall mount, surface mount, pendant and cord stem mount.

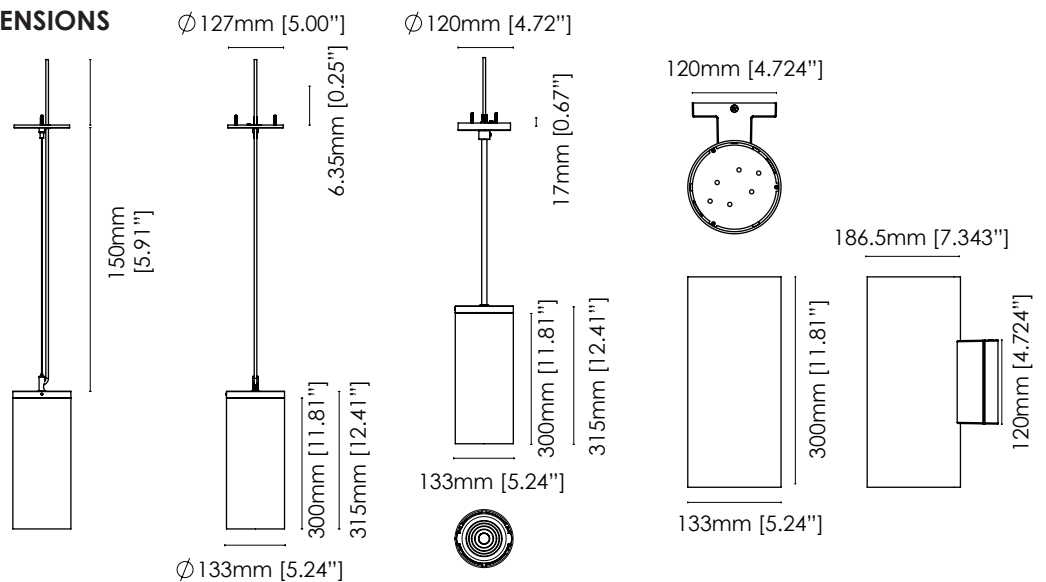
OPERATIONS & ELECTRICAL

Input Voltage: 120-277 Vac

Dimming: Tri Mode Dimming™ (TRIAC, ELV & 0-10V)

Lumens per Watt: 95 LPW at 90CRI

DIMENSIONS



ELEGANZA

ORDERING GUIDE

Ordering code example: AE-TL-EZ-40R12-SF-00-20-C3030-P-T-WH

FIXTURE FAMILY	PRODUCT CODE	HEIGHT	MOUNTING METHOD	POWER	CCT	BEAM ANGLE	CRI	FINISH*		
AE-TL-EZ ERALUX Eleganza indoor cylindrical pendant fixture	-40R	12 12" fixture height	-SF-00 Surface mounted fixture mounting method	-20 20 watts: 1,900 lumens at 90CRI 3000K	-C30 3000K CCT	15 15° beam angle	-P-T Premium 90 CRI	-WH White powder coat finish coat finish RAL9003		
			-WM-00 Wall mount fixture mounting method					-C35 3500K CCT	30 30° beam angle	-BK Black powder coat finish coat finish RAL9004
			-PC Pendant Cord fixture mounting method [-03 3' cable / -06 6' cable / -09 9' cable / -12 12' cable]					-C40 4000K CCT	40 40° beam angle	-SV Silver powder coat finish RAL9006
			-SM Stem mount fixture mounting method, stem length [-01 1' stem / -02 2' stem / -03 3' stem / -04 4' stem]					-C40 4000K CCT	55 55° beam angle	-RALXXX Customized finish



The ELEGANZA SLIM Cylinder series is a continuation of the ELEGANZA cylinder family. It is a beautiful and elegant solution for open ceilings, and it has a distinctive design featuring a machined aluminum body, and attention to detail including the installation process. The modularity of ELEGANZA enables stem mount, surface mount, cable mount, and pendant mount applications. Finally, this product is a complete aluminum die cast offering an unparalleled sense of finesse, robustness and quality.

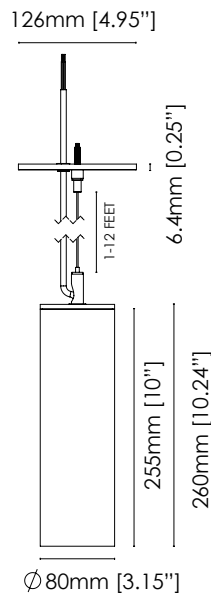
OPERATIONS & ELECTRICAL

Input Voltage: 120-277 Vac

Dimming: TRIAC & 0-10 V dimming

Lumens per Watt: 80-85 LPW at 90 CRI

DIMENSIONS



ELEGANZA SLIM

ORDERING GUIDE

Ordering code example: AE-TL-EZS10-SF-10-P30FL-WH

FIXTURE FAMILY	HEIGHT	MOUNTING METHOD	POWER	CCT	BEAM ANGLE	FINISH*
AE-TL-EZS ERALUX Eleganza Slim indoor cylindrical pendant fixture	10 10.91" fixture height	-SF Surface mounted fixture mounting method	-10 10 watts: 800 lumens at 90CRI 3000K	-P30 3000K CCT 90 CRI	SP 15° beam angle	-WH White powder coat finish RAL9003
		-PC Cable mounted fixture mounting method [-03 3' cable / -06 6' cable / -09 9' cable / -12 12' cable]	-15 15 watts: 1200 lumens at 90CRI 3000K	-P35 3500K CCT90 CRI	NF 25° 25 beam angle	-BK Black powder coat finish RAL9004
		-SM Stem mounted fixture mounting method [-01 1' stem / -02 2' stem / -03 3' stem / -04 4' stem]	-P40 4000K CC 90 CRI	FL 40° beam angle	-SV Silver powder coat finish RAL9006	
					WF 60° beam angle	-RALXXXX* Customed finish

* Custom color finish available. Please contact us for more information and pricing

THE RELIABLE BACKUP PLAN FOR LIGHTING.

Making way for a safer environment for all.

Emergency lights using modern LED lights. Variety of metal or thermoplastic housing that can be mounted on the wall, the ceiling or by side installation. Many of ERALUX's durable emergency lights allows for people to customize their product by easily interchanging pictograms on site at any time. Increases the safety of your workspace by providing an exit light, or emergency back up when things go wrong.

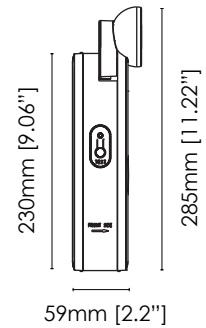
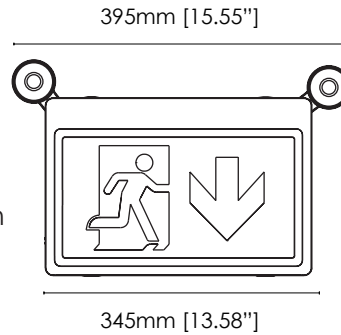


EXITA SERIES

BY-F2230CA



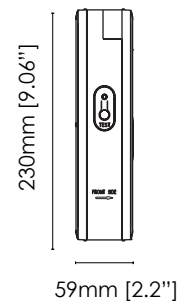
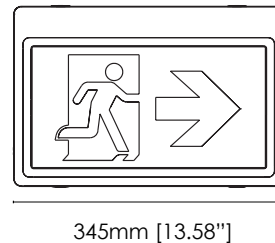
Input Voltage : 120-347 Vac
 CCT : 5700-7200K
 Power consumption : 4.5W
 Emergency Duration: 120 min



BY-F2231CA



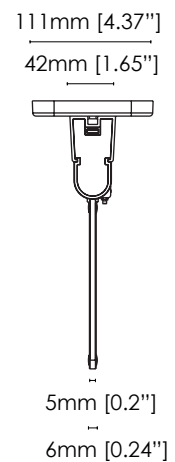
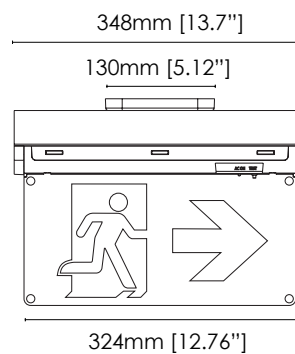
Input Voltage : 120-347 Vac
 CCT : 5700-7200K
 Power consumption : 4.5W
 Emergency Duration: 120 min



B2408U



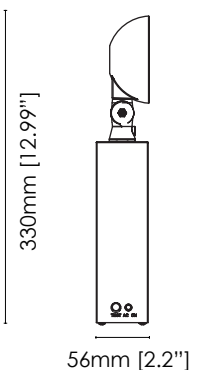
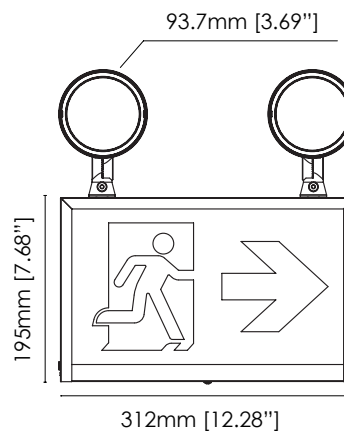
Input Voltage : 120-347 Vac
 CCT : 6500K
 Power consumption : 2W
 Emergency Duration: 90 min



BY-F5024CA



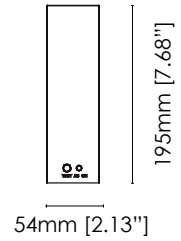
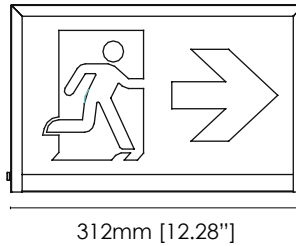
Input Voltage : 120-347 Vac
 CCT : 6500K
 Power consumption : 2W
 Emergency Duration: ≥1.5 Hours



BY-F5025CA



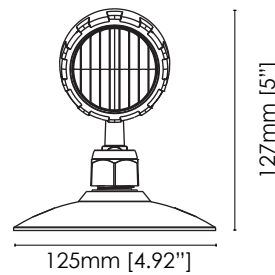
Input Voltage : 120-347 Vac
 CCT : 6500K
 Power consumption : 2W
 Emergency Duration: ≥1.5 Hours



EXITA-Z1101U



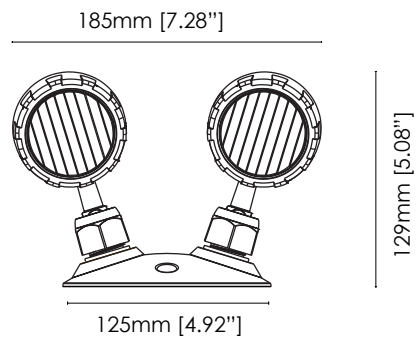
Input Voltage : DC 3.6-24 Vac
 CCT : 6000 - 6500K
 Power consumption :
 3.6V/H:1.8-2.2W
 12V/H:3.6-4.2W
 24V/H:3.6-4.4W



EXITA-Z1102U



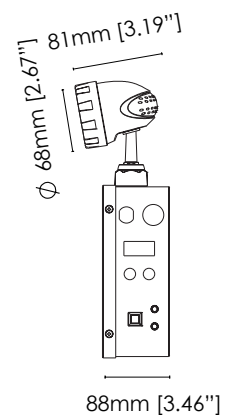
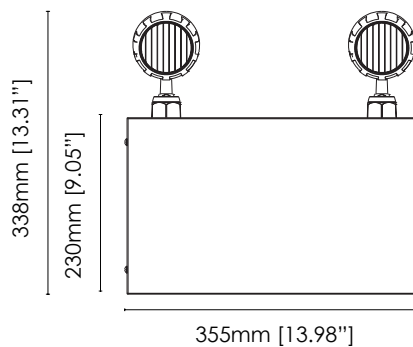
Input Voltage : DC 3.6-24 Vac
 CCT : 6000 - 6500K
 Power consumption :
 3.6V/H:1.8-2.2W
 12V/H:3.6-4.2W
 24V/H:3.6-4.4W



EXITA-Z1102U-N



Input Voltage :
 AC120V/277V/347 Vac
 CCT : 6000 - 6500K
 Power consumption :
 3.6V/H:0.95-1.15W
 12V/H:1.75-2.1W
 24V/H:1.95-2.4W



NOTE

NOTE

NOTE

NOTE

NOTE



eralux[®]

2024 Catalog

