

F2



LINEAR SURFACE MOUNT

Linear Architectural Lighting

The F2 series is the surface mount linear architectural lighting fixture from ERALUX. The F2 Series offers the simplicity of installation for a fast and efficient delivery. It is further enhanced with the access to the led board, drivers and any other components from below. They are available in 4-, 6- and 8-feet lengths. The CCT switchable switch also enables a rapid change of lighting environment.



| | | | | |
|---------------|-----------|--|------------|--|
| DATE | | | | |
| PROJECT NAME | | | | |
| TYPE | | | | |
| QTY | | | | |
| ORDERING CODE | AE-SF-F2- | | 30/40/CCT- | |

OPERATING & ELECTRICAL

| | |
|---------------------------------|----------|
| INPUT VOLTAGE | 120-277V |
| POWER FACTOR | 0.9 |
| DIMMING | 1-10V |
| TOTAL HARMONIC DISTORTION (THD) | <20% |

PERFORMANCE

| | |
|-----------------|------------|
| LUMENS PER FEET | 750lm/ft |
| POWER | 23W |
| | 31W |
| | 46W |
| | 61W |
| BEAM ANGLE | Lambertian |

MECHANICAL & HOUSING

| | |
|--------------|-------------------------------------|
| HOUSING | Extruded aluminum |
| LENS | PC lens |
| FINISH | Nebula White |
| | Atomic Black |
| | Silver |
| POWER SUPPLY | Factory wired electronic LED driver |
| LED BOARD | LED Array |

APPLICATION CONDITION

| | |
|---------------------------|---------------|
| AMBIENT TEMPERATURE RANGE | -20°C to 45°C |
|---------------------------|---------------|

COMPATIBLE MOUNTING

| | |
|----------|---------------|
| MOUNTING | Surface Mount |
|----------|---------------|

WARRANTY

SYSTEM WARRANTY – 5 YEARS

Eralux will warrant defective drivers, LEDs and boards for 5 years from the date of purchase. This warranty is valid only if the fixture is installed and used as per installation guides and specifications. If a defect is present, Eralux will send drivers and boards at no fee with a thorough replacement instructions along with instructions on the return of the defective parts back to Eralux.

LUMEN MAINTENANCE – L85 at 50,000 hours

Rated for 85% initial lumen output at 50,000 hours of operation, operated at 25°C ambient temperature; per guidelines published by the Illuminating Engineering Society (IES).

| | | | | |
|---------------|-----------|---|-------------|--|
| DATE | | | | |
| PROJECT NAME | | | | |
| TYPE | | | | |
| QTY | | | | |
| ORDERING CODE | AE-SF-F2- | - | -30/40/CCT- | |

ORDERING GUIDE

EXAMPLE: AE-SF-F2-4-31-30/40/CCT-BK

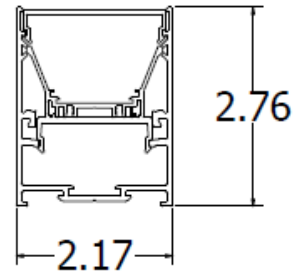
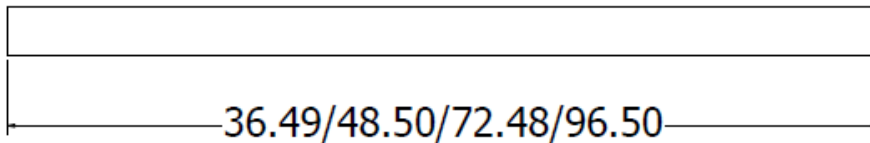
| FIXTURE FAMILY | LENGTH | POWER | CCT | FINISH |
|--|--------------------|--------------------------------|--|----------------------------------|
| AE-SF-F2- | | - | -30/40/CCT- | |
| AE-SF-F2- ERALUX F2 surface mount linear architectural fixture | 3 3 Feet | -23 23W-2,300 lumens | -30/40/CCT- CCT Switchable: 3000K/3500K/4000K | BK Atomic Black Finish |
| | 4 4 Feet | -31 31W-3,000 lumens | | WH Nebula White Finish |
| | 6 6 Feet | -46 46W-4,500 lumens | | SV Silver Finish |
| | 8 8 Feet | -61 61W-6,000 lumens | | |

| FIXTURE FAMILY | SHAPE | CCT | FINISH |
|--|---|---|----------------------------------|
| AE-SF-F2- | | -30/35/40/CCT- | |
| AE-SF-F2- ERALUX F2 surface mount linear architectural fixture | L-90L L Shape 31W – 3,000 lumens | -30/35/40/CCT- CCT Switchable: 3000K/3500K/4000K | BK Atomic Black Finish |
| | T- T Shape 46W – 4,500 lumens | | WH Nebula White Finish |
| | X- X Shape 61W – 6,000 lumens | | |

CAUTION: If there are multiple fixtures connected to the same 0-10V dimming line, a 0-10V controller must be considered to enable consistent dimming across the fixtures. Failure to do so will lead to inconsistent dimming and behaviors in the fixtures. Single switch is not recommended for controlling multiple fixtures simultaneously.

PRODUCT DIMENSION

AE-SF-F2-4/6/8 FT



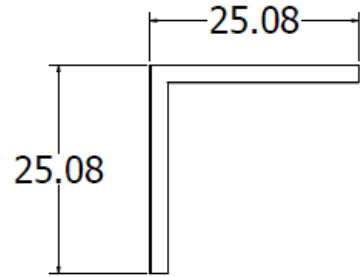
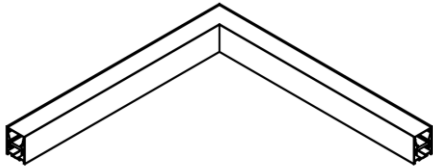
DIMENSIONS IN INCHES

| | | | |
|---------------|-----------|--|------------|
| DATE | | | |
| PROJECT NAME | | | |
| TYPE | | | |
| QTY | | | |
| ORDERING CODE | AE-SF-F2- | | 30/40/CCT- |

VARIOUS SHAPES

L SHAPE

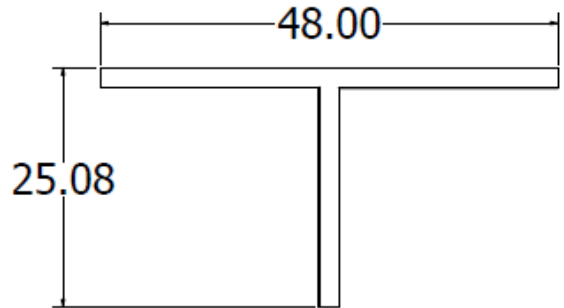
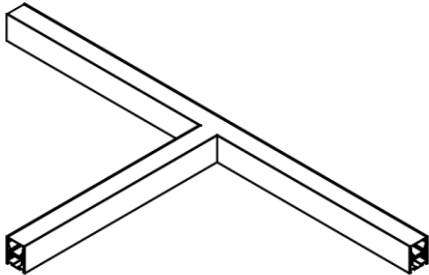
AE-SF-F2-L-90L-30/35/40/CCT-XX



DIMENSIONS IN INCHES

T SHAPE

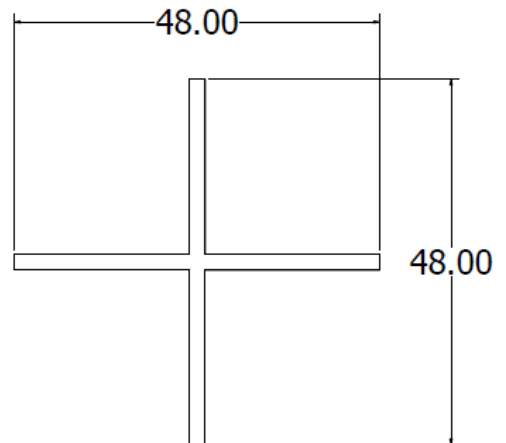
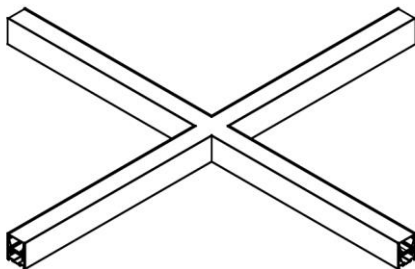
AE-SF-F2-T-30/35/40/CCT-XX



DIMENSIONS IN INCHES

X SHAPE

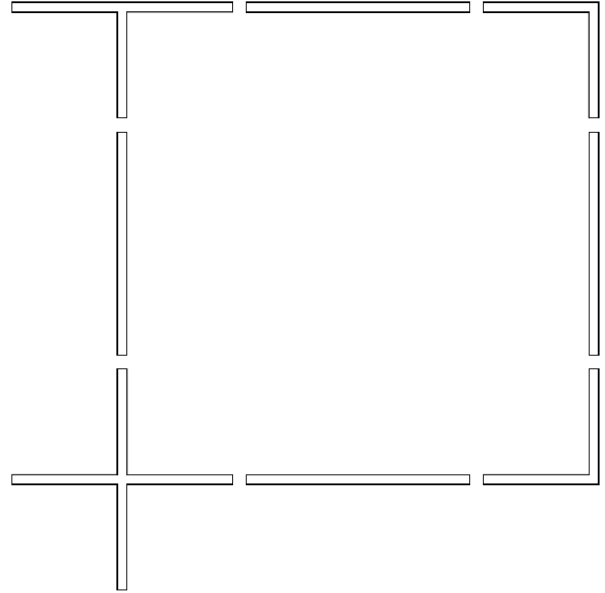
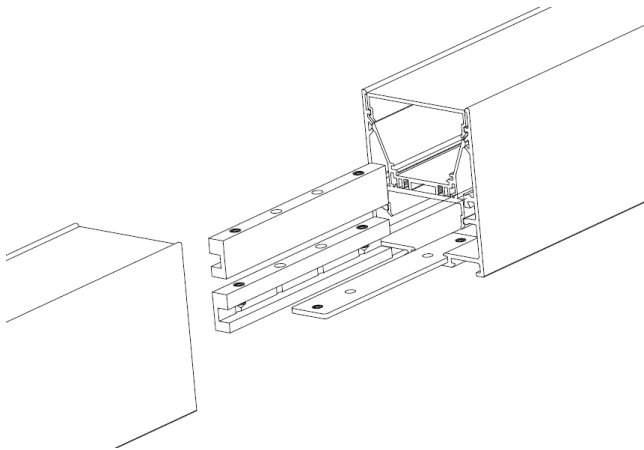
AE-SF-F2-X-30/35/40/CCT-XX



DIMENSIONS IN INCHES

| | | | |
|---------------|-----------|--|------------|
| DATE | | | |
| PROJECT NAME | | | |
| TYPE | | | |
| QTY | | | |
| ORDERING CODE | AE-SF-F2- | | 30/40/CCT- |

MULTIPLE FIXTURE ASSEMBLY



ACCESSORIES

Ordered separately, field installed

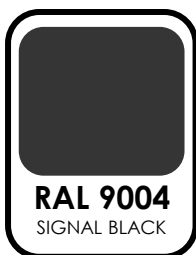
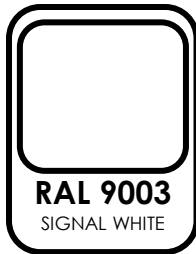
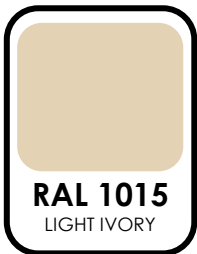
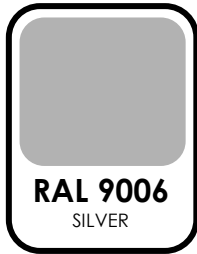
| PART NUMBER | DESCRIPTION | PICTURE |
|-------------------|--|---|
| AE-SF-F2-LINK-KIT | Linkable mechanical and electrical accessories for continuous mounting | <ul style="list-style-type: none"> x2 x4 x1 |
| AE-SF-L-DA | Rubber Diffuser Sucker and F2 Disassembly spanner | |



| | | | | |
|---------------|-----------|--|--|------------|
| DATE | | | | |
| PROJECT NAME | | | | |
| TYPE | | | | |
| QTY | | | | |
| ORDERING CODE | AE-SF-F2- | | | 30/40/CCT- |

CUSTOMED FINISH EXAMPLES FOR F2 AIR

* Please contact manufacturer for more information and pricing for customized finishes



| | | | |
|---------------|-----------|--|------------|
| DATE | | | |
| PROJECT NAME | | | |
| TYPE | | | |
| QTY | | | |
| ORDERING CODE | AE-SF-F2- | | 30/40/CCT- |

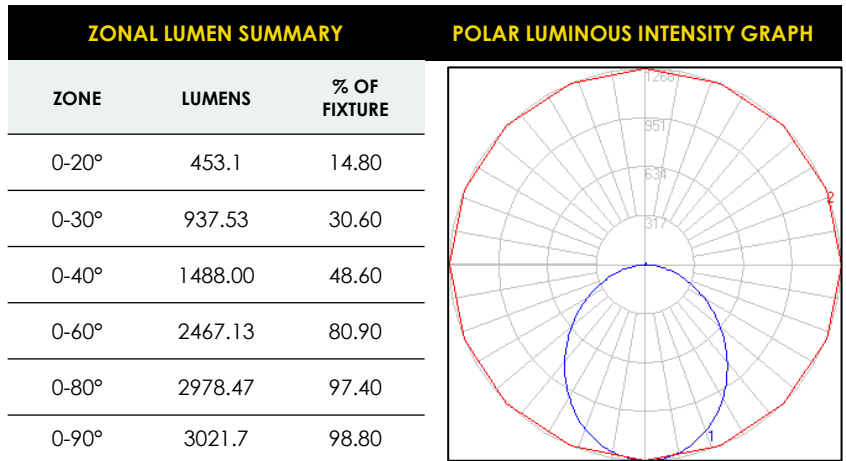
LUMEN ESTIMATE

Lumen output varies based on CCT and CRI. An estimate of lumen output of the various CCT/CRI combinations, use correction factors as per table below:

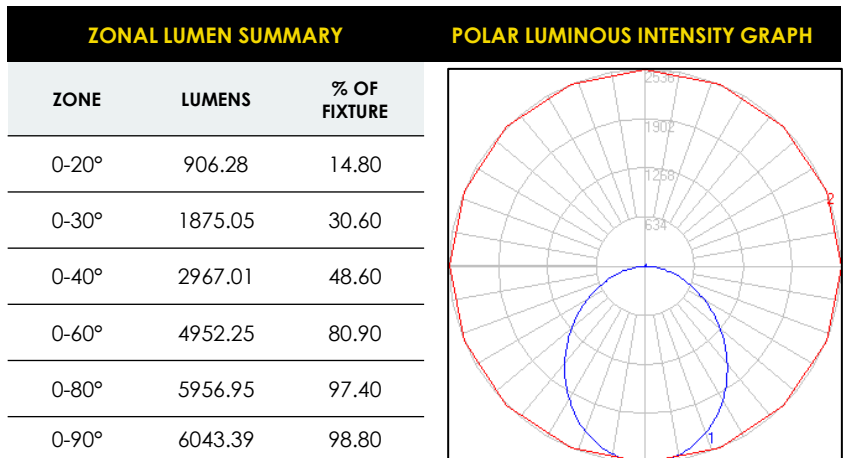
| LUMEN ESTIMATE ADJUSTMENT FACTORS | | | | |
|-----------------------------------|-------|-------|-------|-------|
| CCT | 2700K | 3000K | 3500K | 4000K |
| NORMAL(80CRI) | 0.91 | 0.94 | 0.97 | 1 |

PHOTOMETRIC DATA

AE-SF-F2-4-31-30/35/40-BK
 4 FEET
 31 WATTS



AE-SF-F2-8-61-30/35/40-BK
 8 FEET
 61 WATTS

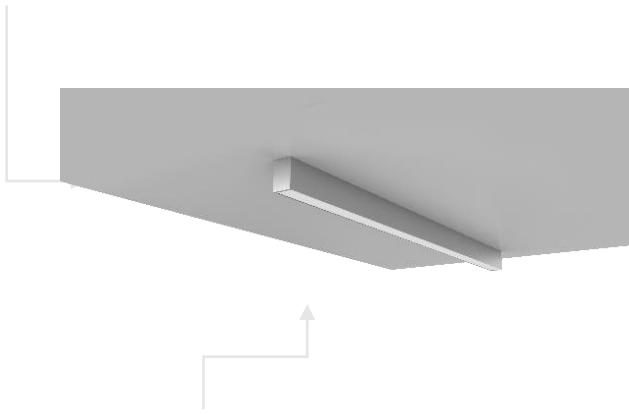
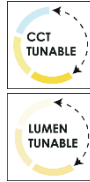


| | | | | |
|---------------|-----------|--|--|------------|
| DATE | | | | |
| PROJECT NAME | | | | |
| TYPE | | | | |
| QTY | | | | |
| ORDERING CODE | AE-SF-F2- | | | 30/40/CCT- |

OVERVIEW

COLOR SELECTABLE

CCT switch to change between 3 CCT – 3000K, 3500K and 4000K – variations from warm to cool light on field.

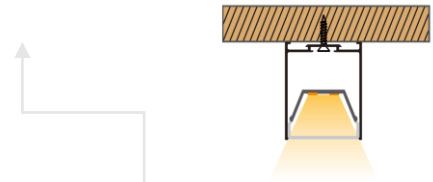
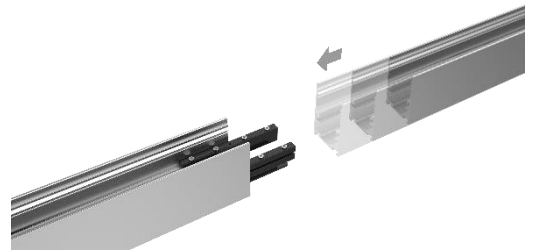


CONTINUOUS RUNS

Easily connect multiple fixtures together for continuous mounting configuration with the help of our simple link kits .

MOUNTING

Easy linkable surface mounted fixtures to allow creative designs on the ceiling.



FINISHES

Standard ERALUX finish in black, white and silver options to provide an elegant look to the fixture's housing.

| | | | | |
|---------------|-----------|--|--|------------|
| DATE | | | | |
| PROJECT NAME | | | | |
| TYPE | | | | |
| QTY | | | | |
| ORDERING CODE | AE-SF-F2- | | | 30/40/CCT- |

Draw your custom shape!

1 square = 1ft

