

# G5

## LINEAR FIXTURES

Linear Architectural Lighting

What we have done with the 2<sup>nd</sup> generation of our most popular fixture is take customers' feedback into consideration. Now with a remolded housing that meets the modern project space, the G5's housing can be connected seamlessly in both light and fixture appearance. Available for suspended mounting, surface mounting, and wall mounting in various run lengths.



DATE	
PROJECT NAME	
TYPE	
QTY	
ORDERING CODE	AE-SF-G5CA 010 - -

### OPERATING & ELECTRICAL

INPUT VOLTAGE	120-347V
POWER FACTOR	0.9
DIMMING	0-10V dimming with dim-to-off
TOTAL HARMONIC DISTORTION (THD)	<20%

### PERFORMANCE

LUMENS PER WATT	120 LPW at 80CRI for 6 FT and 8FT 105 LPW at 80CRI for 4 FT
POWER	20W 40W 50W 70W
DISTRIBUTION	Lambertian

### MECHANICAL & HOUSING

HOUSING	Extruded aluminum
LENS	Highly durable frosted polycarbonate lens
FINISH	Nebula White, Atomic Black, Silver
POWER SUPPLY	Factory wired electronic LED driver
LED BOARD	Discrete LED

### APPLICATION CONDITION

AMBIENT TEMPERATURE RANGE	-10°C to 40°C
---------------------------	---------------

### COMPATIBLE MOUNTING

MOUNTING	Surface Suspended Wall
----------	------------------------------

### WARRANTY

#### SYSTEM WARRANTY – 5 YEARS

Eralux will warrant defective drivers, LEDs and boards for 5 years from the date of purchase. This warranty is valid only if the fixture is installed and used as per installation guides and specifications. If a defect is present, Eralux will send drivers and boards at no fee with a thorough replacement instructions along with instructions on the return of the defective parts back to Eralux.

#### LUMEN MAINTENANCE – L85 at 50,000 hours

Rated for 85% initial lumen output at 50,000 hours of operation, operated at 25°C ambient temperature; per guidelines published by the Illuminating Engineering Society (IES).



"Not all product variations listed on this page are DLC qualified with the LUNA designation. Visit <https://qpl.designlights.org/> to confirm qualification."

DATE	
PROJECT NAME	
TYPE	
QTY	
ORDERING CODE	AE-SF-G5CA 010 - -

**ORDERING GUIDE**

EXAMPLE: AE-SF-G5CA44030/35/40010WH-GB

FIXTURE FAMILY	VOLTAGE	LENGTH	POWER	CCT	CONTROLS	FINISH	DIMMING	ACCESSORIES
<b>AE-SF-G5</b>	<b>CA</b>				<b>010</b>		-	-
<b>AE-SF-G5</b>  ERALUX G5 linear architectural fixture	120-347Vac input voltage	<b>2</b> 2 feet length	<b>20</b> 20 watts: 2,100 lumens	<b>30/35/40*</b> 3000/3500/4000K selectable CCT	<b>010</b> 0-10V dimming with dim-to-off	<b>WH-GB</b> ERALUX Nebula White	<b>[LEAVE BLANK]</b> 0-10V Standard	<b>-PU</b> Power cord – 120-277V
		<b>4</b> 4 feet length	<b>40</b> 40 watts: 4,200 lumens					<b>-PU-C</b> Power cord – 120-277V with 5-inch Canopy
		<b>5</b> 5 feet length	<b>40</b> 40 watts: 4,200 lumens	<b>30/40/50</b> 3000/4000/5000K selectable CCT		<b>-LDE1**</b> Lutron Hi-lume 1% EcoSystem driver with Soft-on, Fade-to-Black dimming technology down to 1%	<b>-PH</b> Power cord – 120-347V	
		<b>6</b> 6 feet length	<b>50</b> 50 watts: 6,000 lumens				<b>-EMBB***</b> Emergency battery backup	<b>-PH-C</b> Power cord – 120-347V with 5-inch Canopy
		<b>8</b> 8 feet length	<b>70</b> 70 watts: 8,400 lumens					

Each fixture comes standard with 2x 6FT suspension cables

- \* Default CCT setting is 3500K, but can be changed upon request before shipping.
- \*\* LDE1 option requires color selection if not the default CCT, 3500K.
- \*\*\* EMBB option available in 120-277V only.

**TECHNICAL REQUIREMENTS – DLC MODEL**




TECHNICAL REQUIREMENTS VERSION	PRODUCT ID	MODEL NUMBER
5.1	S-09HDJM	AE-SF-G5CA87030-35-40010YY-GB
	S-ACNDT2	AE-SF-G5CA44030-35-40010YY-GB
	S-JTCRUD	AE-SF-G5CA22030-35-40010YY-GB

YY represents the finish chosen for the fixture.

DATE	
PROJECT NAME	
TYPE	
QTY	
ORDERING CODE	AE-SF-G5CA 010 - -

### ORDERING GUIDE...Continued

EXAMPLE: AE-SF-G5CA-L-20-30-35-40-XX-GB

SHAPES		
L SHAPE		AE-SF-G5CA-L-20-30-35-40-WH-GB AE-SF-G5CA-L-20-30-35-40-BK-GB
T SHAPE		AE-SF-G5CA-T-30-30-35-40-WH-GB AE-SF-G5CA-T-30-30-35-40-BK-GB
X SHAPE		AE-SF-G5CA-X-40-30-35-40-WH-GB AE-SF-G5CA-X-40-30-35-40-BK-GB

\*Surface mount bracket not available for L, T, X shapes

EXAMPLE: AE-SF-G5CA440N30/40/50010WH-GB-PU-C

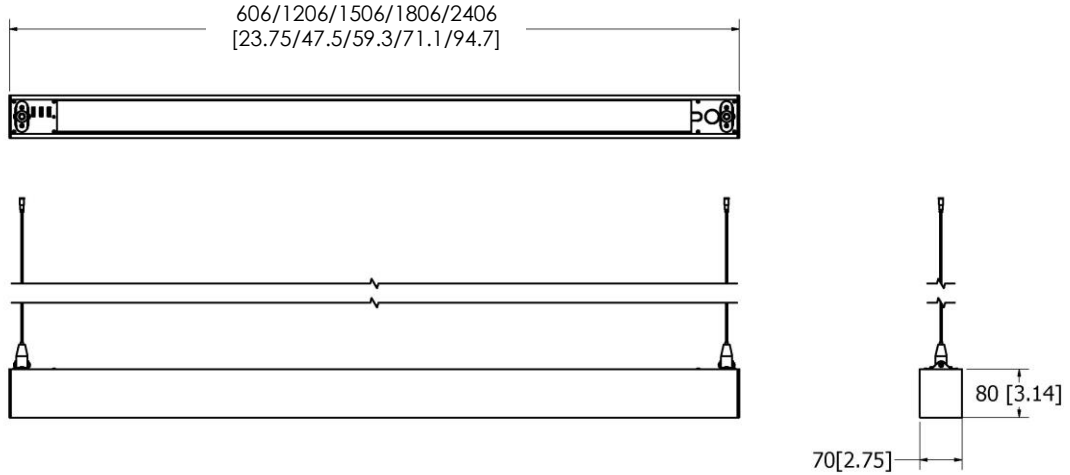
PART NUMBER SUFFIX	ACCESSORIES
BLANK	
-PU	- Power cord – 120-277V
-PU-C	- Power cord – 120-277V with 5-inch Canopy
-PH	- Power cord – 120-347V
-PH-C	- Power cord – 120-347V with 5-inch Canopy

### POWER SWITCHABLE OPTIONS

2FT	Avg 105-120 LPW	20 watts	20W– 2100 lms
		20/30/40 watts switchable	20W – 2100 lms
30W - 3150 lms			
40W - 4200 lms			
4FT		30/40/50 watts switchable	30W - 3600 lms
			40W - 4800 lms
			50W - 6000 lms
6FT		40/70 watts switchable	40W - 4800 lms
	70W - 8400 lms		
8FT			

DATE	
PROJECT NAME	
TYPE	
QTY	
ORDERING CODE	AE-SF-G5CA 010 - -

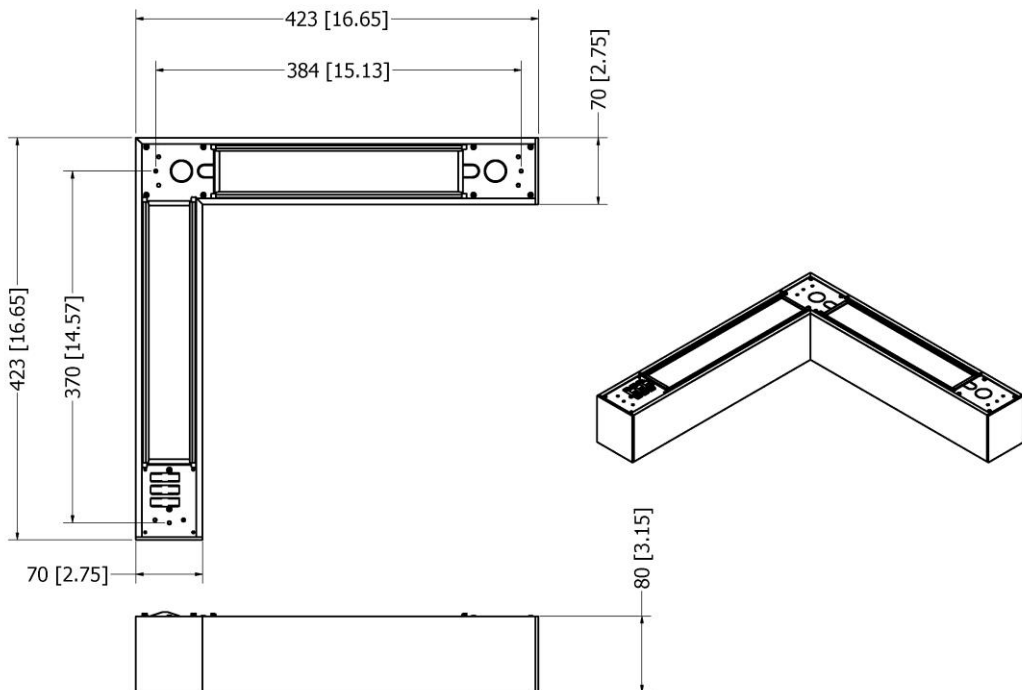
**PRODUCT DIMENSION - SUSPENDED**



**PRODUCT DIMENSIONS – L SHAPE**

AE-SF-G5CA-L-20-30-35-40-XX-GB

\*Surface mount bracket not available for L, T, X shapes

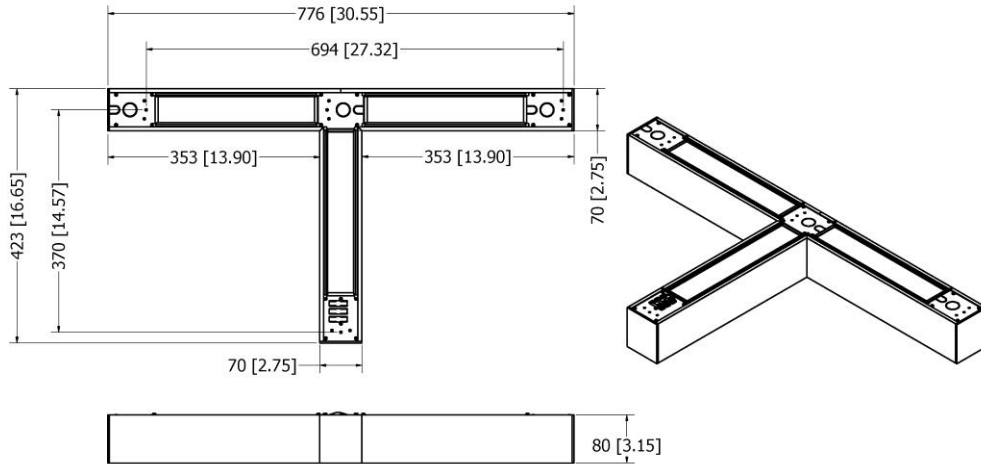


DATE	
PROJECT NAME	
TYPE	
QTY	
ORDERING CODE	AE-SF-G5CA 010 - -

### PRODUCT DIMENSIONS – T SHAPE

AE-SF-G5CA-T-30-30-35-40-XX-GB

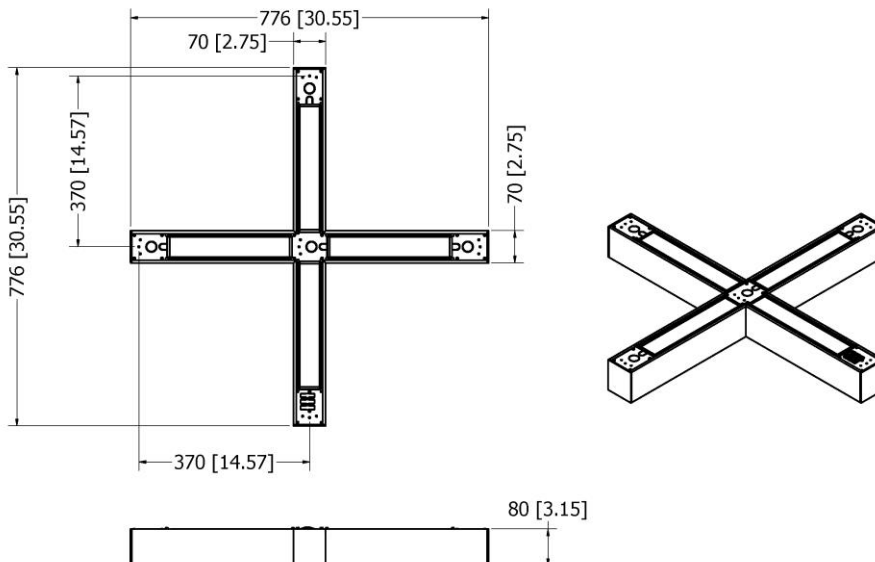
\*Surface mount bracket not available for L, T, X shapes



### PRODUCT DIMENSIONS – X SHAPE

AE-SF-G5CA-X-40-30-35-40-XX-GB

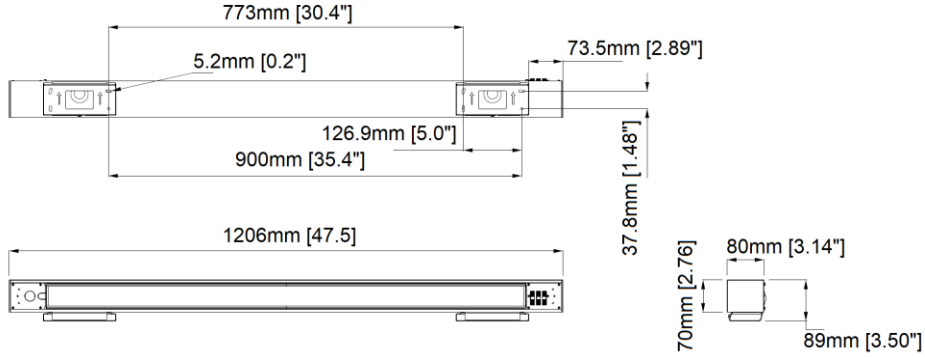
\*Surface mount bracket not available for L, T, X shapes



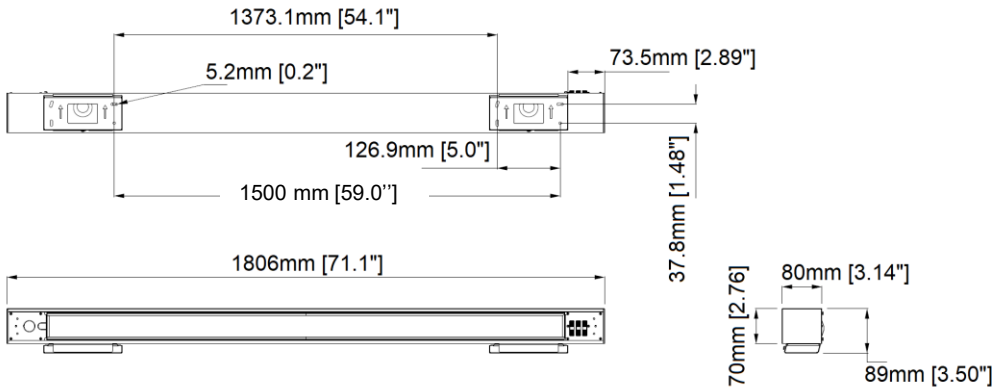
DATE	
PROJECT NAME	
TYPE	
QTY	
ORDERING CODE	AE-SF-G5CA 010 - -

PRODUCT DIMENSIONS – WALL MOUNT

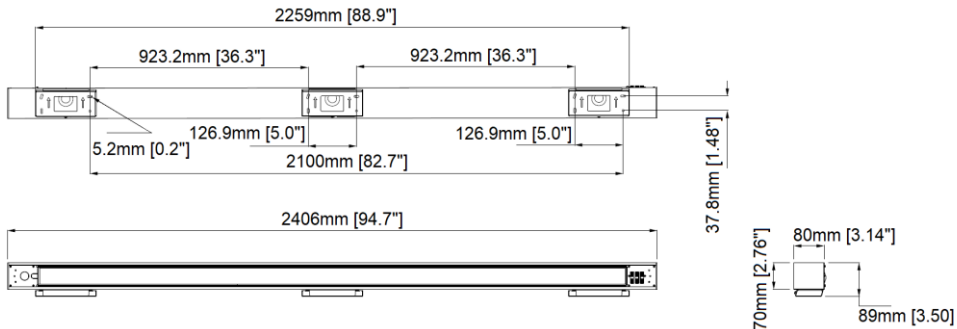
AE-SF-G5CA4



AE-SF-G5CA6





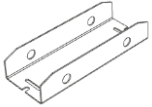





AE-SF-G5CA8



DATE	
PROJECT NAME	
TYPE	
QTY	
ORDERING CODE	AE-SF-G5CA      010      -      -

## ACCESSORIES







Ordered separately, field installed

PART NUMBER	DESCRIPTION	PICTURE
AE-SF-CANOPY-WH-5IN AE-SF-CANOPY-BK-5IN	Canopy Cover kit: 5" diameter - 2 pieces White or Black	
AE-SF-CANOPY-WH-5IN-SUSP AE-SF-CANOPY-BK-5IN-SUSP	Canopy Cover kit: 5" diameter - 1 piece White or Black - Non-power feed	
AE-SF-LINK-G2	Linkable Metal Accessory - 1 piece Fixture wired for continuous mounting	
AE-SF-G5-SMT-WH-2ft AE-SF-G5-SMT-BK-2ft	Surface mount kit for 2 feet - 1 piece - White Surface mount kit for 2 feet - 1 piece - Black	
AE-SF-G5-SMT-WH-4ft AE-SF-G5-SMT-BK-4ft	Surface mount kit for 4 feet - 1 piece - White Surface mount kit for 4 feet - 1 piece - Black	
AE-SF-G5-SMT-WH-8ft AE-SF-G5-SMT-BK-8ft	Surface mount kit for 8 feet - 1 piece - White Surface mount kit for 8 feet - 1 piece - Black	
AE-SF-PWRCORD-WH AE-SF-PWRCORD-BK	8FT power cord - 120-277V - White 8FT power cord - 120-277V - Black	
AE-SF-PWRCORD-HV-WH AE-SF-PWRCORD-HV-BK	8FT power cord - 120-347V - White 8FT power cord - 120-347V - Black	

DATE	
PROJECT NAME	
<b>TYPE</b>	
QTY	
ORDERING CODE	AE-SF-G5CA      010      -      -

## ACCESSORIES

Ordered separately, field installed

PART NUMBER	DESCRIPTION	PICTURE
AE-SF-PWRCORD-WH-18FT AE-SF-PWRCORD-BK-18FT	18FT power cord – 120-277V - White 18FT power cord – 120-277V – Black	
AE-SF-PWRCORD-HV-WH-18FT-B AE-SF-PWRCORD-HV-BK-18FT-B	18FT power cord – 120-347V - White 18FT power cord – 120-347V - Black	
AE-SF-WIRE-8FT	2 x 8FT suspension cables	
AE-SF-WIRE-12FT	2 x 12FT suspension cables	
AE-SF-WIRE-18FT	2 x 18FT suspension cables	
AE-SF-WMB-WH AE-SF-WMB-BK	Wall mount kit – 2 pieces – White Wall mount kit – 2 pieces – Black	



DATE	
PROJECT NAME	
<b>TYPE</b>	
QTY	
ORDERING CODE	AE-SF-G5CA 010 - -

### LUMEN ESTIMATE

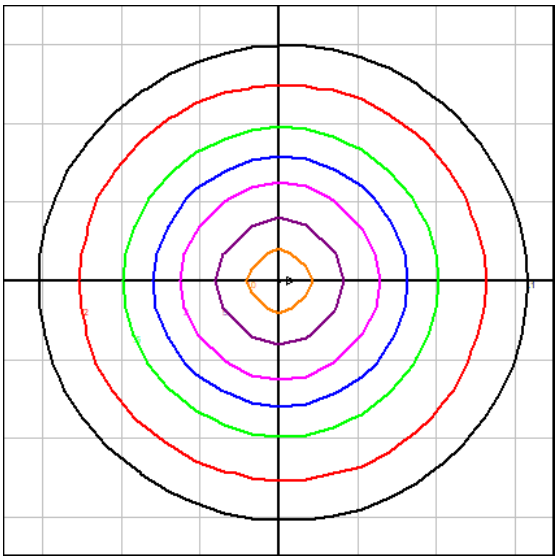
Lumen output varies based on CCT and CRI. An estimate of lumen output of the various CCT/CRI combinations, use correction factors as per table below:

LUMEN ESTIMATE ADJUSTMENT FACTORS				
CCT	3000K	3500K	4000K	5000K
NORMAL (80CRI)	0.94	0.97	1	1.03

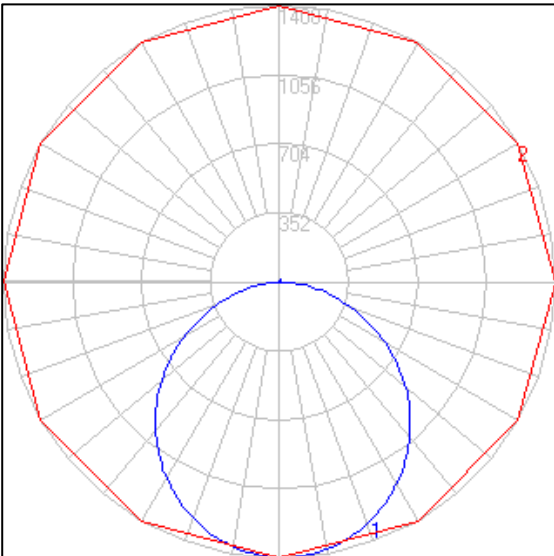
### PHOTOMETRIC DATA

AE-SF-G5CA44030/35/40010WH-GB (3500K)

**GRID DISTANCES WITH A MOUNTING HEIGHT OF 10' AFG**

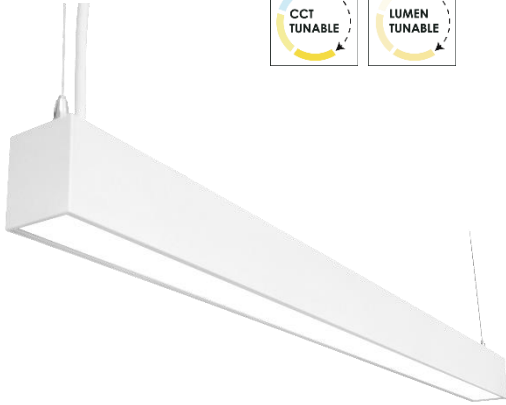
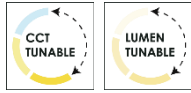


**POLAR LUMINOUS INTENSITY GRAPHS**



DATE	
PROJECT NAME	
<b>TYPE</b>	
QTY	
ORDERING CODE	AE-SF-G5CA 010 - -

**OVERVIEW**



2/4/5/6/8 ft

Single Fixture



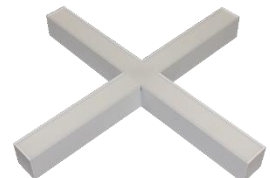
Seamless joints



Canopy: 2/kit

Three special shape options:

- L Shape
- T Shape
- X Shape



**COLOR SELECTABLE**

CCT switch to change between 3 CCT variations from warm to cool light.

**ACCESSORIES**

Multiple accessories to select such as canopy cover kits, and mounting brackets.

**STANDARD FEATURES**

6FT suspension cables standard with fixture providing simple purchase and cost-savings.

**CONTINUOUS RUNS**

Easily connect multiple fixtures together for continuous mounting configuration.

**FINISHES**

Standard ERALUX finish provides an elegant look to the fixture's housing.

\*Surface mount bracket not available for L, T, X shapes