

G5 Recessed T-grid

LINEAR FIXTURES

Linear Architectural Lighting



The G5 T-Grid series provide an unsurpassed flexibility for commercial offices. With a simple switch, the fixture can switch CCT and lumens. Long seamless rows are possible using custom lengths for starter, middle and ender. It is perfect for new buildings, upgrades and retrofit projects. This series has been redesigned to be easily mounted on most T grids ceilings.

eralux



DATE	
PROJECT NAME	
TYPE	
QTY	
ORDERING CODE	AE-SF-G5CA 010 -R-

OPERATING & ELECTRICAL

INPUT VOLTAGE	120-347V
POWER FACTOR	0.9
DIMMING	0-10V
TOTAL HARMONIC DISTORTION (THD)	<20%

PERFORMANCE

LUMENS PER WATT	105 LPW at 80CRI
POWER	40W
DISTRIBUTION	Cambertian

MECHANICAL & HOUSING

HOUSING	Extruded aluminum for increased rigidity and strength
LENS	Highly durable frosted polycarbonate and high transmittance lens
FINISH	Nebula White Atomic Black
POWER SUPPLY	Factory wired electronic LED driver
LED BOARD	Discrete LED

APPLICATION CONDITION

AMBIENT TEMPERATURE RANGE	-10°C to 40°C
---------------------------	---------------

COMPATIBLE MOUNTING

MOUNTING	Recessed (Non-IC rated)
----------	-------------------------

WARRANTY

SYSTEM WARRANTY – 5 YEARS

Eralux will warrant defective drivers, LEDs and boards for 5 years from the date of purchase. This warranty is valid only if the fixture is installed and used as per installation guides and specifications. If a defect is present, Eralux will send drivers and boards at no fee with a thorough replacement instructions along with instructions on the return of the defective parts back to Eralux.

LUMEN MAINTENANCE – L85 at 50,000 hours

Rated for 85% initial lumen output at 50,000 hours of operation, operated at 25°C ambient temperature; per guidelines published by the Illuminating Engineering Society (IES).

G5 Recessed T-grid

LINEAR FIXTURES

Linear Architectural Lighting

DATE	
PROJECT NAME	
TYPE	
QTY	
ORDERING CODE	AE-SF-G5CA 010 -R-

ORDERING GUIDE

EXAMPLE: AE-SF-G5CA44030/35/40010WH-R-A-1DIM

FIXTURE FAMILY	VOLTAGE	LENGTH	POWER	CCT	CONTROLS	FINISH	MOUNTING	TYPE	DIMMING
AE-SF-G5	CA				010		-R-		
AE-SF-G5 ERALUX G5 linear architectural fixture	CA 120-347Vac input voltage	2 2 feet	20 20 watts: 2,100 lumens	30/35/40 3000/3500/ 4000K selectable CCT	010 0-10V external dimming down to 10%	WH-GB ERALUX Nebula White	-R- Recessed mounted on T-grids	A Stand alone	[LEAVE BLANK] 0-10V Standard
		4 4 feet	40 40 watts: 4,200 lumens						
		5 5 feet		B Starter & Ender					
		6 6 feet	50 50 watts: 5,250 lumens			C Middle			
		8 8 feet	70 70 watts: 8,400 lumens						

CAUTION: If there are multiple fixtures connected to the same 0-10V dimming line, a 0-10V controller must be considered to enable consistent dimming across the fixtures. Failure to do so will lead to inconsistent dimming and behaviors in the fixtures. Single switch is not recommended for controlling multiple fixtures simultaneously.

* 1DIM available only in 120-277V, it works for 4,5,6,8 FT

Caution : Maximum of 300W per electrical drop

POWER SWITCHABLE OPTIONS

2FT		20 watts	20W- 2100 lms
4/5FT	Avg 105-120 LPW		20W - 2100 lms
		20/30/40 watts switchable	30W - 3150 lms
			40W - 4200 lms
6FT			30W - 3600 lms
		30/40/50 watts switchable	40W - 4800 lms
			50W - 6000 lms
8FT			40W - 4800 lms
		40/70 watts switchable	70W - 8400 lms

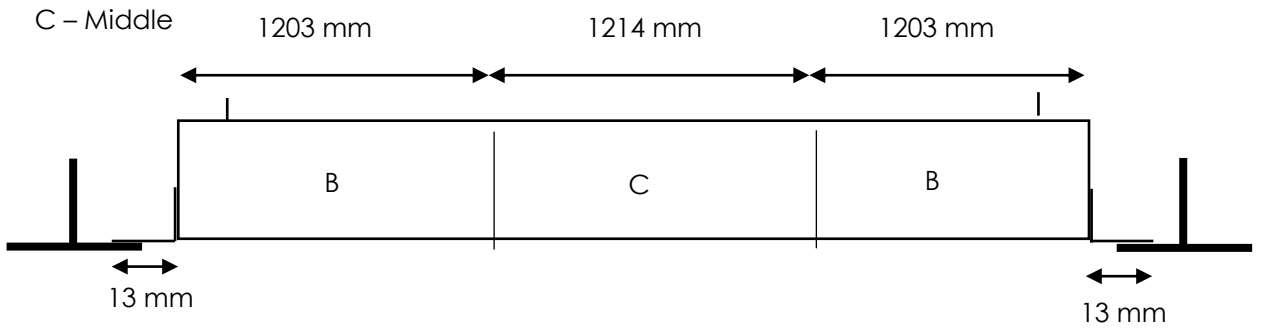
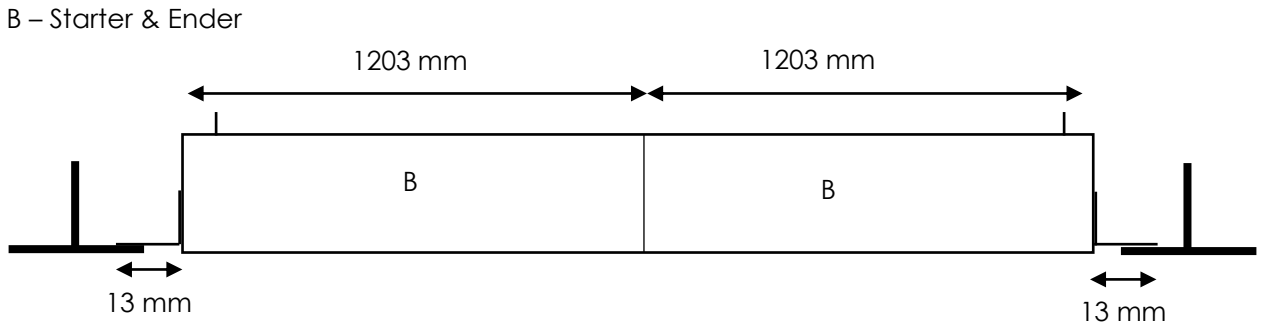
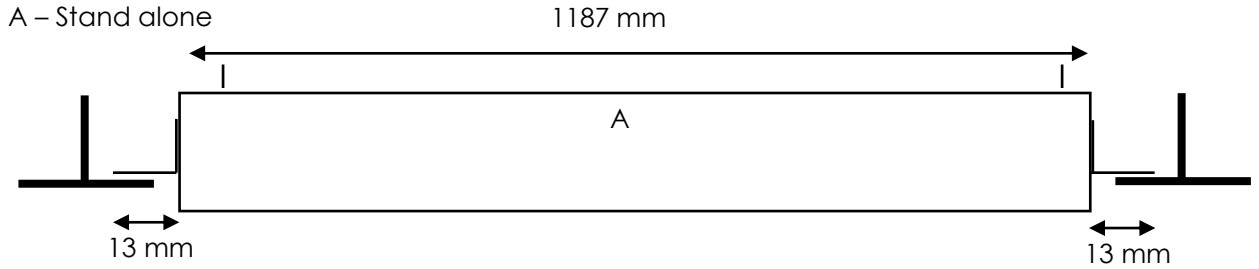
G5 Recessed T-grid

LINEAR FIXTURES

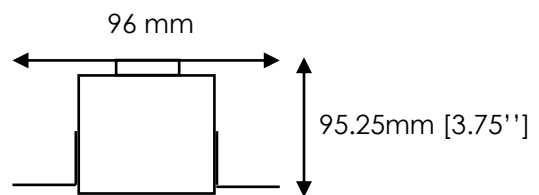
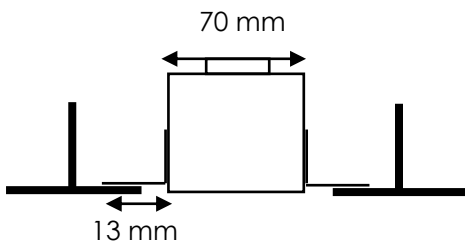
Linear Architectural Lighting

DATE	
PROJECT NAME	
TYPE	
QTY	
ORDERING CODE	AE-SF-G5CA 010 -R-

PRODUCT DIMENSION – 4FT



CROSS DIMENSIONS



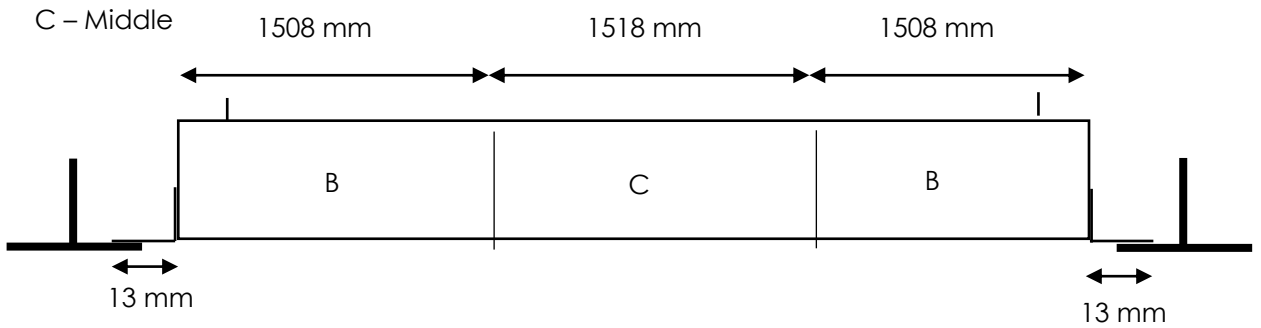
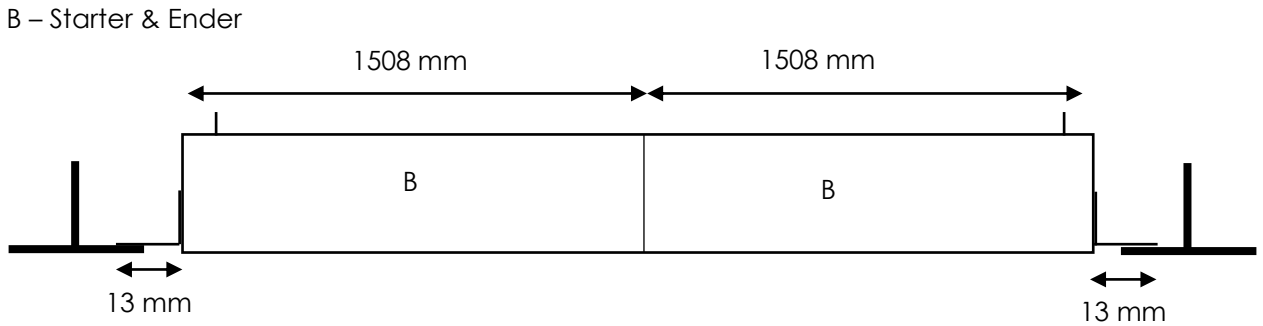
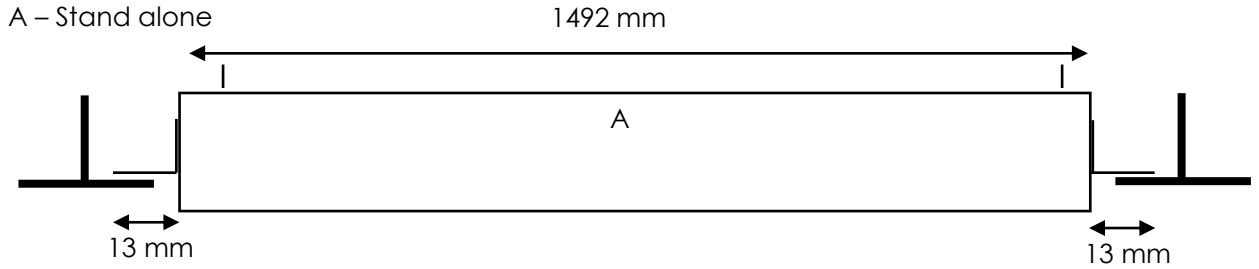
G5 Recessed T-grid

LINEAR FIXTURES

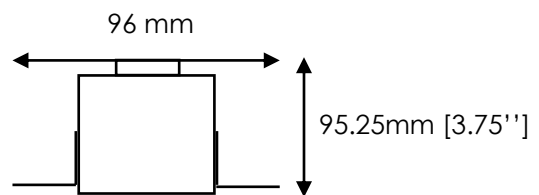
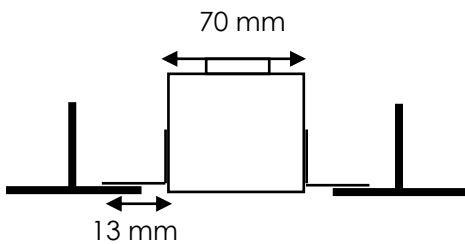
Linear Architectural Lighting

DATE	
PROJECT NAME	
TYPE	
QTY	
ORDERING CODE	AE-SF-G5CA 010 -R-

PRODUCT DIMENSION – 5FT



CROSS DIMENSIONS



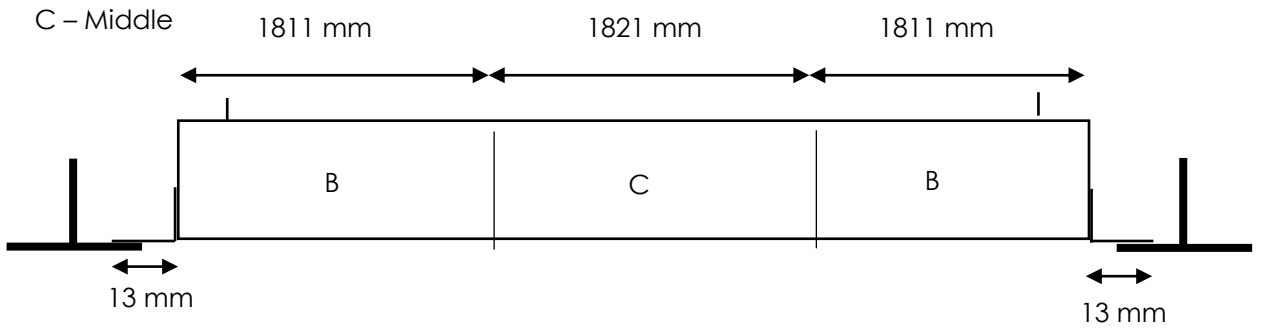
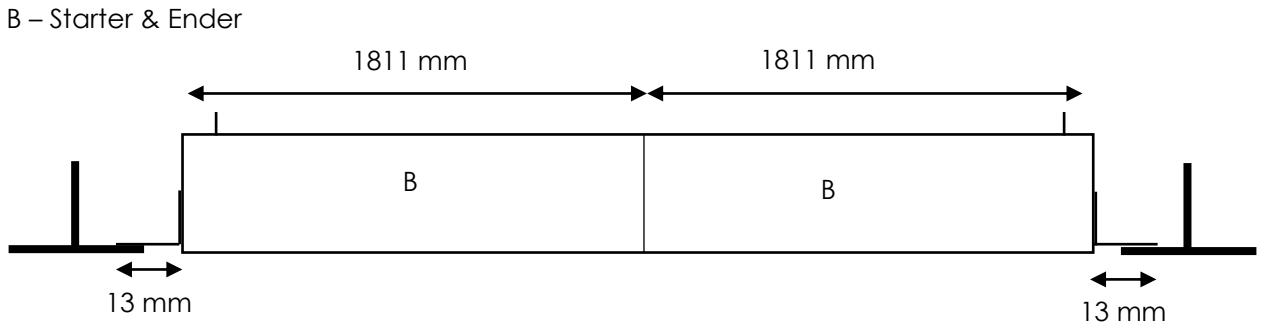
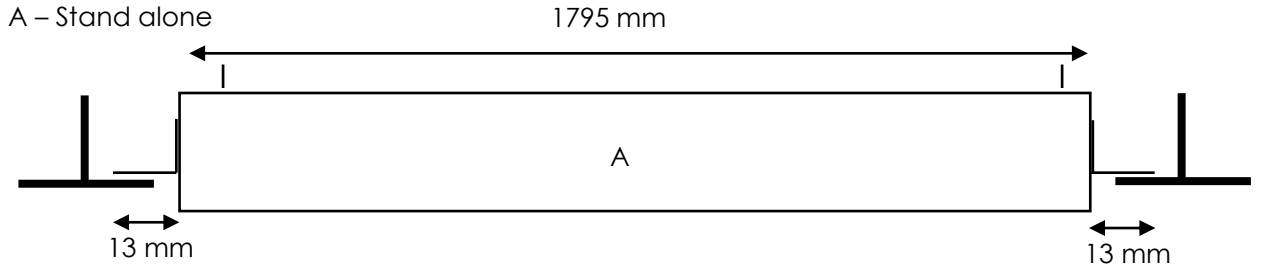
G5 Recessed T-grid

LINEAR FIXTURES

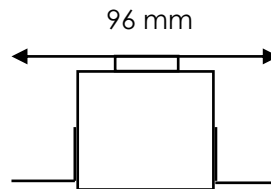
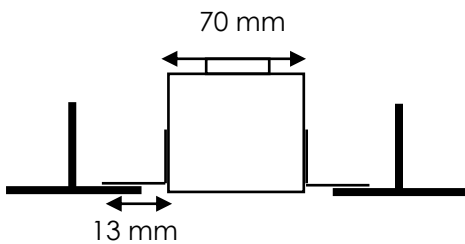
Linear Architectural Lighting

DATE	
PROJECT NAME	
TYPE	
QTY	
ORDERING CODE	AE-SF-G5CA 010 -R-

PRODUCT DIMENSION – 6FT



CROSS DIMENSIONS



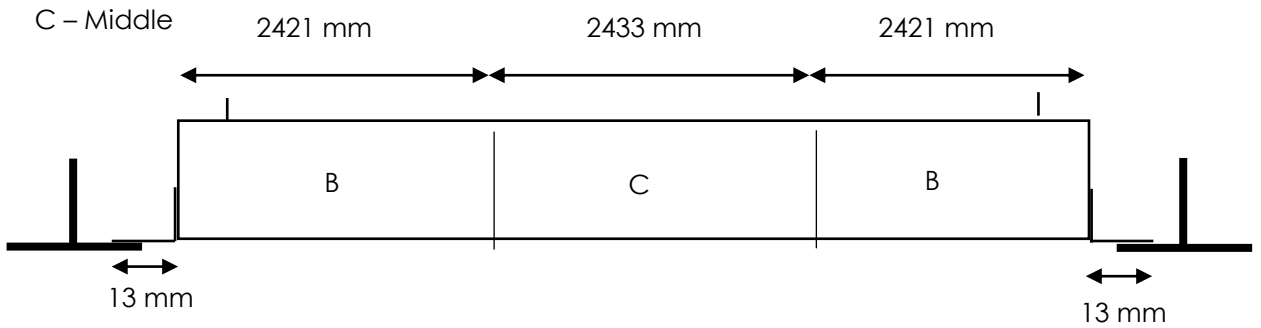
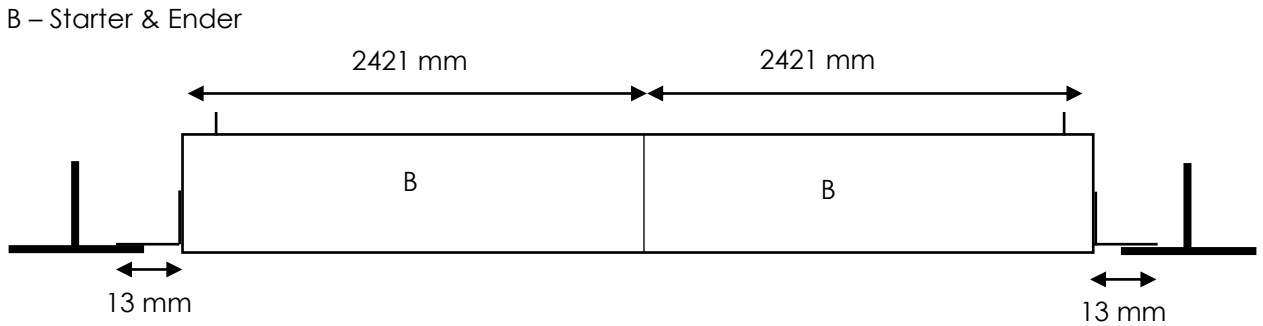
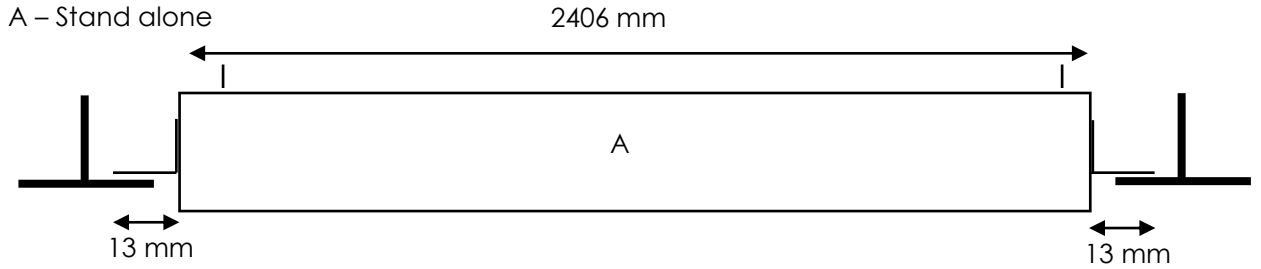
G5 Recessed T-grid

LINEAR FIXTURES

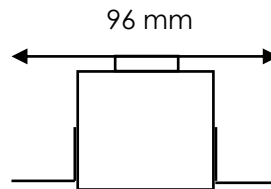
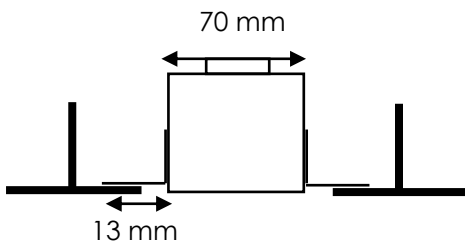
Linear Architectural Lighting

DATE	
PROJECT NAME	
TYPE	
QTY	
ORDERING CODE	AE-SF-G5CA 010 -R-

PRODUCT DIMENSION – 8FT



CROSS DIMENSIONS



G5 Recessed T-grid

LINEAR FIXTURES

Linear Architectural Lighting

DATE	
PROJECT NAME	
TYPE	
QTY	
ORDERING CODE	AE-SF-G5CA 010 -R-

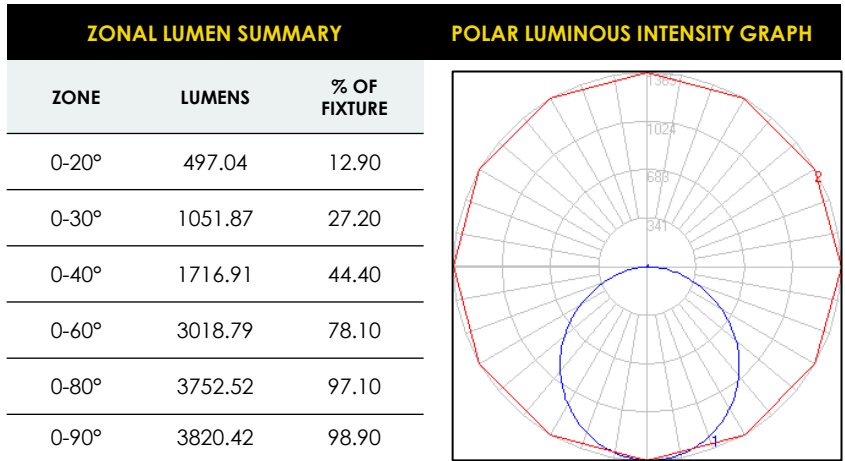
LUMEN ESTIMATE

Lumen output varies based on CCT and CRI. An estimate of lumen output of the various CCT/CRI combinations, use correction factors as per table below:

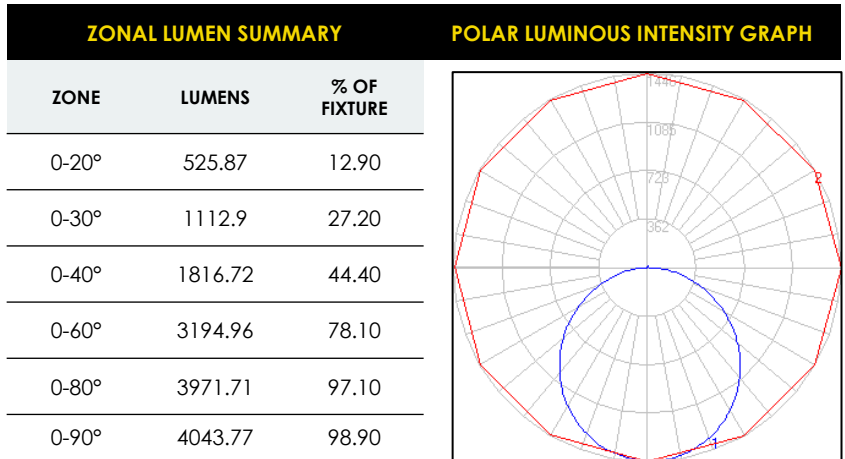
LUMEN ESTIMATE ADJUSTMENT FACTORS				
CCT	2700K	3000K	3500K	4000K
NORMAL (80CRI)	.91	.94	.97	1

PHOTOMETRIC DATA

AE-SF-
G5CA44030/35/40010XX-GB
(3000K)
4 FEET
40 WATTS
4000K



AE-SF-
G5CA44030/35/40010XX-GB
(4000K)
4 FEET
40 WATTS
4000K



G5 Recessed T-grid

LINEAR FIXTURES

Linear Architectural Lighting

DATE					
PROJECT NAME					
TYPE					
QTY					
ORDERING CODE	AE-SF-G5CA			010	-R-

OVERVIEW



Easily removable fixture top



Mounting Bracket



Link



Mounting Bracket



Power Cord

ACCESSORIES

Adjustable mounting brackets ensure safe and easy installation on T-grids.

COLOR SELECTABLE

Use the exposed DIP switch to change between 3 CCT variations from warm to cool light.

CONTINUOUS RUNS

Easily connect multiple fixtures together for continuous mounting configuration.

FINISHES

Standard ERALUX anti-glare white and black finishes reduce object glare and provide an elegant look to the fixture's housing.