



MAVEN CANOPY

SURFACE MOUNT CANOPY

Canopy Light



The Maven CANOPY was made for quick and easy installation without a pre-existing track system. A perfect combination with the other MAVEN series' track lights, MAVEN CANOPY attaches seamlessly to the surface of your choice. Available in various CCT, and adapter options, MAVEN provides an even distribution at various beam angles. The LED head is adjustable for a 355-degree rotation, and able to bend up to 90 degrees for a wide range in motion.

DATE	
PROJECT NAME	
TYPE	
QTY	
ORDERING CODE	AE-TL-MVC12 P

OPERATING & ELECTRICAL

INPUT VOLTAGE	120V
POWER FACTOR	>0.9
TOTAL HARMONIC DISTORTION (THD)	<30%

PERFORMANCE

LUMENS PER WATT	73-78 LPW at 90CRI
POWER CONSUMPTION	10.5W
DISTRIBUTION	Narrow Flood Flood Wide Floor

MECHANICAL & HOUSING

HOUSING	Aluminum die cast
LENS	Highly durable polycarbonate and high transmittance lens
FINISH	Black, White, Silver
POWER SUPPLY	Not Applicable
LED BOARD	AC LED

APPLICATION CONDITION

AMBIENT TEMPERATURE RANGE	-10 °C to 35°C
---------------------------	----------------

COMPATIBLE MOUNTING

MOUNTING	Canopy
----------	--------

WARRANTY

SYSTEM WARRANTY – 3 YEARS

Eralux will warrant defective drivers, LEDs and boards for 3 years from the date of purchase. This warranty is valid only if the fixture is installed and used as per installation guides and specifications. If a defect is present, Eralux will send drivers and boards at no fee with a thorough replacement instructions along with instructions on the return of the defective parts back to Eralux.

LUMEN MAINTENANCE – L70 at 30,000 hours

Rated for 70% initial lumen output at 30,000 hours of operation, operated at 25°C ambient temperature; per guidelines published by the Illuminating Engineering Society (IES)

MAVEN CANOPY

SURFACE MOUNT CANOPY
Canopy Light

DATE	
PROJECT NAME	
TYPE	
QTY	
ORDERING CODE	AE-TL-MVC12
	P

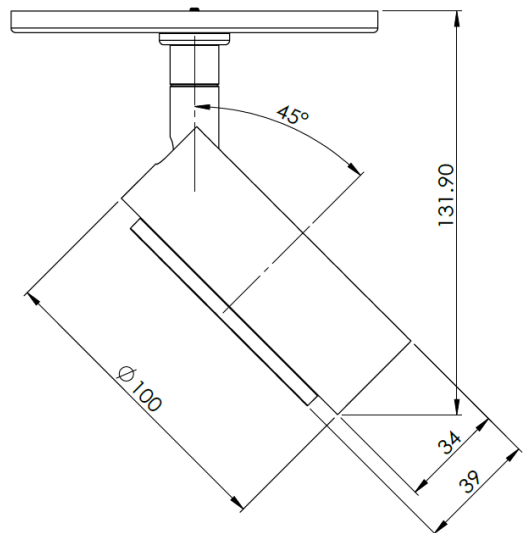
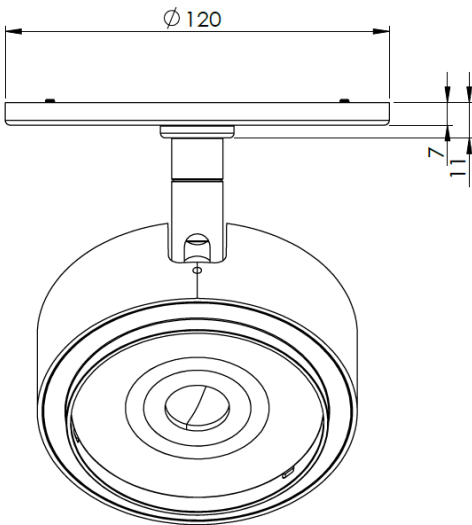
ORDERING GUIDE

EXAMPLE: AE-TL-MVC12FLP30BK

FIXTURE FAMILY	VOLTAGE	DISTRIBUTION	CRI	CCT	FINISH
AE-TL-MVC	12		P		
AE-TL-MVC ERALUX MAVEN CANOPY light	12 120V	NF Narrow Flood distribution - 26° 10.5 watts: 819 lumens at 4000K CBCP 90CRI: 2750	P Premium 90 CRI	30 3000K CCT	BK Black powder coat finish
		FL Flood light distribution - 38° 10.5 watts: 819 lumens at 4000K CBCP 90CRI: 1700		40 4000K CCT	WH White powder coat finish
		WF Wide Flood light distribution - 66° 10.5 watts: 819 lumens at 4000K CBCP 90CRI: 620			SV Silver powder coat finish

PRODUCT DIMENSIONS

AE-TL-MVC12XXPXXXX



MAVEN CANOPY

SURFACE MOUNT CANOPY
Canopy Light

DATE				
PROJECT NAME				
TYPE				
QTY				
ORDERING CODE	AE-TL-MVC12		P	

LUMEN ESTIMATE

Lumen output varies based on CCT and CRI. An estimate of lumen output of the various CCT/CRI combinations, use correction factors as per table below:

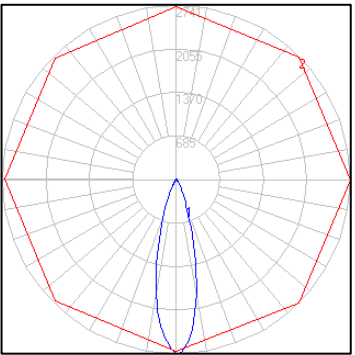
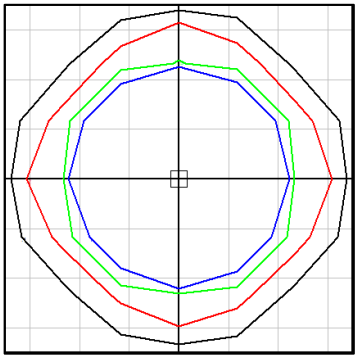
LUMEN ESTIMATE ADJUSTMENT FACTORS		
CCT	3000K	4000K
PREMIUM (90CRI)	.86	.93

PHOTOMETRIC DATA

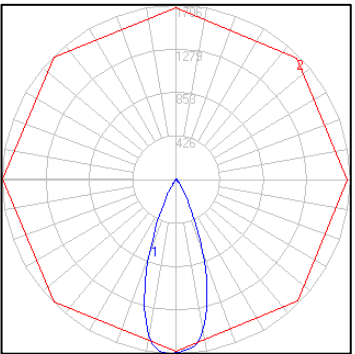
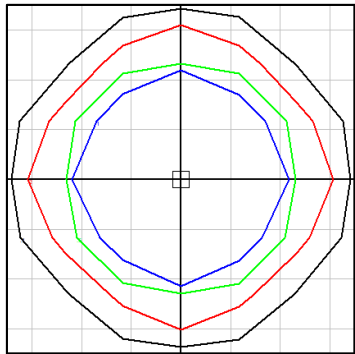
GRID DISTANCES WITH A MOUNTING HEIGHT OF 10' AFG

POLAR LUMINOUS INTENSITY GRAPHS

AE-TL-MVC12NFPXXXX



AE-TL-MVC12FLPXXXX



DIMMER COMPATIBILITY LIST

TRIAC/ELV Dimmer @120VAC
Lutron N-600-AL
Lutron DVELV-300P-WH
Lutron CTCL-153P
LEVITON IPL06

MAVEN CANOPY

SURFACE MOUNT CANOPY

Canopy Light

DATE				
PROJECT NAME				
TYPE				
QTY				
ORDERING CODE	AE-TL-MVC12		P	

OVERVIEW



MONOPOINT CANOPY MOUNT

Standalone canopy mount option provide Maven series with more possibility and could be apply to unique project, making the track system eliminable.

PREMIUM DESIGN

Aluminum die-cast materials selected for efficient thermal heat dissipation, enhanced structural rigidity maximizing LED life and driver function.

PAINT FINISH

Factory standard in black, white, and silver. Contact for custom paint finishes to enhance your fixture to suit your project space.

MULTIPLE OPTIONS

Customize your track head by selecting from a variety of CCT options allowing you to have a unique fixture that suits your project.

EFFICIENT DESIGN

Integrated components allow for small stem and clean aesthetic appearance. The LED head is adjustable for a 355-degree rotation, and able to bend up to 90 degrees for a wide range in motion.