

MONT BLANC EVOLVE CA



RECESSED COMMERCIAL LUMINAIRES

Volumetric troffer

The Mont Blanc series is an ideal solution for anyone looking to minimize waste, reduce install time and a revitalized ceiling. This product differentiates itself through its ease of install and access for maintenance. The Mont Blanc Evolve features a switchable CCT (3500K, 4000k, OR 5000k) and switchable power levels (3 power levels for both 2x2 and 2x4) for the fixture. This enables customization on site during final installation and provides an unparalleled level of flexibility.

eralux®



DATE				
PROJECT NAME				
TYPE				
QTY				
ORDERING CODE	AE-RC-MBCA	LBN		WH

OPERATING & ELECTRICAL

INPUT VOLTAGE	120-347Vac
POWER FACTOR	0.9
DIMMING	0-10V
TOTAL HARMONIC DISTORTION (THD)	<20%

PERFORMANCE

LUMENS PER WATT	~130 LPW at 80CRI
POWER	24, 30, 36, 45W
DISTRIBUTION	Lambertian

MECHANICAL & HOUSING

HOUSING	22-gauge painted sheet metal
LENS	Polycarbonate diffuser ensures high efficiency light output for a clean, evenly illuminated surface with minimal glare while maintaining minimal thickness
FINISH	White
POWER SUPPLY	Factory wired electronic LED driver
LED BOARD	Light emitted source

APPLICATION CONDITION

AMBIENT TEMPERATURE RANGE	-25°C to 40°C
PROTECTION	NON-IC rated
CERTIFICATION	DLC, ETL certified

COMPATIBLE MOUNTING

MOUNTING	DX, DXT grid, surface Mount
----------	-----------------------------

WARRANTY

SYSTEM WARRANTY – 5 YEARS

Eralux will warrant defective drivers, LEDs and boards for 5 years from the date of purchase. This warranty is valid only if the fixture is installed and used as per installation guides and specifications. If a defect is present, Eralux will send drivers and boards at no fee with a thorough replacement instructions along with instructions on the return of the defective parts back to Eralux.

LUMEN MAINTENANCE – L70 at 50,000 hours

Rated for 70% initial lumen output at 50,000 hours of operation, operated at 25°C ambient temperature; per guidelines published by the Illuminating Engineering Society (IES).

MONT BLANC EVOLVE CA

RECESSED COMMERCIAL LUMINAIRES

Volumetric troffer

DATE				
PROJECT NAME				
TYPE				
QTY				
ORDERING CODE	AE-RC-MBCA	LBN		WH

ORDERING GUIDE

EXAMPLE: AE-RC-MBCA22LBN35/40/50010WH

FIXTURE FAMILY	VOLTAGE	SIZE & POWER	DISTRIBUTION	CRI	CCT	CONTROL	FINISH	OPTIONS
AE-RC-MB	CA		LB	N			WH	
AE-RC-MB ERALUX Mont Blanc EVOLVE recessed commercial office volumetric troffer	CA 120-347Vac	22 2 x 2 feet 24/30/36 Watts selectable: 3120/3900/4680 lumens selectable	LB 120° Lambertian distribution	N Normal 80 CRI	30/35/40 3000/3500/4000K selectable CCT	010 0-10V external dimming down to 10% MS1 Motion Sensor	WH White	[BLANK] No Option
		24 2 x 4 feet 24/36/45 Watts selectable: 3120/4680/5850 lumens selectable			35/40/50 3500/4000/5000K selectable CCT			EM* Emergency Battery Back-up
								-AWNS*** Lutron Smart Control with Sensor

*EM – 8 W Battery: 90 minutes

**AWNR – Lutron Athena Wireless Node integral fixture control (RF only)

***AWNRS – Lutron Athena Wireless Node integral fixture control (RF with daylight and occupancy sensing)

Lumen estimate adjustment factors

CCT	2700K	3000K	3500K	4000K
NORMAL (80CRI)	0.91	0.94	0.97	1

MONT BLANC EVOLVE CA

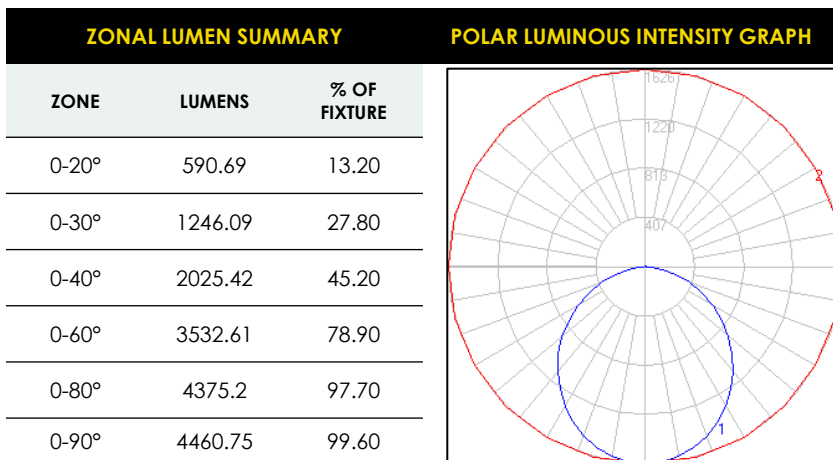
RECESSED COMMERCIAL LUMINAIRES

Volumetric troffer

DATE				
PROJECT NAME				
TYPE				
QTY				
ORDERING CODE	AE-RC-MBCA	LBN		WH

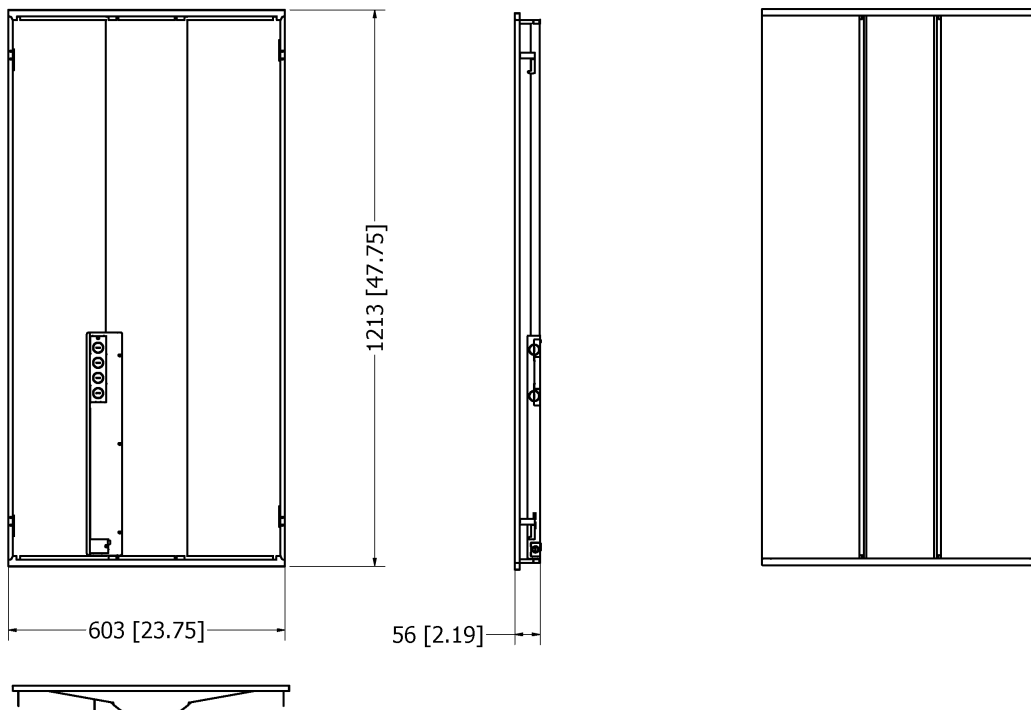
PHOTOMETRIC DATA

AE-RC-MBCA22LBN35/40/50010WH
 (45W 4000K)
 2*2 FEET
 CCT SELECTABLE



PRODUCT DIMENSIONS

AE-RC-MBXX24-



MONT BLANC EVOLVE CA

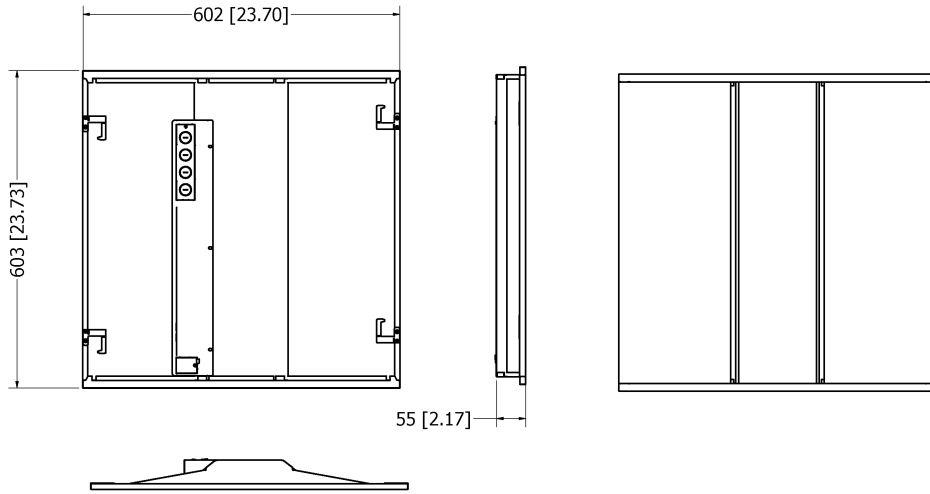
RECESSED COMMERCIAL LUMINAIRES

Volumetric troffer

DATE				
PROJECT NAME				
TYPE				
QTY				
ORDERING CODE	AE-RC-MBCA	LBN		WH

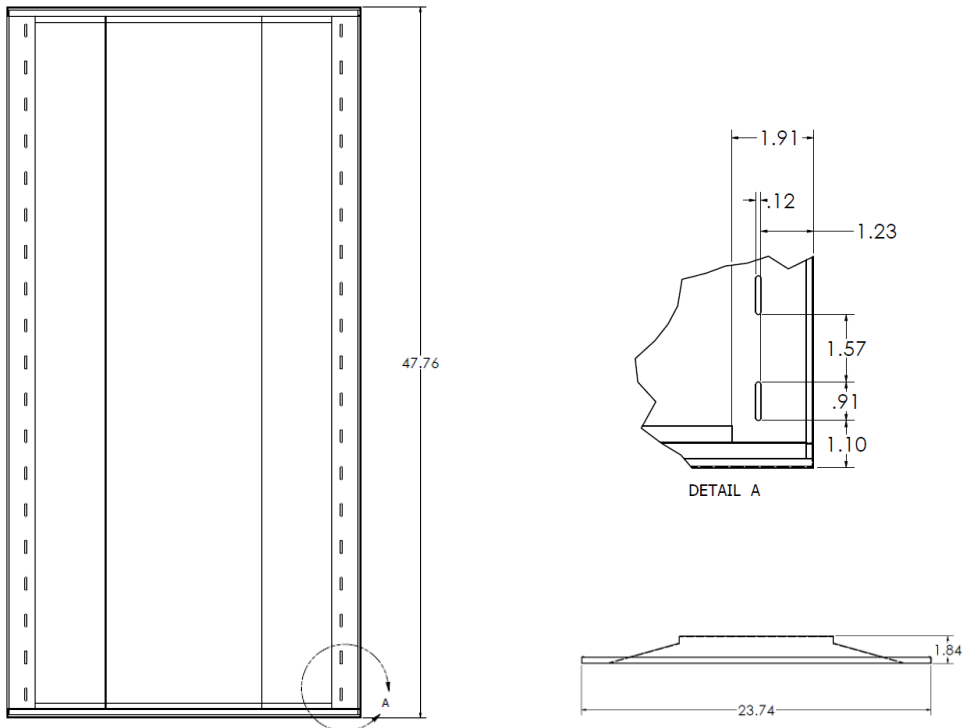
PRODUCT DIMENSIONS

AE-RC-MBXX22-



AIR RETURN SLOTS:

AE-RC-MBXX24LBN30/35/40XXXWH-AR



ALL DIMENSIONS IN INCHES

MONT BLANC EVOLVE CA

RECESSED COMMERCIAL LUMINAIRES

Volumetric troffer

DATE				
PROJECT NAME				
TYPE				
QTY				
ORDERING CODE	AE-RC-MBCA	LBN		WH

ACCESSORIES

Ordered separately, field installed

GYP SUM KIT

Recessed Gypsum



DIMENSIONS

LENGTH	LENGTH	WIDTH	HEIGHT
2 X 4	1247 mm 49.1"	638 mm 25.1"	38mm 1.5"
2 X 2	638 mm 25.1"	638 mm 25.1"	38mm 1.5"
1 X 4	1247 mm 49.1"	338 mm 13.3"	38mm 1.5"

ORDERING CODE

AE-RC-MBGYPK1X4

AE-RC-MBGYPK2X2

AE-RC-MBGYPK2X4

SURFACE MOUNT KIT

DX,DXT GRID, Surface Mount



DIMENSIONS

LENGTH	LENGTH	WIDTH	HEIGHT
2 X 4	1219 mm 48"	609 mm 24"	50 mm 2"
2 X 2	609 mm 24"	609mm 24"	50mm 2"
1 X 4	1219 mm 48"	309 mm 12.2"	50 mm 2"

ORDERING CODE

AE-RC-MBSMK14

AE-RC-MBSMK22

AE-RC-MBSMK24

HANGING KIT



ORDERING CODE

AE-RC-MB-HK

DATE				
PROJECT NAME				
TYPE				
QTY				
ORDERING CODE	AE-RC-MBCA	LBN		WH

ACCESSORIES (Continued)

Ordered separately, field installed

EMERGENCY LED DRIVER (BLD-HMXXD-YYY)

BLD-HM8D-YYY

OUTPUT POWER : 8 WATTS

BLD-HM25D-YYY

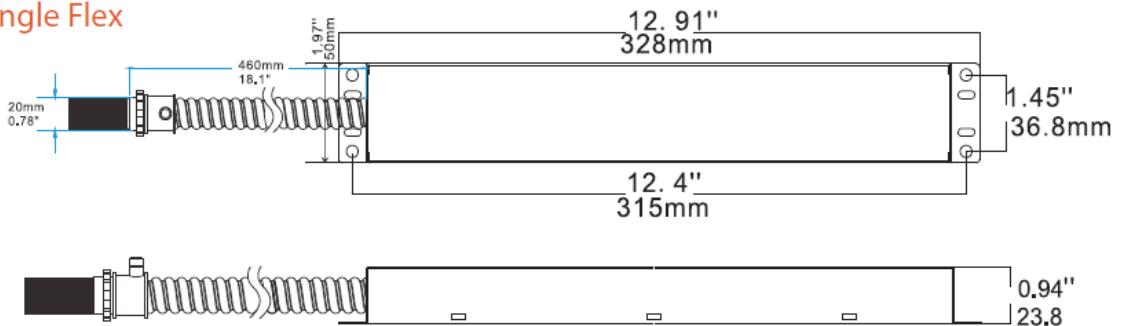
OUTPUT POWER : 25 WATTS



BLD-HMXXD-YYY series LED Emergency Driver is UL listed for field and factory installation that allows the same LED fixture to be used for both normal and emergency operation . In the event of a power failure , the emergency driver switches to emergency mode and operates the existing. Fixture to 90 minutes. The unit contains a battery , charge , and converter circuit in a single enclosure .This module will operate an LED array load at 6-25W with constant power at a rated output voltage of 170VDC. The constant power design of BLD-HMXXD-YYY maintains the output wattage to LED array, providing consistent illumination for entire emergency runtime. Ideal for use with most 0-10V dimmable indoor commercial LED lighting fixtures, such as LED flat panel, troffer, downlight and suspension mounting LED linear strip lights, etc.

DIMENSIONS (inches and mm)

Single Flex



MONT BLANC EVOLVE CA

RECESSED COMMERCIAL LUMINAIRES

Volumetric troffer

DATE				
PROJECT NAME				
TYPE				
QTY				
ORDERING CODE	AE-RC-MBCA	LBN		WH

DLC MODELS

DLC MODEL	PRODUCT ID
AE-RC-MBCA2224N35/40/50010WH[EM,MS,BM,2.4G,Blank]	S-UJS38P
AE-RC-MBCA2230N35/40/50010WH[EM,MS,BM,2.4G,Blank]	S-KCPBNE
AE-RC-MBCA22LBN35/40/50010WH[EM,MS,BM,2.4G,Blank]	S-XKYWRV
AE-RC-MBCA2424N35/40/50010WH[EM,MS,BM,2.4G,Blank]	S-O4BXZJ
AE-RC-MBCA2436N35/40/50010WH[EM,MS,BM,2.4G,Blank]	S-6S8LFU
AE-RC-MBCA24LBN35/40/50010WH[EM,MS,BM,2.4G,Blank]	S-YH4LOB
AE-RC-MBCA25LBN35/40/50010WH	S-89G2SX

DIMMER COMPATIBILITY LIST

0-10V Dimmer
LEGRAND RH4FBL3PTC
LUTRON DVS7V-WH
LEVITON IP710-LFZ

0-10V Dimmer
EATON WBSD-010SLD
LEVITON DS710
LUTRON MS-Z101
HUBBEL LHDIRS3N

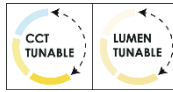
MONT BLANC EVOLVE CA

RECESSED COMMERCIAL LUMINAIRES

Volumetric troffer

DATE				
PROJECT NAME				
TYPE				
QTY				
ORDERING CODE	AE-RC-MBCA	LBN		WH

OVERVIEW



2 x 4 feet
24/36/45 Watts



2 x 2 feet
24/30/36 Watts

AIR RETURN - AR



COLOR SELECTABLE

Use the exposed DIP switch to change between 3 CCT variations from warm to cool light (3500K, 4000K, 5000K or 3000K, 35000K, 4000K) and switchable power levels (3 power levels for both 2x2 and 2x4) for the fixture. This enables customization on site during final installation and provides an unparalleled level of flexibility.

EASE OF INSTALLATION

Easy installation process provides quick access for maintenance make it desirable for variety kinds of office ceilings.

FLEXIBLE MOUNTING OPTIONS

Choose conventional grid installation or surface mounting installation style with assistance of surface mount kit for both 2x2 and 2x4 fixture size.