

# CHANDRA MINI DTW



## TRACK LED LIGHT

### Cylinder Track Head | 1.75" Aperture | Dim To Warm

The CHANDRA DTW is a cutting-edge fixture from the Chandra family, featuring a dim-to-warm function that transitions from 3000K to a cozy 1800K as it dims. Available in various beam patterns mounting options and boasting a 90 CRI, this fixture enhances your space by the multiple accessories, bezel and fixture finishes. This track head creates inviting atmosphere reminiscent of a sunset. Elevate your space with the CHANDRA DTW!

Applications: Art Galleries | Show Rooms | Retail Stores | Hospitality.

	DATE	QTY	ACC. QTY	TYPE
PROJECT				
PN				
ACCESSORY PN				
NOTES				

### DYNAMIC MENU

Order Information	<a href="#">Page 2</a>
Dimensions	<a href="#">Page 3</a>
Accessories	<a href="#">Page 4</a>
Photometric Data	<a href="#">Page 6</a>

[Install Instruction link](#)

### SPECIFICATIONS

Input Voltage	120V
Power Factor	>0.9
Total Harmonic Distortion	<20%
Dimming <a href="#">Page 5</a>	TRIAC dimming
CRI	90 CRI
CCT	
Efficacy	78 lm/W
Power	13.5W
Ambient Temperature Range	-10°C to 35°C
Mounting Adapter	Juno   Global   Halo   Lightolier
Mounting Options	Track System   Monopoint
Fixture Finish	Black   White   Silver
Bezel Finish	Black   Bronze   Gold
Optical Accessories	Hexcel   Snoot
	Narrow   Flood   Wide   Very Wide
Distribution	



### PRODUCT FEATURES



### PRODUCT CERTIFICATIONS



### SYSTEM WARRANTY – 5 YEARS

Eralux will warrant defective drivers, LEDs and boards for 5 years from the date of purchase. This warranty is valid only if the fixture is installed and used as per installation guides and specifications. If a defect is present, Eralux will send drivers and boards at no fee with a thorough replacement instructions along with instructions on the return of the defective parts back to Eralux.

### LUMEN MAINTENANCE – L70 at 50,000 hours

Rated for 70% initial lumen output at 50,000 hours of operation, operated at 25°C ambient temperature; per guidelines published by the Illuminating Engineering Society (IES).

# CHANDRA MINI DTW

## TRACK LED LIGHT

Cylinder Track Head | 1.75" Aperture | Dim To Warm

### ORDERING GUIDE

<b>AE-TL-CDM-DTW</b>	<b>12</b>		<b>P</b>	<b>3018</b>			
<b>AE-TL-CDM-DTW</b> ERALUX Chandra Mini DTW Track Head 120Vac Input	<b>12</b> 120 VAC 13.5 watt 1050 lumens	<b>NF</b> Narrow Flood 18° <b>FL</b> Flood 25° <b>WF</b> Wide Flood 37° <b>VWF</b> Very Wide Flood 56°	<b>P</b> Premium 90 CRI	<b>3018</b> Dim to Warm 3000K-1800K	<b>[BLANK]</b> Black <b>BZ</b> Bronze <b>GD</b> Gold	<b>J1</b> Juno <b>G1</b> Global <b>H1</b> Halo <b>L1</b> Lightolier	<b>BK</b> Black powder coat <b>WH</b> White powder coat <b>SV</b> Silver powder Coat

Fixture Family	Wattage	Distribution	CRI	CCT	Bezel Finish	Adapter	Finish
----------------	---------	--------------	-----	-----	--------------	---------	--------

### ORDERING GUIDE-ACCESSORIES

Ordered separately

<b>AE-TL-CDM-</b> ERALUX Chandra Mini DTW Track Head	<b>HX</b> Hex louver <b>SNT-BK</b> Black Snoot <b>SNT-WH</b> White Snoot	<b>T10016</b> Monopoint Mounting <b>T10017</b> Duopoint Mounting	<b>BK</b> Black <b>WH</b> White
---	---	---	--

Fixture Family	Optics	Mounting	Finish
----------------	--------	----------	--------

### ORDERING GUIDE- TRACK SYSTEM

Track system and components are ordered with the track head if needed.

Refer to the links below for more information

**T1**  
ERALUX Track T1  
Compatible with Juno system-1 circuit

**T2**  
ERALUX Track T2  
Compatible with Juno system-2 circuit

**H1**  
ERALUX Track H1  
Compatible with Halo system-1 circuit

- 2** 2ft track
- 4** 4ft track
- 6** 6ft track
- 8** 8ft track
- 12** 12ft track
- 0001** Mini I Connector
- 0002** T Connector
- 0003** L Connector
- 0004** X Connector
- 0015** End Feed

**-BK**  
Black Finish

**-WH**  
White Finish


Track System	Components	Finish	PN	QTY
--------------	------------	--------	----	-----

# CHANDRA MINI DTW

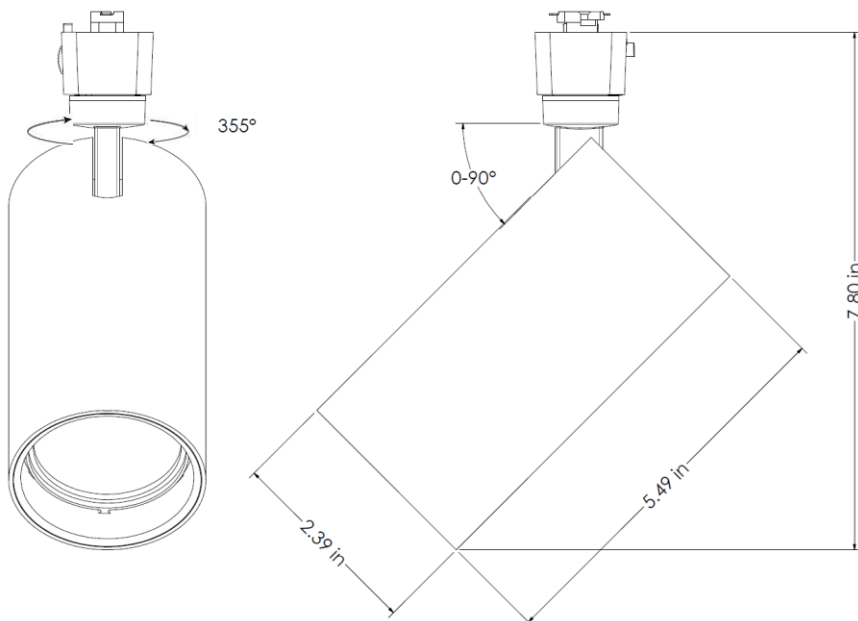
## TRACK LED LIGHT

Cylinder Track Head | 1.75" Aperture | Dim To Warm

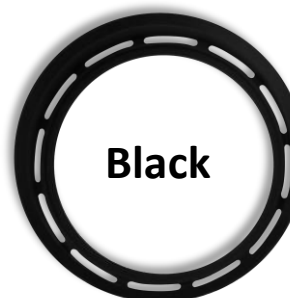
### DIMENSIONS

AE-TL-CDM-DTW12

- Rotation up to 355°
- Tilt +/- 90°



### BEZEL OPTIONS



## TRACK LED LIGHT

Cylinder Track Head | 1.75" Aperture | Dim To Warm

### ACCESSORIES

#### OPTICAL

ORDERING CODE	DESCRIPTION	PICTURE
AE-TL-CDM-HX	Hex louver Reduce the glare of the light source and luminaire	
AE-TL-CDM-SNT-BK	Black Snoot Control the direction and radius of the light beam	
AE-TL-CDM-SNT-WH	White Snoot Control the direction and radius of the light beam	

### MOUNTING

ORDERING CODE	DESCRIPTION	PICTURE
T10016 -WH -BK	Monopoint adapter Surface / wall mount Compatible with Juno system 1 Track head can be installed.	
T10017 -WH -BK	Duopoint adapter Surface / wall mount Compatible with Juno system. 2 Track heads can be installed.	

## TRACK LED LIGHT

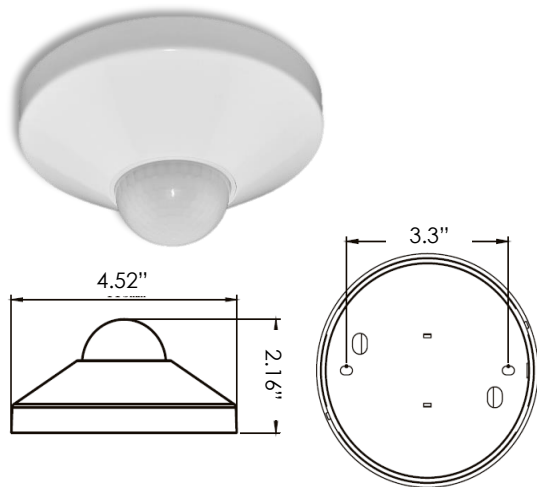
Cylinder Track Head | 1.75" Aperture | Dim To Warm

### ROOM OCCUPANCY SENSOR

Ordered separately, field installed

PART NUMBER	DESCRIPTION
AE-CT-DT806	Line Voltage Motion Sensor
RC102	RC102 Remote Control

SPECIFICATIONS		
<b>Input Voltage</b>	120-277 Vac	
<b>Power Frequency</b>	50/60HZ	
<b>Rated Load</b>	At 120 Vac	800W
	At 277 Vac	1200W
<b>Detection Range</b>	3-10 Meters	
	9.8-32.75 Feet	
<b>Standby Power</b>	~0.9W	
<b>Time Setting</b>	10 sec to 30 min	
<b>Light Control</b>	10-2,000LUX	
<b>Installation</b>	Ceiling Mounted	



### DIMMER COMPATIBILITY LIST

TRIAC/ELV Dimming

Brand	Model	Brand	Model
Leviton	6602-X	Lutron	SLV-600X
	6681-X		S2-LX
	6683-X		GL-600H
	6684-X		NFTU-5A
	700-X		DVLV-600P
	705-X	Cooper	9530XXX
	6633	Lightolier	MP600X
	6674	Advance	SR150LED120
	IPI06-1LZ		

## TRACK LED LIGHT

Cylinder Track Head | 1.75" Aperture | Dim To Warm

### LUMEN ESTIMATE

Lumen output varies based on CCT and CRI. An estimate of lumen output of the various CCT/CRI combinations, use the table below:

LUMEN ESTIMATE ADJUSTMENT FACTORS				
CCT	2700K	3000K	3500K	4000K
PREMIUM (90CRI)	0.83	0.86	0.93	0.93

### PHOTOMETRIC DATA

PART NUMBER		ZONAL LUMEN SUMMARY			POLAR LUMINOUS INTENSITY
AE-TL-CDM-DTW12NFP3018XX		Zone	Lumens	% Fixture	Direct Light
Wattage	13.5W	0-20°	794.18	73.5	
CCT	3000K	0-30°	917.29	84.9	
Distribution	18°	0-40°	971.82	90	
CBCP	7530	0-60°	1024.55	94.8	
		0-80°	1047.45	97	
		0-90°	1053.17	97.5	

PART NUMBER		ZONAL LUMEN SUMMARY			POLAR LUMINOUS INTENSITY
AE-TL-CDM-DTW12NFP3018XX		Zone	Lumens	% Fixture	Direct Light
Wattage	19.5W	0-20°	831	75.1	
CCT	3000K	0-30°	938.19	84.8	
Distribution	25°	0-40°	987.95	89.3	
CBCP	5000	0-60°	1046.63	94.6	
		0-80°	1073.49	97	
		0-90°	1079.24	97.5	

PART NUMBER		ZONAL LUMEN SUMMARY			POLAR LUMINOUS INTENSITY
AE-TL-CDM-DTW12NFP3018XX		Zone	Lumens	% Fixture	Direct Light
Wattage	19.5W	0-20°	647	58.5	
CCT	3000K	0-30°	915.46	82.7	
Distribution	37°	0-40°	984.97	89	
CBCP	2450	0-60°	1047.25	94.7	
		0-80°	1073.76	97.1	
		0-90°	1079.77	97.6	

PART NUMBER		ZONAL LUMEN SUMMARY			POLAR LUMINOUS INTENSITY
AE-TL-CDM-DTW12NFP3018XX		Zone	Lumens	% Fixture	Direct Light
Wattage	13.5W	0-20°	399.62	37.4	
CCT	3000K	0-30°	726.02	67.9	
Distribution	56°	0-40°	930.71	87.1	
CBCP	1220	0-60°	1015.88	95	
		0-80°	1038.02	97.1	
		0-90°	1043.48	97.6	

## TRACK LED LIGHT

Cylinder Track Head | 1.75" Aperture | Dim To Warm

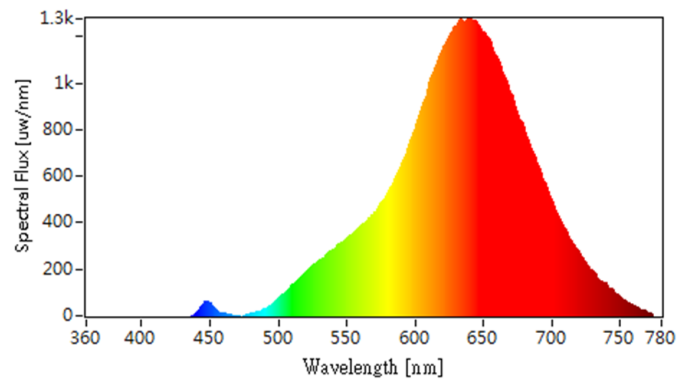
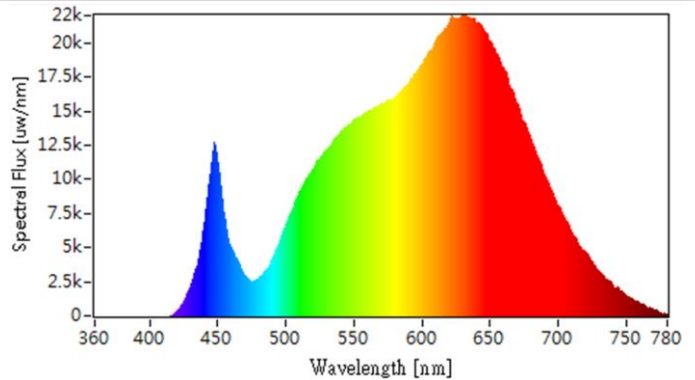
### LUMEN SPECTRAL

#### AE-TL-CDM-DTW12WFP3018XXXX

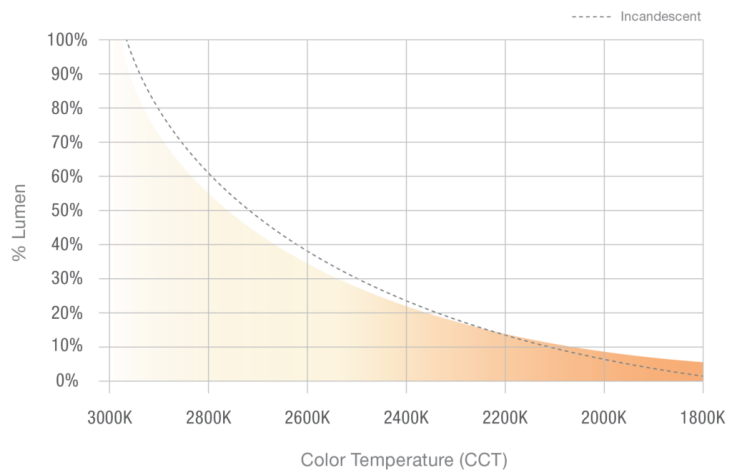
<b>Wattage</b>	13.5W
<b>CCT</b>	3000K
<b>Distribution</b>	24°

#### AE-TL-CDM-DTW12WFP3018XXXX

<b>Wattage</b>	13.5W
<b>CCT</b>	1800K
<b>Distribution</b>	24°

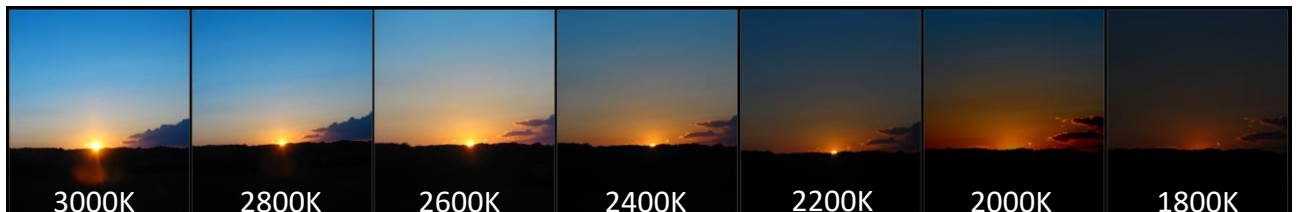


Change in CCT with respect to dimming profile



### DIM TO WARM

This feature allows for precise control of color temperature (CCT) based on power levels. At 3000K, the fixture delivers a full 1050 lumens, providing bright, invigorating light perfect for work and productivity. As you dim the light to 1800K, it transitions to a gentle glow, offering just 50 lumens—a warm, soft light ideal for hosting gatherings or unwinding in the evening. This smooth transition beautifully mimics the calming stages of a sunset, enhancing the ambiance of any space.



## TRACK LED LIGHT

Cylinder Track Head | 1.75" Aperture | Dim To Warm

### OVERVIEW



#### Innovative Design

- Aluminum die cast housing for better heat dissipation.
- Improved design extends LED and driver lifespan.



#### DIM TO WARM

- Dynamic Color Temperature: Smoothly transitions from 3000K to 1800K.
- Adjustable Brightness: Dims from 100% lumens to 5%.
- Cozy Atmosphere: Creates a warm, inviting environment, mimicking the soothing stages of a sunset



#### Multiple Options

- 13.5W powers.
- Variety of beam angles.
- Four CCTs available.
- Black, white, and silver finishes.
- Three bezel options: black, bronze, and gold.



#### Mountings Available

- Choose from any of the popular track systems such as Juno, Halo, Lightolier, or Global.
- Surface mount with either monopoint or duopoint adapters.



#### Tests And Certifications



#### Accessories

- Hex louvers and snouts to customize your track fixtures

