

# ELEGANZA SLIM

## Cylinder LED Light

### Architectural Round Cylinder | 2" Aperture | 10" Height

The Eleganza Slim is a 3-inch cylinder led light, that can be stem, surface or pendant mount. This cylinder is available with multiple distributions, color temperatures and comes in a variety of finishes. It offers 1200 lumens and can be tuned down to 600 lumens. Custom finish is available upon request.

Applications: Art Galleries | Show Rooms | Retail Stores | Hospitality | Education

	DATE	QTY	ACC. QTY	TYPE
PROJECT				
PN				
ACCESSORY PN				
NOTES				

DYNAMIC MENU	
Order Information	<a href="#">Page 2</a>
Dimensions	<a href="#">Page 3</a>
Photometric Data	<a href="#">Page 5</a>
Overview	<a href="#">Page 6</a>

[Install Instruction link](#)

### SPECIFICATIONS

Input Voltage	120-277V
Power Factor	>0.9
Total Harmonic Distortion	<20%
Dimming <a href="#">Page 4</a>	TRIAC & 0-10V Dimming
CRI	90 CRI
CCT	<div style="display: flex; gap: 10px;"> <div style="border: 1px solid black; border-radius: 50%; width: 20px; height: 20px; background-color: #ffff00; display: flex; align-items: center; justify-content: center;">30K</div> <div style="border: 1px solid black; border-radius: 50%; width: 20px; height: 20px; background-color: #00ffff; display: flex; align-items: center; justify-content: center;">35K</div> <div style="border: 1px solid black; border-radius: 50%; width: 20px; height: 20px; background-color: #0000ff; display: flex; align-items: center; justify-content: center;">40K</div> </div>
Efficacy	~80-85 lm/W
Power	15W
Ambient Temperature Range	-10°C to 35°C
Mounting Options	<a href="#">Stem</a>   <a href="#">Pendant</a>   <a href="#">Surface</a>
Fixture Finish	Black   White   Silver   Custom
	Spot   Narrow   Flood   Wide
Distribution	



PRODUCT FEATURES



Custom Color

### PRODUCT CERTIFICATIONS



### SYSTEM WARRANTY – 5 YEARS

Eralux will warrant defective drivers, LEDs and boards for 5 years from the date of purchase. This warranty is valid only if the fixture is installed and used as per installation guides and specifications. If a defect is present, Eralux will send drivers and boards at no fee with a thorough replacement instructions along with instructions on the return of the defective parts back to Eralux.

### LUMEN MAINTENANCE – L70 at 50,000 hours

Rated for 70% initial lumen output at 50,000 hours of operation, operated at 25°C ambient temperature; per guidelines published by the Illuminating Engineering Society (IES).

## Cylinder LED Light

Architectural Round Cylinder | 2" Aperture | 10" Height

### ORDERING GUIDE

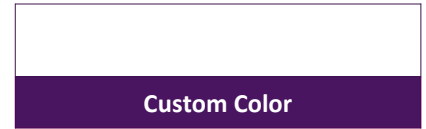
<b>AE-TL-EZS-10</b>					
<b>AE-TL-EZS-10</b> ERALUX ELEGANZA SLIM 10" Height Cylinder	<b>-SF</b> Surface Mount <b>-PC-12</b> Pendant   12' Aircraft Cable Adjustable 1-12' <b>-SM-01</b> Stem Mount   1' Stem <b>-SM-02</b> Stem Mount   2' Stem <b>-SM-03</b> Stem Mount   3' Stem <b>-SM-04</b> Stem Mount   4' Stem	<b>-15</b> 15W   1200 lm  Programmable down to 7W   600 lm	<b>-P30</b> 3000K <b>-P35</b> 3500K <b>-P40</b> 4000K  90 CRI	<b>SP</b> Spot   15° <b>NF</b> Narrow   25° <b>FL</b> Flood   40° <b>WF</b> Wide   60°	<b>BK</b> Black powder coat <b>WH</b> White powder coat <b>SV</b> Silver powder Coat <b>RALXXXX</b> Costum

<b>Fixture Family</b>	<b>Mounting</b>	<b>Power</b>	<b>CCT</b>	<b>Distribution</b>	<b>Finish</b>
-----------------------	-----------------	--------------	------------	---------------------	---------------

For Custom Eleganza Slim length, contact manufacturer.

### Custom Color Guide

 <b>RAL 6005</b> MOSS GREEN	 <b>RAL 6032</b> SIGNAL GREEN	 <b>RAL 6027</b> LIGHT GREEN	 <b>RAL 5003</b> SAPPHIRE BLUE	 <b>RAL 7001</b> SILVER GREY
 <b>RAL 7033</b> CEMENT GREY	 <b>RAL 7038</b> AGATE GREY	 <b>RAL 9001</b> CREAM	 <b>RAL 9006</b> SILVER	 <b>RAL 7040</b> WINDOW GREY
 <b>RAL 1015</b> LIGHT IVORY	 <b>RAL 2012</b> SALMON ORANGE	 <b>RAL 3031</b> ORIENT RED	 <b>RAL 8024</b> BEIGE BROWN	 <b>RAL 9003</b> SIGNAL WHITE
 <b>RAL 9007</b> GREY ALUMINIUM	 <b>RAL 9022</b> LIGHT PEARL GREY	 <b>RAL 9023</b> PEARL DARK GREY	 <b>RAL 7011</b> IRON GREY	 <b>RAL 9004</b> SIGNAL BLACK



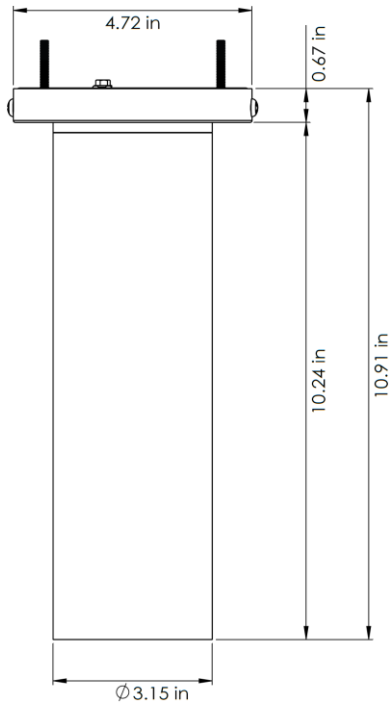
## Cylinder LED Light

Architectural Round Cylinder | 2" Aperture | 10" Height

### DIMENSIONS

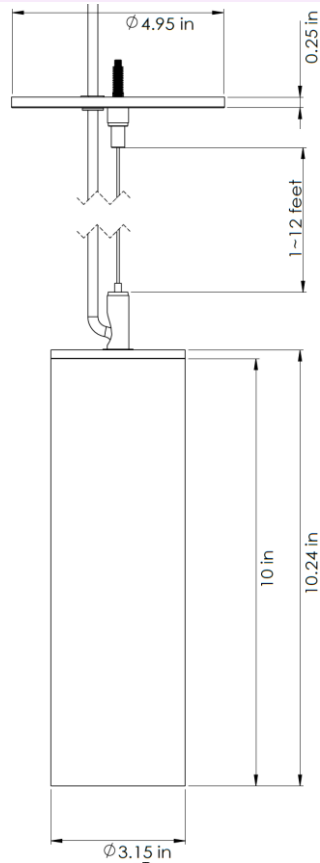
#### AE-TL-EZS-10

##### Surface mount



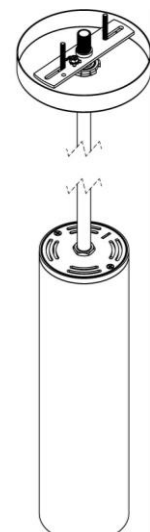
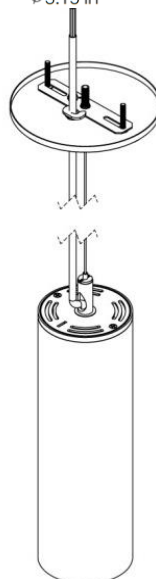
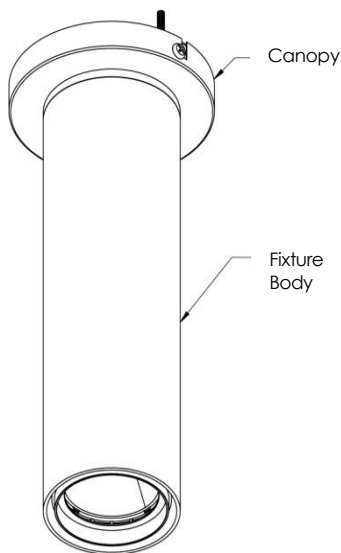
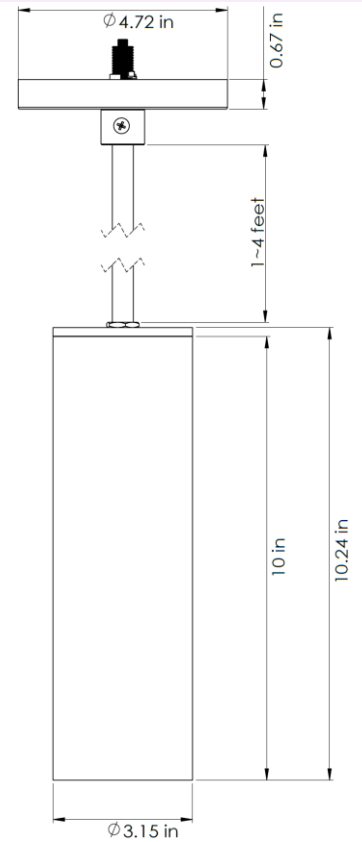
##### Pendant Cord

Cord: Adjustable length from 1 to 12'



##### Stem Mount

Stem: 0.5" thickness | 4 sizes; 1', 2', 3' & 4'



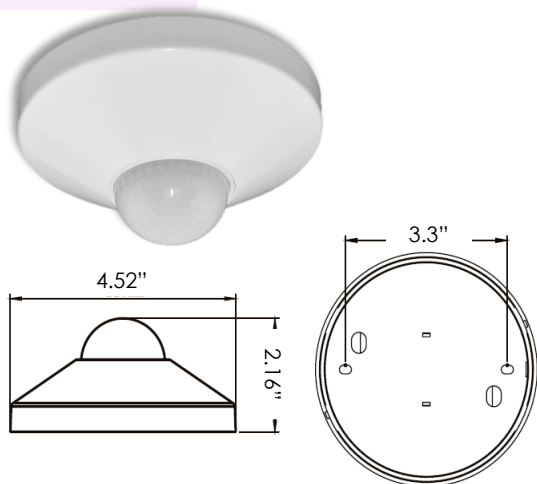
## Cylinder LED Light

Architectural Round Cylinder | 2" Aperture | 10" Height

### ROOM OCCUPANCY SENSOR

Ordered separately, field installed

PART NUMBER	DESCRIPTION
AE-CT-DT806	Detecta - Room Occupancy Sensor
RC102	RC102 Remote Control



SPECIFICATIONS		
<b>Input Voltage</b>	120-277 Vac	
<b>Power Frequency</b>	50/60HZ	
<b>Rated Load</b>	At 120 Vac	800W
	At 277 Vac	1200W
<b>Detection Range</b>	3-10 Meters	
	9.8-32.75 Feet	
<b>Standby Power</b>	~0.9W	
<b>Time Setting</b>	10 sec to 30 min	
<b>Light Control</b>	10-2,000LUX	
<b>Installation</b>	Ceiling Mounted	

### DIMMER COMPATIBILITY LIST

TRIAC/ELV Dimming

Brand	Model	Brand	Model
LUTRON	SLV-600X	LEVITON	6602-X
	S2-LX		6681-X
	GL-600H		6683-X
	NFTU-5A		6684-X
	DVLV-600P		700-X
COOPER	9530XXX		705-X
LIGHTOLIER	MP600X		6633
ADVANCE	SR150LED120		6674
			IPI06-1LZ

0-10V Dimming

Brand	Model
LUTRON, NOVA SERIES	NFTV
LUTRON, DIVA SERIES	DVTV
LEVITON, ILLUMATECH SERIES	IP710-DL

## Cylinder LED Light

Architectural Round Cylinder | 2" Aperture | 10" Height

### LUMEN ESTIMATE

Lumen output varies based on CCT and CRI. An estimate of lumen output of the various CCT/CRI combinations, use correction factors as per table below:

#### LUMEN ESTIMATE ADJUSTMENT FACTORS

CCT	2700K	3000K	3500K	4000K
90CRI	0.78	0.81	0.84	0.86

### PHOTOMETRIC DATA

PART NUMBER		ZONAL LUMEN SUMMARY			POLAR LUMINOUS INTENSITY	CONE DISTRIBUTION			
AE-TL-EZS10-XX-15-P30SP-XX		Zone	Lumens	% Fixture	Direct Light	Center Beam Fc		Beam Width	
Wattage	15W	0-20°	653.67	58.3		1.7ft	1976 fc	0.5 ft	0.5 ft
CCT	3000K	0-30°	897.32	80.1		3.3ft	524 fc	1.0 ft	1.0 ft
Distribution	15°	0-40°	1041.97	93		5.0ft	228 fc	1.5 ft	1.5 ft
		0-60°	1077.04	96.1		6.7ft	127 fc	2.0 ft	2.0 ft
		0-80°	1088.32	97.1		8.3ft	82.9 fc	2.5 ft	2.5 ft
		0-90°	1092.93	97.5		10.0ft	57.1 fc	3.0 ft	3.0 ft
						■ Vert. Spread: 16.9° ■ Horiz. Spread: 16.8°			

PART NUMBER		ZONAL LUMEN SUMMARY			POLAR LUMINOUS INTENSITY	CONE DISTRIBUTION			
AE-TL-EZS10-XX-15-P30NF-XX		Zone	Lumens	% Fixture	Direct Light	Center Beam Fc		Beam Width	
Wattage	15W	0-20°	612.31	56.9		1.7ft	1208 fc	0.7 ft	0.7 ft
CCT	3000K	0-30°	857.47	79.7		3.3ft	321 fc	1.4 ft	1.4 ft
Distribution	25°	0-40°	999.1	92.9		5.0ft	140 fc	2.2 ft	2.2 ft
		0-60°	1032.37	96		6.7ft	77.8 fc	2.9 ft	2.9 ft
		0-80°	1043.86	97		8.3ft	50.7 fc	3.6 ft	3.6 ft
		0-90°	1048.35	97.4		10.0ft	34.9 fc	4.3 ft	4.3 ft
						■ Vert. Spread: 24.4° ■ Horiz. Spread: 24.4°			

PART NUMBER		ZONAL LUMEN SUMMARY			POLAR LUMINOUS INTENSITY	CONE DISTRIBUTION			
AE-TL-EZS10-XX-15-P30FL-XX		Zone	Lumens	% Fixture	Direct Light	Center Beam Fc		Beam Width	
Wattage	15W	0-20°	566.46	53		1.7ft	788 fc	1.1 ft	1.1 ft
CCT	3000K	0-30°	854.16	79.9		3.3ft	209 fc	2.0 ft	2.1 ft
Distribution	40°	0-40°	997.24	93.3		5.0ft	91 fc	3.1 ft	3.1 ft
		0-60°	1024.69	95.8		6.7ft	50.7 fc	4.2 ft	4.2 ft
		0-80°	1036.06	96.9		8.3ft	33 fc	5.1 ft	5.2 ft
		0-90°	1040.73	97.3		10.0ft	22.8 fc	6.2 ft	6.2 ft
						■ Vert. Spread: 34.4° ■ Horiz. Spread: 34.6°			

PART NUMBER		ZONAL LUMEN SUMMARY			POLAR LUMINOUS INTENSITY	CONE DISTRIBUTION			
AE-TL-EZS10-XX-15-P30WF-XX		Zone	Lumens	% Fixture	Direct Light	Center Beam Fc		Beam Width	
Wattage	15W	0-20°	401.6	38.5		1.7ft	431 fc	2.0 ft	2.0 ft
CCT	3000K	0-30°	753.5	72.2		3.3ft	114 fc	3.9 ft	3.9 ft
Distribution	60°	0-40°	961.68	92.2		5.0ft	49.8 fc	5.9 ft	5.8 ft
		0-60°	999.06	95.7		6.7ft	27.7 fc	7.9 ft	7.8 ft
		0-80°	1010.54	96.9		8.3ft	18.1 fc	9.8 ft	9.7 ft
		0-90°	1015.18	97.3		10.0ft	12.5 fc	11.8 ft	11.7 ft
						■ Vert. Spread: 60.9° ■ Horiz. Spread: 60.6°			

## Cylinder LED Light

Architectural Round Cylinder | 2" Aperture | 10" Height

### OVERVIEW



### Innovative Design

- Aluminum die cast housing for better heat dissipation.
- Improved design extends LED and driver lifespan.

### Multiple Options

- 15W power | 1,200 Lumens
- Variety of beam angles.
- Three CCTs available.
- Black, white, and silver finishes.

### Mountings Options

- Surface mount.
- Stem mount; 1', 2', 3', and 4' (0.5" thickness).
- Pendant cord mount; adjustable 1-12' cord.



### Feature

- Customized color
- Tunable Power down to 7W | 600 lm upon request



### Tests And Certifications

