

# HUBBLE

## TRACK LIGHTING

Track Fixture



eralux®



The HUBBLE series feature the adjustable beam angle capability enabling field adjustment of the beam angle without any tools. The beam angle can be made to vary between a narrow flood, flood and a wide flood distribution. This product comes at a standard at 90 CRI, but also caters to lighting experts with a high-GAI (Gamut Area Index) option for an enhanced visual effect on products.

DATE	
PROJECT NAME	
<b>TYPE</b>	
QTY	
ORDERING CODE	AE-TL-HB12VAP

### OPERATING & ELECTRICAL

INPUT VOLTAGE	120 V
POWER FACTOR	0.9
DIMMING	Triac dimming
TOTAL HARMONIC DISTORTION (THD)	<20%

### PERFORMANCE

LUMENS PER WATT	85-91 LPW at 90CRI
POWER CONSUMPTION	30W
DISTRIBUTION	Variable from 20° to 55°

### MECHANICAL & HOUSING

HOUSING	Die casting aluminum for increased rigidity and strength
LENS	High translucent tempered glass lenses ensures high efficiency light output for a clean, evenly illuminated surface with minimal glare
FINISH	Black, White, Silver
POWER SUPPLY	Factory wired electronic LED driver
LED BOARD	COB

### APPLICATION CONDITION

AMBIENT TEMPERATURE RANGE	-10 °C to 35°C
---------------------------	----------------

### COMPATIBLE MOUNTING

MOUNTING	Juno Global Halo Lightolier
----------	--------------------------------------

### WARRANTY

#### SYSTEM WARRANTY – 5 YEARS

Eralux will warrant defective drivers, LEDs and boards for 5 years from the date of purchase. This warranty is valid only if the fixture is installed and used as per installation guides and specifications. If a defect is present, Eralux will send drivers and boards at no fee with a thorough replacement instructions along with instructions on the return of the defective parts back to Eralux.

#### LUMEN MAINTENANCE – L70 at 50,000 hours

Rated for 70% initial lumen output at 50,000 hours of operation, operated at 25°C ambient temperature; per guidelines published by the Illuminating Engineering Society (IES)

DATE				
PROJECT NAME				
<b>TYPE</b>				
QTY				
ORDERING CODE	AE-TL-HB12VAP			

## ORDERING GUIDE

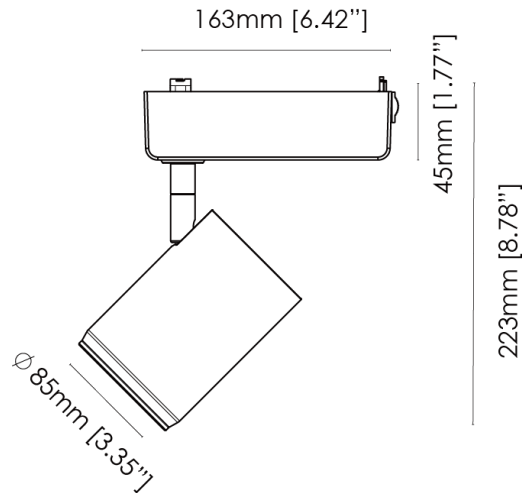
EXAMPLE: AE-TL-HB12VAP30J1BK

FIXTURE FAMILY	VOLTAGE	DISTRIBUTION	CRI	CCT	ADAPTER	FINISH
<b>AE-TL-HB</b>	<b>12</b>	<b>VA</b>	<b>P</b>			
<b>AE-TL-HB</b> ERALUX Hubble Series track light with up to 2,730 lumens	<b>12</b> 120V	<b>VA</b> Variable distribution from 20° to 55° AT 20°: .CBCP: 10788 @ 90 CRI AT 55°: .CBCP: 2723 @ 90 CRI	<b>P</b> Premium 90 CRI	<b>27</b> 2700K CCT	<b>J1</b> Juno mounting system	<b>BK</b> Black powder coat finish
				<b>30</b> 3000K CCT	<b>G1</b> Global mounting system	<b>WH</b> White powder coat finish
				<b>35</b> 3500K CCT	<b>H1</b> Halo mounting system	<b>SV</b> Silver powder coat finish
				<b>40</b> 4000K CCT	<b>L1</b> Lightolier mounting system	

## PRODUCT DIMENSIONS

AE-TL-HB12VAP30X1XX

Weight: 1.223 kg



DATE				
PROJECT NAME				
<b>TYPE</b>				
QTY				
ORDERING CODE	AE-TL-HB12VAP			

## LUMEN ESTIMATE

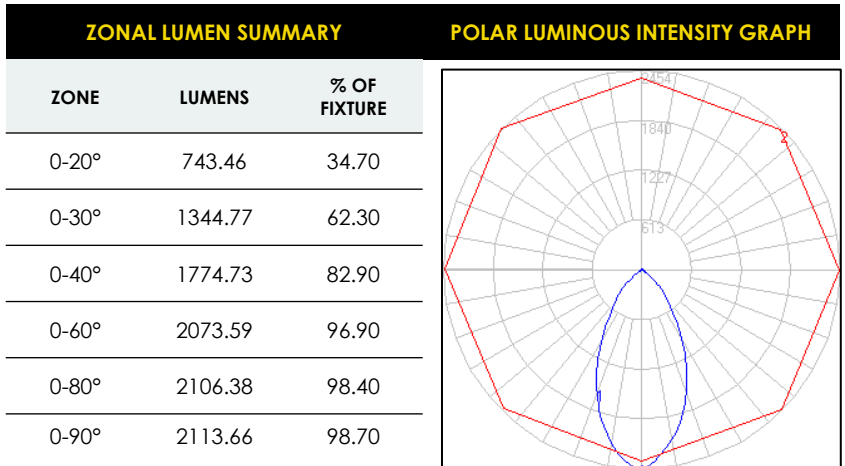
Lumen output varies based on CCT and CRI. An estimate of lumen output of the various CCT/CRI combinations, use correction factors as per table below:

LUMEN ESTIMATE ADJUSTMENT FACTORS				
CCT	2700K	3000K	3500K	4000K
PREMIUM (90CRI)	0.8	0.86	0.93	0.93
SUPERIOR (HIGH GAI)	N/A	0.73	0.78	N/A

## PHOTOMETRIC DATA

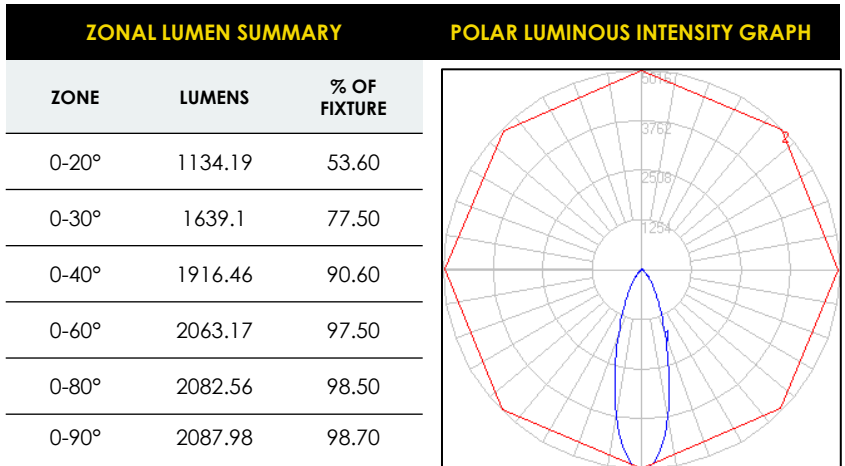
AE-TL-HB12VAP30XXXX

Flood 25°



AE-TL-HB12VAP30XXXX

Narrow Flood 18°



DATE				
PROJECT NAME				
<b>TYPE</b>				
QTY				
ORDERING CODE	AE-TL-HB12VAP			

## DIMMER COMPATIBILITY LIST

TRIAC/ELV Dimmer @120VAC
Lutron S-603PG
Lutron DVELV-303P
Lutron CT-103P
Leviton IPI06-1LZ
Lutron SELV-300P
Cooper SLC03P
Leviton 6631-2
Leviton 6683-IW
Leviton IPE04
Cooper DLC03P
Lutron LG-600P

TRIAC/ELV Dimmer @120VAC
Lutron DVCL-153P
Leviton 6161
Lutron MAELV-600
Leviton 6633-P
Lutron FAELV-500
Lutron TGCL-153P
Lutron TG-600P
Lightolier ZP260QEW
Lutron S-600P
Leviton VPE06

0-10V Dimmer @120VAC
Lutron, Nova series (part number NFTV)
Lutron, Diva series (part number DDTV)
Leviton, IllumaTech series (part number IP710-DL)

DATE			
PROJECT NAME			
<b>TYPE</b>			
QTY			
ORDERING CODE	AE-TL-HB12VAP		

## OVERVIEW



### **MULTIPLE MOUNTING ADAPTERS**

Choose from any of the popular track systems such as Juno, Halo, Lightolier, or Global.

### **PAINT FINISH**

Factory standard in black, white, and silver. Contact for custom paint finishes to enhance your fixture to suit your project space.

### **PREMIUM DESIGN**

Aluminum die-cast materials selected for efficient thermal heat dissipation, enhanced structural rigidity maximizing LED life and driver function.

### **MULTIPLE OPTIONS**

Customize your track head by selecting from a variety of CCT, CRI, and finish options.

### **FLEXIBILITY**

Adjust the trackhead's aperture to adjust the beam angle from 20 to 55 degree.

